



US00D943549S

(12) **United States Design Patent**
Susterman

(10) **Patent No.:** **US D943,549 S**

(45) **Date of Patent:** **** *Feb. 15, 2022**

(54) **SPEAKER ENCLOSURE**

(71) Applicant: **Spirit, LLC**, Miami Gardens, FL (US)

(72) Inventor: **Alberto Susterman**, Miami Gardens, FL (US)

(73) Assignee: **Spirit, LLC**, Miami Gardens, FL (US)

(*) Notice: This patent is subject to a terminal disclaimer.

(**) Term: **15 Years**

(21) Appl. No.: **29/731,490**

(22) Filed: **Apr. 15, 2020**

(51) **LOC (13) Cl.** **14-01**

(52) **U.S. Cl.**
USPC **D14/216**; D14/204

(58) **Field of Classification Search**
USPC D14/155–159, 160–173, 187–188,
D14/203.1–203.8, 204–216, 217–222,
D14/225–229, 356–358, 361, 362, 365,
D14/367, 370, 388, 496; D13/103,
D13/107–108

CPC H04R 1/02; H04R 1/021; H04R 1/025;
H04R 1/026; H04R 1/028; H04R 1/06;
H04R 1/105; H04R 1/323; H04R 1/403;
H04R 1/2803; H04R 1/2834

See application file for complete search history.

(56) **References Cited**

U.S. PATENT DOCUMENTS

D317,915 S *	7/1991	Grimes	D14/163
D387,349 S *	12/1997	Yuen	D14/168
D506,748 S *	6/2005	Garretson	D14/221
D506,993 S *	7/2005	Suzuki	D14/221
D644,207 S *	8/2011	Odell	D14/216
D763,831 S *	8/2016	Cherry, II	D14/221
D858,487 S *	9/2019	Proni	D14/219

D876,397 S *	2/2020	Susterman	
D929,960 S *	9/2021	Susterman D14/216
D936,032 S *	11/2021	Xiong D14/204
2020/0363054 A1 *	11/2020	Wilson H04R 1/028

OTHER PUBLICATIONS

BOSS Audio Systems, date first available: Apr. 28, 2015, [retrieved Jun. 15, 2021], Retrieved from Internet, URL: <https://www.amazon.com/BOSS-Audio-MRWT40-Weatherproof-Waketower/dp/B00VV6YQAW/ref=pd_sbs_12/145-1368511-6281309?pd_rd_w=A28%E2%80%A6> (Year: 2015).*

DS18 Hydro FLMB/B Black Universal Flat Mount, date first available: Mar. 31, 2017, [retrieved Jun. 15, 2021], Retrieved from Internet, URL: <https://www.amazon.com/DS18-FLMB-Universal-Elements-Applications/dp/B06XYGH7SS> (Year: 2017).*

* cited by examiner

Primary Examiner — Barbara Fox

Assistant Examiner — Aram Kwon

(74) *Attorney, Agent, or Firm* — Bay State IP, LLC

(57) **CLAIM**

The ornamental design for a speaker enclosure, as shown and described.

DESCRIPTION

FIG. 1 is a top perspective view of a speaker enclosure showing my new design;

FIG. 2 is a bottom perspective view thereof;

FIG. 3 is a front view thereof;

FIG. 4 is a back view thereof;

FIG. 5 is a side view thereof; and,

FIG. 6 is a top view thereof.

The broken lines in the drawings depict portions of the speaker enclosure that form no part of the claimed design.

1 Claim, 6 Drawing Sheets

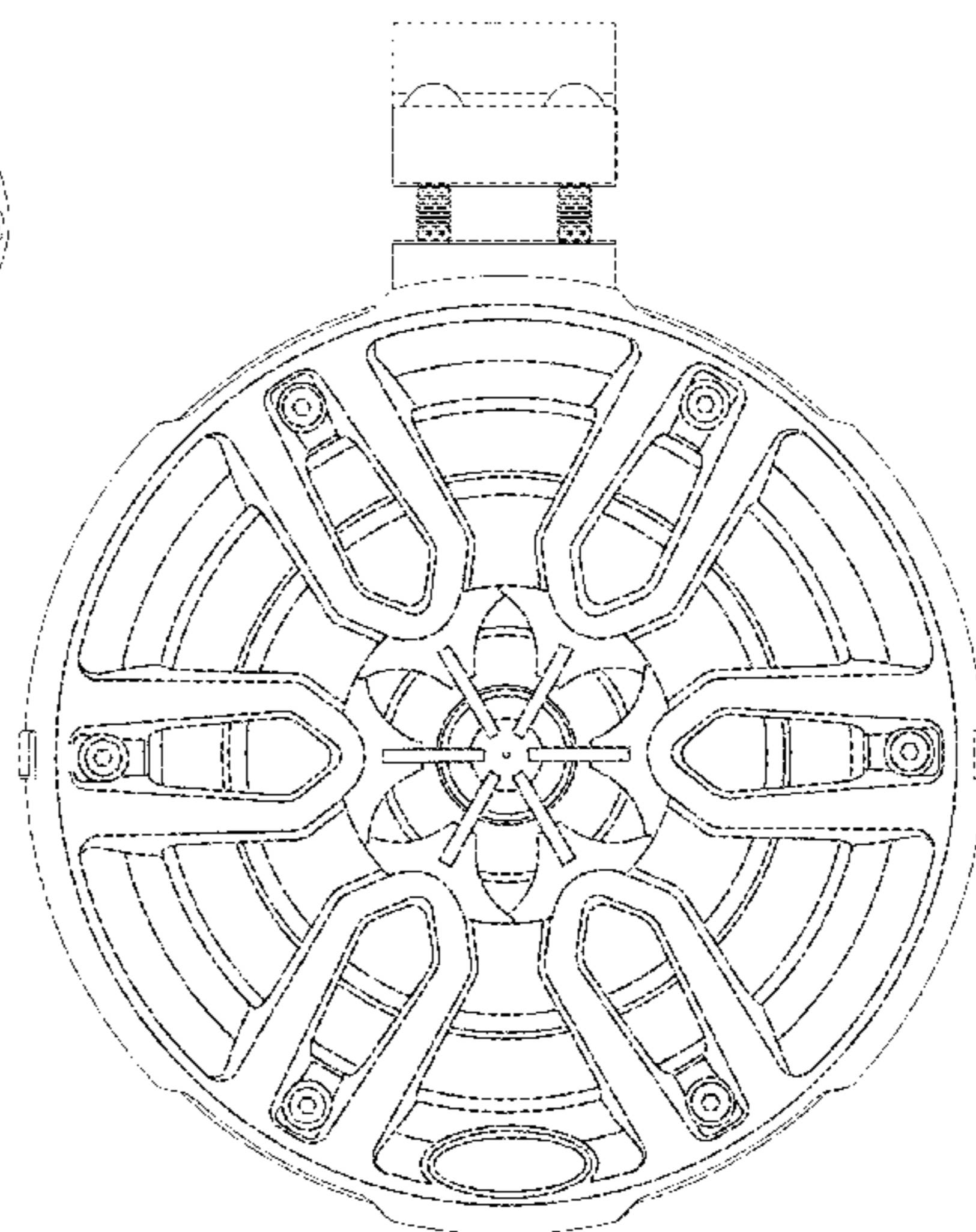
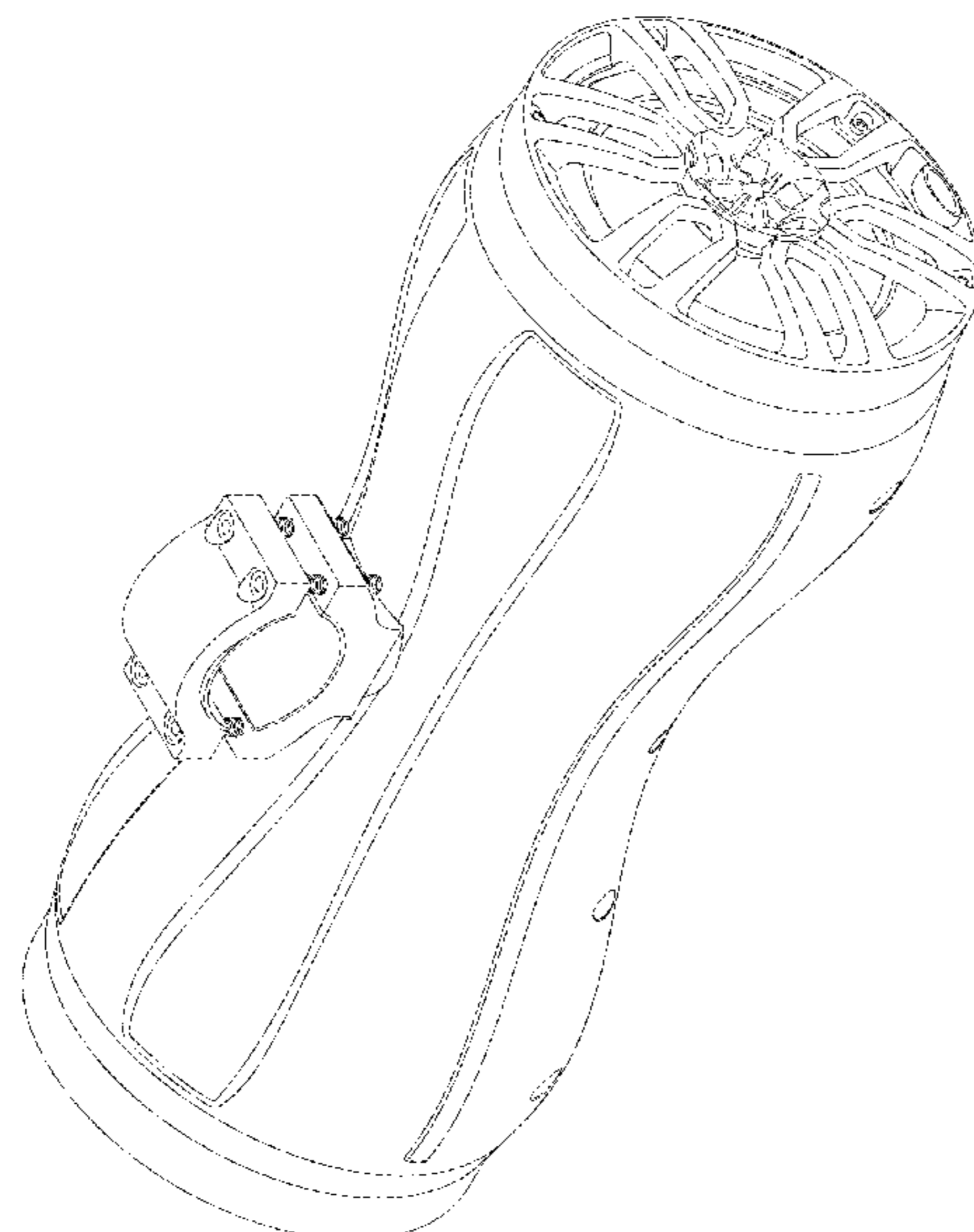


FIG. 1

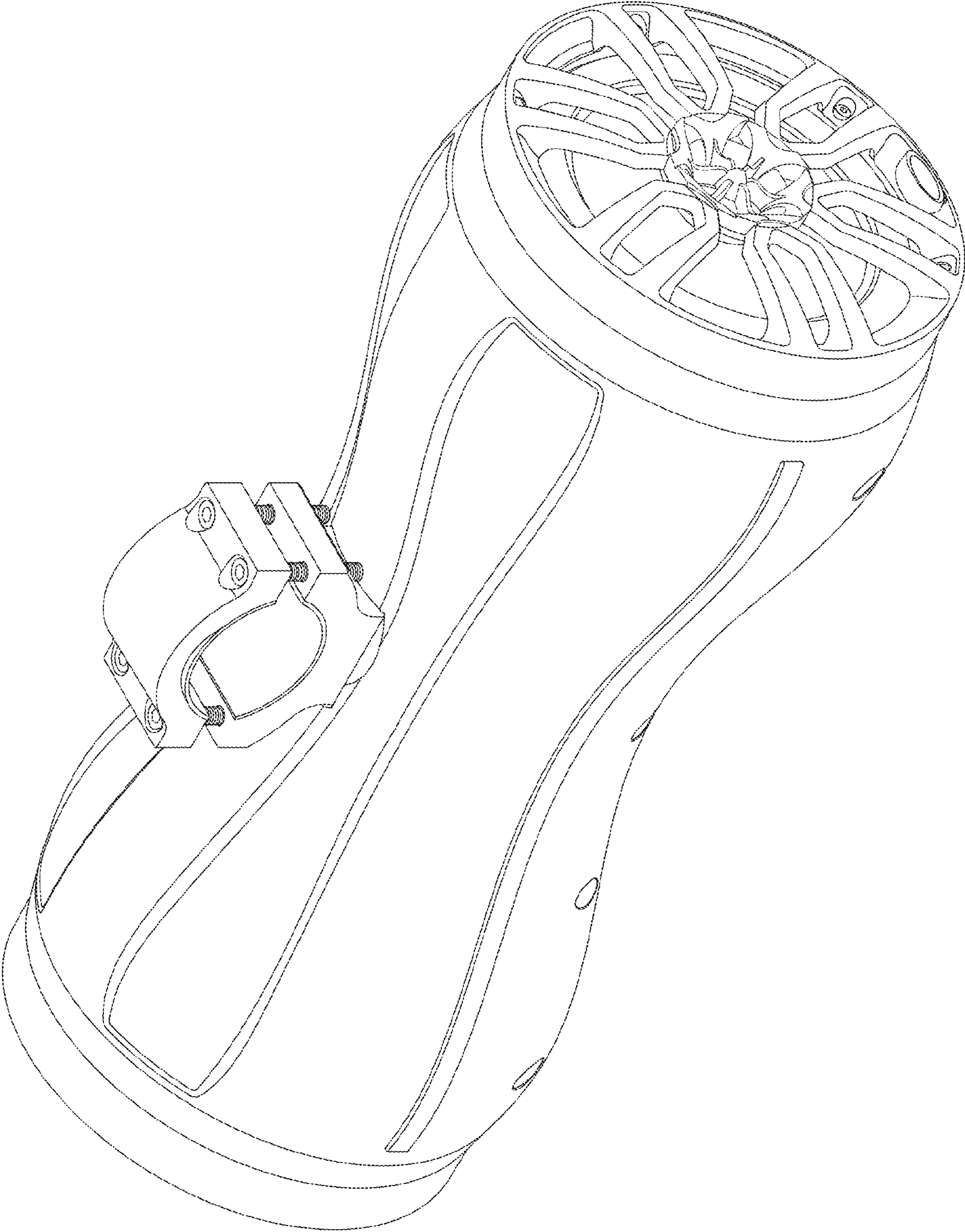


FIG. 2

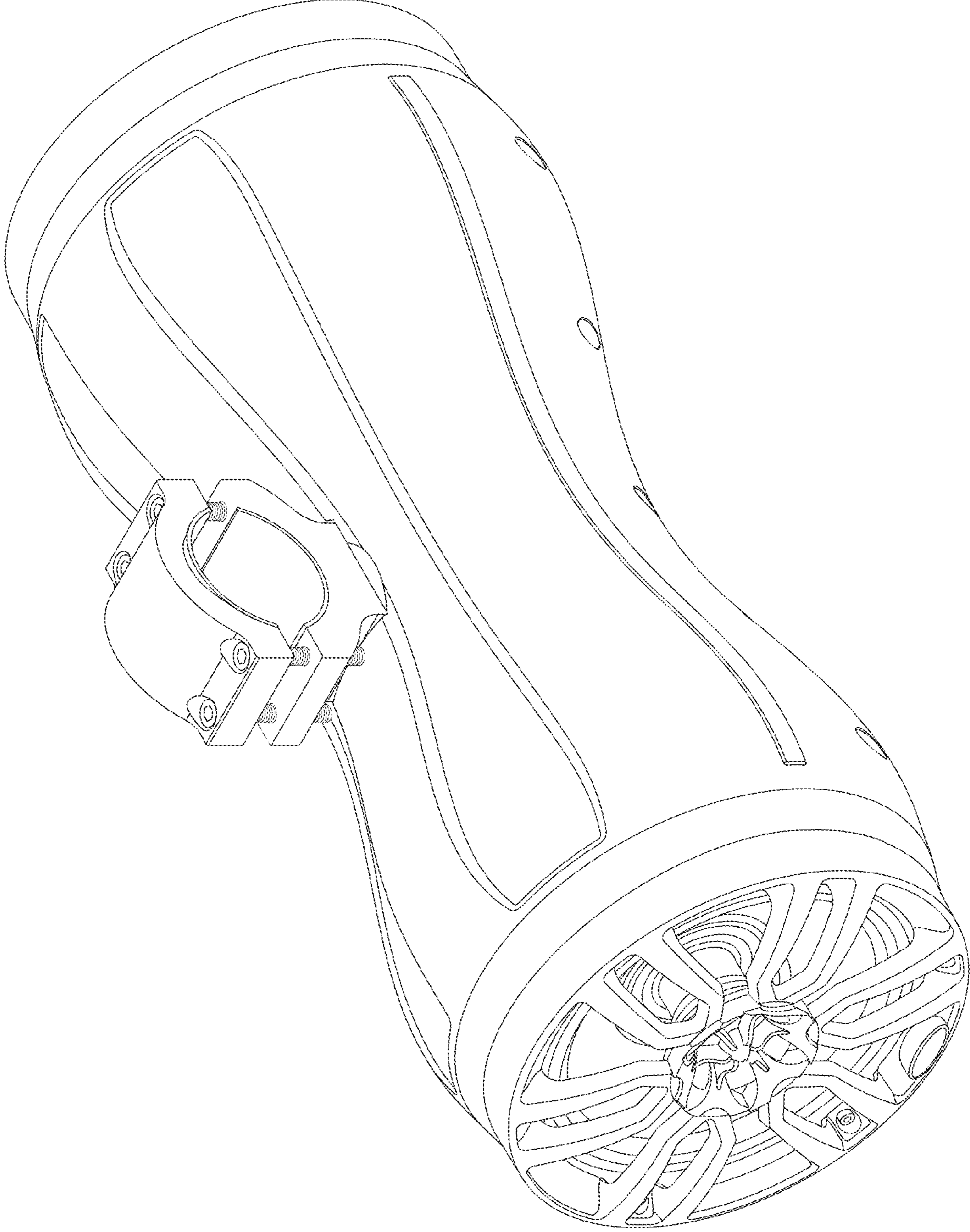
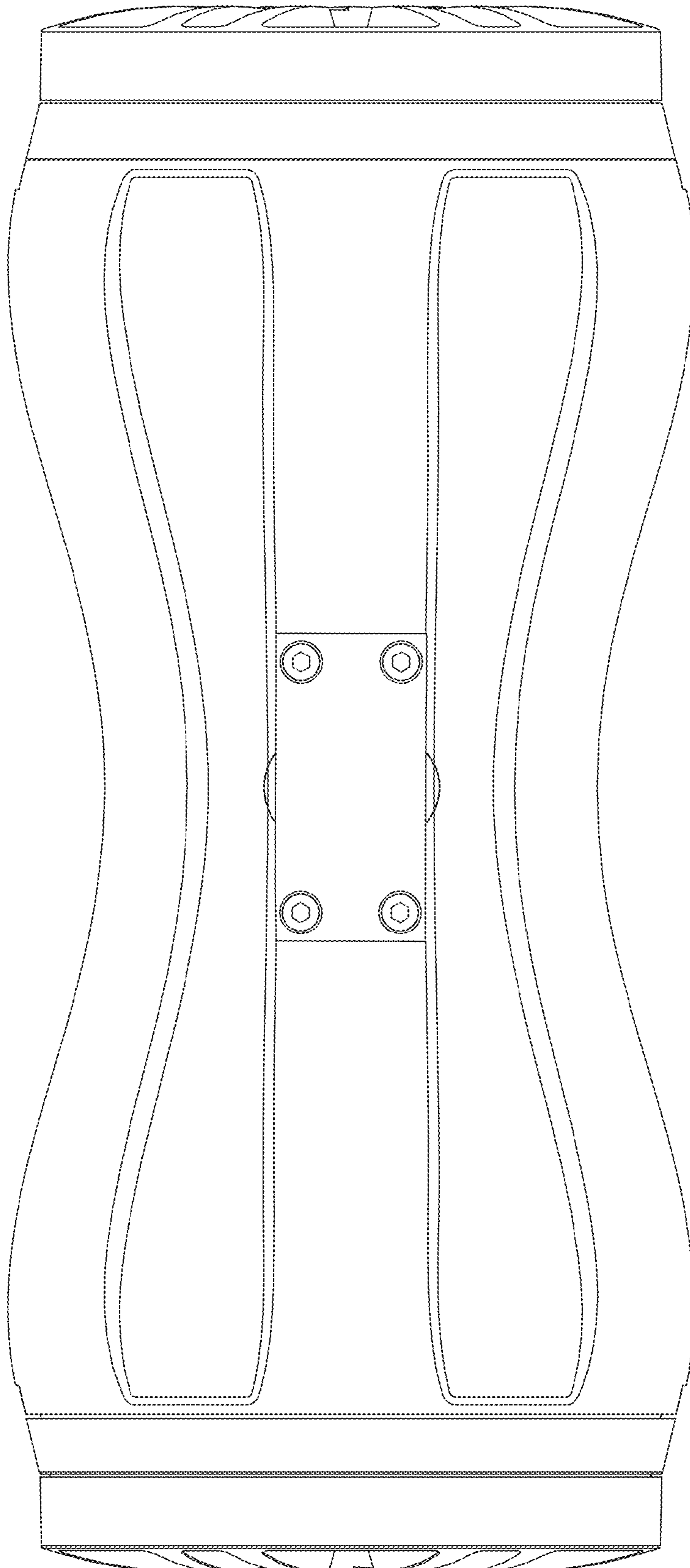


FIG. 3



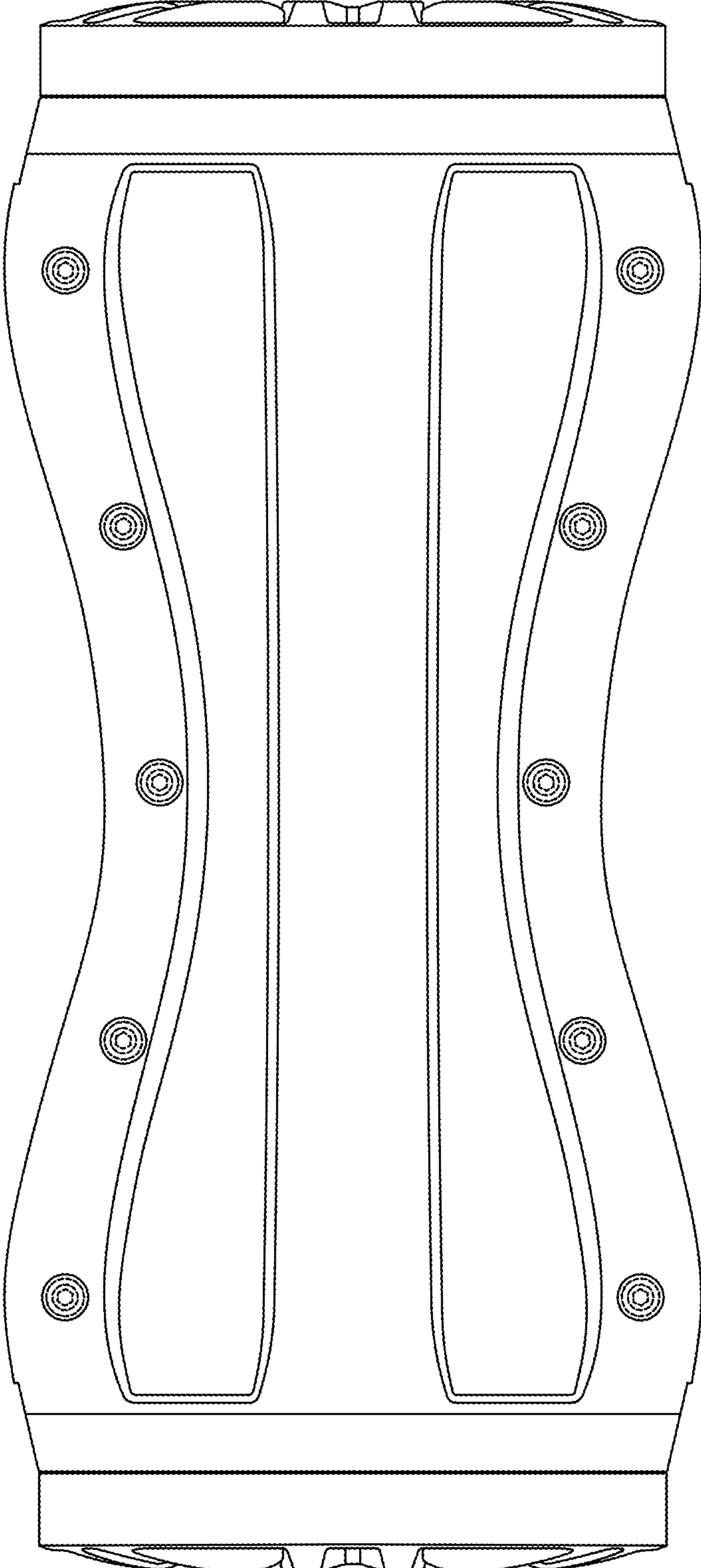


FIG. 4

FIG. 5

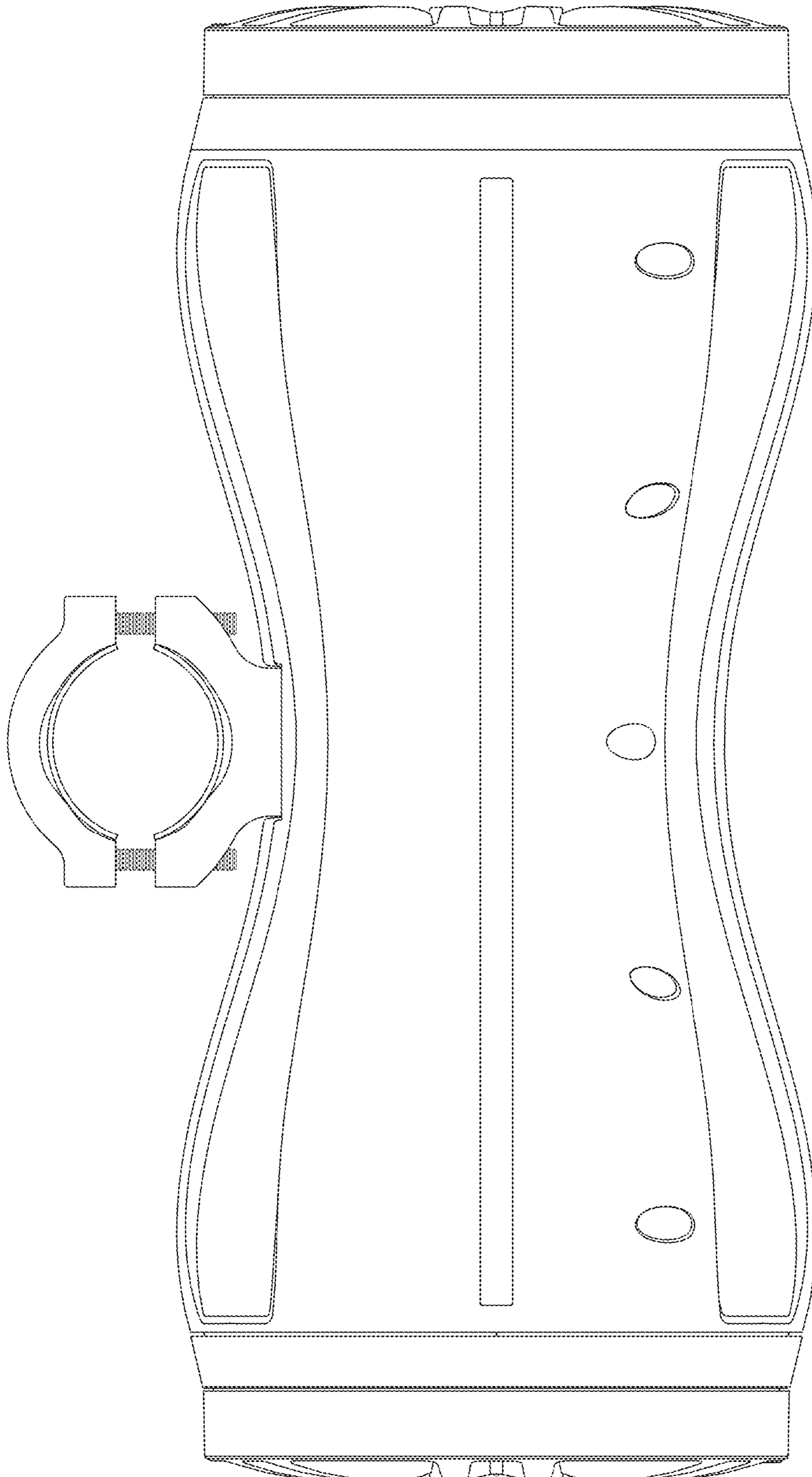


FIG. 6

