



US00D943548S

(12) **United States Design Patent**
Wang

(10) **Patent No.:** **US D943,548 S**
(45) **Date of Patent:** **** Feb. 15, 2022**

(54) **HEADPHONE**

(71) Applicant: **RAZER (ASIA-PACIFIC) PTE. LTD.**,
Singapore (SG)

(72) Inventor: **Eugene Hanjie Wang**, Singapore (SG)

(73) Assignee: **RAZER (ASIA-PACIFIC) PTE. LTD.**,
Singapore (SG)

(**) Term: **15 Years**

(21) Appl. No.: **29/733,804**

(22) Filed: **May 6, 2020**

(51) **LOC (13) Cl.** **14-01**

(52) **U.S. Cl.**

USPC **D14/205**; D14/226

(58) **Field of Classification Search**

USPC D14/206, 205, 226, 227, 188, 192;
D29/112, 122; 2/209; 381/380, 381,
(Continued)

(56) **References Cited**

U.S. PATENT DOCUMENTS

2,009,325 A * 7/1935 Sachs A41F 9/002
2/301
2,782,423 A * 2/1957 Simon A61F 11/14
2/209

(Continued)

FOREIGN PATENT DOCUMENTS

EM 006929642-0001 * 9/2019
EM 008251870-0001 * 11/2020

(Continued)

Primary Examiner — Paula Allen Greene

(74) *Attorney, Agent, or Firm* — Polsinelli PC

(57) **CLAIM**

I claim the ornamental design for a headphone, as shown and described.

DESCRIPTION

FIG. 1 is a perspective view of a first embodiment of a headphone showing the new design, with stitching on the headphone headband;

FIG. 2 is a front elevational view thereof;

FIG. 3 is a rear elevational view thereof;

FIG. 4 is a left side elevational view thereof;

FIG. 5 is a right side elevational view thereof;

FIG. 6 is a top plan view thereof;

FIG. 7 is a bottom plan view thereof; and

FIG. 8 is a second, perspective view thereof, showing the slider in the extended position.

FIG. 9 is a perspective view of a second embodiment of a headphone showing the new design, the only differences from FIG. 1 being the headphone ear cup caps and headband;

FIG. 10 is a front elevational view thereof;

FIG. 11 is a rear elevational view thereof;

FIG. 12 is a left side elevational view thereof;

FIG. 13 is a right side elevational view thereof;

FIG. 14 is a top plan view thereof; and

FIG. 15 is a bottom plan view thereof.

FIG. 16 is a perspective view of a headphone of FIG. 9 with the headphone slider in an alternate position thereof;

FIG. 17 is a front elevational view thereof;

FIG. 18 is a rear elevational view thereof;

FIG. 19 is a left side elevational view thereof;

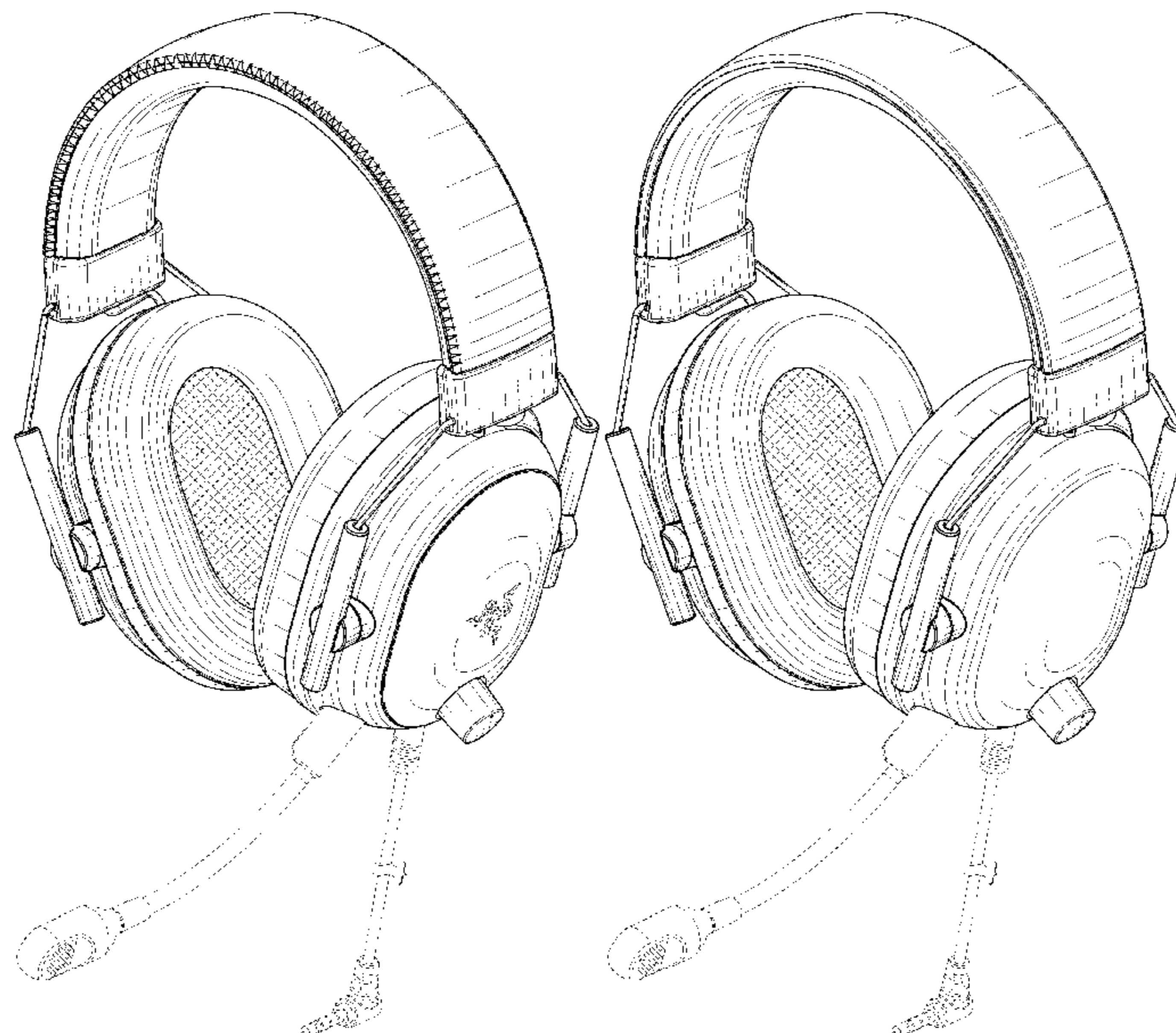
FIG. 20 is a right side elevational view thereof;

FIG. 21 is a top plan view thereof; and,

FIG. 22 is a bottom plan view thereof.

The broken lines immediately adjacent the shaded areas represent the bounds of the claimed design while all other broken lines are directed to environment; the broken lines form no part of the claimed design.

1 Claim, 22 Drawing Sheets



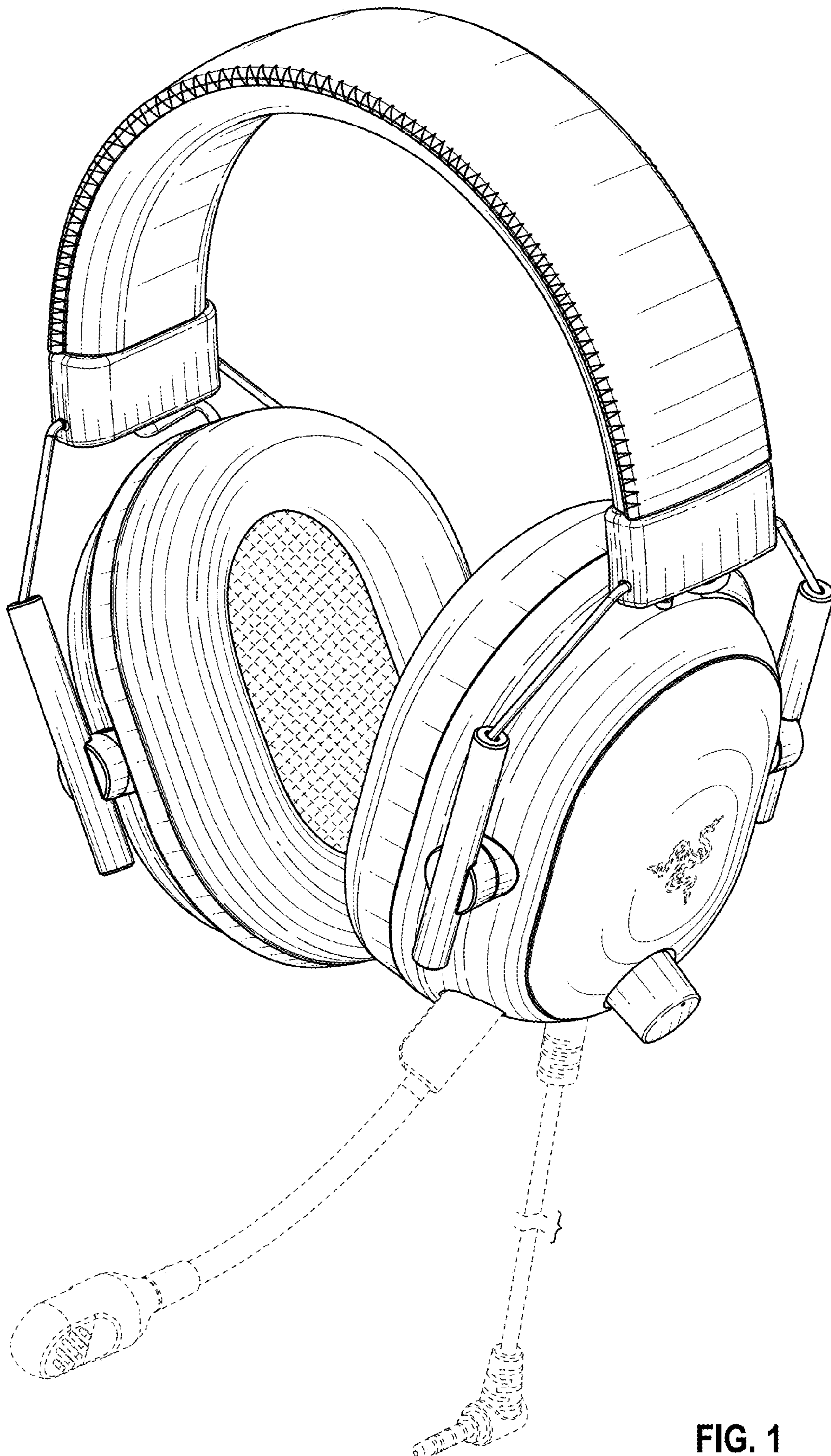


FIG. 1



FIG. 2



FIG. 3

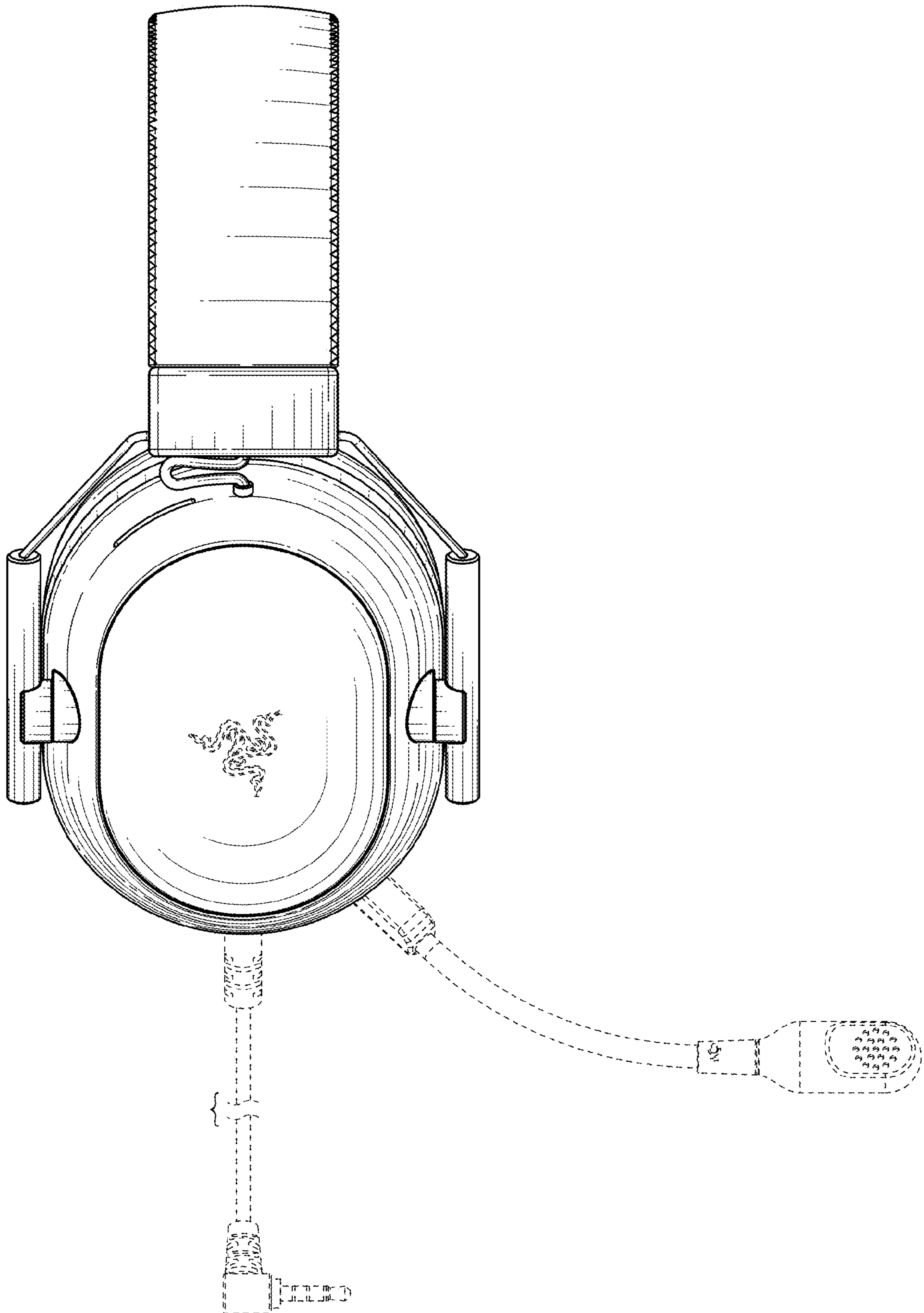


FIG. 4

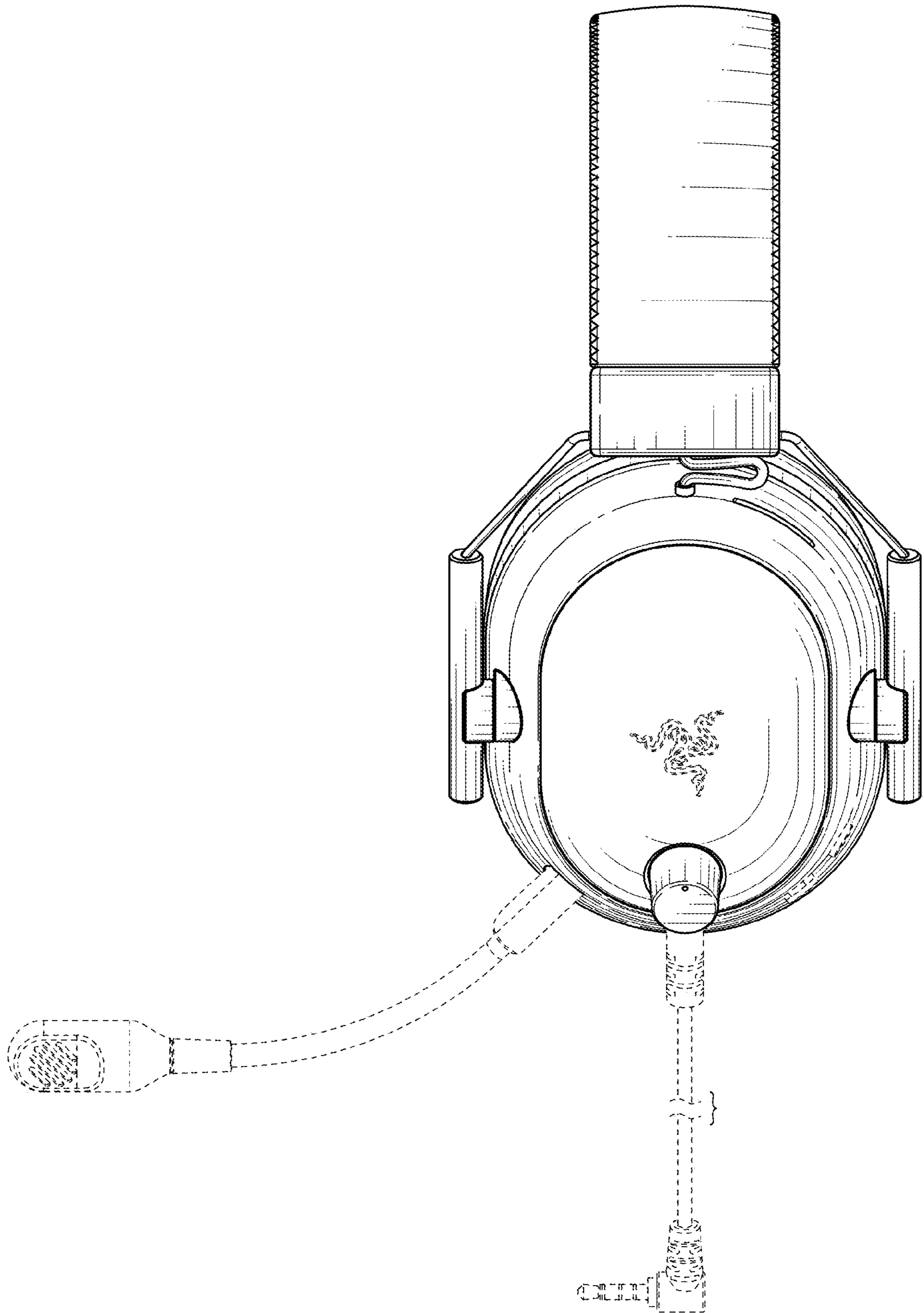


FIG. 5

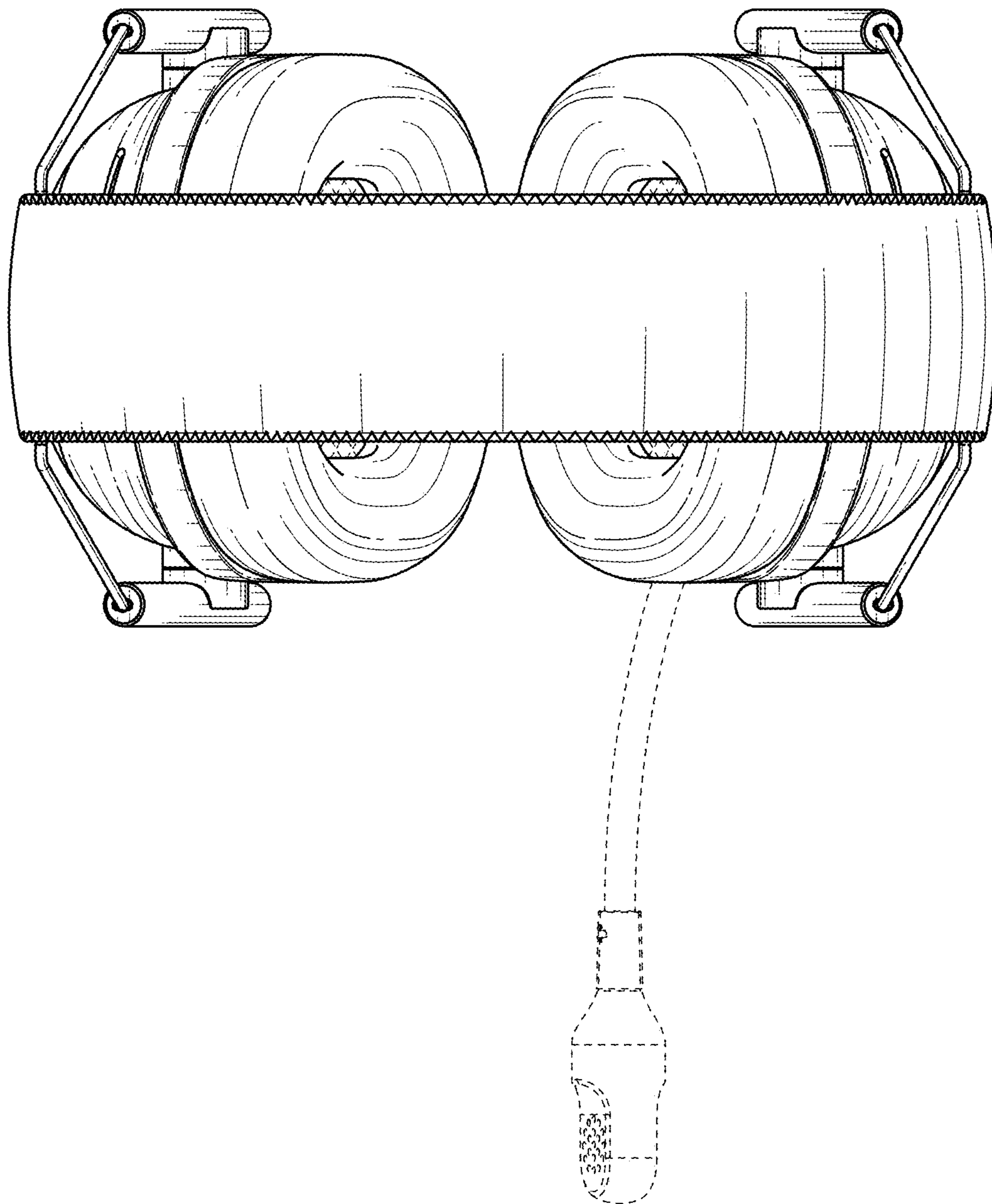


FIG. 6

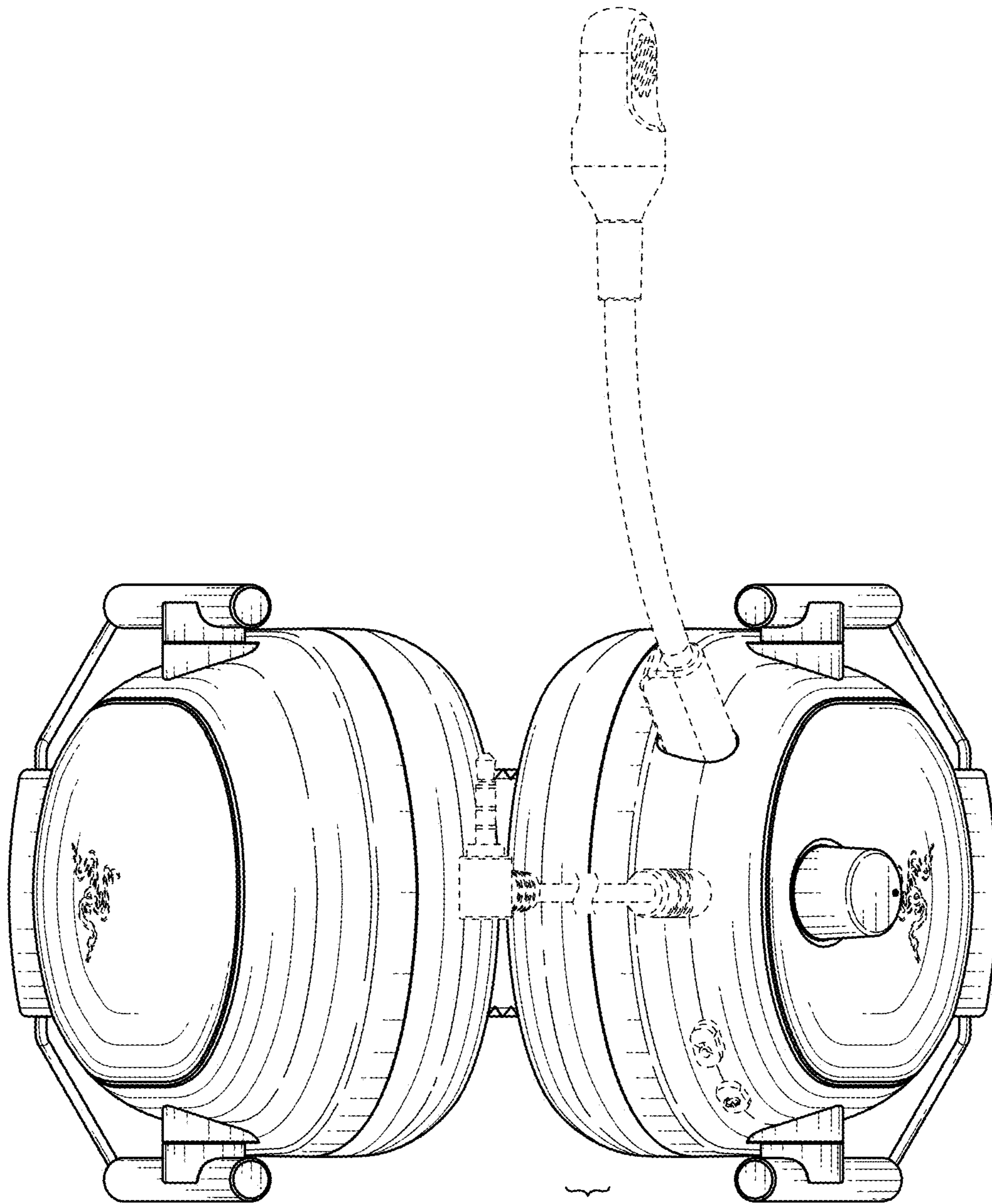


FIG. 7

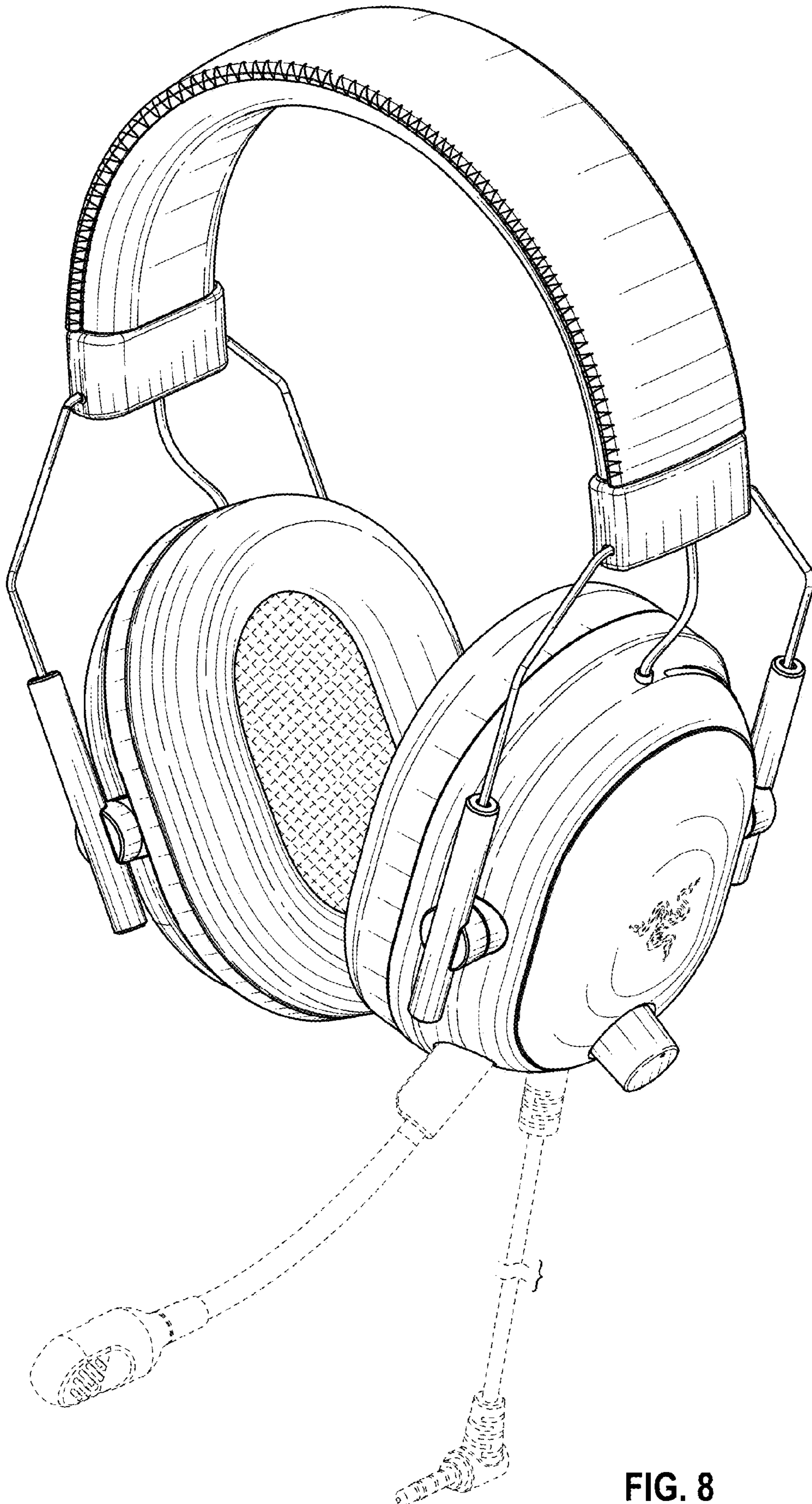


FIG. 8

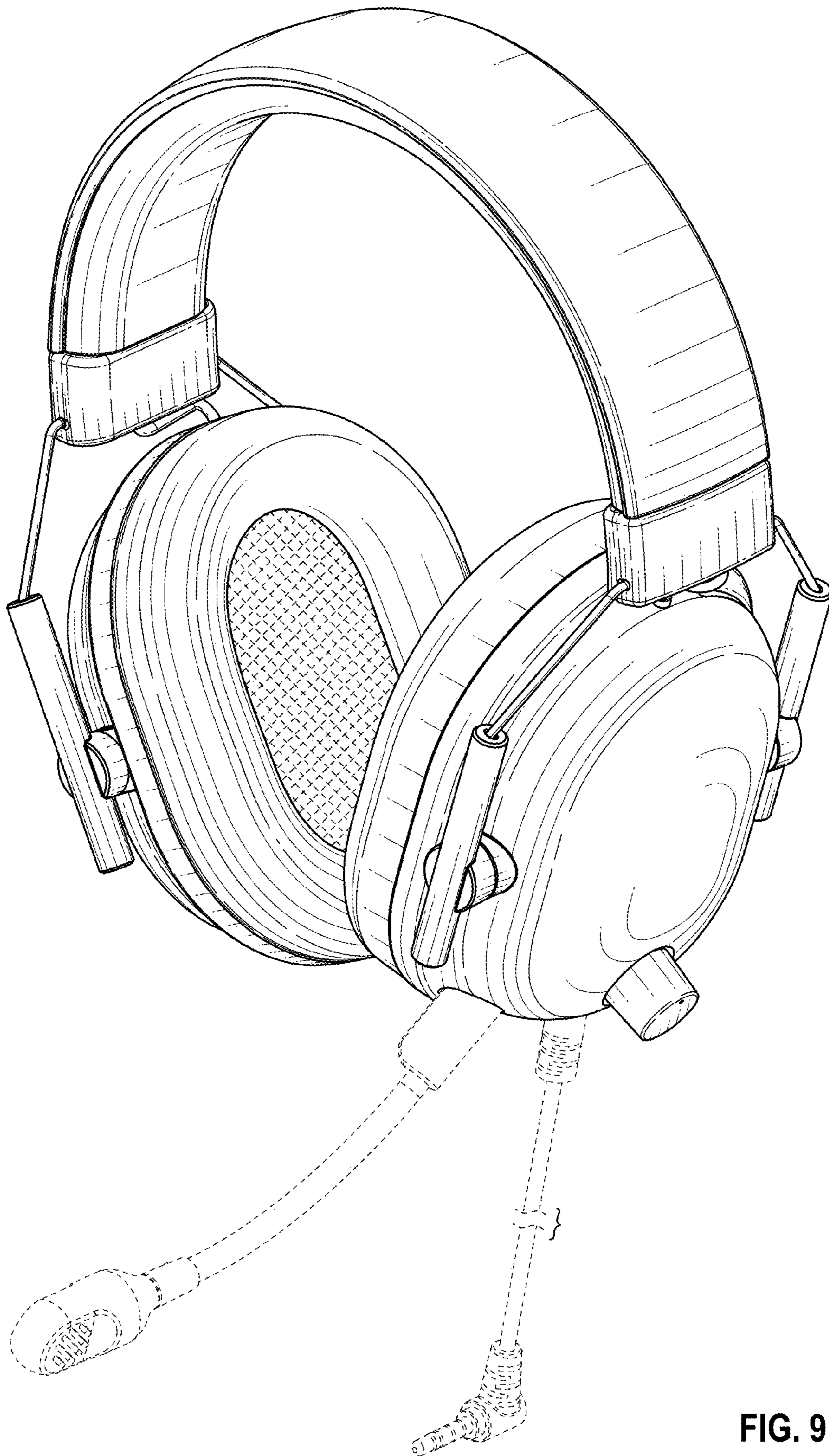


FIG. 9

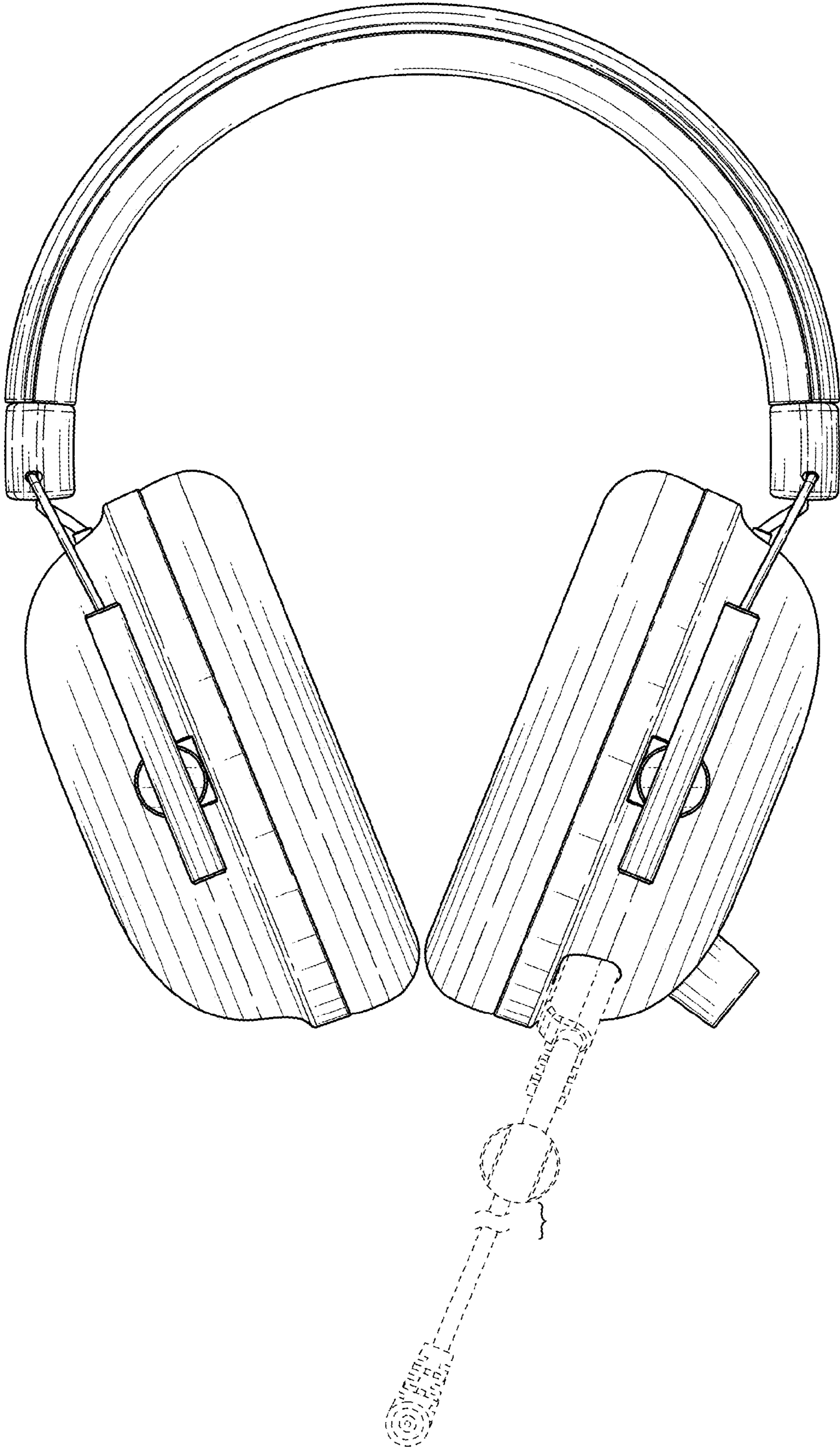


FIG. 10



FIG. 11

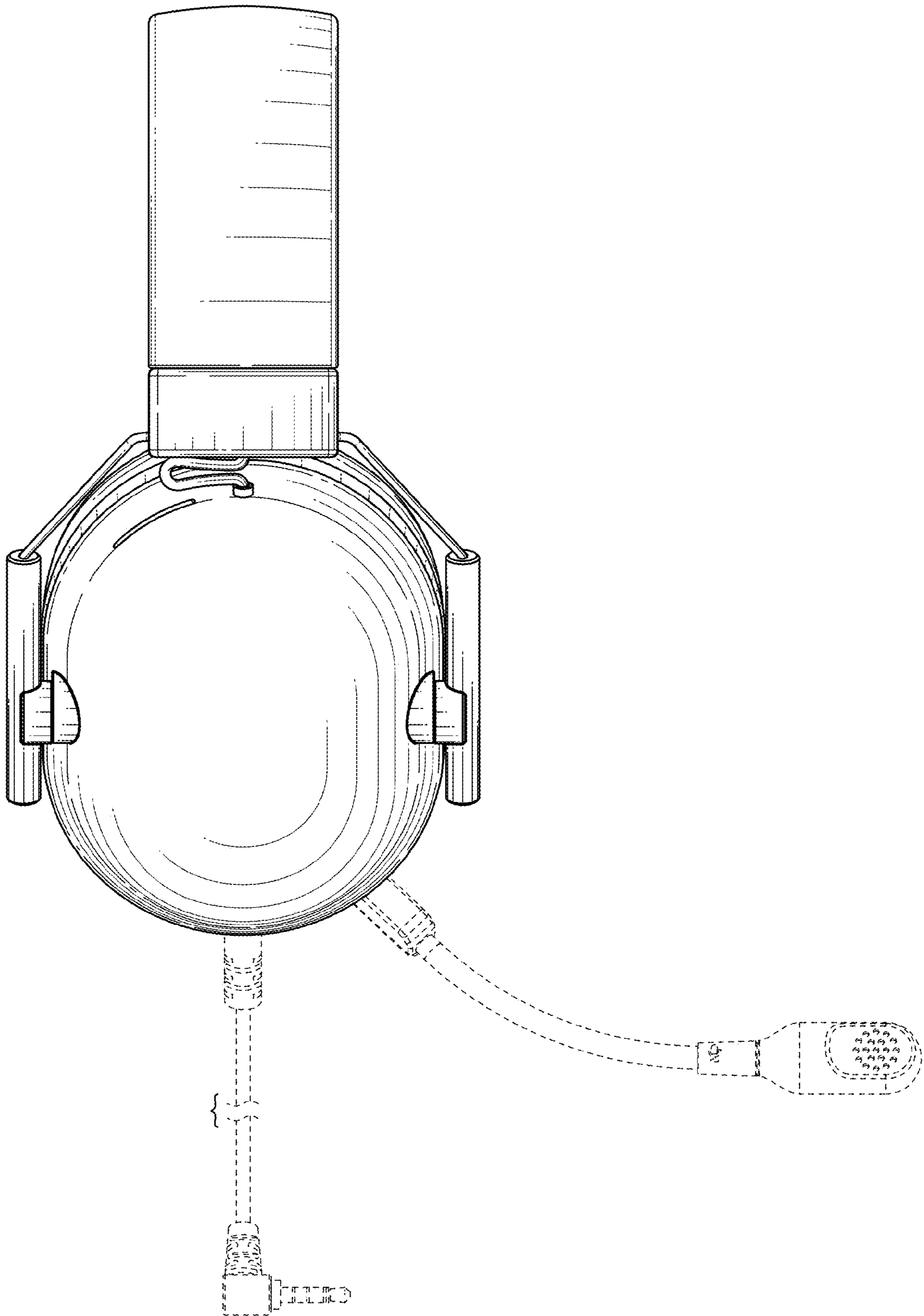


FIG. 12

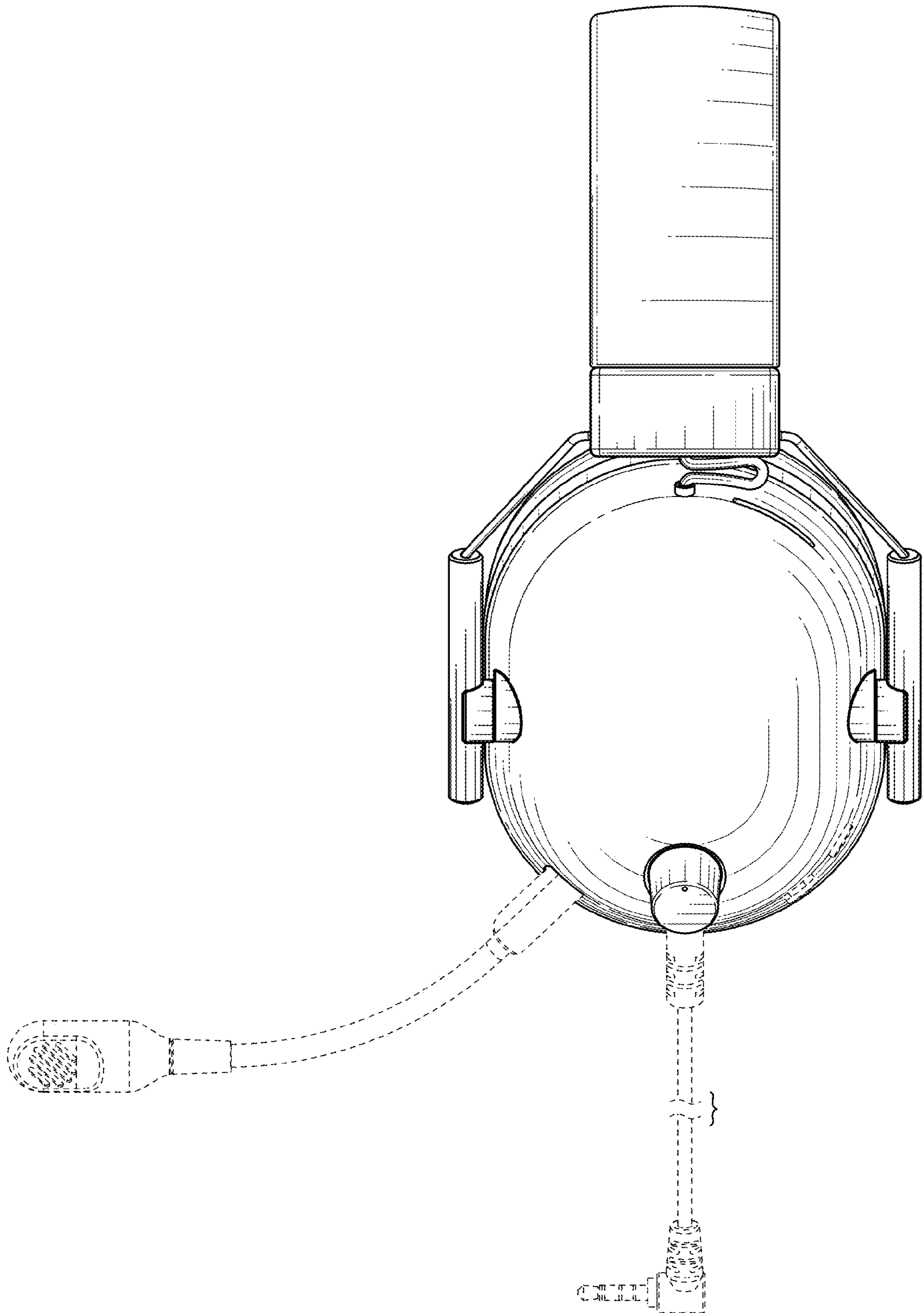


FIG. 13

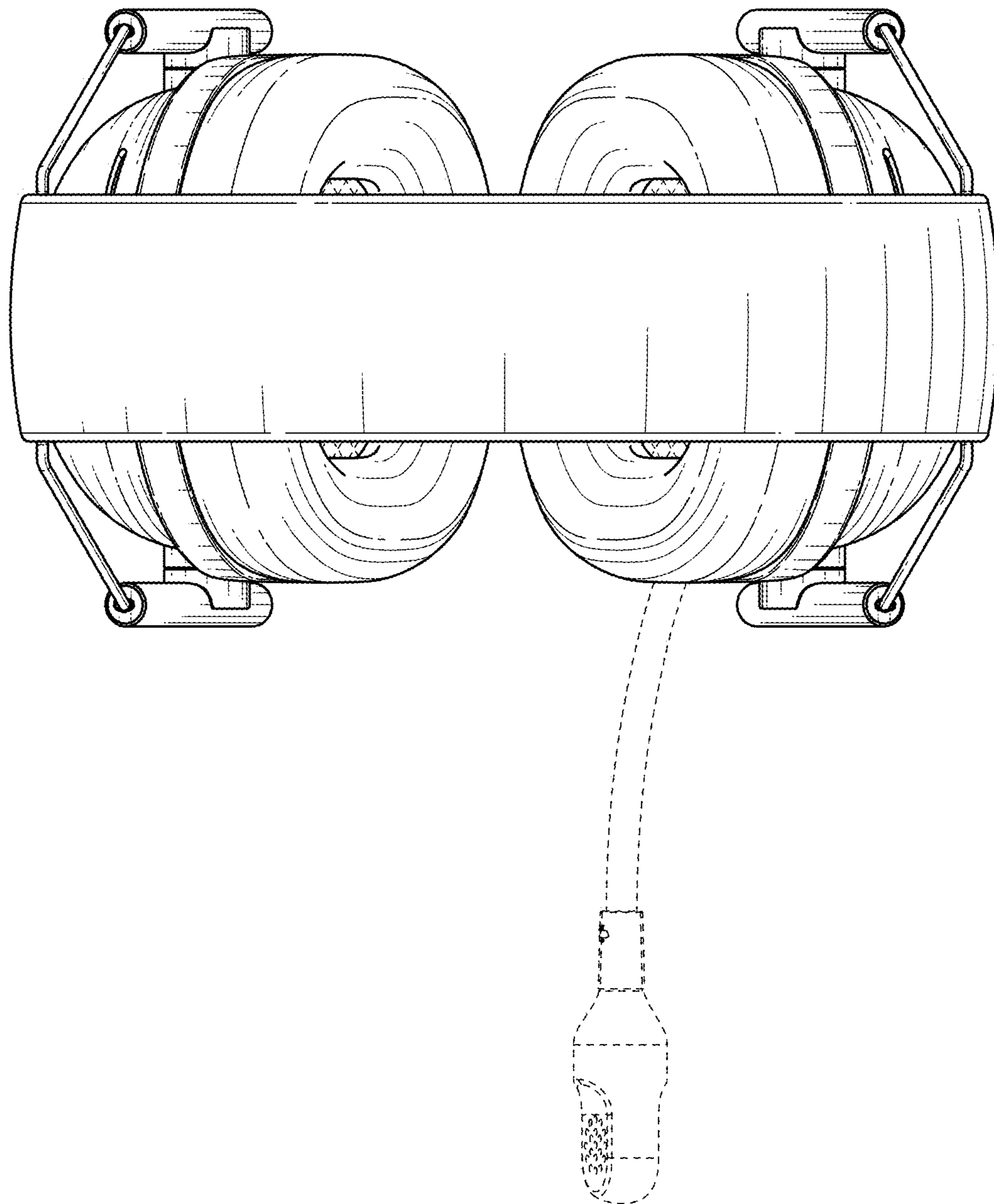


FIG. 14

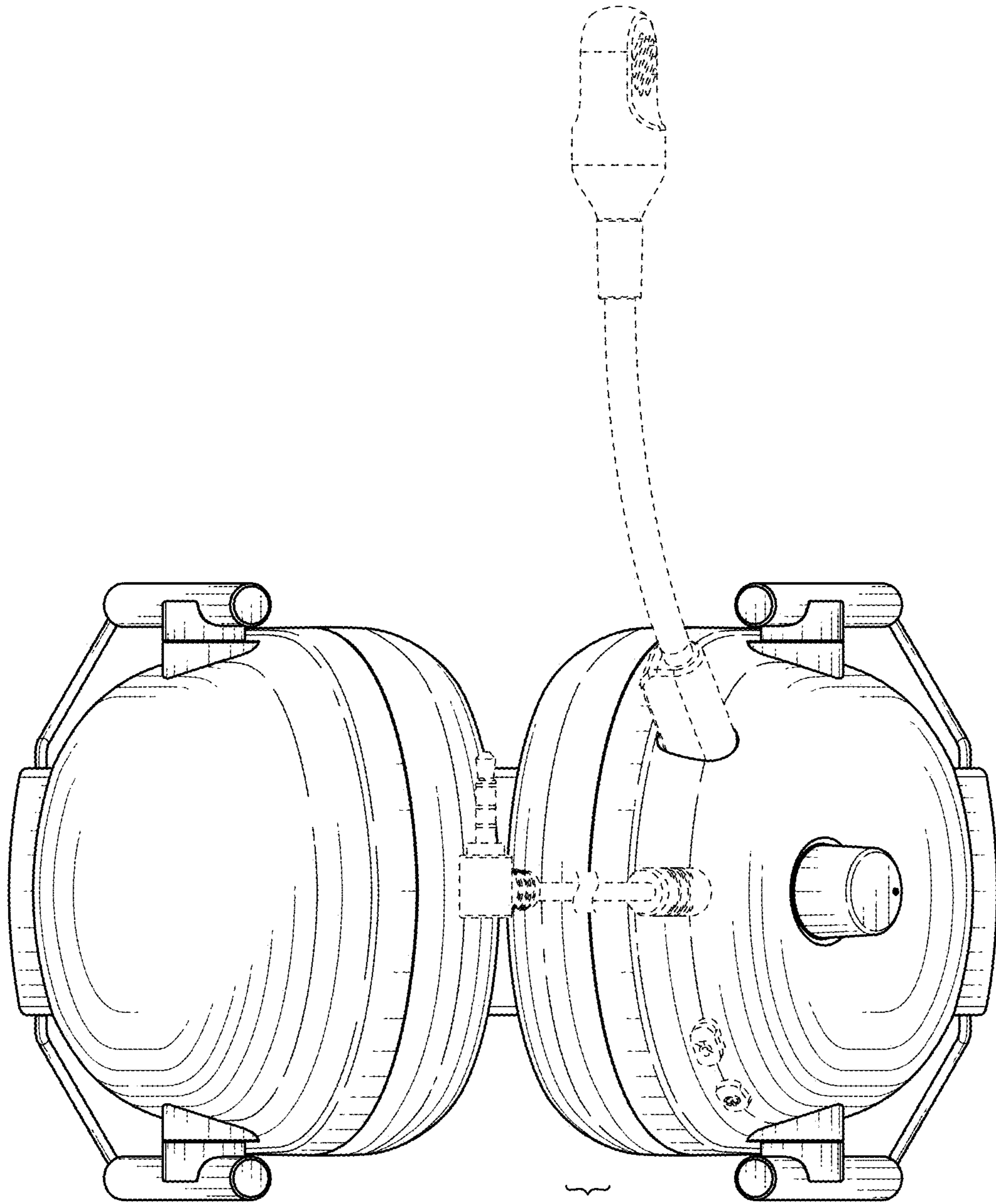


FIG. 15

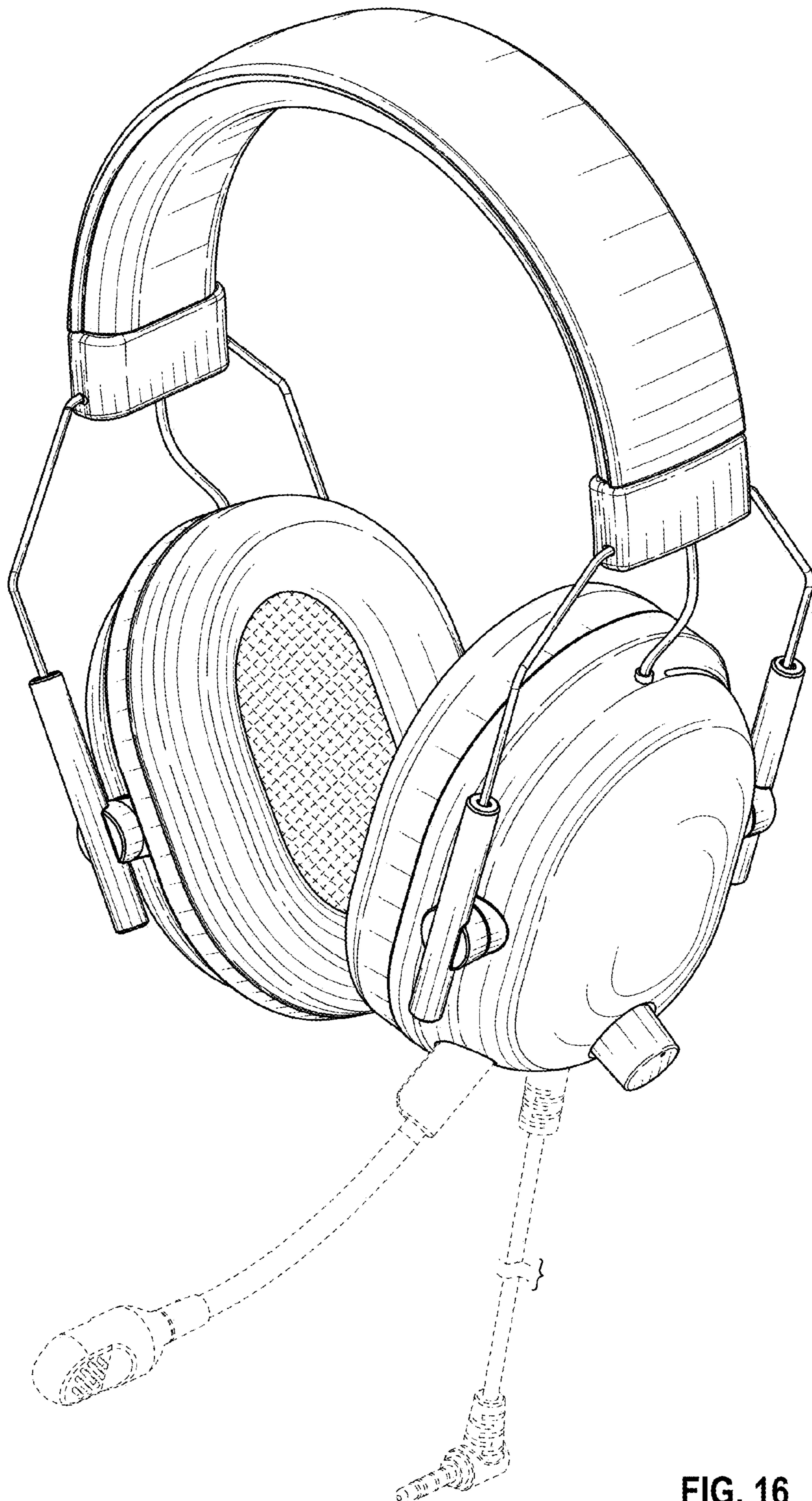


FIG. 16



FIG. 17

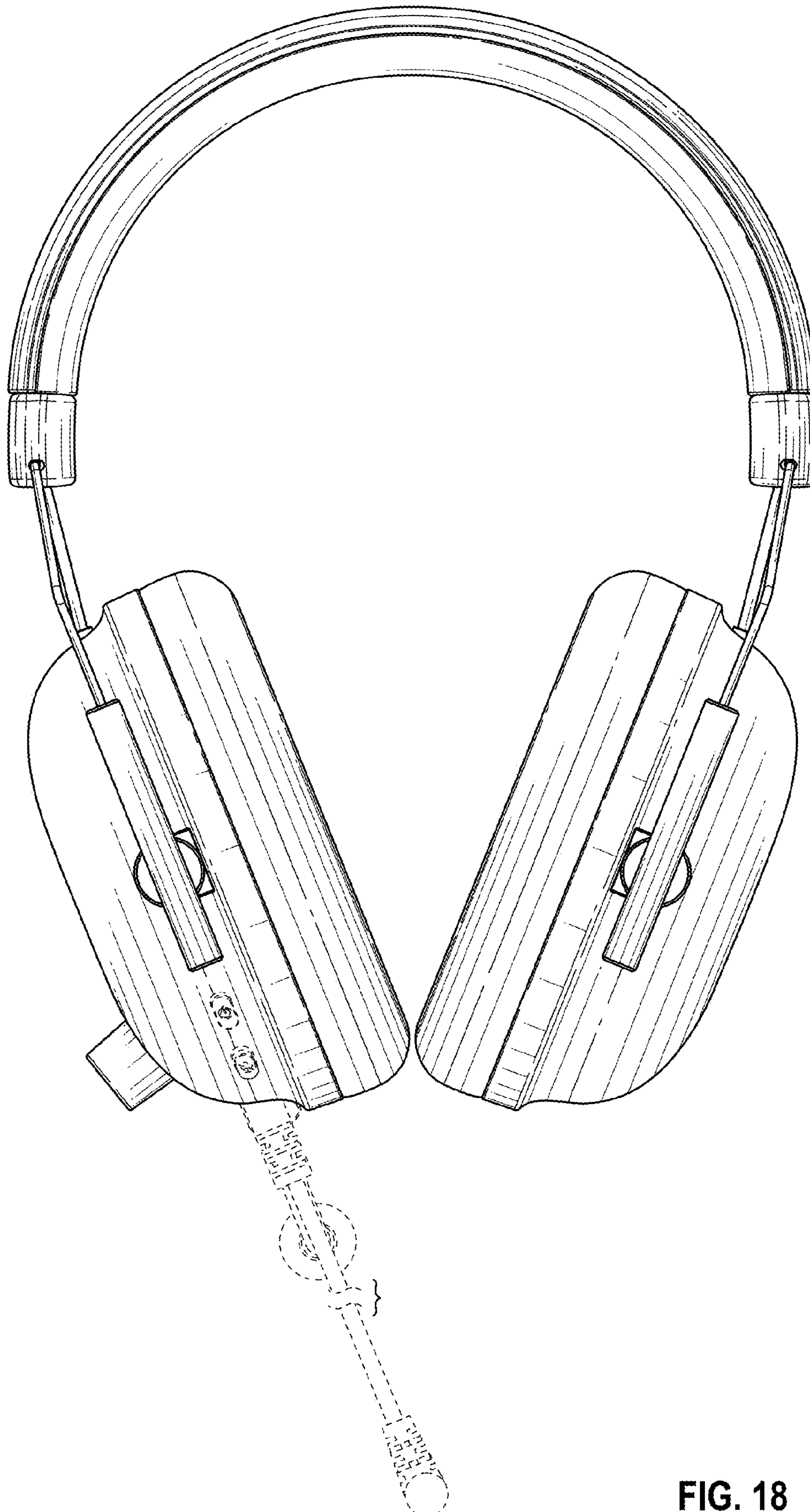


FIG. 18

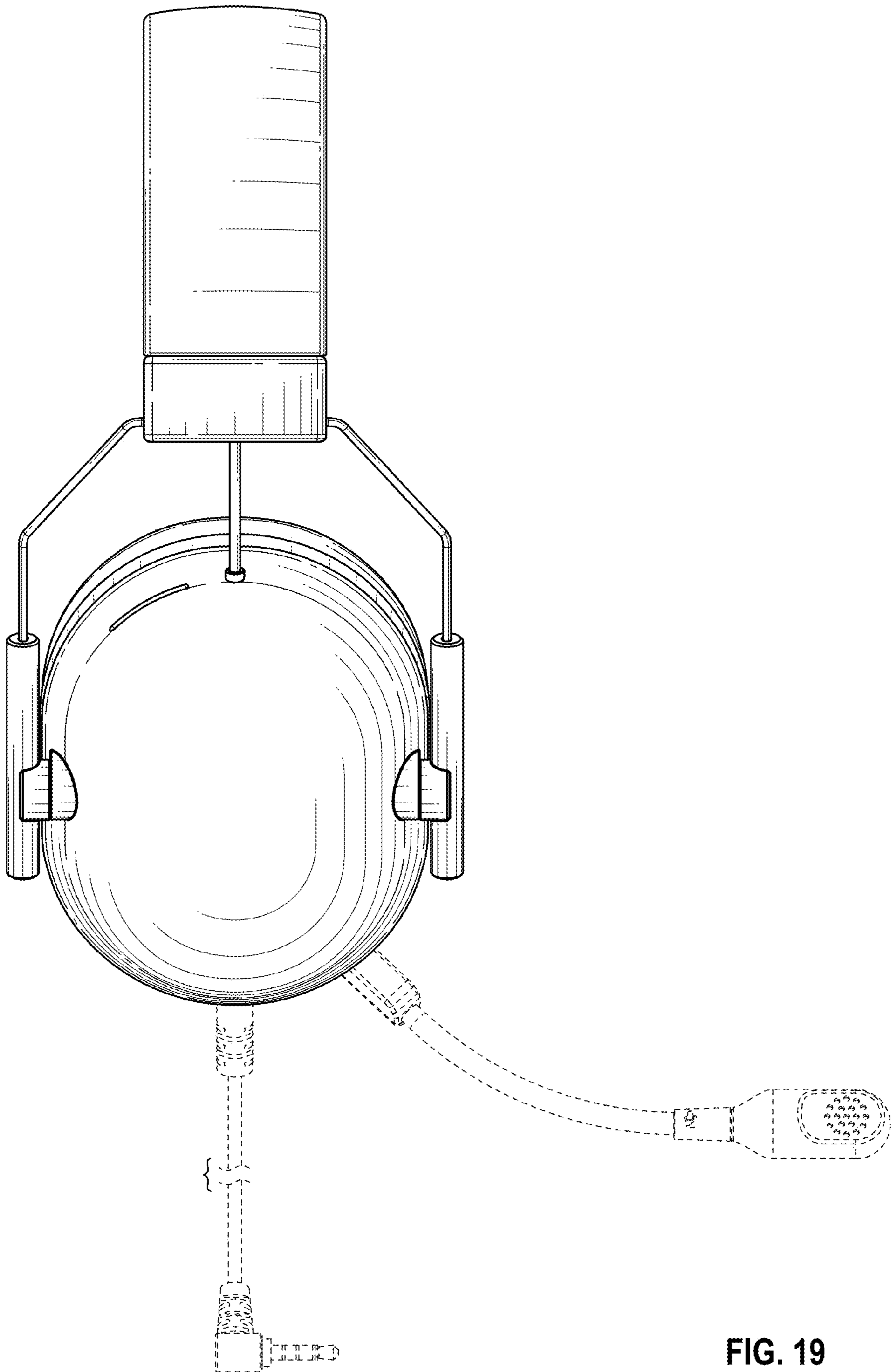


FIG. 19

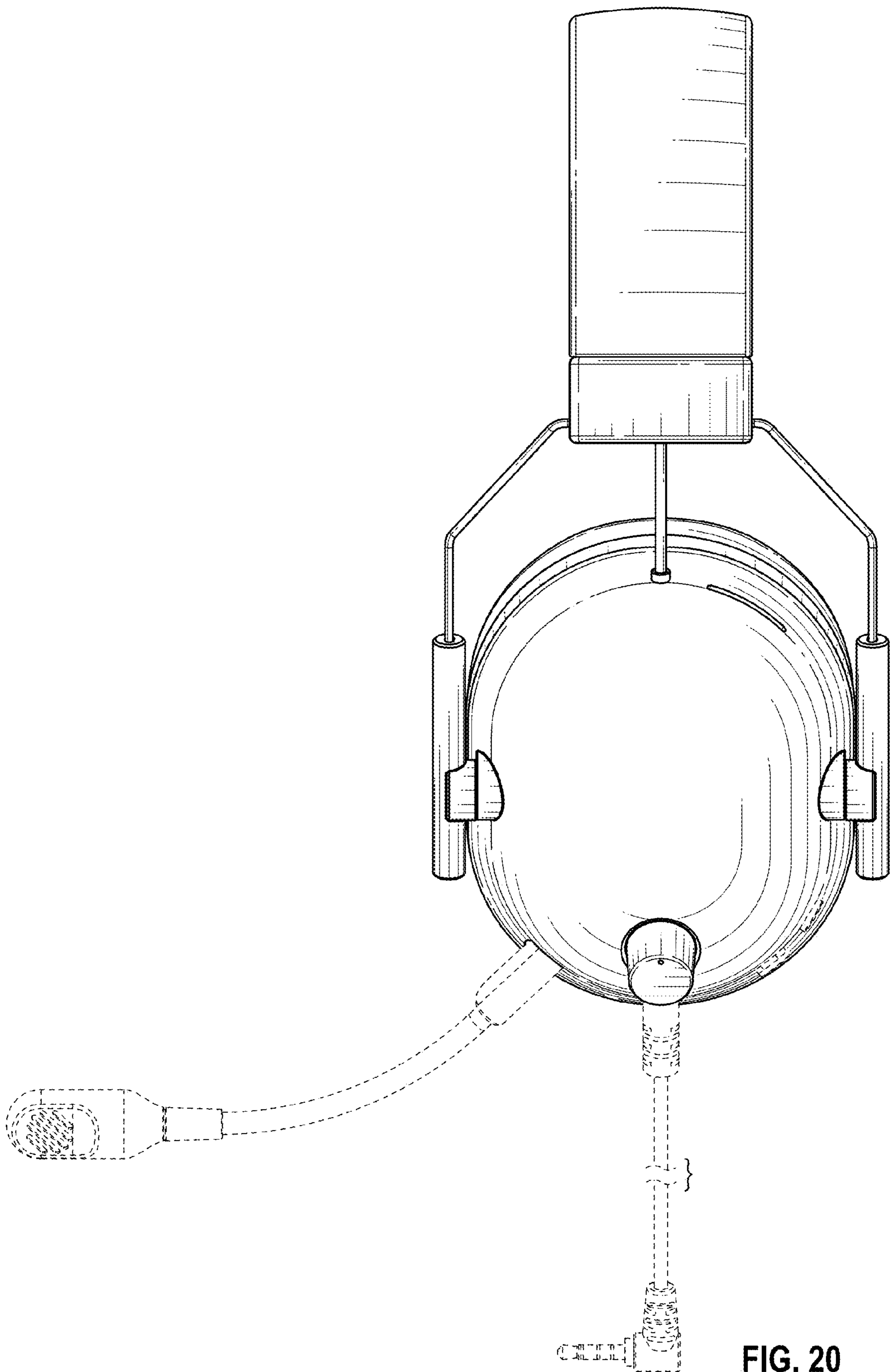


FIG. 20

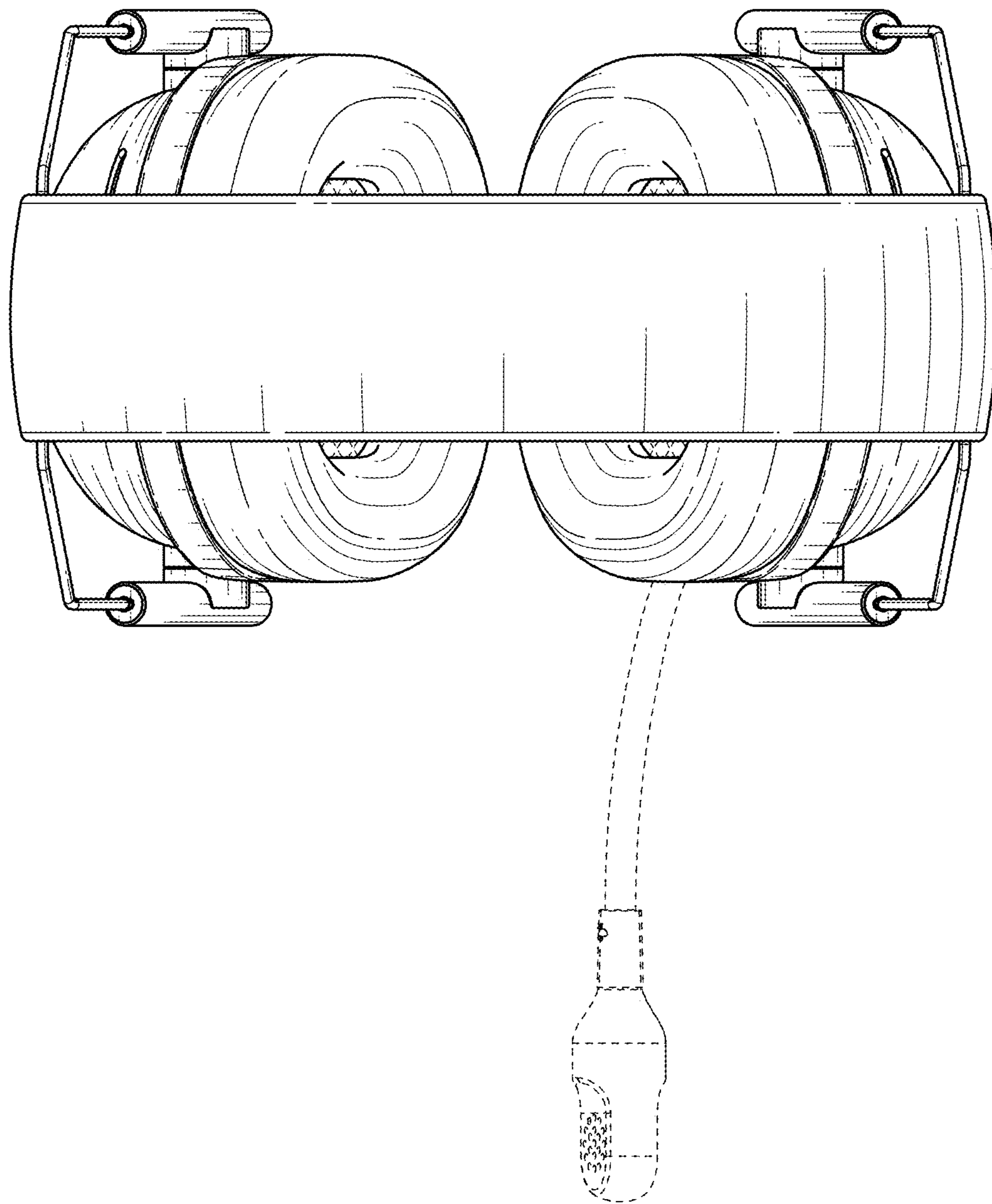


FIG. 21

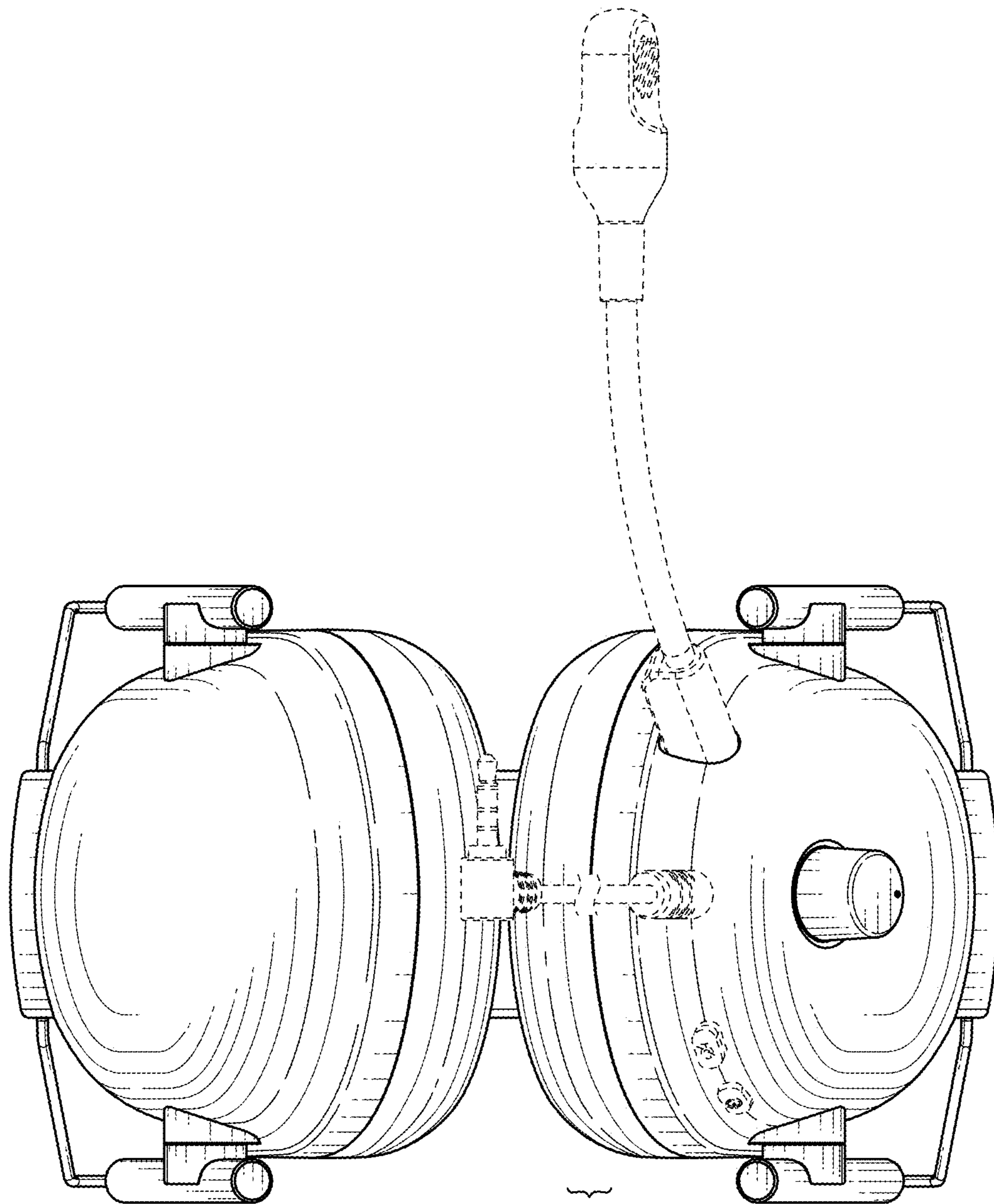


FIG. 22