

US00D943544S

(12) **United States Design Patent** (10) **Patent No.:** **US D943,544 S**
Rodriguez et al. (45) **Date of Patent:** **** Feb. 15, 2022**

(54) **SPEAKERPHONE BUTTON**

FOREIGN PATENT DOCUMENTS

(71) Applicant: **Polycom, Inc.**, San Jose, CA (US)

TW D108485 8/1994

(72) Inventors: **Hector Rodriguez**, Austin, TX (US);
Anthony Martin Duys, Merrimac, MA (US);
Yanlin Zhu, Austin, TX (US);
Nathan Yang, Austin, TX (US);
Samuel Alexander Moon, Austin, TX (US);
Nathan Evan Careless, Cedar Park, TX (US);
Adam Thomas Prather, Austin, TX (US)

OTHER PUBLICATIONS

XING Conference Phone for Skype, <URL: www.ipevo.com>, retrieved from internet Jan. 31, 2008.

(Continued)

Primary Examiner — Marie D. Fast Horse

(74) *Attorney, Agent, or Firm* — Blank Rome LLP

(73) Assignee: **Polycom, Inc.**, San Jose, CA (US)

(**) Term: **15 Years**

(57) **CLAIM**

(21) Appl. No.: **29/754,186**

The ornamental design for a speakerphone button, as shown and described.

(22) Filed: **Oct. 7, 2020**

Related U.S. Application Data

DESCRIPTION

(62) Division of application No. 29/679,860, filed on Feb. 11, 2019, now Pat. No. Des. 902,169.

(51) **LOC (13) Cl.** **14-03**

(52) **U.S. Cl.**
USPC **D14/149**

(58) **Field of Classification Search**
USPC D14/140, 140.1, 141.1, 142, 144, 147,
D14/149, 150, 155, 168, 172, 226, 192,
D14/221, 127-130, 204, 206, 209.1, 211,
D14/212, 213, 215, 216, 217, 240, 244,
D14/247, 299, 496, 356, 358, 432, 454,
D14/455, 456; D10/104.1, 106.1, 106.3,
D10/106.5; D13/174

(Continued)

FIG. 1 is a perspective view of a speakerphone button, showing our new design;
FIG. 2 is a top plan view thereof;
FIG. 3 is a front elevational view thereof;
FIG. 4 is a left side elevational view thereof;
FIG. 5 is an enlarged perspective view thereof, as encircled at point "5" in FIG. 1;
FIG. 6 is an enlarged front elevational view thereof, as encircled at point "6" in FIG. 3;
FIG. 7 is a left side elevational view thereof, as encircled at point "7" in FIG. 4; and,
FIG. 8 is a top plan view thereof, as encircled at point "8" in FIG. 2.

The broken lines consisting of uneven dashes in FIGS. 1 through 8 and the reference to enlargement seen in FIGS. 1 through 4 consisting of uneven sized dashes form no part of the claimed design; all other broken lines in the drawings depict portions of the speakerphone that from no part of the claimed design.

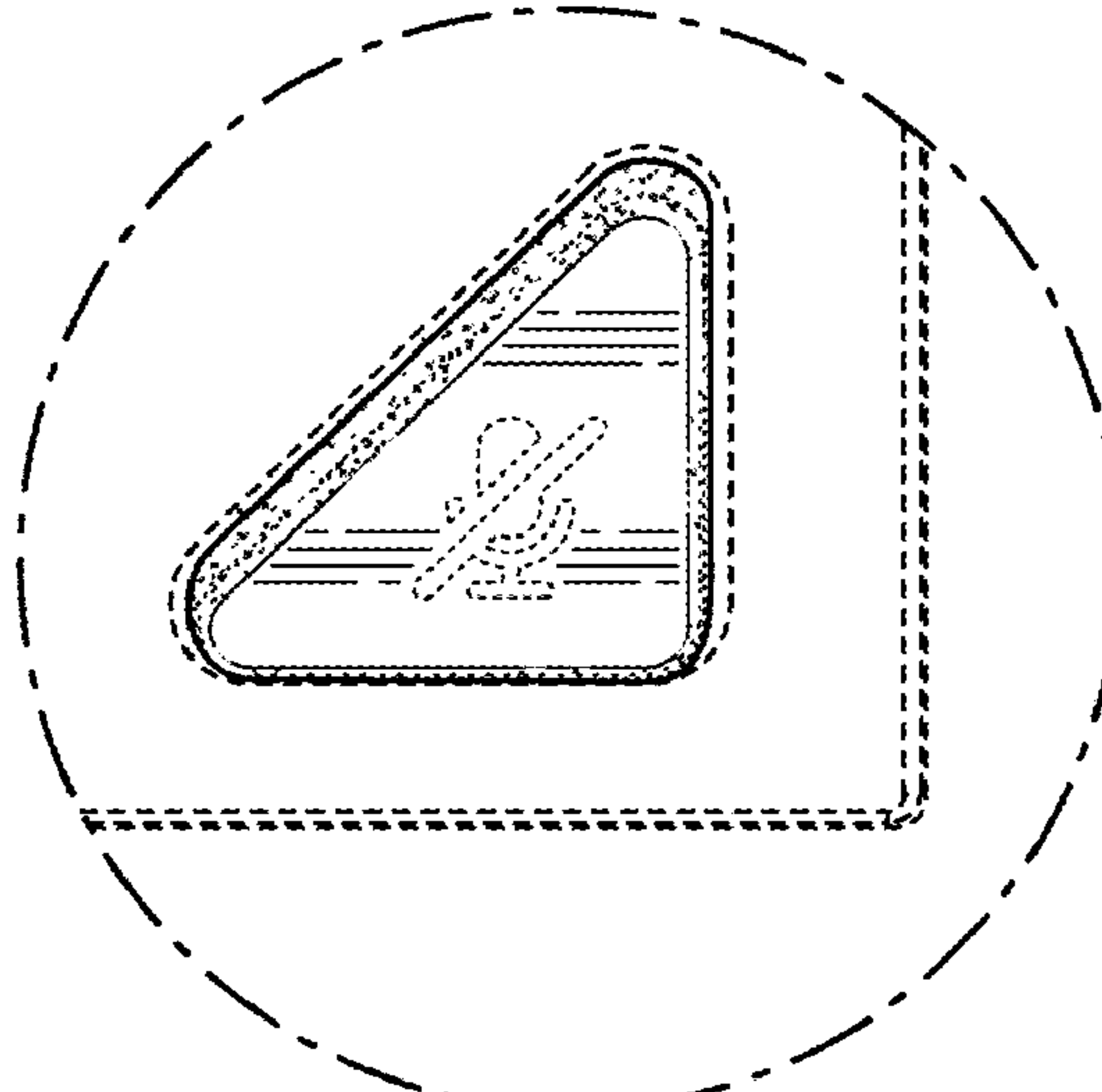
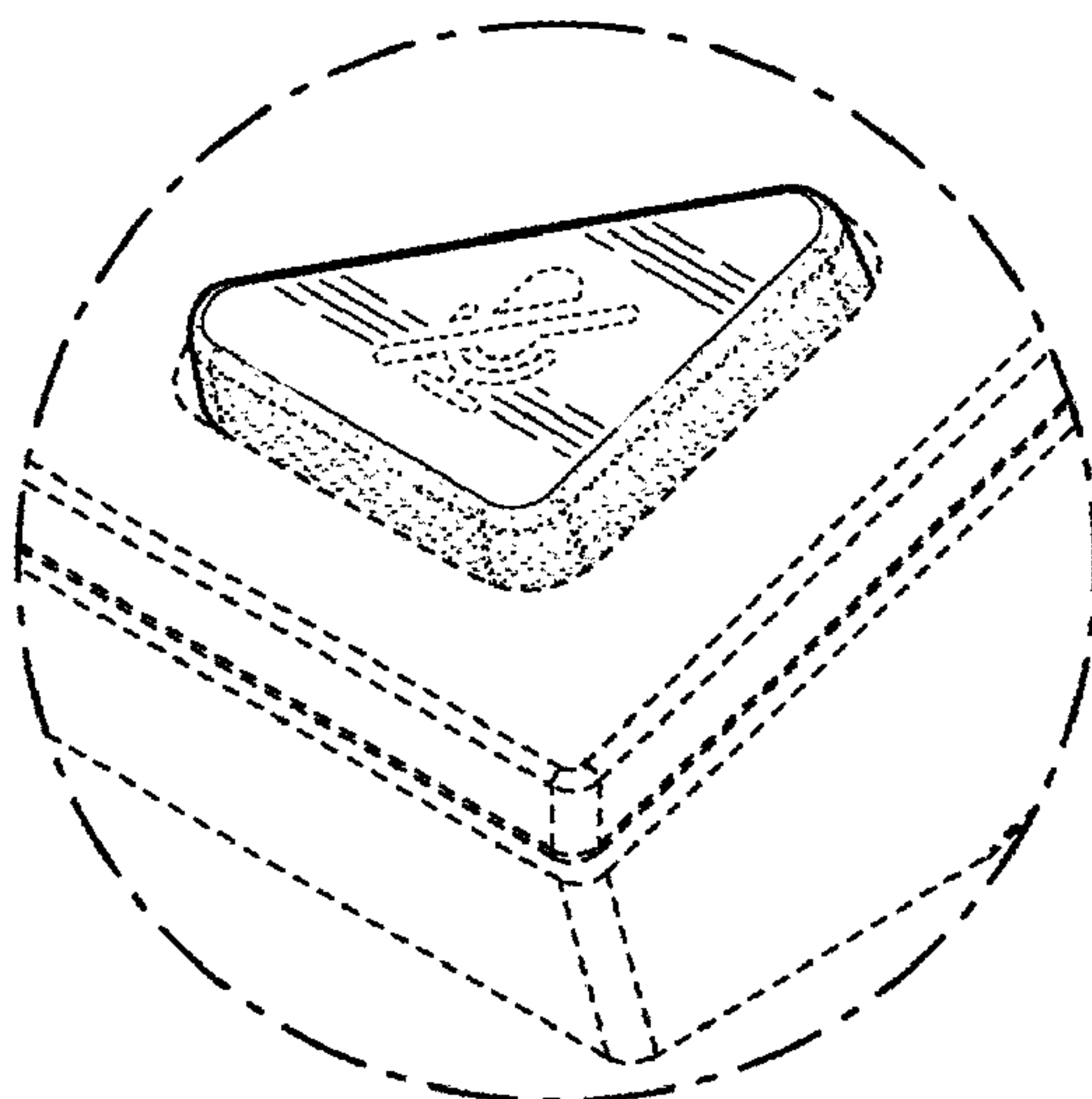
(56) **References Cited**

U.S. PATENT DOCUMENTS

4,363,482 A 12/1982 Goldfarb
D292,283 S 10/1987 Matsuda et al.

(Continued)

1 Claim, 3 Drawing Sheets



(58) **Field of Classification Search**

CPC H04M 1/00; H04M 1/026; H04M 1/04;
H04M 1/6033; H04M 1/60041; H04M
3/02; H04M 3/005; H04M 3/56; H04M
3/564; H04M 3/568; H04M 9/02; H04M
9/022; H04M 9/08; H04R 1/00; H04R
1/02; H04R 1/403; H04R 1/406; H04R
27/00

See application file for complete search history.

(56) **References Cited**

U.S. PATENT DOCUMENTS

D292,580 S * 11/1987 Wang D14/151
D293,568 S * 1/1988 Martinez D14/141.1
D294,254 S * 2/1988 Read D14/150
D294,256 S * 2/1988 Read D14/150
D294,696 S * 3/1988 Brown D14/149
D295,973 S * 5/1988 Nagele D14/147
D298,618 S * 11/1988 Martinez D14/141.1
D300,027 S * 2/1989 Brunish D14/143
D308,701 S 6/1990 Kojima
D309,161 S 7/1990 Leung
D311,398 S * 10/1990 Sugano D14/142
D311,541 S 10/1990 Carre
D318,470 S * 7/1991 Kwan D14/149
D321,187 S * 10/1991 Yang D14/150
D324,685 S * 3/1992 Strohbeen D14/214
D327,479 S 6/1992 Britz
D331,204 S * 11/1992 Hampf D10/118.2
D342,732 S 12/1993 Hinman et al.
D343,614 S * 1/1994 Khoo D14/137
D354,955 S * 1/1995 Wicks D14/149
D368,721 S 4/1996 Howell et al.
D371,360 S * 7/1996 Mahan D14/138 AA
D375,090 S 10/1996 Lambert et al.
D382,265 S 8/1997 Wakefield
D382,266 S 8/1997 Wakefield
D396,716 S 8/1998 Matsuda et al.
D402,978 S * 12/1998 Wang H04N 7/142
D14/130
D403,328 S 12/1998 Wakefield
D406,841 S 3/1999 Myung
D411,995 S 7/1999 Chen
6,016,346 A 1/2000 Rittmueller et al.
D419,997 S 2/2000 Montalbo et al.
D421,606 S 3/2000 Montalbo et al.
D431,236 S 9/2000 Read et al.
D434,747 S 12/2000 Bird et al.
D435,040 S * 12/2000 Shen D14/141.3
D439,538 S 3/2001 Lynch
D444,774 S * 7/2001 Ciornei D13/164
D444,777 S 7/2001 Bird et al.
D445,406 S * 7/2001 Ciornei D13/164
D448,754 S 10/2001 Chang
D449,285 S 10/2001 Wakefield et al.
D449,286 S 10/2001 Wakefield et al.

D451,482 S * 12/2001 Vanderheiden D13/162
D457,150 S 5/2002 Chen
D461,179 S 8/2002 Christianson
D463,410 S 9/2002 Strand et al.
D473,546 S 4/2003 Hovanky et al.
D474,169 S 5/2003 Fletcher
D478,560 S 8/2003 Misrahi et al.
D480,059 S 9/2003 Misrahi et al.
D481,371 S 10/2003 Chen
D488,794 S 4/2004 Chen
D491,909 S 6/2004 Sun
D499,392 S 12/2004 Bathurst et al.
D512,703 S * 12/2005 Ookawa D14/149
D526,623 S * 8/2006 Yin D13/168
D536,327 S 2/2007 Lukic et al.
D549,676 S * 8/2007 Pelletier D14/130
D550,302 S * 9/2007 Luciano, Jr D13/174
D556,179 S 11/2007 Chang
D557,676 S 12/2007 Suzuki et al.
D566,682 S 4/2008 Marash
D571,776 S 6/2008 Duys et al.
D576,156 S 9/2008 Wilson et al.
D579,911 S 11/2008 Wei et al.
7,480,502 B2 1/2009 Biddulph
D586,743 S 2/2009 Guccione et al.
D594,438 S 6/2009 Wada
D620,916 S 8/2010 Wada
D631,856 S * 2/2011 Altonen D13/174
D635,955 S 4/2011 Corrigan et al.
D640,227 S * 6/2011 Wada D14/149
D672,727 S * 12/2012 McCullar D13/168
D679,703 S * 4/2013 Tanaka D14/315
D699,224 S * 2/2014 Diamond D14/218
D714,249 S * 9/2014 Carney D14/140
D714,258 S 9/2014 Montague et al.
D719,935 S * 12/2014 Diamond D14/218
D729,210 S * 5/2015 Behar D14/221
D760,201 S 6/2016 Tompkin et al.
D772,201 S * 11/2016 Lepchenske D14/218
D808,390 S * 1/2018 Jordan G06F 3/04886
D14/388
RE46,940 E 7/2018 Tompkin et al.
RE47,282 E 3/2019 Tompkin et al.
D851,617 S 6/2019 Rodriguez et al.
D893,443 S * 8/2020 Rodriguez D14/142
D896,199 S * 9/2020 Rodriguez D14/151
D902,169 S * 11/2020 Rodriguez D14/149
D922,977 S * 6/2021 Rodriguez D14/142
2003/0053620 A1 3/2003 Chen
2009/0268899 A1 10/2009 Tokuda et al.

OTHER PUBLICATIONS

Polycom Voicestation 300, <URL: www.101Phones.com>, retrieved from internet Jan. 31, 2008.
Polycom SoundStation2, <URL: www.101Phones.com>, retrieved from internet Jan. 31, 2008.

* cited by examiner

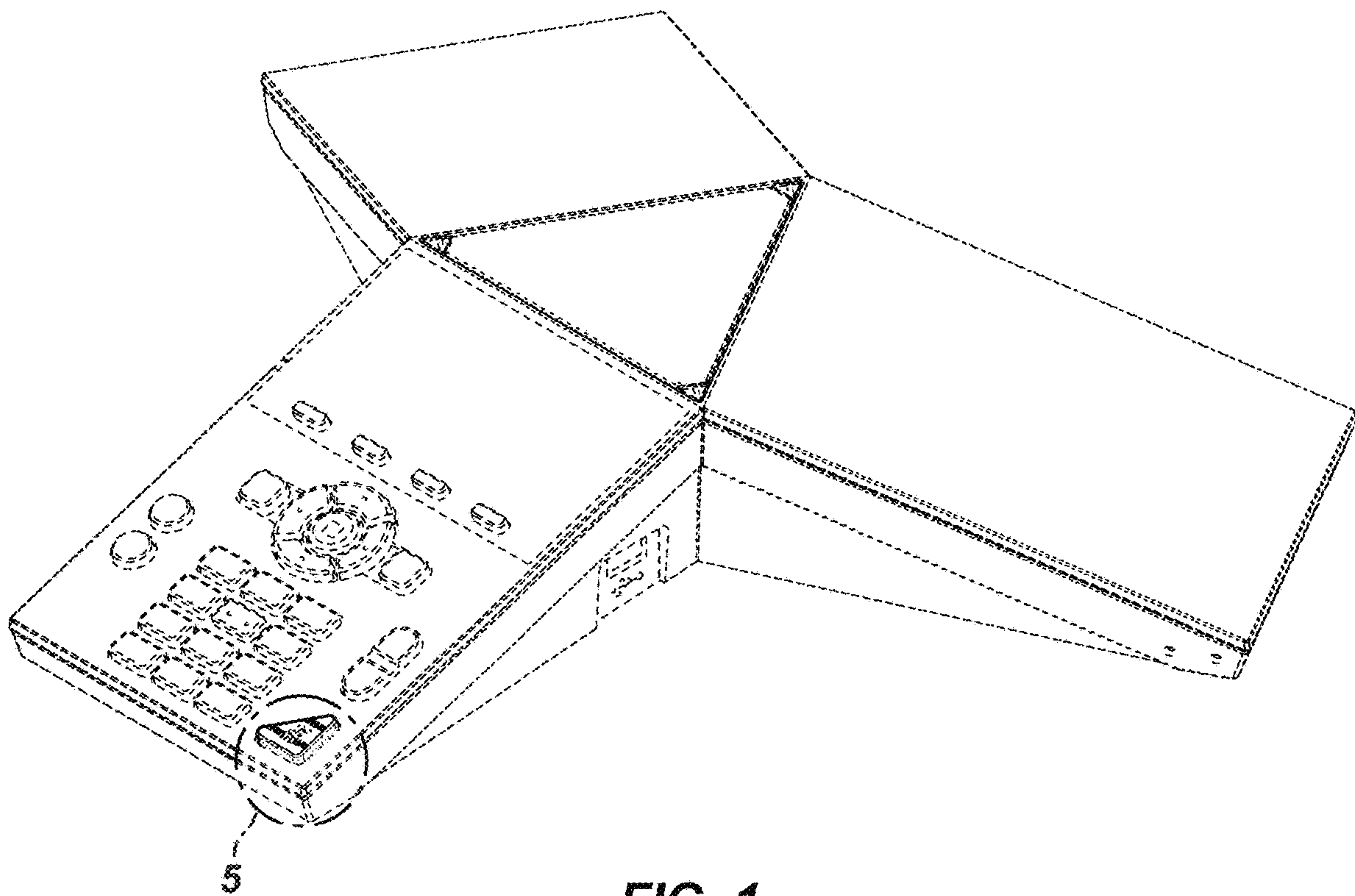


FIG. 1

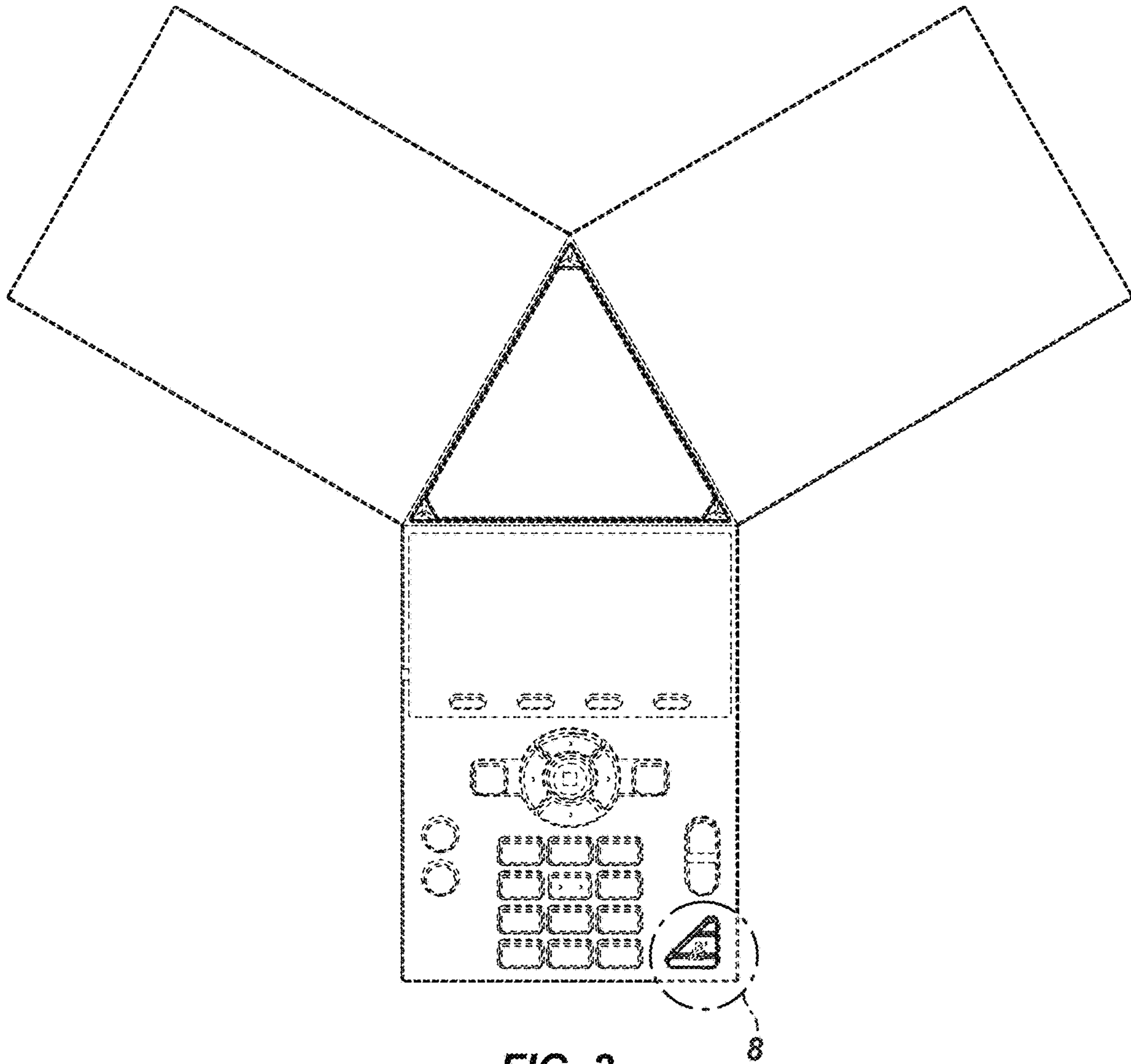


FIG. 2

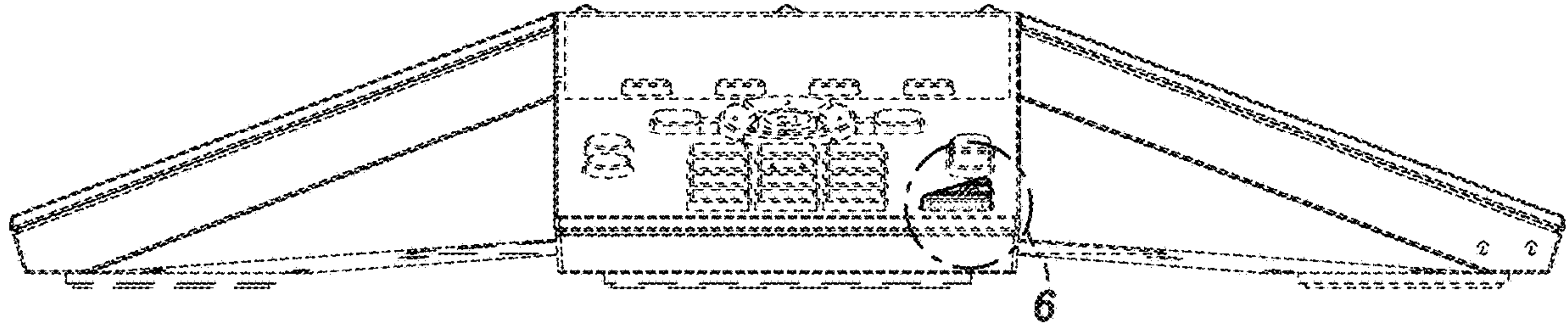


FIG. 3

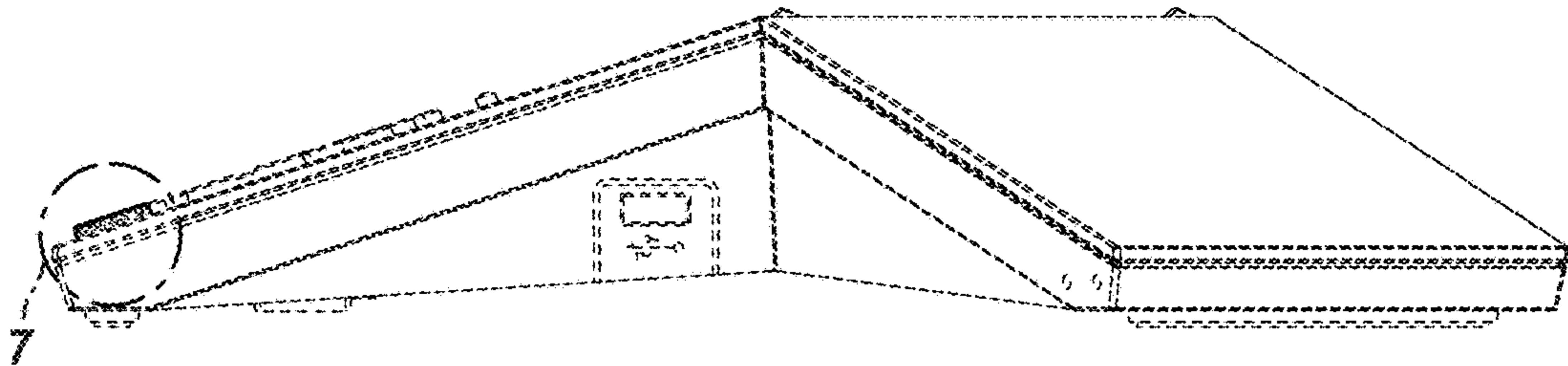


FIG. 4

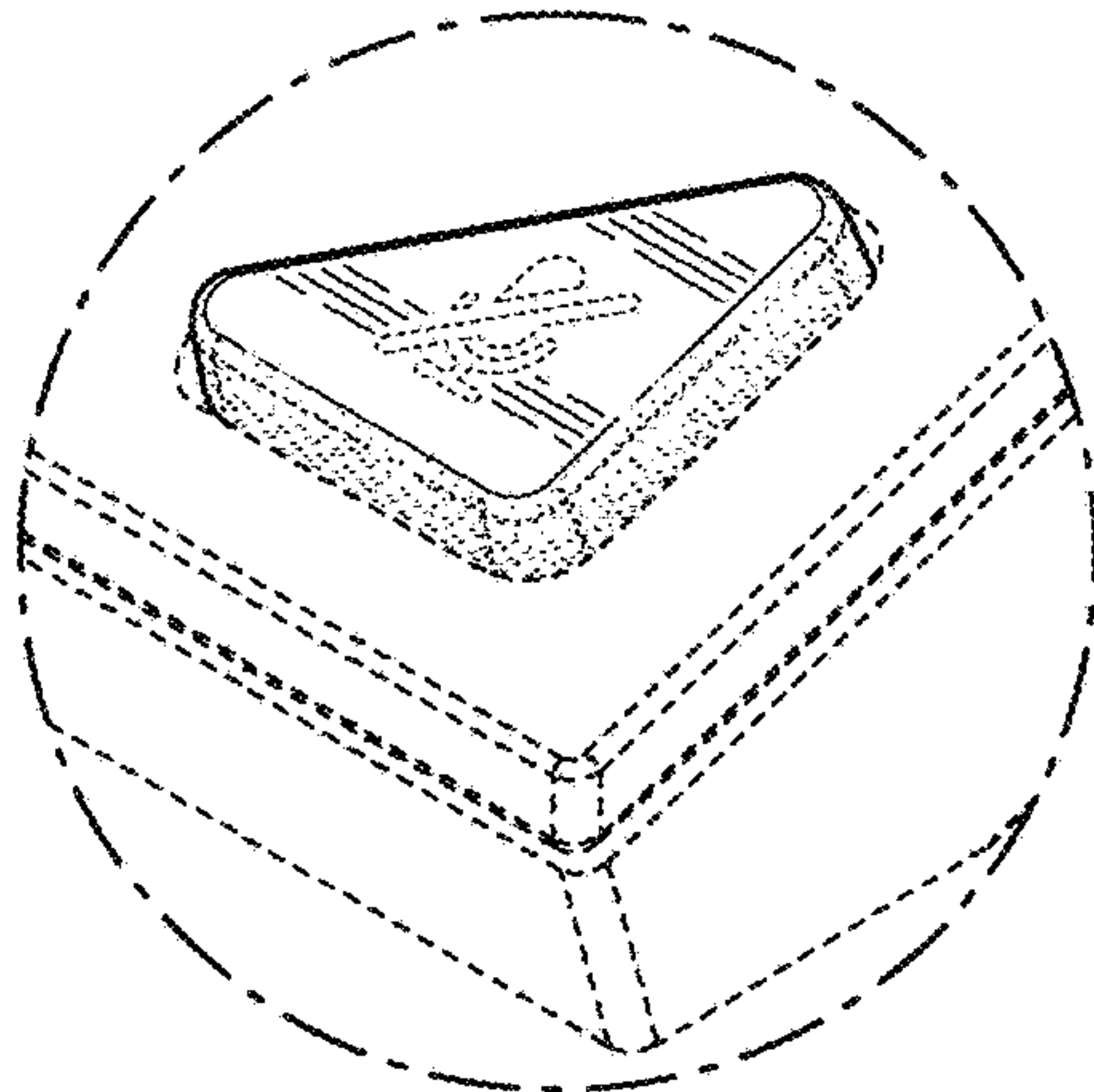


FIG. 5

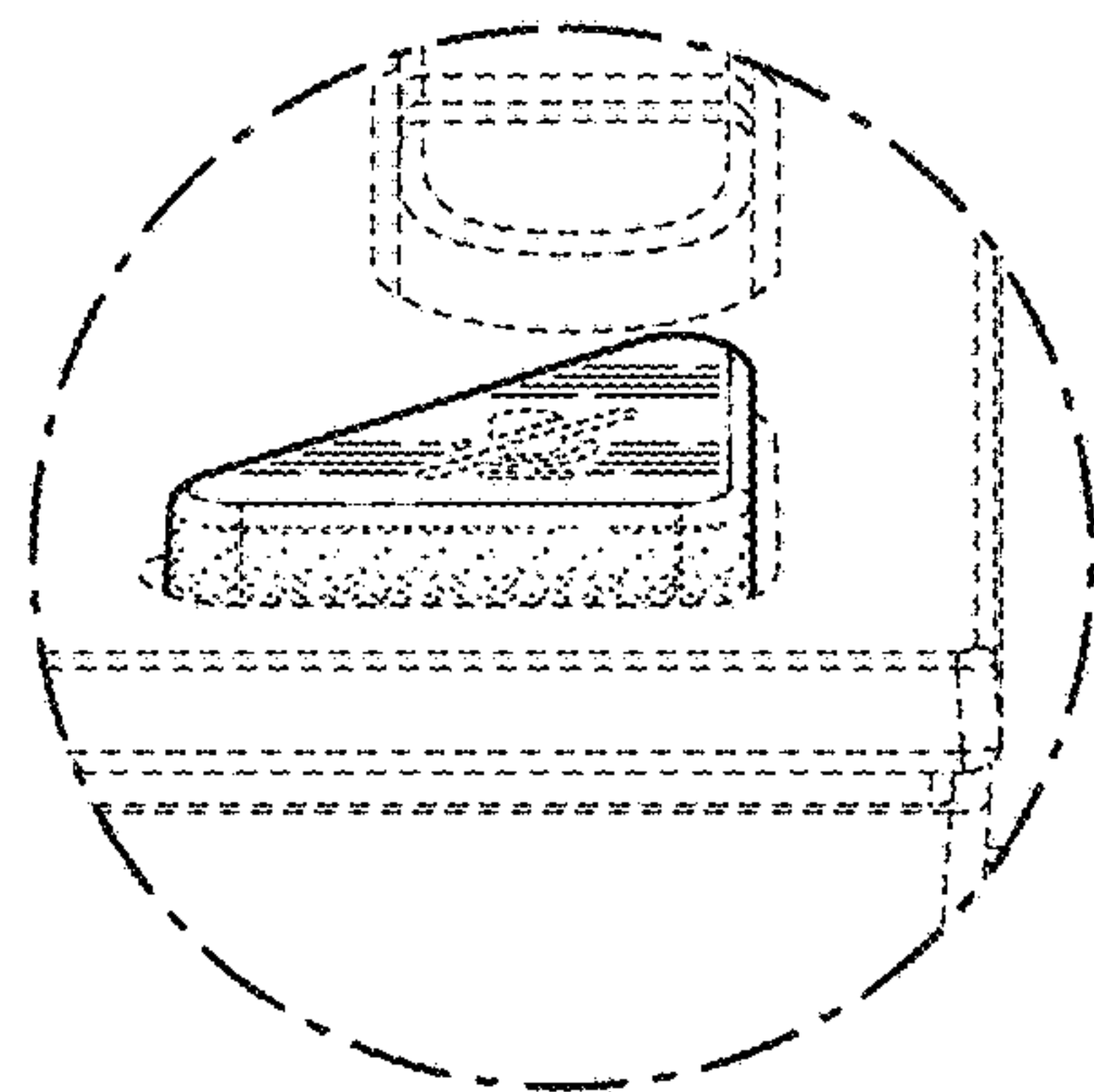


FIG. 6

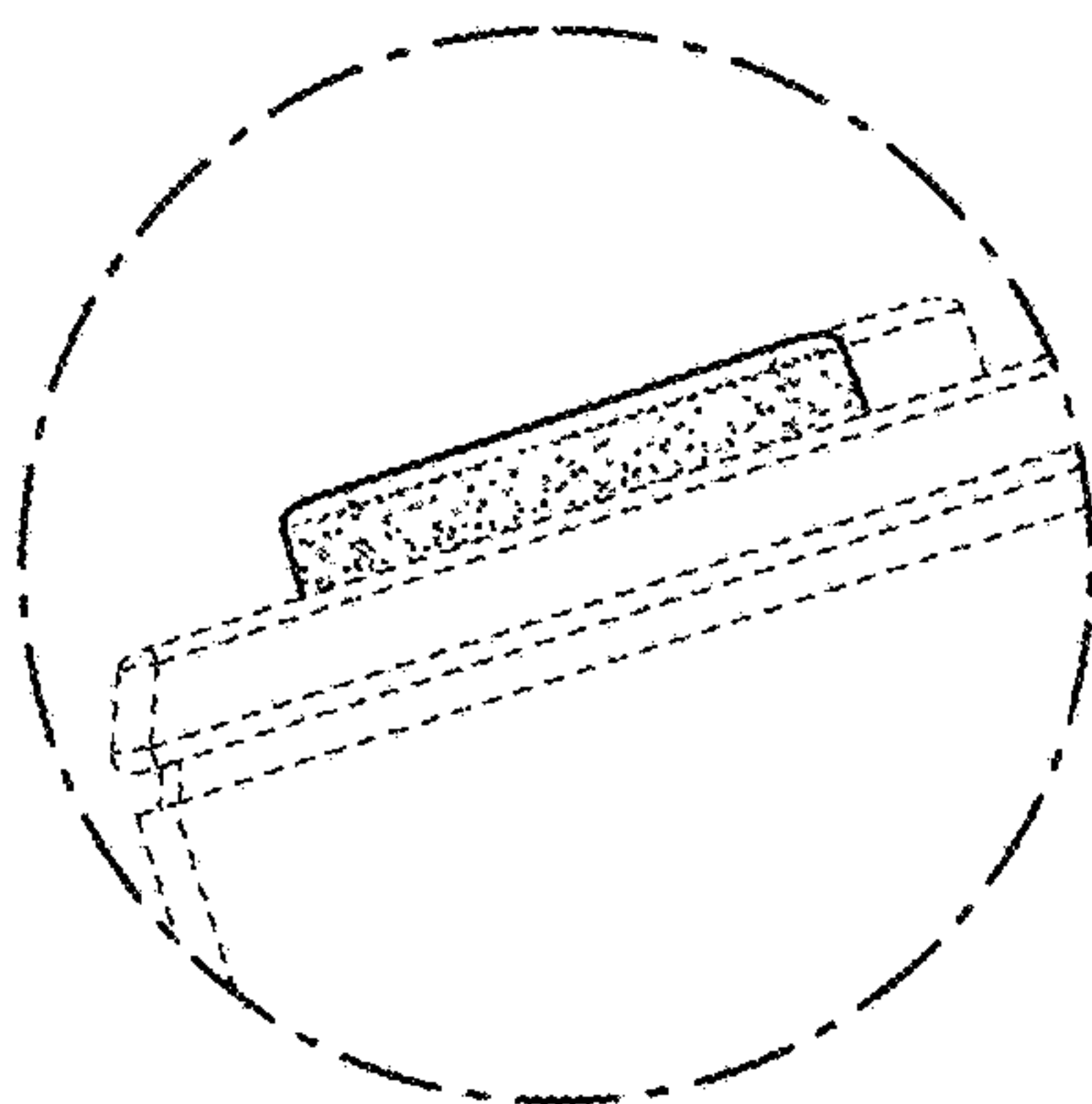


FIG. 7

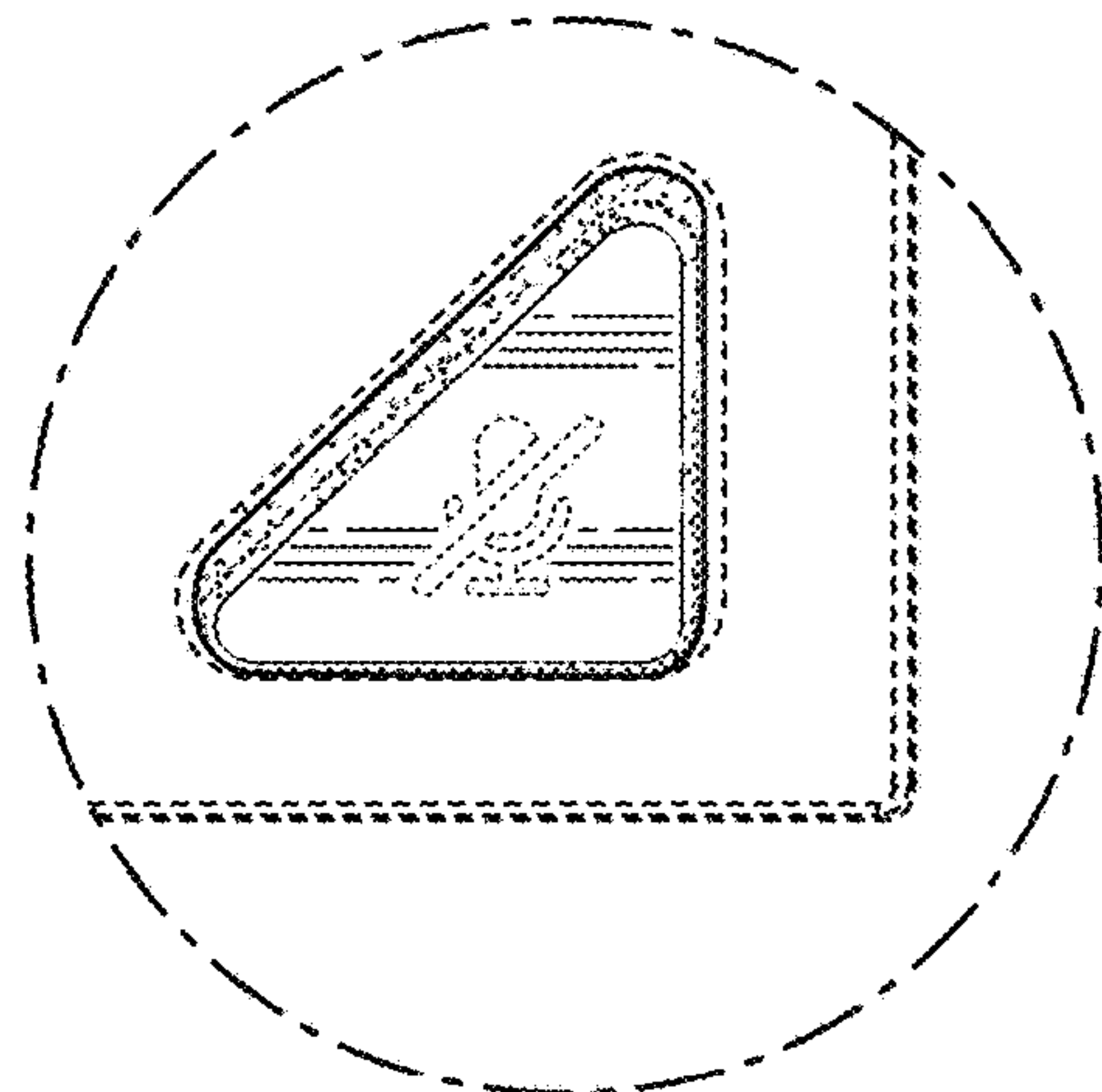


FIG. 8