



(12) **United States Design Patent** (10) **Patent No.:** **US D943,540 S**
Seo (45) **Date of Patent:** **** Feb. 15, 2022**

(54) **PORTABLE DISPLAY DEVICE**

(71) Applicant: **LG ELECTRONICS INC.**, Seoul (KR)

(72) Inventor: **Youngkook Seo**, Seoul (KR)

(73) Assignee: **LG ELECTRONICS INC.**, Seoul (KR)

(**) Term: **15 Years**

(21) Appl. No.: **29/739,213**

(22) Filed: **Jun. 23, 2020**

(30) **Foreign Application Priority Data**

Jan. 7, 2020 (KR) 30-2020-0000765

(51) **LOC (13) Cl.** **14-03**

(52) **U.S. Cl.**
USPC **D14/125**

(58) **Field of Classification Search**
USPC D14/204, 209.1, 211, 221, 224–225, D14/227–228, 239, 371, 372, 373, D14/447–452, 125–129, 335–337, D14/374–377, 341, 440–442, 444, D14/446–447, 250, 217, 344–345, D14/348–349, 351–359, 363, 900; D8/355, 363, 373, 349; D6/672, 682, D6/300–314; D13/107, 101–103, D13/118–119, 184, 199; D10/30, 103, D10/123, 125, 132; D16/101, 216–217; D12/106; D24/103, 138, 140–144
CPC F16M 11/2085; F16M 11/2092; F16M 11/2007; F16M 11/2014; F16M 11/2021; F16M 11/105; F16M 11/10; F16M 11/048; F16M 11/12; F16M 13/022; H04R 9/06; H04R 1/24; H04R 11/02; H04R 2400/00; G06F 1/20; G06F 1/1628; G06F 1/1626; G06F 1/1669; G06F 1/1679; H05K 5/00; H05K 5/0213; H05K 5/30; H05K 5/03; H05K 5/0017; A47B 23/044; A47B 97/001;

(Continued)

(56) **References Cited**

U.S. PATENT DOCUMENTS

D333,437 S * 2/1993 Hirschhorn D10/12
D449,321 S * 10/2001 Su B29D 11/00423
D16/101

(Continued)

OTHER PUBLICATIONS

TOUCHBeauty Rechargeable Makeup Mirror, first available Apr. 22, 2020, amazon.com, [online], [site visited Oct. 19, 2021], Available from internet URL: https://www.amazon.com/dp/B087JQ2SHB/ref=sspa_dk_detail_5?psc=1&pd_rd_w=8eMGm&pf_rd_p=9fd3ea7c-b77c-42ac-b43b-c872d3f37c38&pd_r%E2%80%A6 (Year: 2020).*

(Continued)

Primary Examiner — Samantha Q Lawrence
Assistant Examiner — Holly M Rodriguez
(74) *Attorney, Agent, or Firm* — Birch, Stewart, Kolasch & Birch, LLP

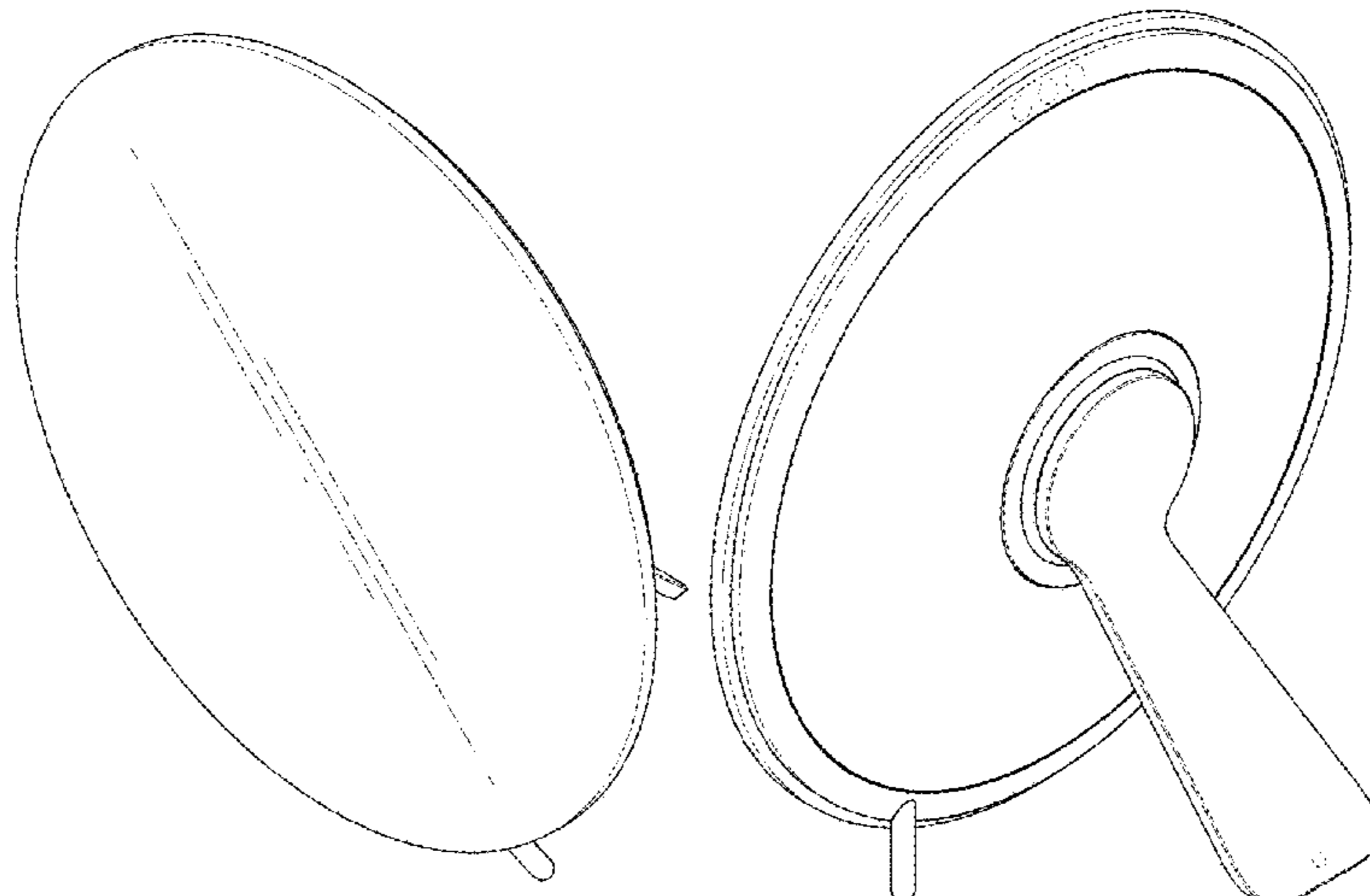
(57) **CLAIM**

The ornamental design for a portable display device, as shown and described.

DESCRIPTION

FIG. 1 is a front, right side, perspective view of a portable display device showing our new design;
FIG. 2 is a rear perspective view thereof;
FIG. 3 is a front view thereof;
FIG. 4 is a rear view thereof;
FIG. 5 is a left side view thereof;
FIG. 6 is a right side view thereof;
FIG. 7 is a top view thereof; and,
FIG. 8 is a bottom view.
The broken lines indicate unclaimed portion of the article that form no part of the claimed design.

1 Claim, 7 Drawing Sheets



(58) **Field of Classification Search**

CPC ... A47B 81/061; H04B 1/3888; A45C 11/00;
H04M 1/0202; H04M 1/0266; H04M
1/725; A63B 2225/685

See application file for complete search history.

(56)

References Cited

U.S. PATENT DOCUMENTS

D726,672 S * 4/2015 Olodort D14/138 G
D769,202 S * 10/2016 Jung D14/125
D794,633 S * 8/2017 Ha D14/344
D805,495 S * 12/2017 Kester D14/138 R
D806,020 S * 12/2017 Lu D13/107
D834,981 S * 12/2018 Grois D11/2
D848,158 S * 5/2019 Yang D6/309
D875,103 S * 2/2020 Vogel D14/447

D883,967 S * 5/2020 Huang D14/240
D899,107 S * 10/2020 Luo D6/309
2019/0235188 A1 * 8/2019 Hsiao H05K 1/181

OTHER PUBLICATIONS

Aduro Vanity Mirror Makeup With Lights and Speaker, first available May 13, 2020, amazon.com, [online], [site visited Oct. 19, 2021], Available from internet URL: https://www.amazon.com/Aduro-Bluetooth-U-Reflect-Wireless-Rechargeable/dp/B088KX5PX7/ref=sr_1_1262?dchild=1&keywords=makeup+mirror&qid=163%E2%80%A6 (Year: 2020).*

Led makeup Mirror with lights, first available Nov. 6, 2020, amazon.com, [online], [site visited Feb. 6, 2021], Available from internet URL: https://www.amazon.com/lighted-intelligent-control-dimming-dressing/dp/B08GP2L11F/ref=sr_1_341?dchild=1&keywords=makeup%2Bmirror&qid=163%E2%80%A6 (Year: 2020).*

* cited by examiner

FIG. 1

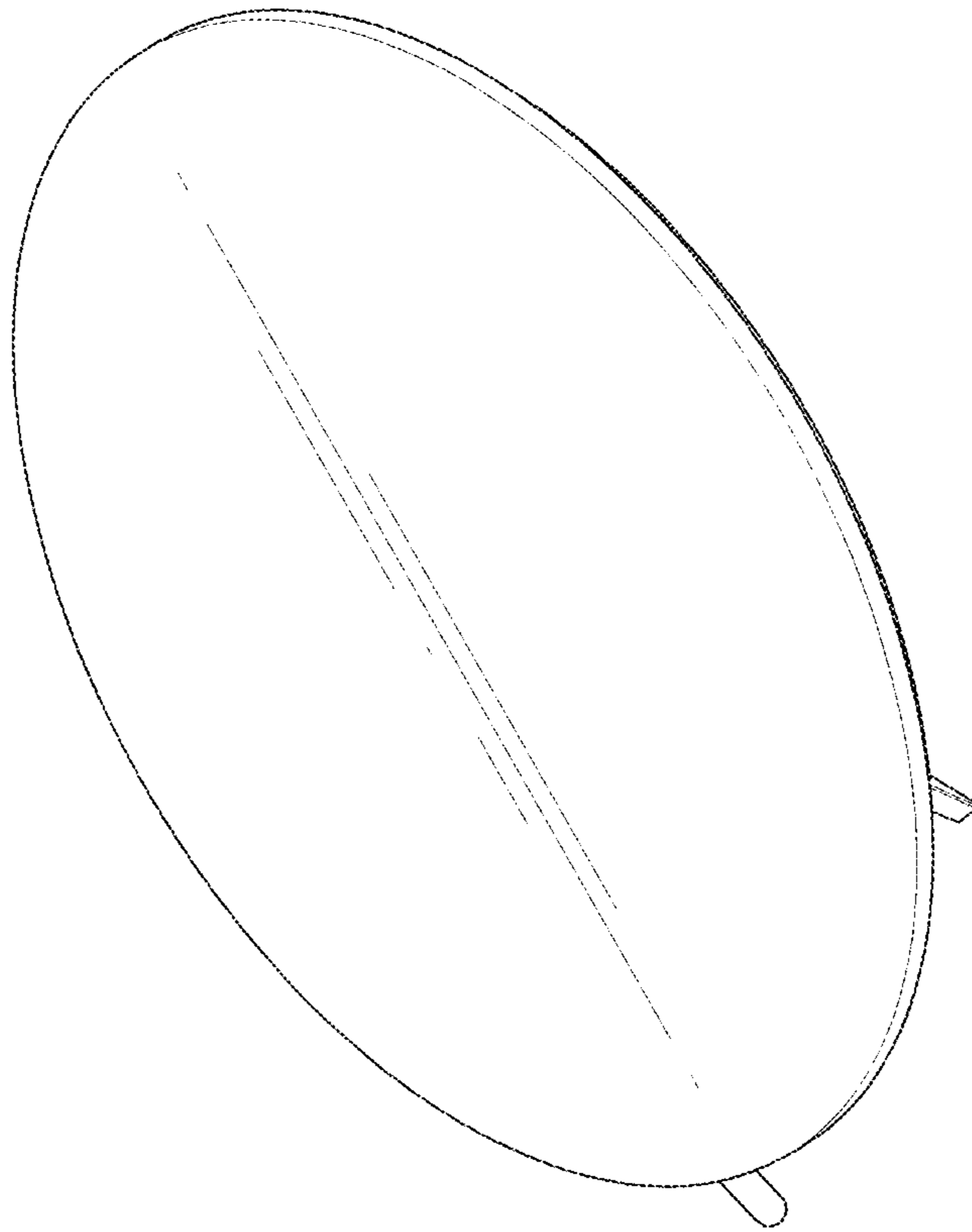


FIG. 2

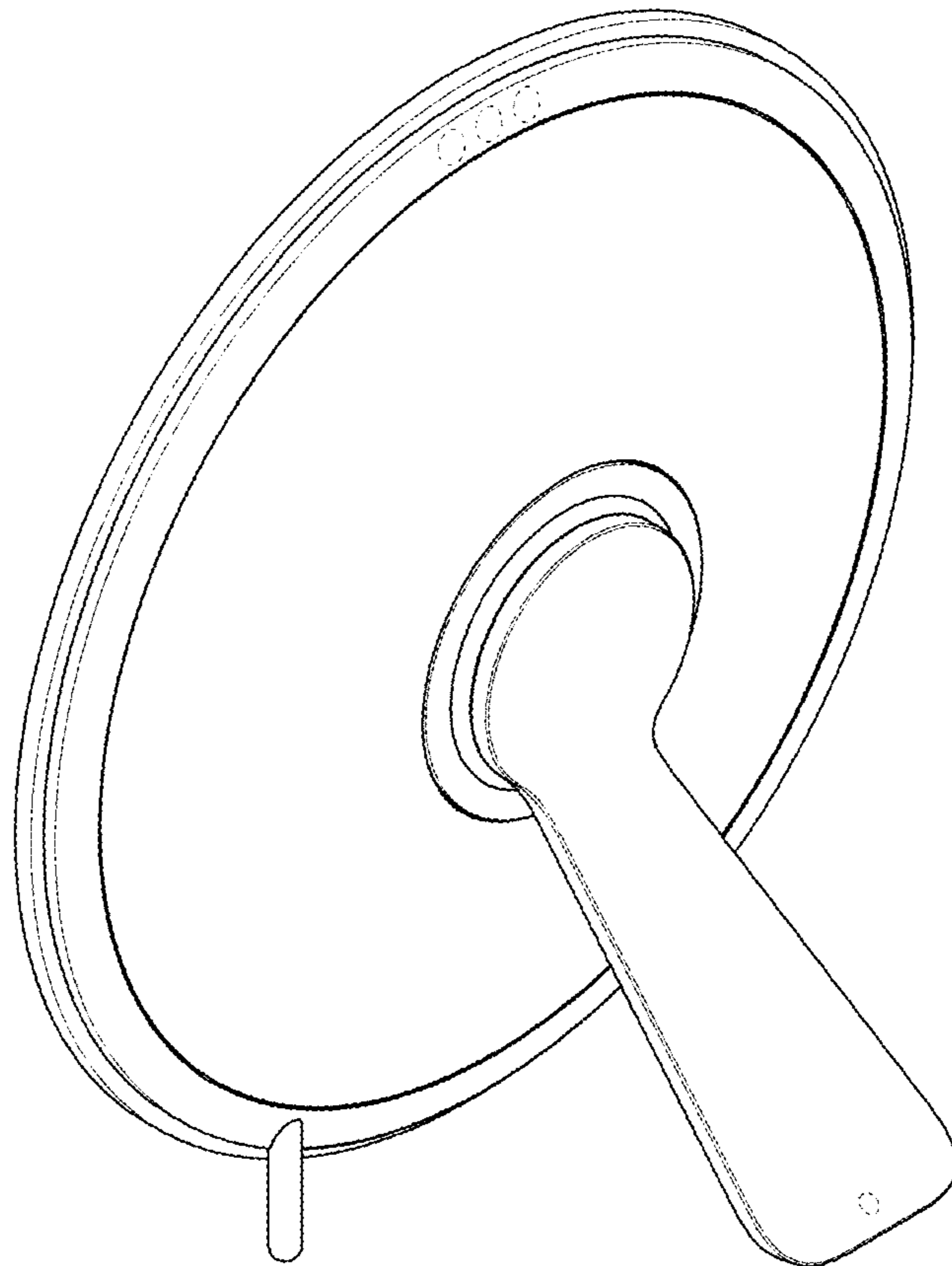


FIG. 3

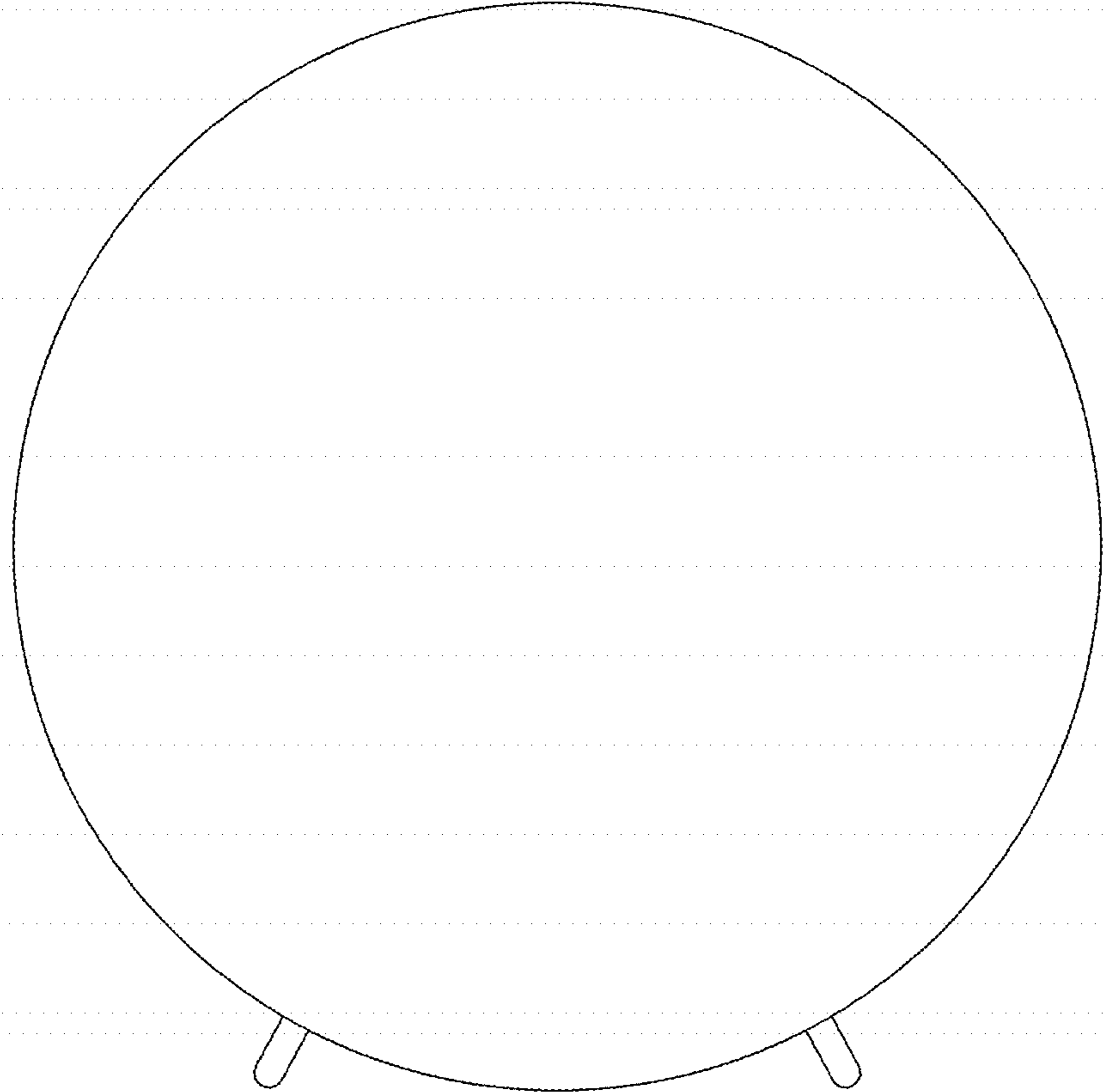


FIG. 4

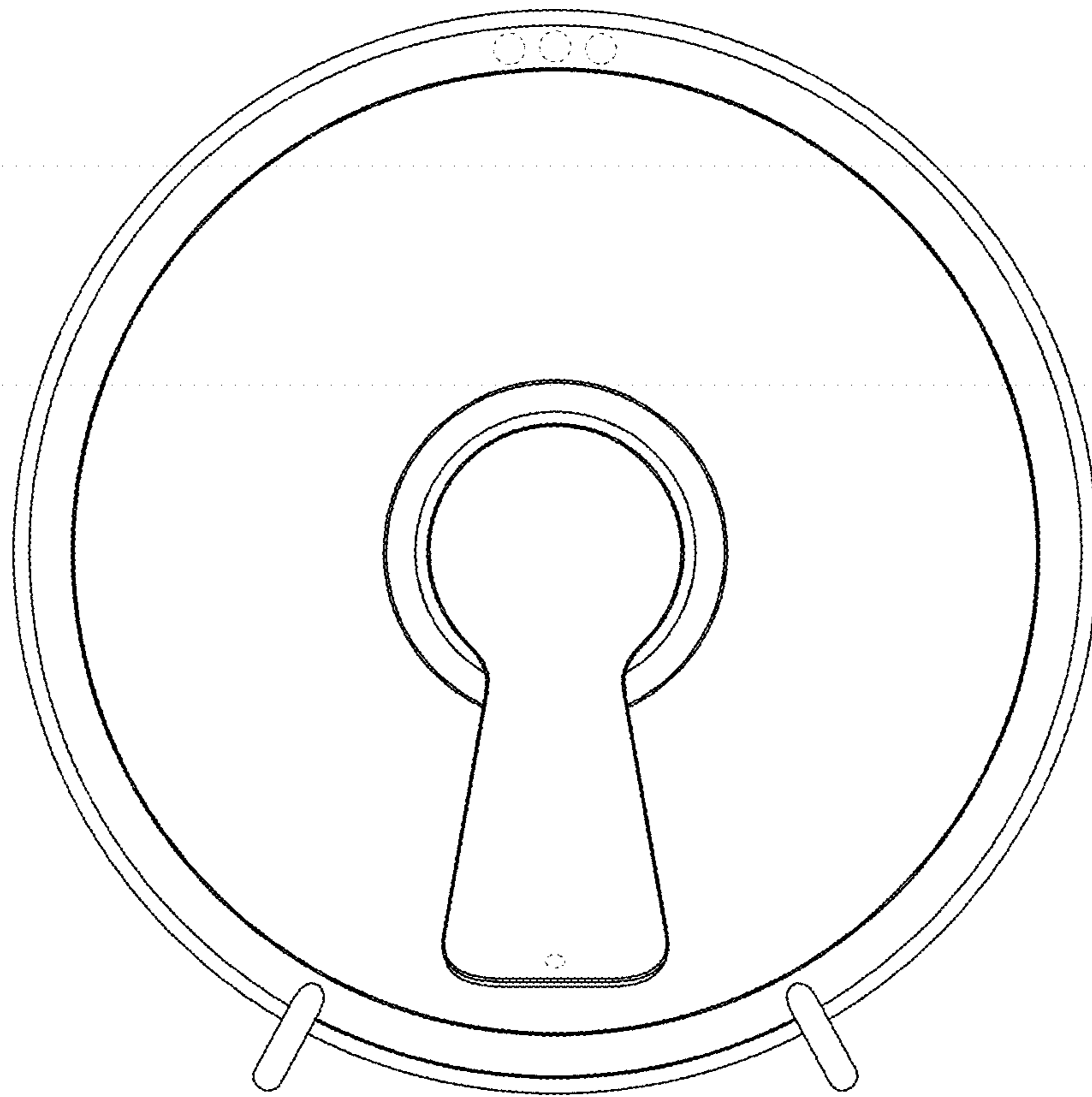


FIG. 5

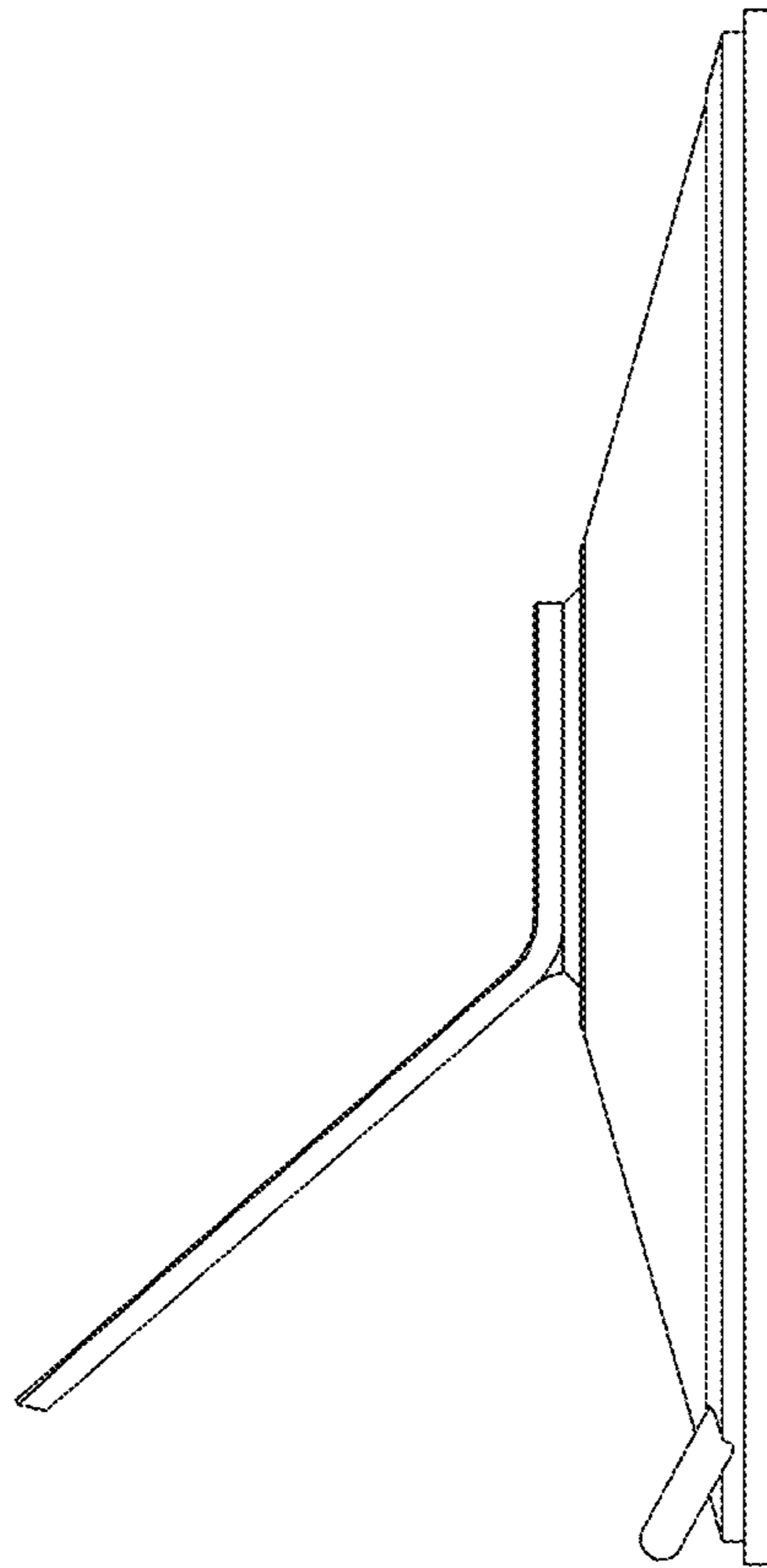


FIG. 6

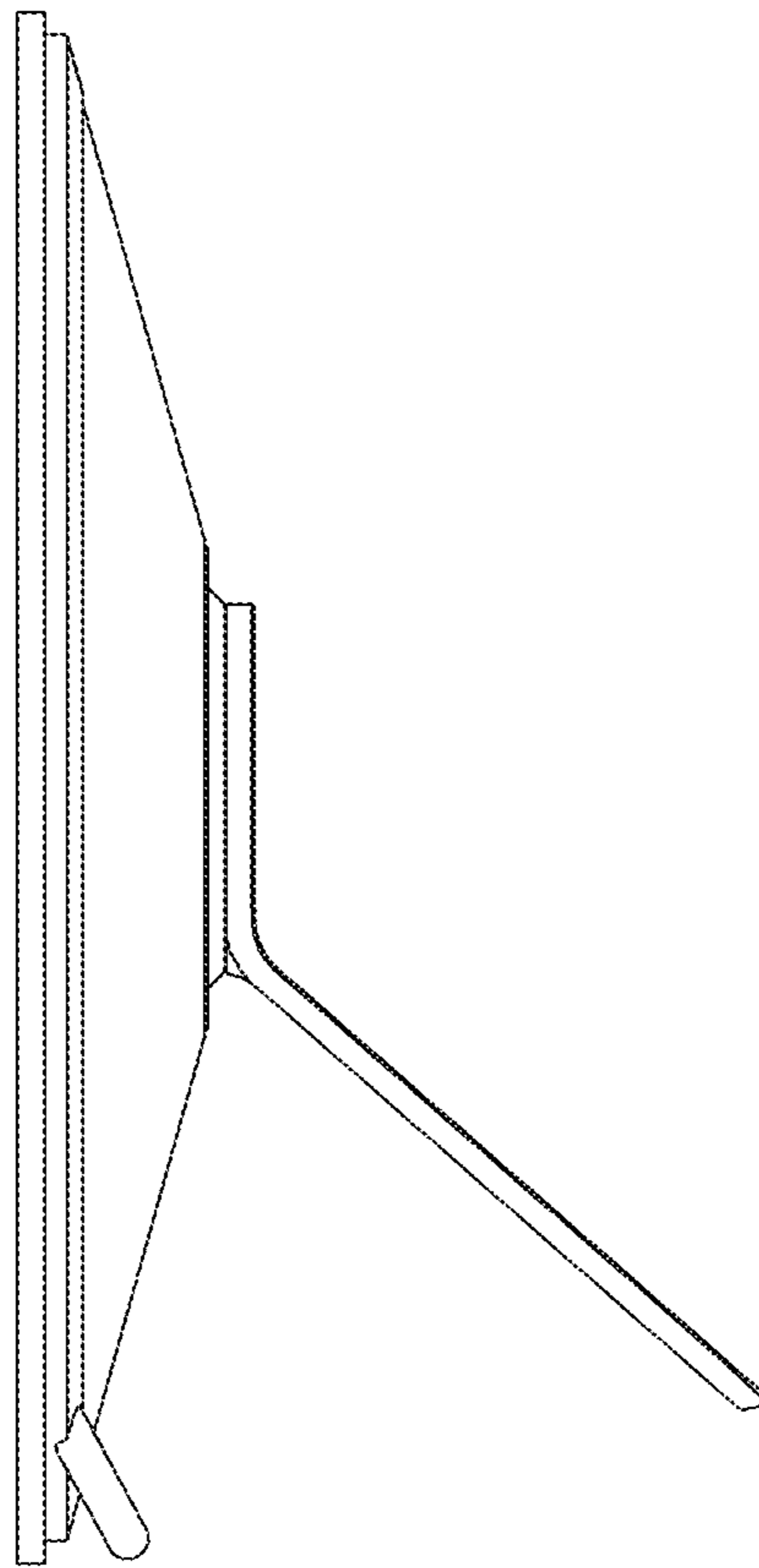


FIG. 7

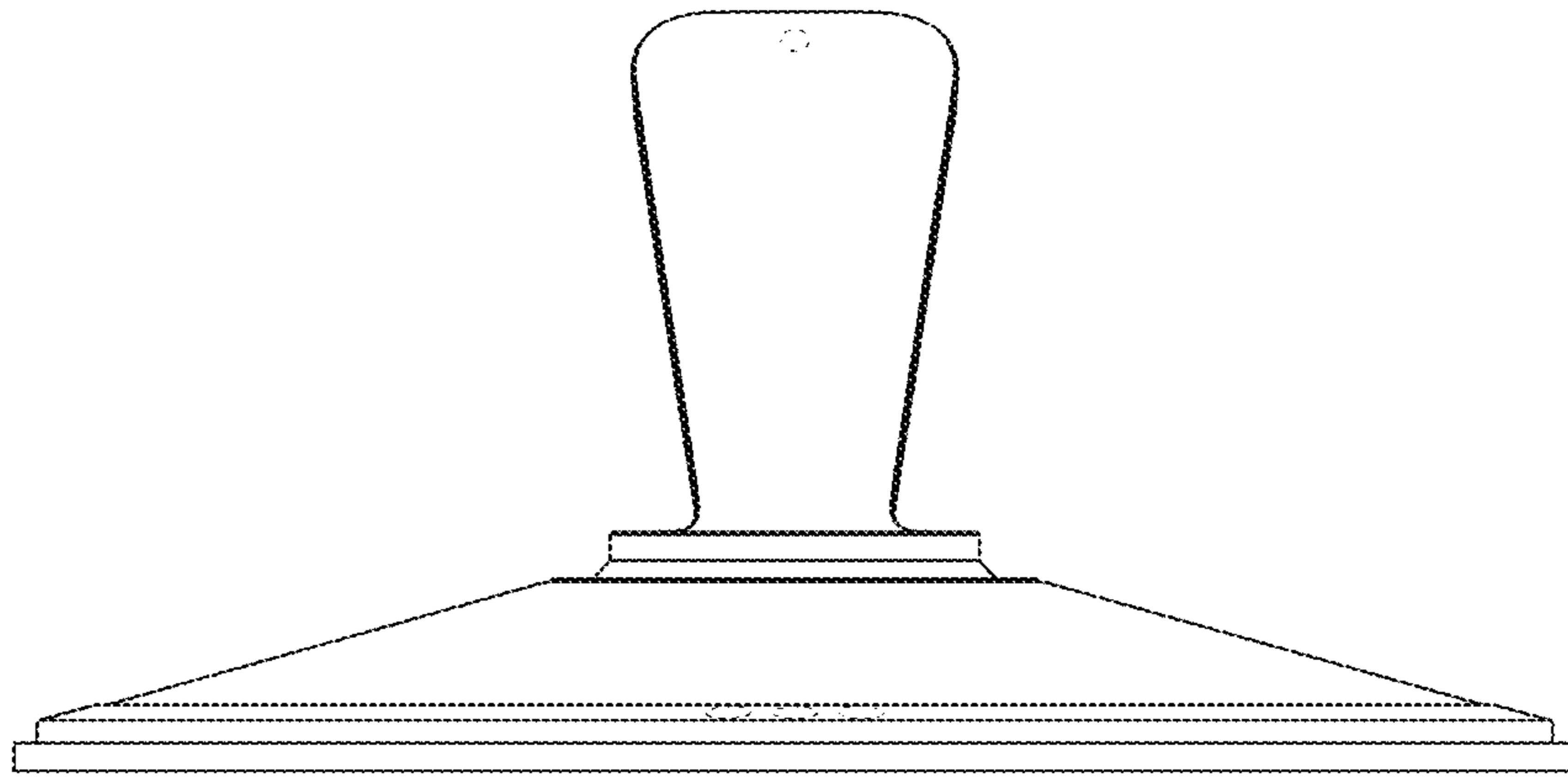


FIG. 8

