



US00D943538S

(12) **United States Design Patent** (10) **Patent No.:** **US D943,538 S**
Shi (45) **Date of Patent:** **** Feb. 15, 2022**

(54) **LED BODY SENSING CONTROLLER**

OTHER PUBLICATIONS

- (71) Applicant: **Jianjie Shi**, Puyang (CN)
- (72) Inventor: **Jianjie Shi**, Puyang (CN)
- (**) Term: **15 Years**
- (21) Appl. No.: **29/778,506**
- (22) Filed: **Apr. 13, 2021**
- (51) **LOC (13) Cl.** **14-03**
- (52) **U.S. Cl.**
USPC **D13/168**; D10/106.6
- (58) **Field of Classification Search**
USPC D13/162, 168; D14/218, 240, 358;
D10/104.1, 106.6; D26/85
CPC G08C 17/02; G09F 23/00; H01H 9/02;
H01H 9/0214; H01H 9/0235; H04B
1/202; F21S 4/00; F21S 4/10; F21S 4/20
See application file for complete search history.

Human Body Motion Induction Sensor Controller,; May 2021; 2 pgs.;<https://www.aliexpress.com/item/32767102283.html>.*

2021 New 360 Degree Radars Motion Sensor Light Switch Body Motion Detector; October 202; 2 pgs.; https://www.aliexpress.com/item/1005001623011029.html?spm=a2g0o.detail.1000014.3.23391cfdN0IXNA&gps-id=pcDetailBottomMoreOtherSeller&scm=1007.33416.213724.0&scm_id=1007.33416.213724.0&scm-url=1007.33416.213724.0&pvid=3.*

Led PIR Sensor Switch Controller Human body Sensor LED Dimmer ; retrieved on Nov. 16, 2021; 2 pgs; <https://www.aliexpress.com/item/32678809972.html>.*

LED Light Bedroom Intelligent Activated Auto On Off Body Movement Switch; retrieved on Nov. 16, 2021; 1 pg.;<https://imall.com/product/LED-Light-Bedroom-Intelligent-Activated-Auto-On-Off-Body-Movement-Infra-red-Strip-PIR-Home-Timer-Switch-Motion-Sensor-DC5-24V/Lights-Lighting-Night/aliexpress.com/4000636102291/568-397>.*

(Continued)

Primary Examiner — Selina Sikder

(74) *Attorney, Agent, or Firm* — Justin Lampel

(56) **References Cited**

U.S. PATENT DOCUMENTS

D354,925 S *	1/1995	Eggers	D10/106.6
D361,058 S *	8/1995	Domel	D13/168
D363,891 S *	11/1995	Gough	D10/106.6
D405,796 S *	2/1999	Uehara	D14/218
D450,337 S *	11/2001	Hamamura	D13/168
D496,653 S *	9/2004	Townsend	D14/240
D664,876 S *	8/2012	Krumpe	D10/106.6
9,332,615 B1 *	5/2016	Peng	H01H 9/0228
D829,121 S *	9/2018	Colasse	D10/106.1
D840,954 S *	2/2019	Wu	D13/168
D851,807 S *	6/2019	Wu	D26/85
D887,374 S *	6/2020	Gong	D13/168
D890,002 S *	7/2020	Cound	D10/70
D896,112 S *	9/2020	Li	D10/70
D910,580 S *	2/2021	Zhu	D13/168
D911,295 S *	2/2021	Chen	D13/168
D916,034 S *	4/2021	Shi	
D917,404 S *	4/2021	Xu	D13/168
D921,954 S *	6/2021	Jiang	D26/72
D928,004 S *	8/2021	Nguyen	D10/104.1

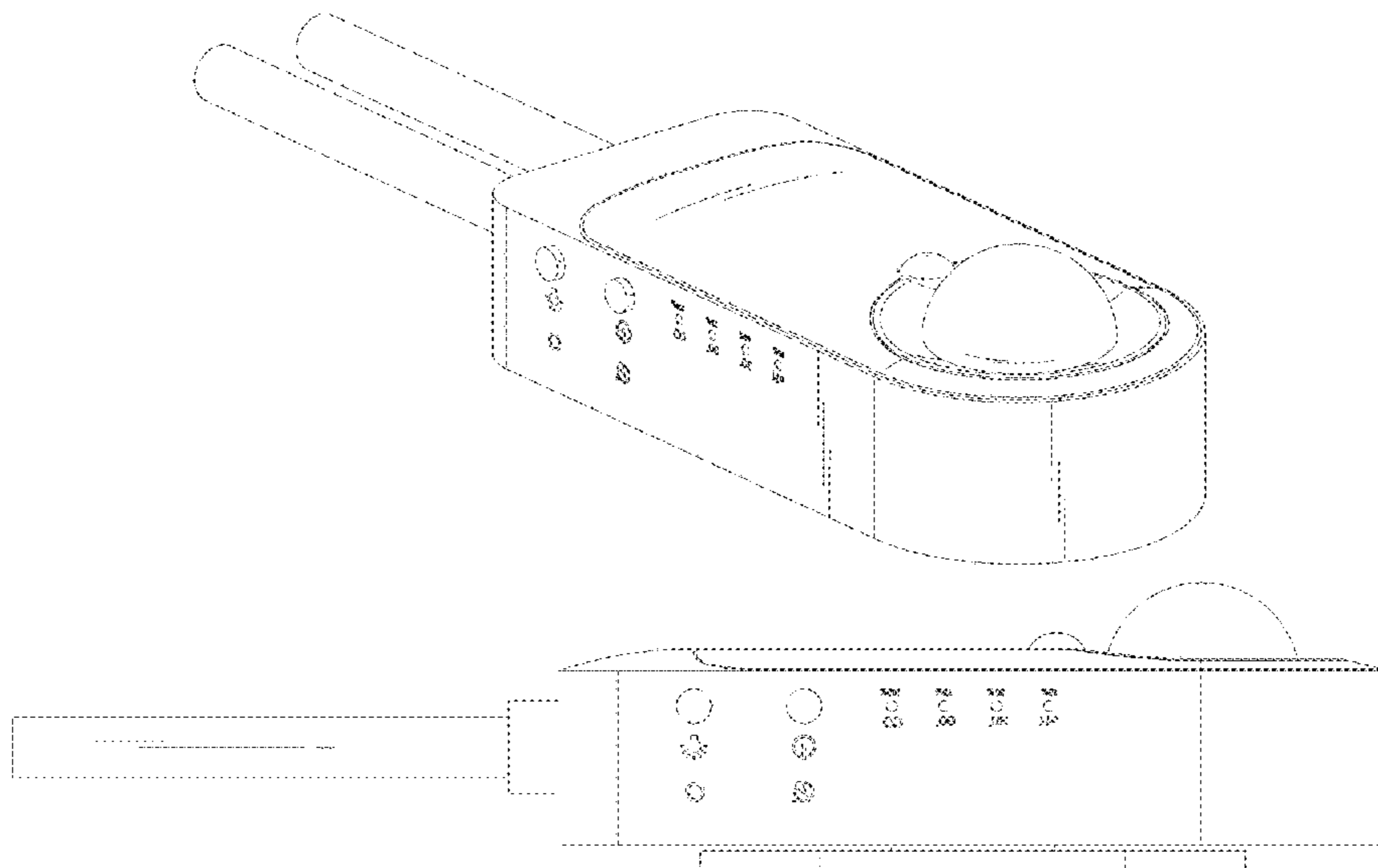
(57) **CLAIM**

The ornamental design for a LED body sensing controller, as shown and described.

DESCRIPTION

FIG. 1 is a perspective view of a LED body sensing controller showing the claimed design;
 FIG. 2 is a top plan view thereof;
 FIG. 3 is a left side view thereof;
 FIG. 4 is a front elevational view thereof;
 FIG. 5 is a right side view thereof;
 FIG. 6 is a rear elevational view thereof; and,
 FIG. 7 is a bottom plan view thereof.
 The broken lines illustrate portions of the LED body sensing controller that form no part of the claimed design.

1 Claim, 7 Drawing Sheets



(56)

References Cited

OTHER PUBLICATIONS

Infrared Motion Sensor Detector Control Photosensitive Sensor Switch for LED Strip; retrieved on Nov. 16, 2021; 2 pgs.;<http://innovashinotech.com/products/198-DC5V-24V-4A-PIR-Body-Infrared-Motion-Sensor-Detector-Control-Photosensitive-Sensor-Switch-for-LED-Strip-Light-DC-Connector.html>.*

DC5V Human Body Induction LED Strip Light Kit Cabinet Wardrobe Light; retrieved on Nov. 16, 2021; 2 pgs.;<https://www.superlightingled.com/dc5v-2835-human-body-induction-battery-lde-strip-light-kit-cabinet-light-wardrobe-light-bed-light-p.3267.html>.*

* cited by examiner

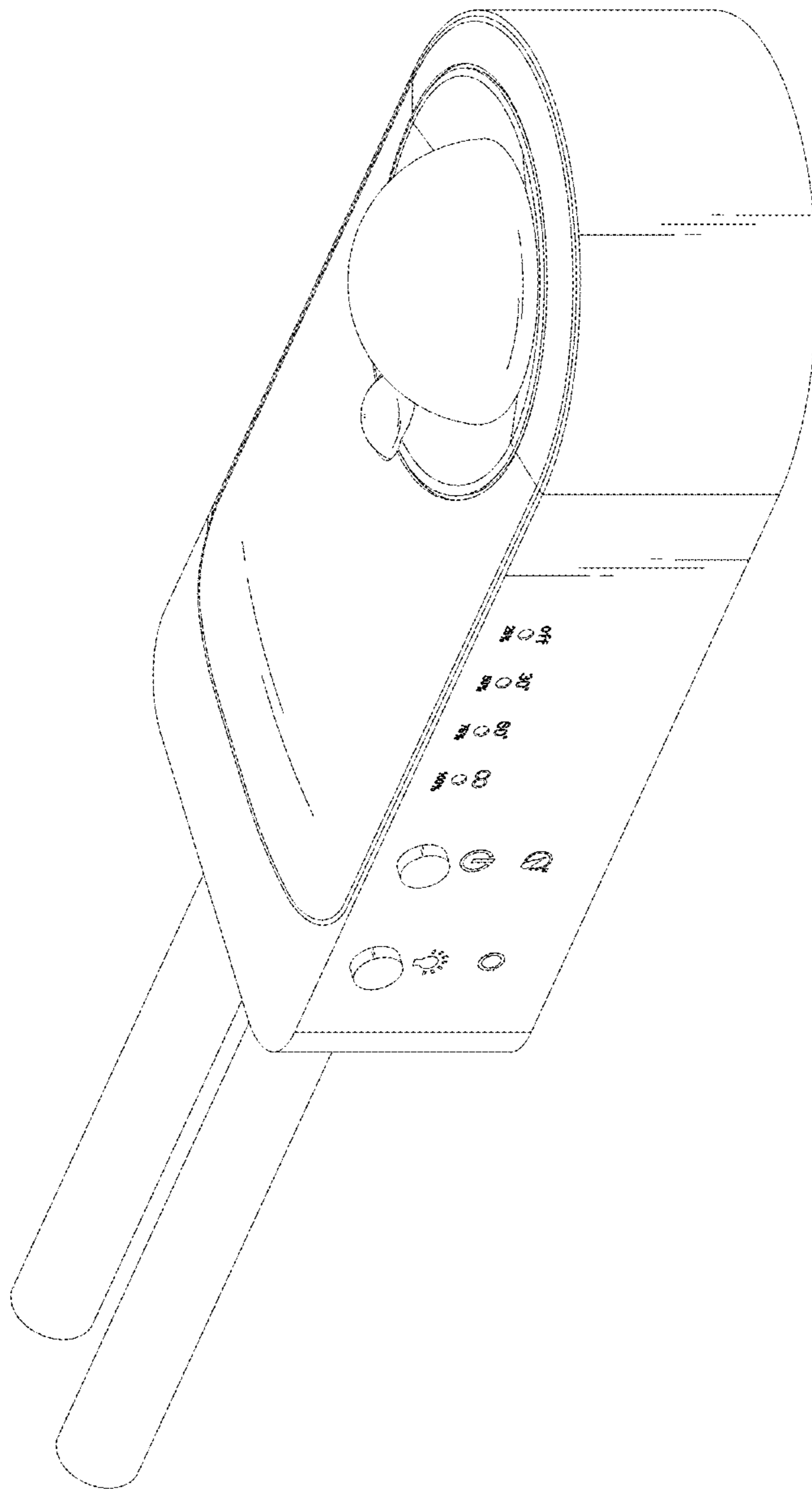


FIG. 1

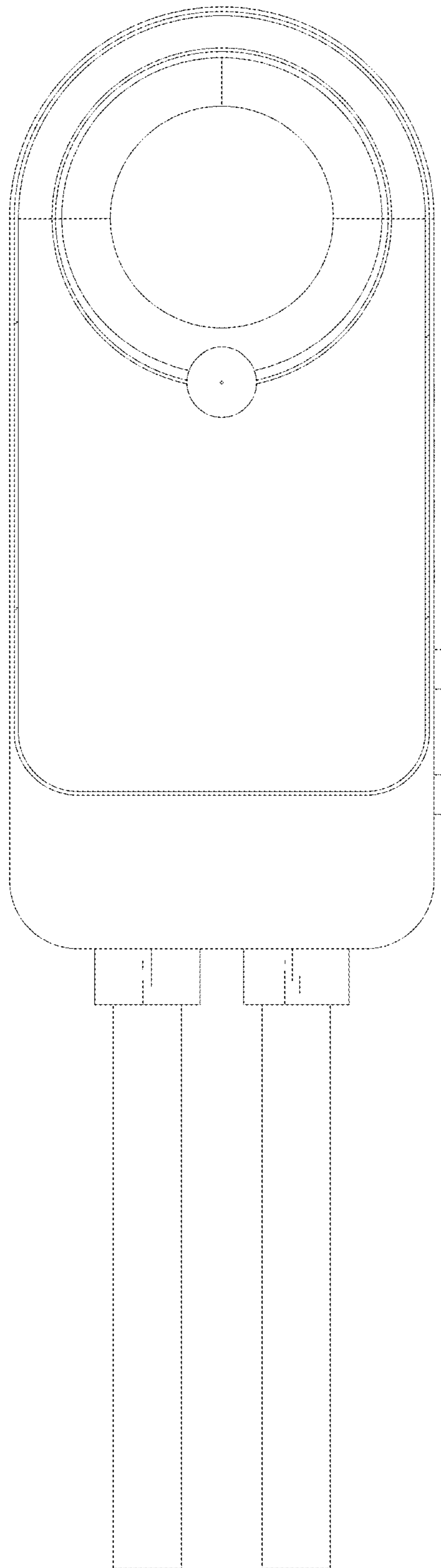


FIG. 2

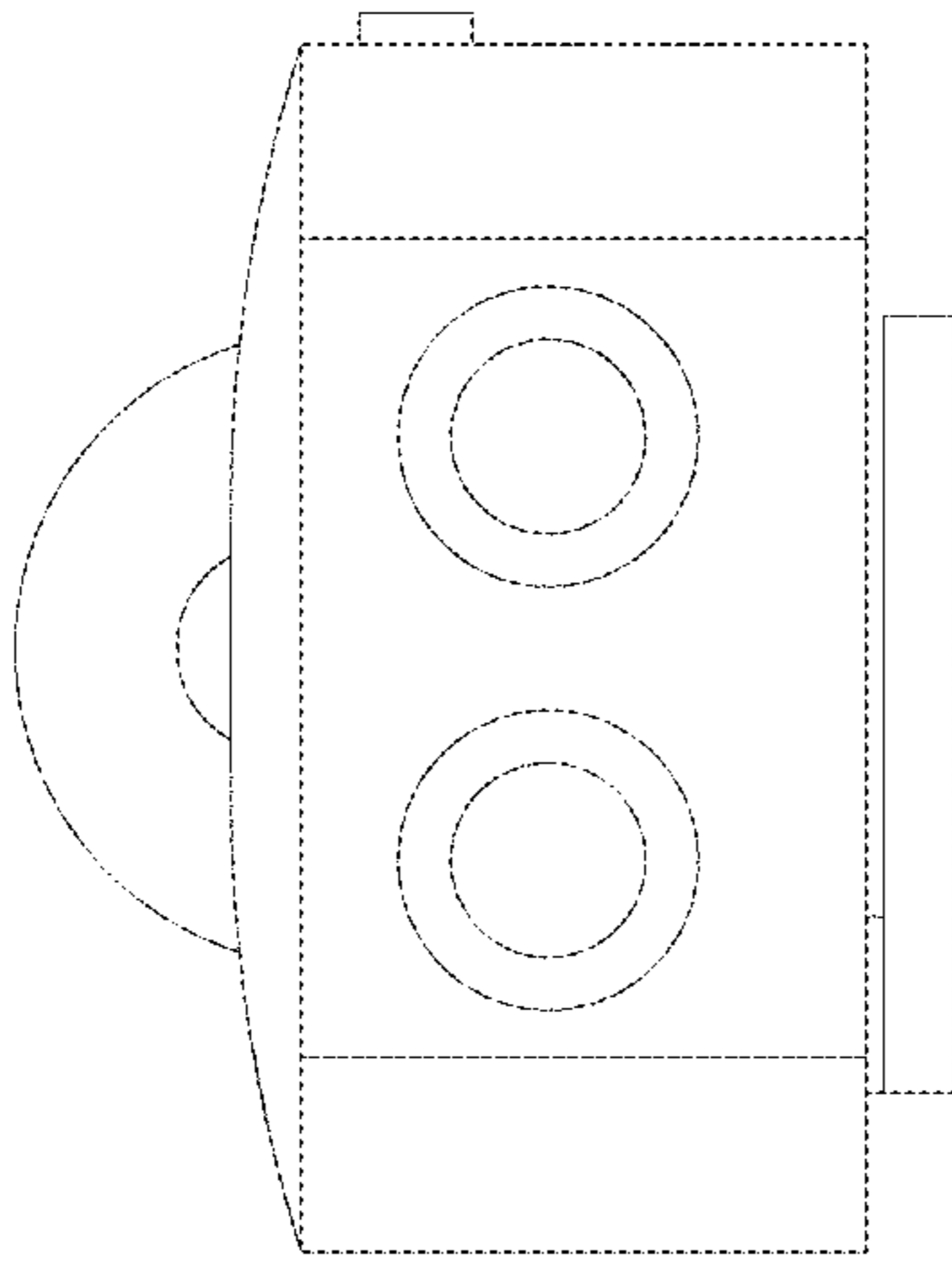


FIG. 3

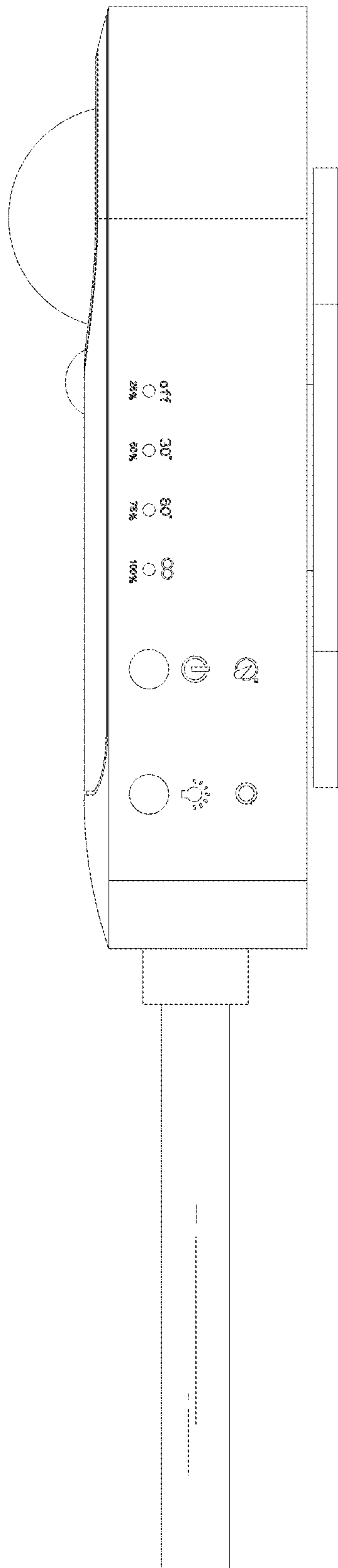


FIG. 4

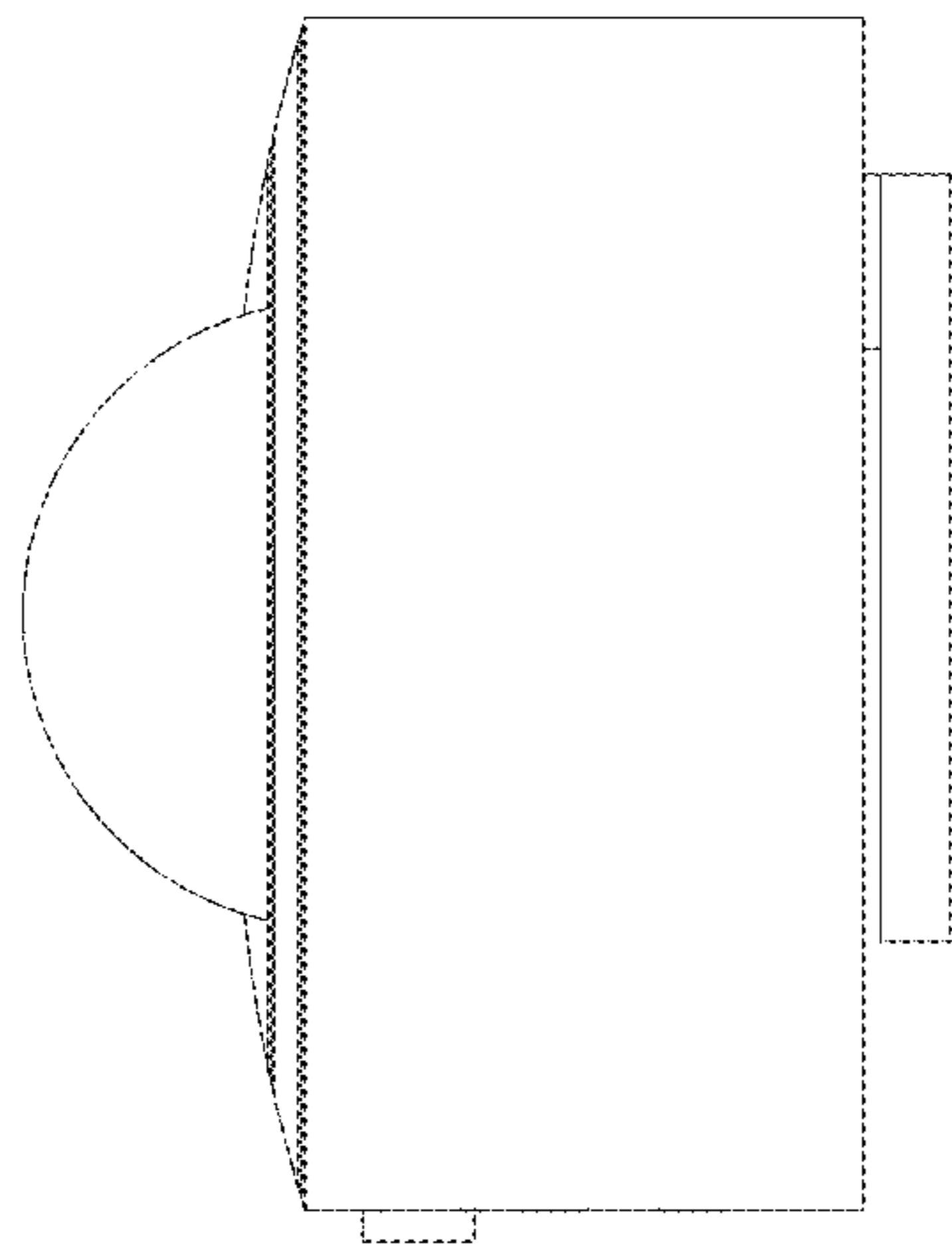


FIG. 5

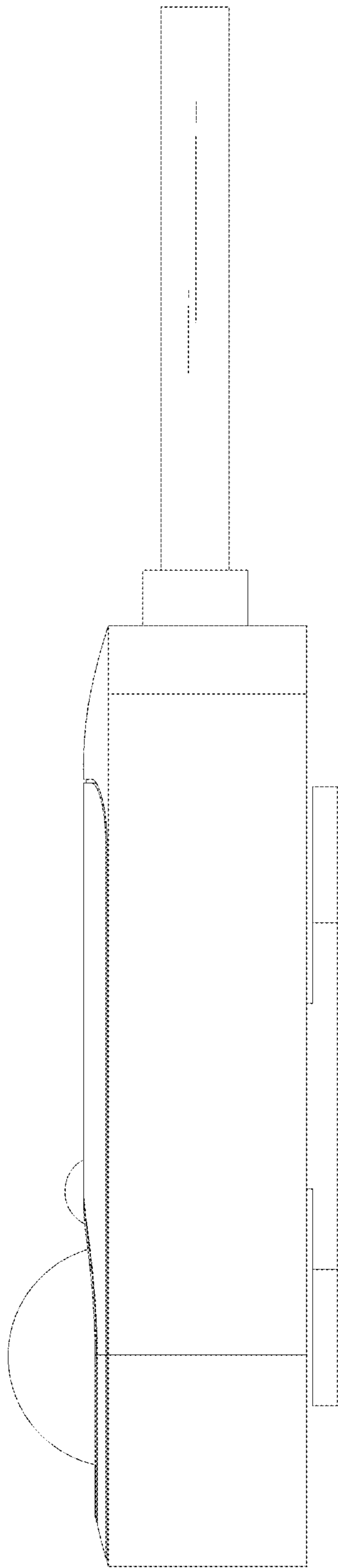


FIG. 6

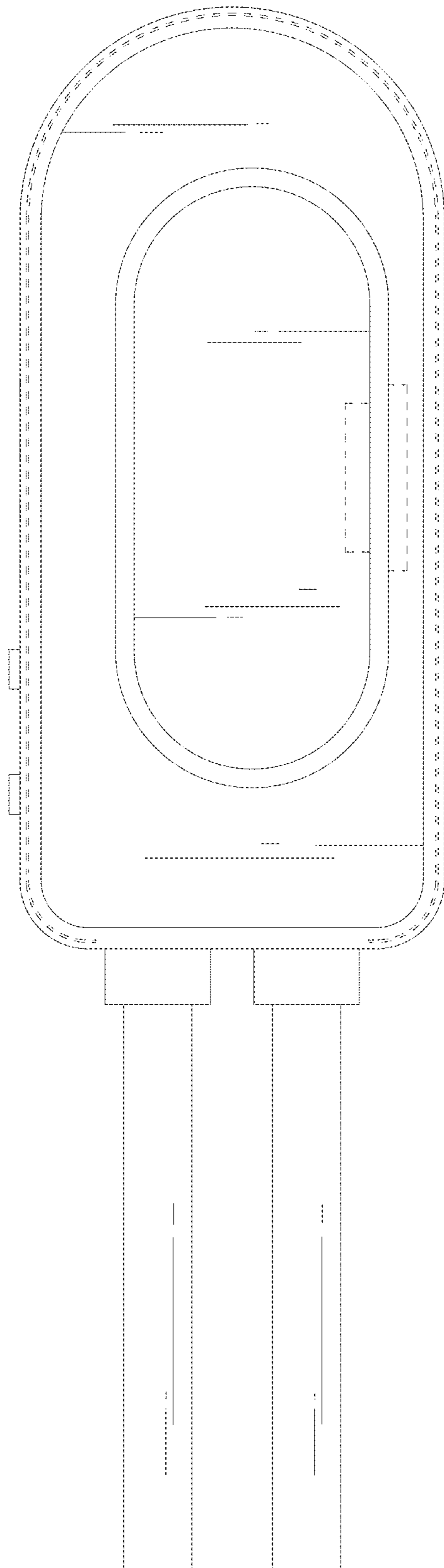


FIG. 7