



US00D943537S

(12) **United States Design Patent** (10) **Patent No.:** **US D943,537 S**
Su (45) **Date of Patent:** **** Feb. 15, 2022**

(54) **RV CIRCUIT TESTER**
(71) Applicant: **Peng Su**, Zhejiang (CN)
(72) Inventor: **Peng Su**, Zhejiang (CN)
(73) Assignee: **HANGZHOU SWEET I&E CO., LTD.**, Zhejiang (CN)
(**) Term: **15 Years**
(21) Appl. No.: **29/745,419**
(22) Filed: **Aug. 6, 2020**
(51) **LOC (13) Cl.** **13-03**
(52) **U.S. Cl.**
USPC **D13/160; D10/75**
(58) **Field of Classification Search**
USPC D13/110, 101, 107, 108, 118, 133,
D13/137.1-137.4, 138.1, 138.2, 139.1,
D13/146, 160, 184, 199; D10/75, 78
CPC H01R 4/66; H01R 13/44; H01R 13/4534;
H01R 13/639; H01R 13/6633; H01R
27/00; H01R 27/02; H01R 29/00; H01R
31/06; H02M 1/10; Y10S 439/911
See application file for complete search history.

(56) **References Cited**
U.S. PATENT DOCUMENTS
5,919,060 A * 7/1999 Lee H01R 27/00
439/518
D454,538 S * 3/2002 Glickman D13/110
D520,451 S * 5/2006 Stekelenburg D13/137.3
D556,067 S * 11/2007 Fugman D10/78
D562,766 S * 2/2008 Yang D13/110
D576,552 S * 9/2008 Caine D13/137.2
D652,800 S * 1/2012 Liang-Hsu D13/138.2
D660,235 S * 5/2012 Liang-Hsu D13/138.2
D685,736 S * 7/2013 Inskeep D13/110

D700,144 S * 2/2014 Benedict D13/147
D722,020 S * 2/2015 Benedict D13/110
D872,035 S * 1/2020 Aromin D13/160
10,644,438 B2 * 5/2020 Li H01R 13/62916
2007/0032109 A1 * 2/2007 Hung H01R 13/6675
439/172

* cited by examiner

Primary Examiner — Derrick E Holland

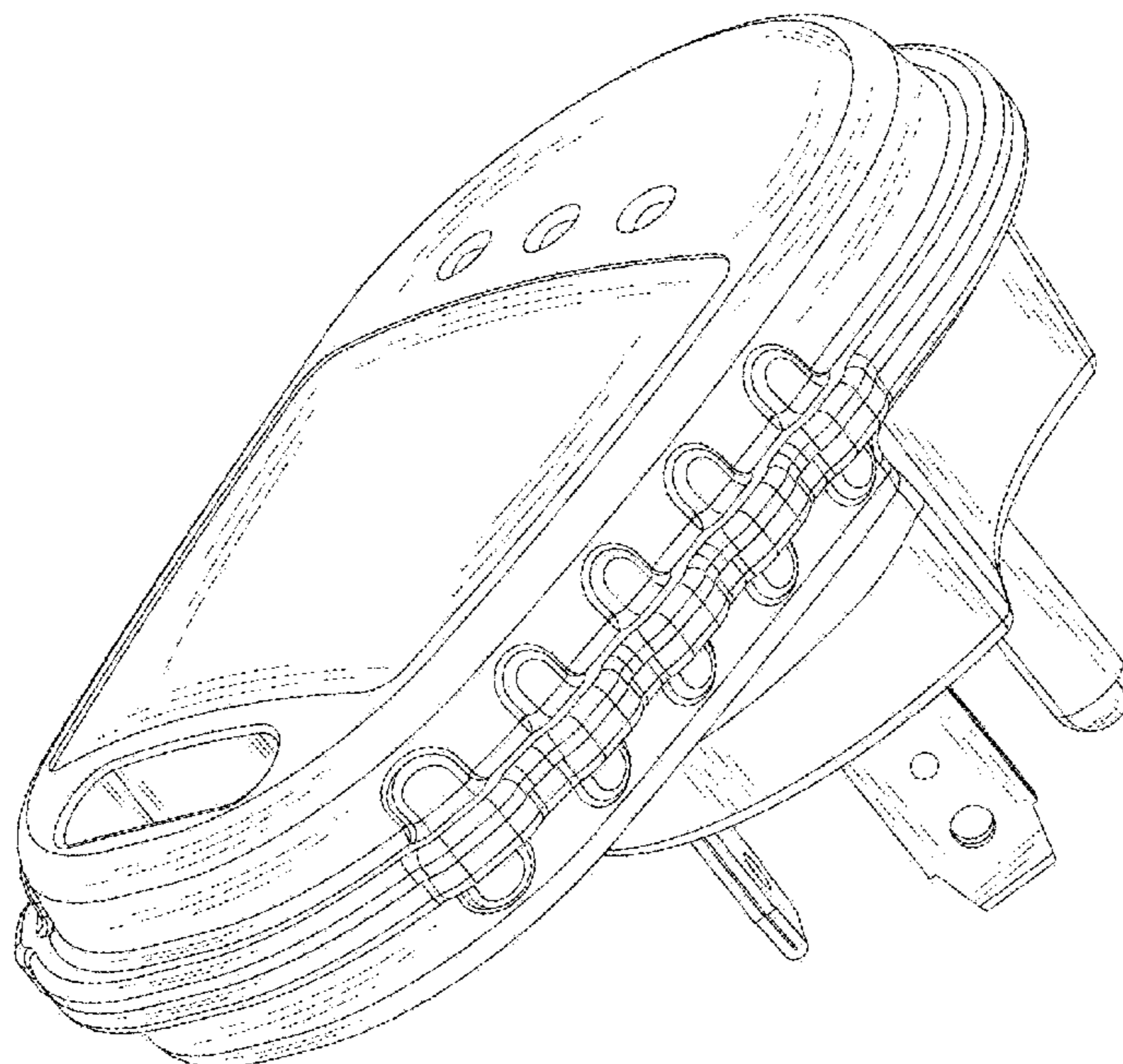
(57) **CLAIM**

The ornamental design for a RV circuit tester, as shown and described.

DESCRIPTION

FIG. 1 is a perspective view of a first embodiment of a RV circuit tester showing my new design;
FIG. 2 is a front elevation view of the first embodiment;
FIG. 3 is a rear elevation view of the first embodiment;
FIG. 4 is a left side elevation view of the first embodiment;
FIG. 5 is a right side elevation view of the first embodiment;
FIG. 6 is a top plan view of the first embodiment;
FIG. 7 is a bottom plan view of the first embodiment;
FIG. 8 is a front and left perspective view of a second embodiment of a RV circuit tester showing my new design;
FIG. 9 is a rear, right and top perspective view of the second embodiment;
FIG. 10 is a front elevation view of the second embodiment;
FIG. 11 is a rear elevation view of the second embodiment;
FIG. 12 is a left side elevation view of the second embodiment;
FIG. 13 is a right side elevation view of the second embodiment;
FIG. 14 is a top plan view of the second embodiment; and,
FIG. 15 is a bottom plan view of the second embodiment.

1 Claim, 15 Drawing Sheets



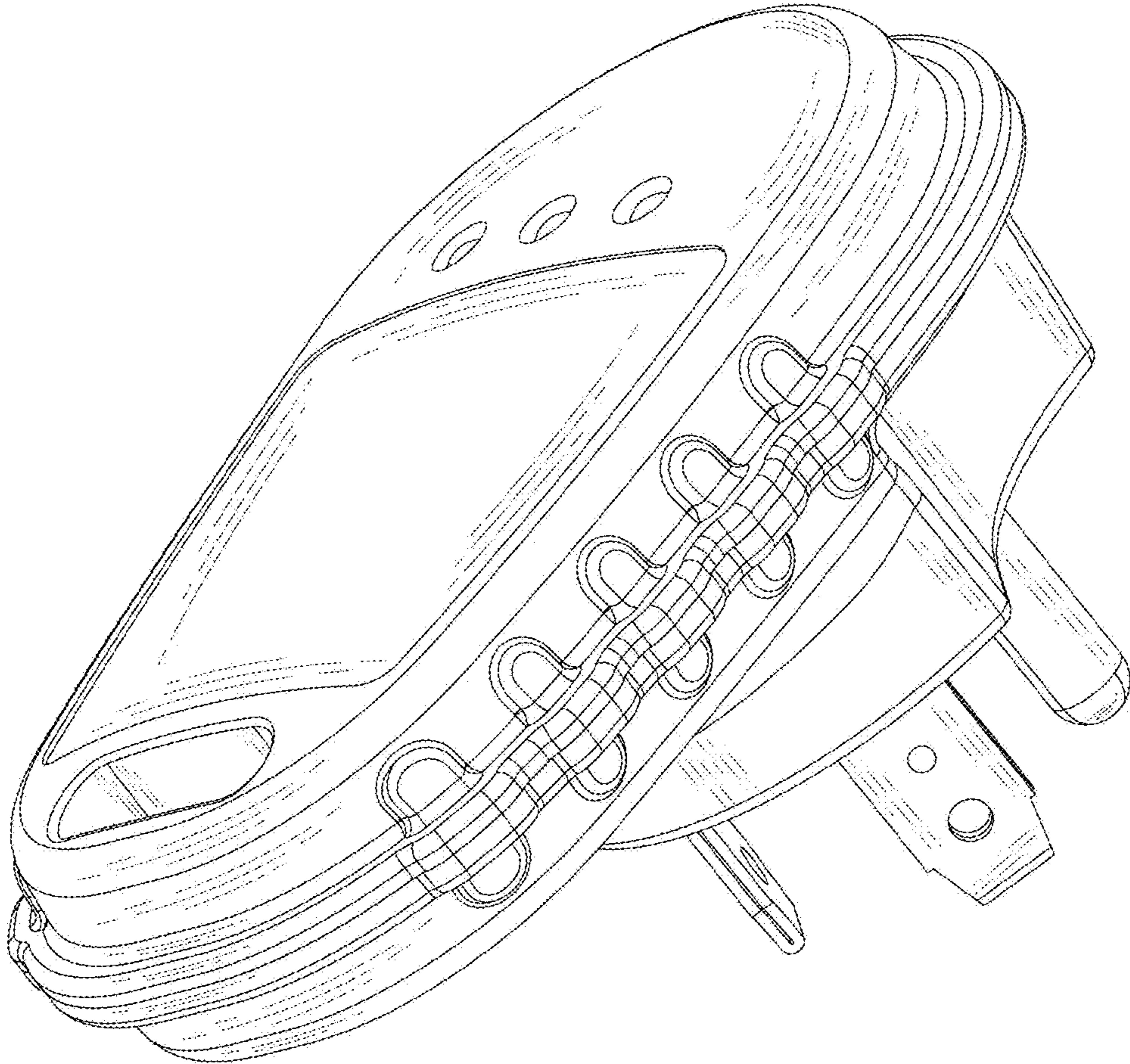


FIG.1

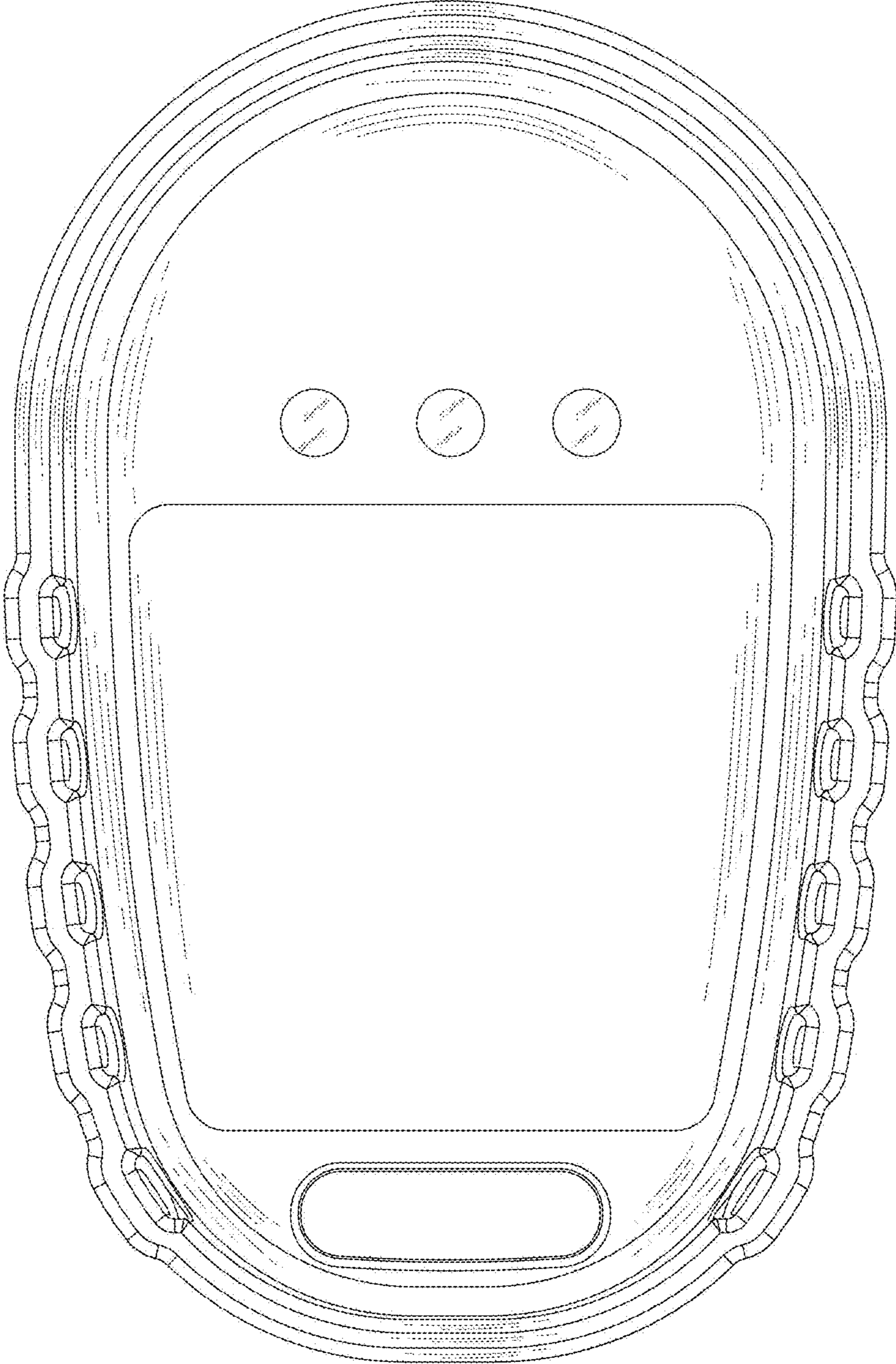


FIG.2

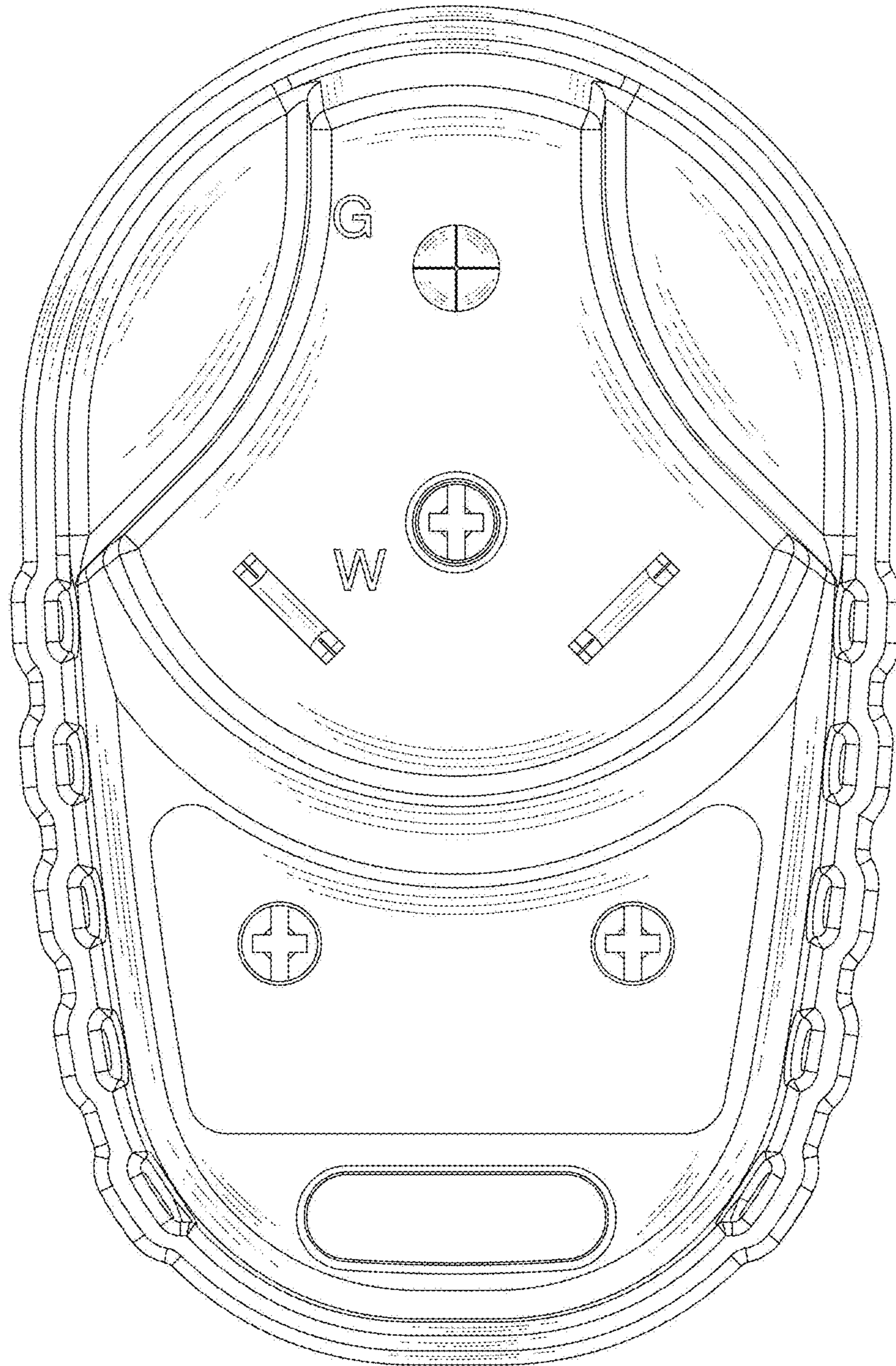


FIG.3

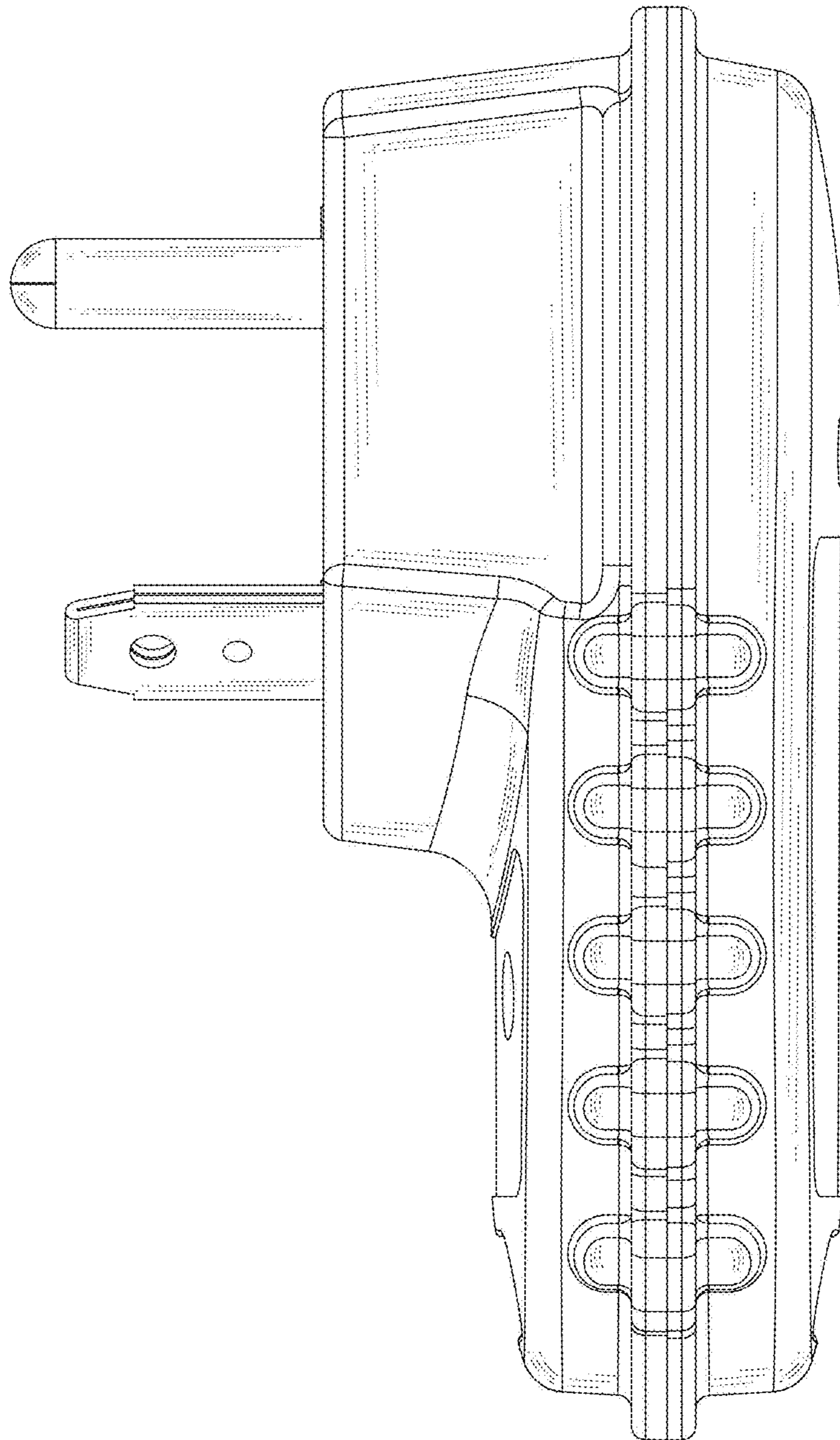


FIG.4

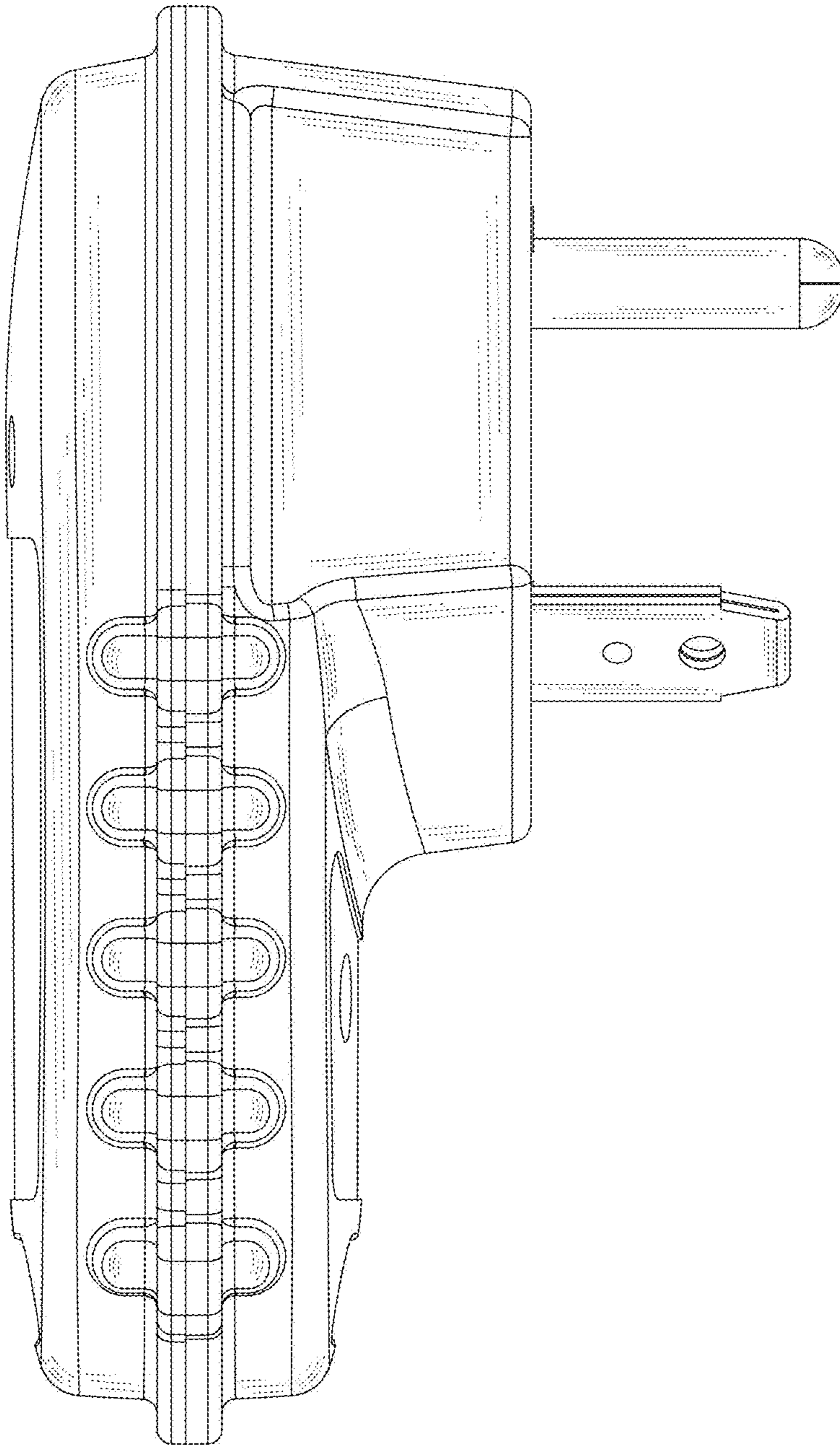


FIG.5

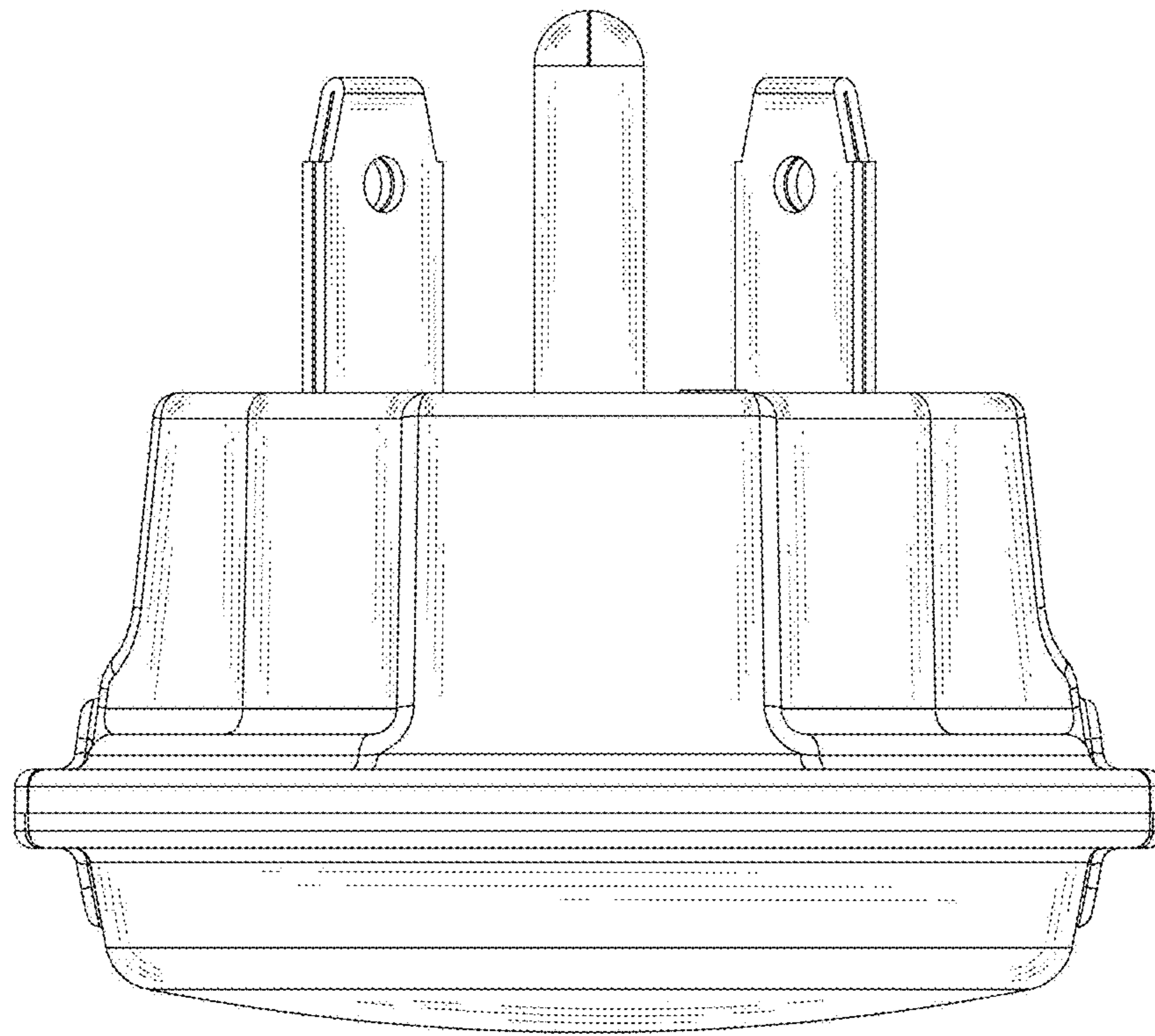


FIG.6

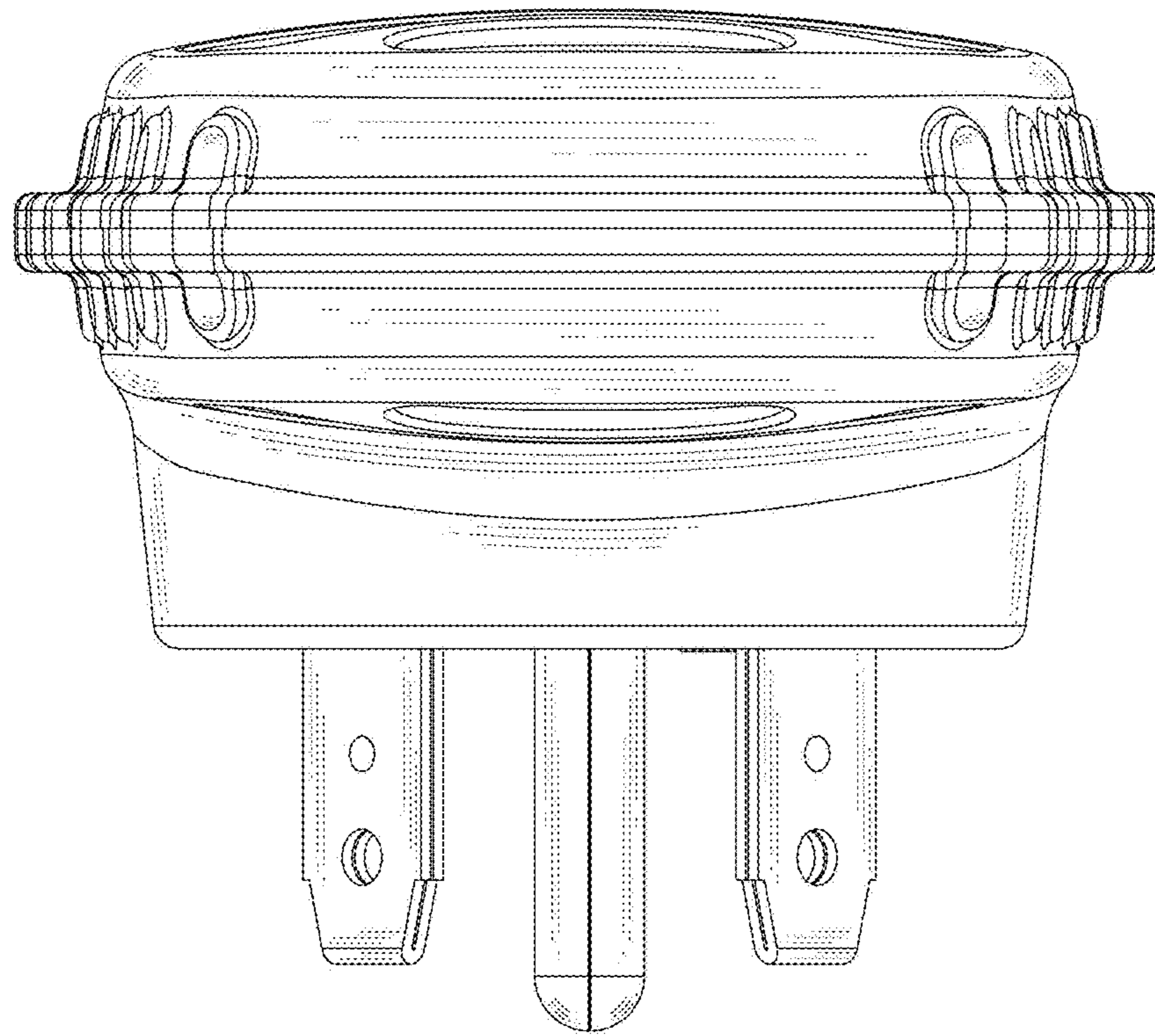


FIG. 7

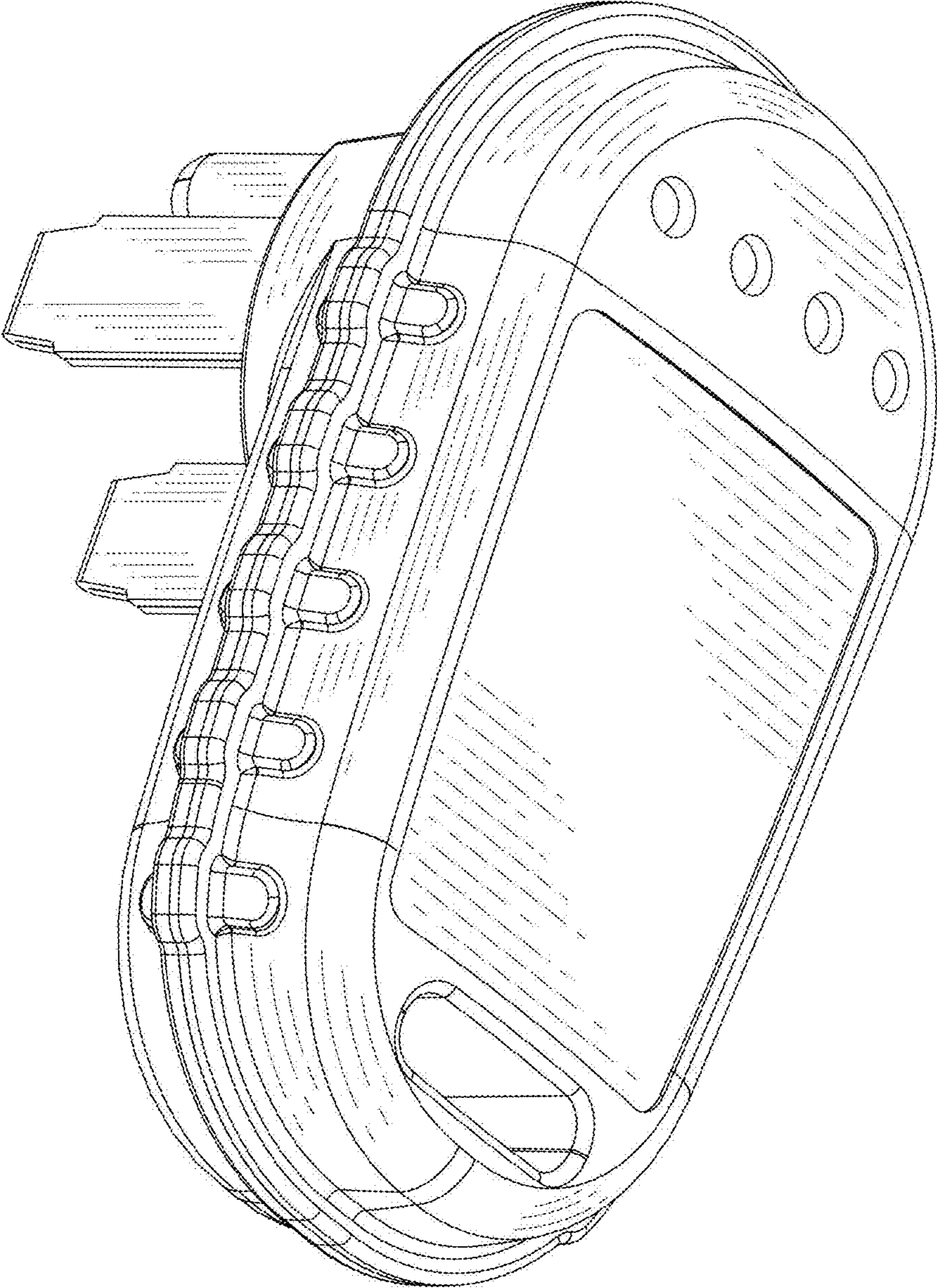


FIG. 8

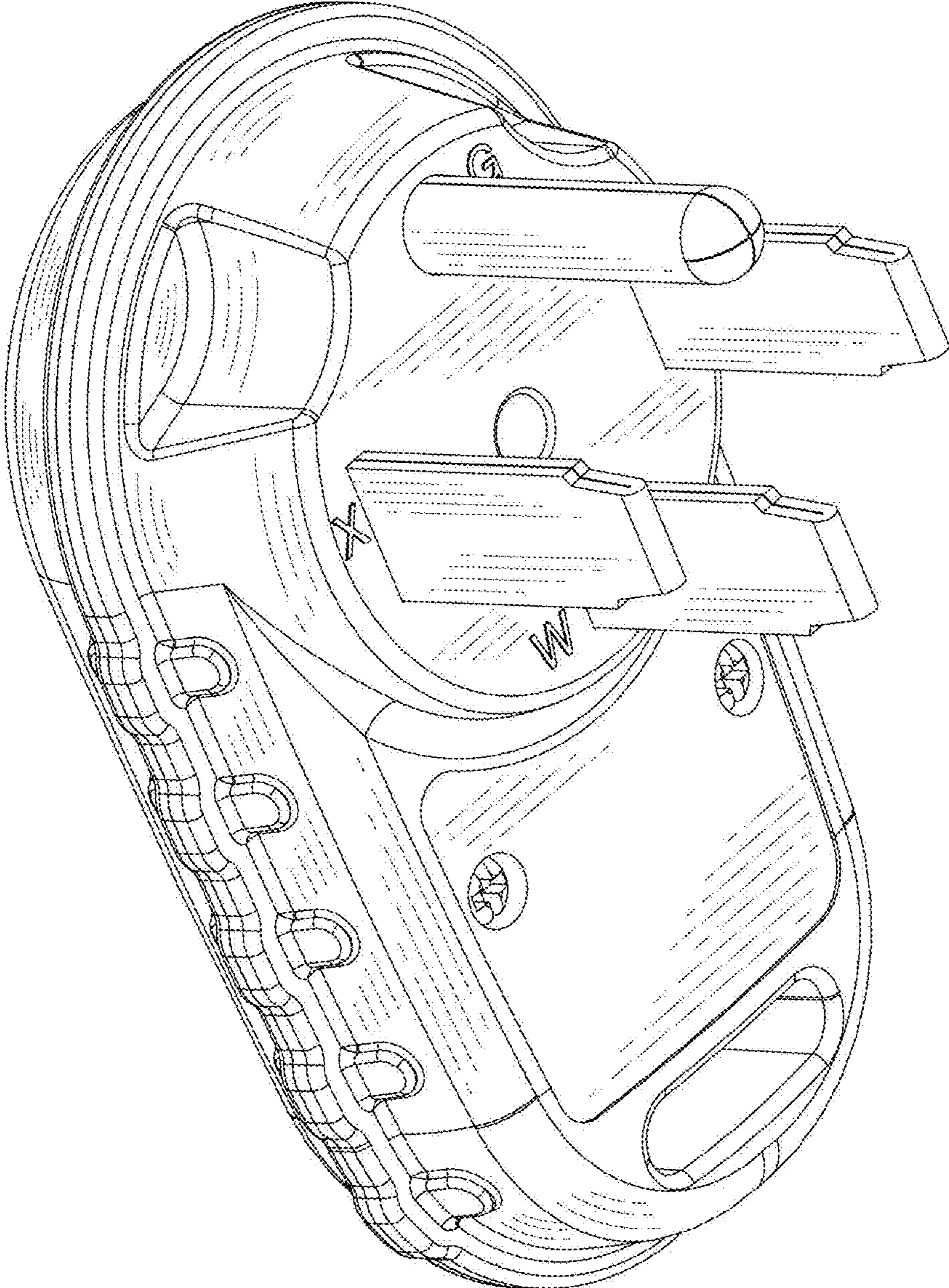


FIG. 9

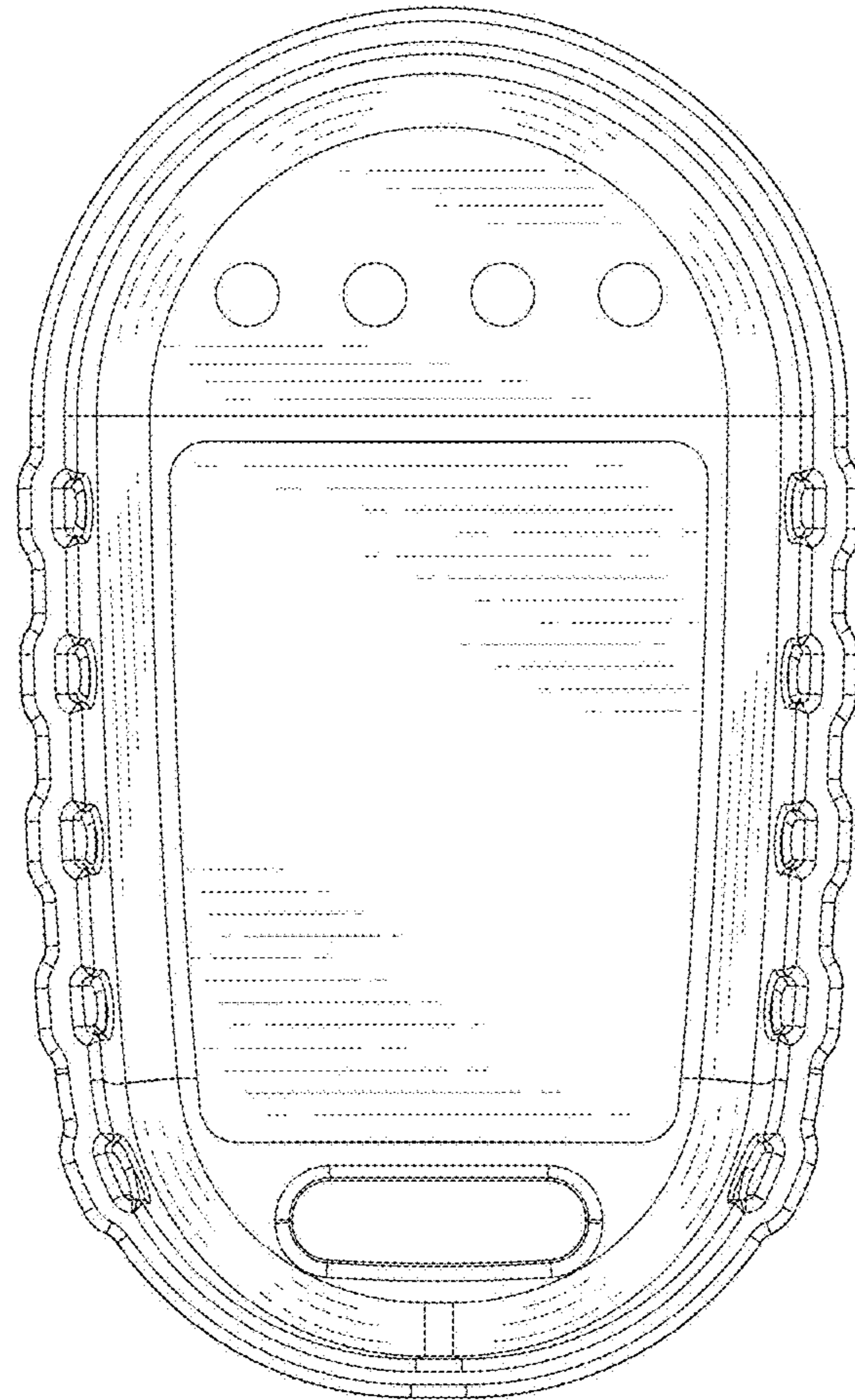


FIG. 10

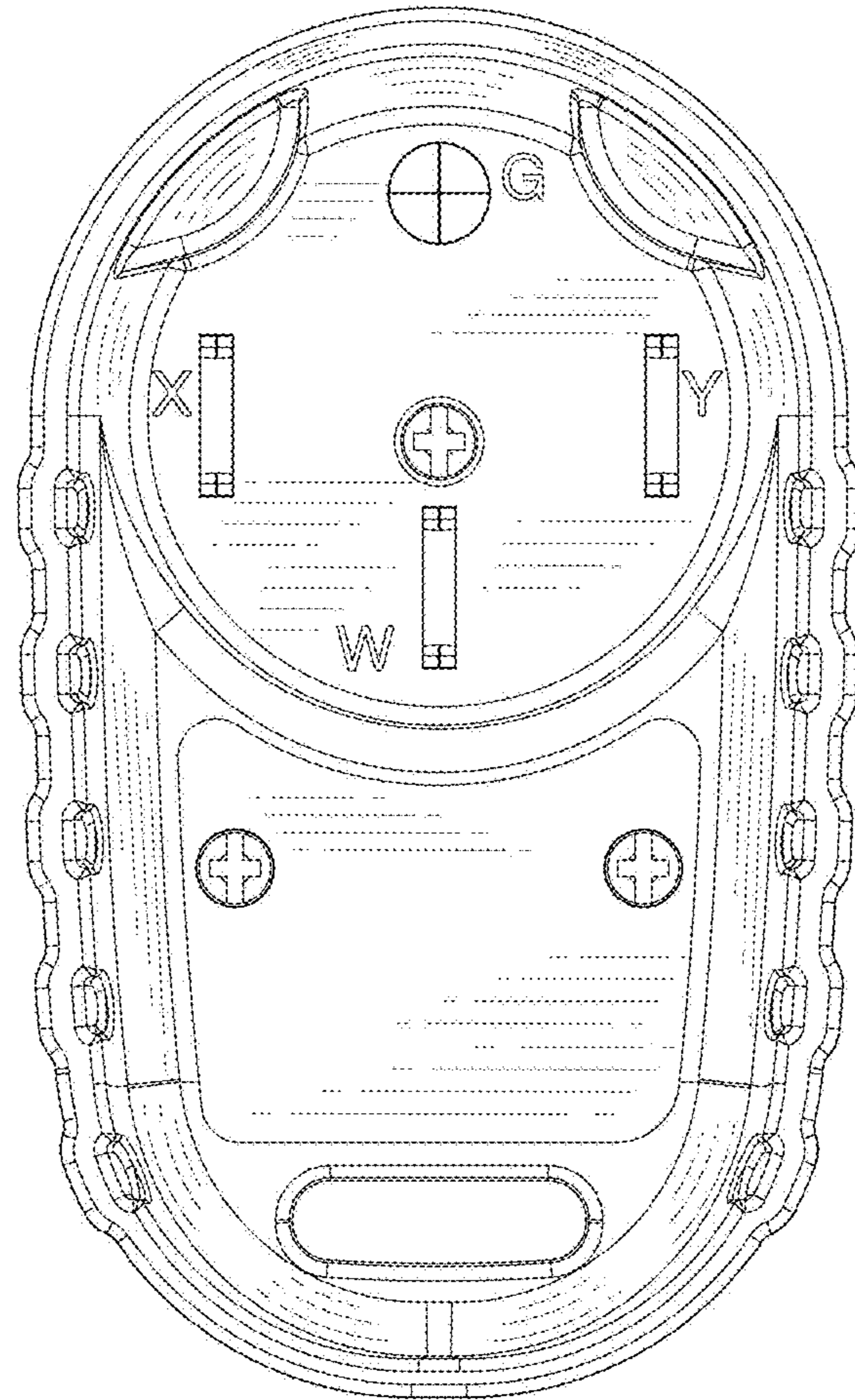


FIG. 11

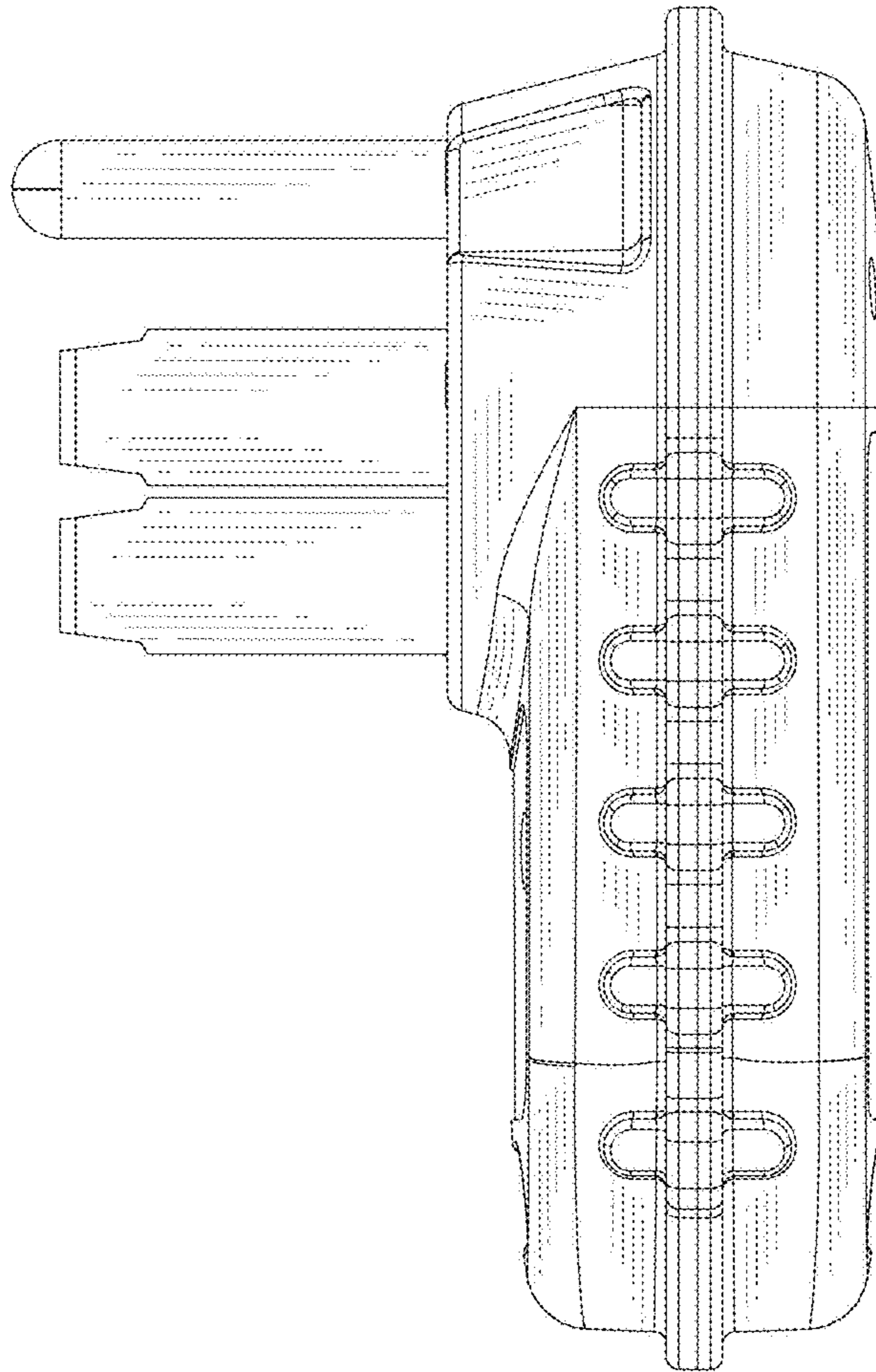


FIG. 12

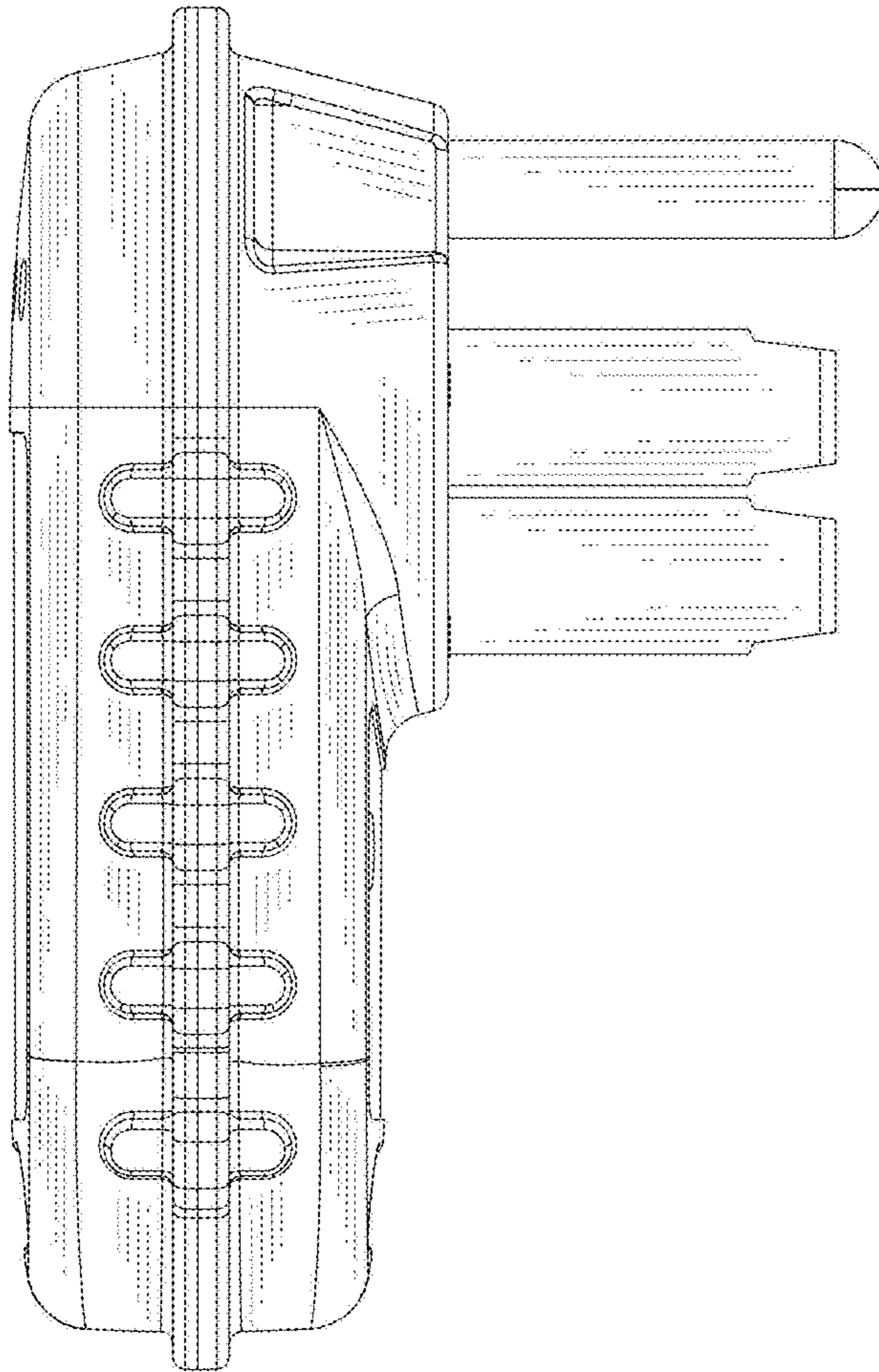


FIG. 13

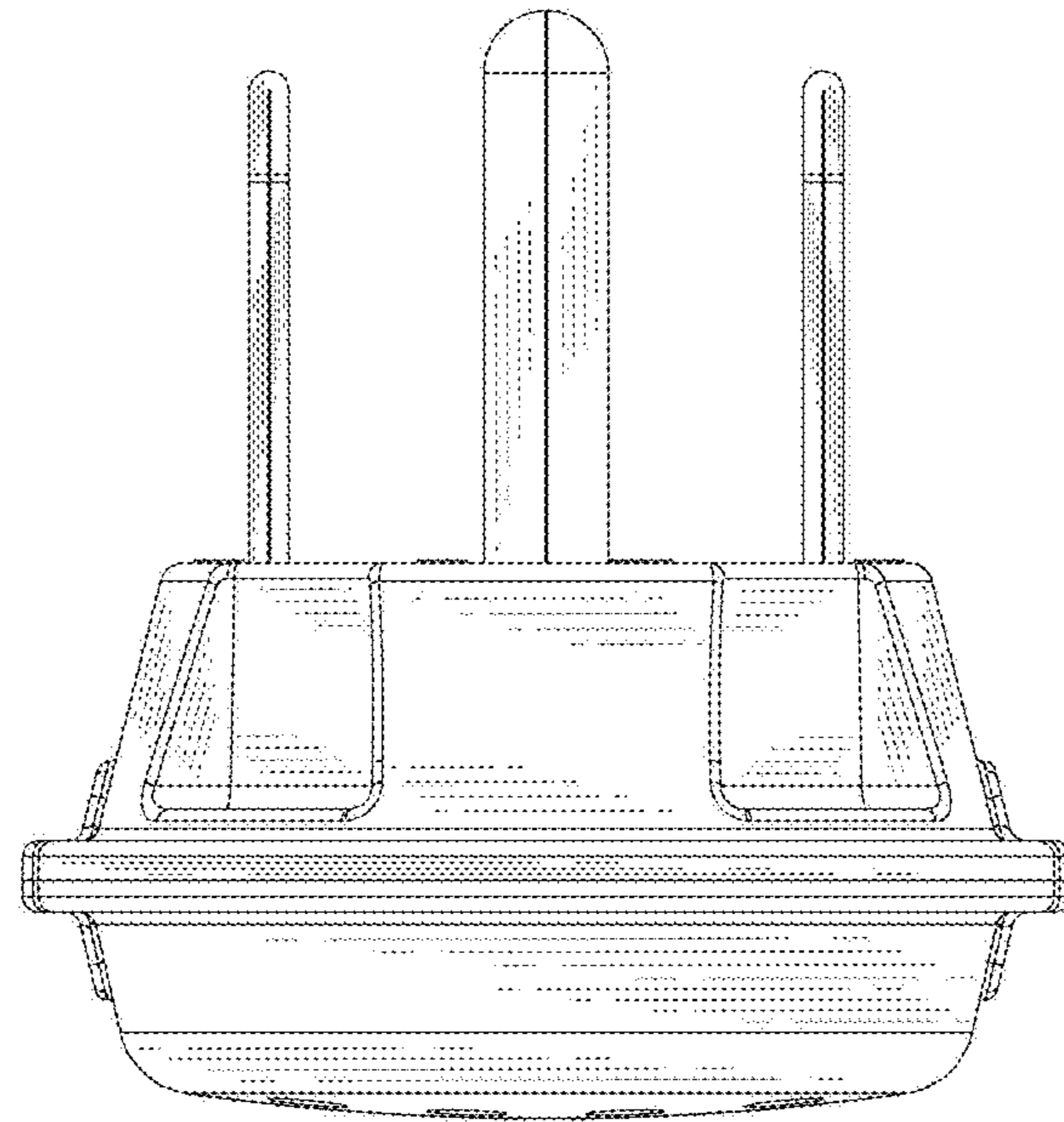


FIG. 14

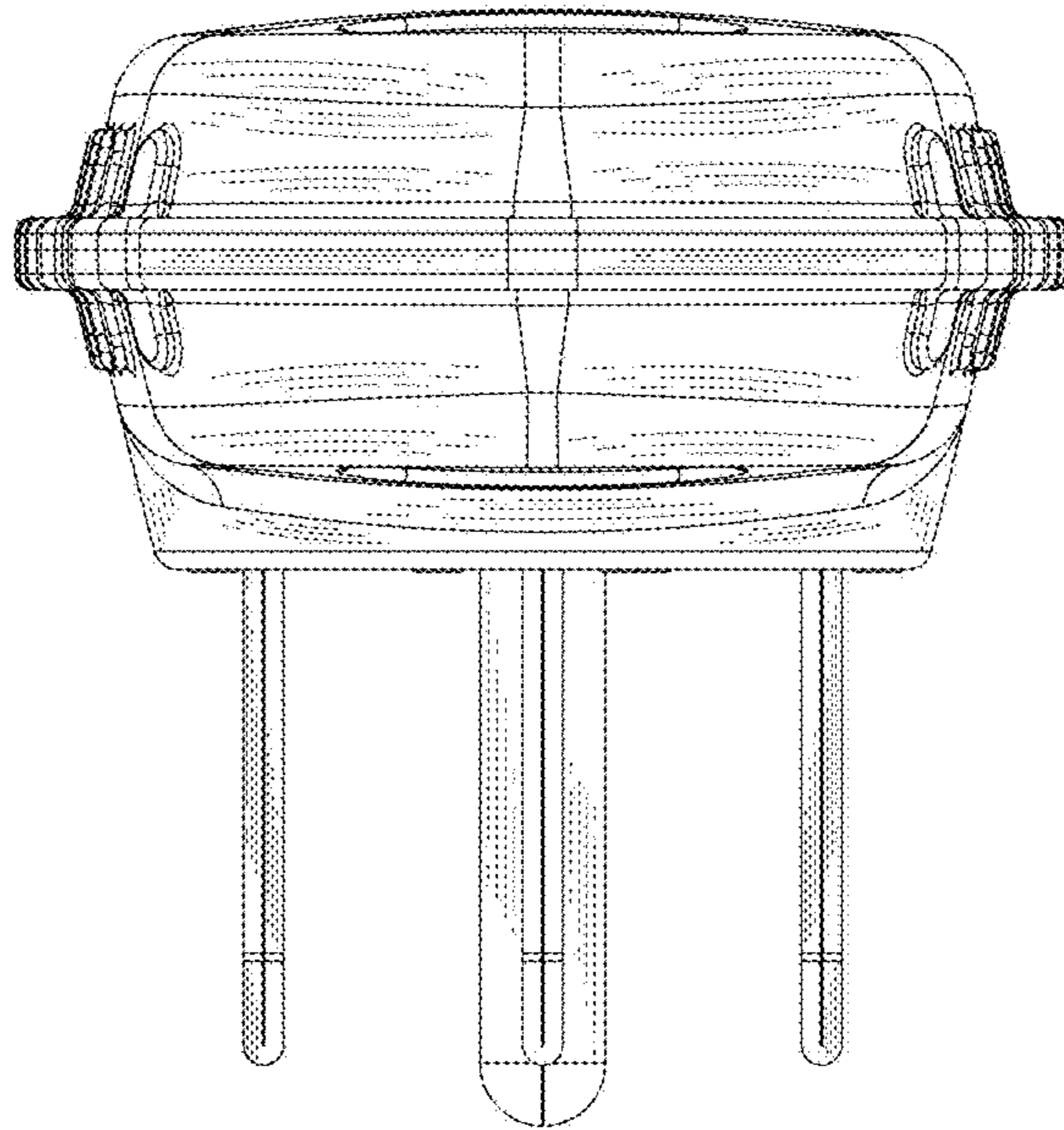


FIG. 15