



US00D943536S

(12) **United States Design Patent**  
**Song et al.**

(10) **Patent No.:** **US D943,536 S**  
(45) **Date of Patent:** **\*\* Feb. 15, 2022**

(54) **TERMINAL MODULE**  
(71) Applicant: **DONGGUAN LUXSHARE TECHNOLOGIES CO., LTD,**  
Dongguan (CN)  
(72) Inventors: **Tao Song,** Dongguan (CN); **Kun Liu,**  
Dongguan (CN); **Rongzhe Guo,**  
Dongguan (CN); **Chuanqi Gong,**  
Dongguan (CN); **Xiaogang Liu,**  
Dongguan (CN); **Ming Li,** Dongguan  
(CN)  
(73) Assignee: **DONGGUAN LUXSHARE TECHNOLOGIES CO., LTD,**  
Dongguan (CN)

8,529,282 B1 \* 9/2013 Westman ..... H01R 13/6273  
439/345  
D727,852 S \* 4/2015 Buck ..... D13/154  
D748,063 S \* 1/2016 Buck ..... D13/154  
D759,602 S \* 6/2016 Murphy ..... D13/147  
9,761,975 B1 \* 9/2017 Wang ..... H01R 12/716  
D835,047 S \* 12/2018 Bingham ..... D13/147  
D839,203 S \* 1/2019 Zhu ..... D13/147  
D847,095 S \* 4/2019 Wan ..... D13/147  
D853,335 S \* 7/2019 Huang ..... D13/154  
2004/0171305 A1 \* 9/2004 McGowan ..... H01R 13/502  
439/607.06  
2009/0011643 A1 \* 1/2009 Amleshi ..... H01R 13/6471  
439/607.05

(Continued)

(\*\*) Term: **15 Years**  
(21) Appl. No.: **29/759,436**  
(22) Filed: **Nov. 23, 2020**  
(30) **Foreign Application Priority Data**

*Primary Examiner* — Derrick E Holland  
(74) *Attorney, Agent, or Firm* — Birch, Stewart, Kolasch  
& Birch, LLP

Jul. 23, 2020 (CN) ..... 202030404144.X

(51) **LOC (13) Cl.** ..... **13-03**  
(52) **U.S. Cl.**  
USPC ..... **D13/154**

(57) **CLAIM**

The ornamental design for a terminal module, as shown and described.

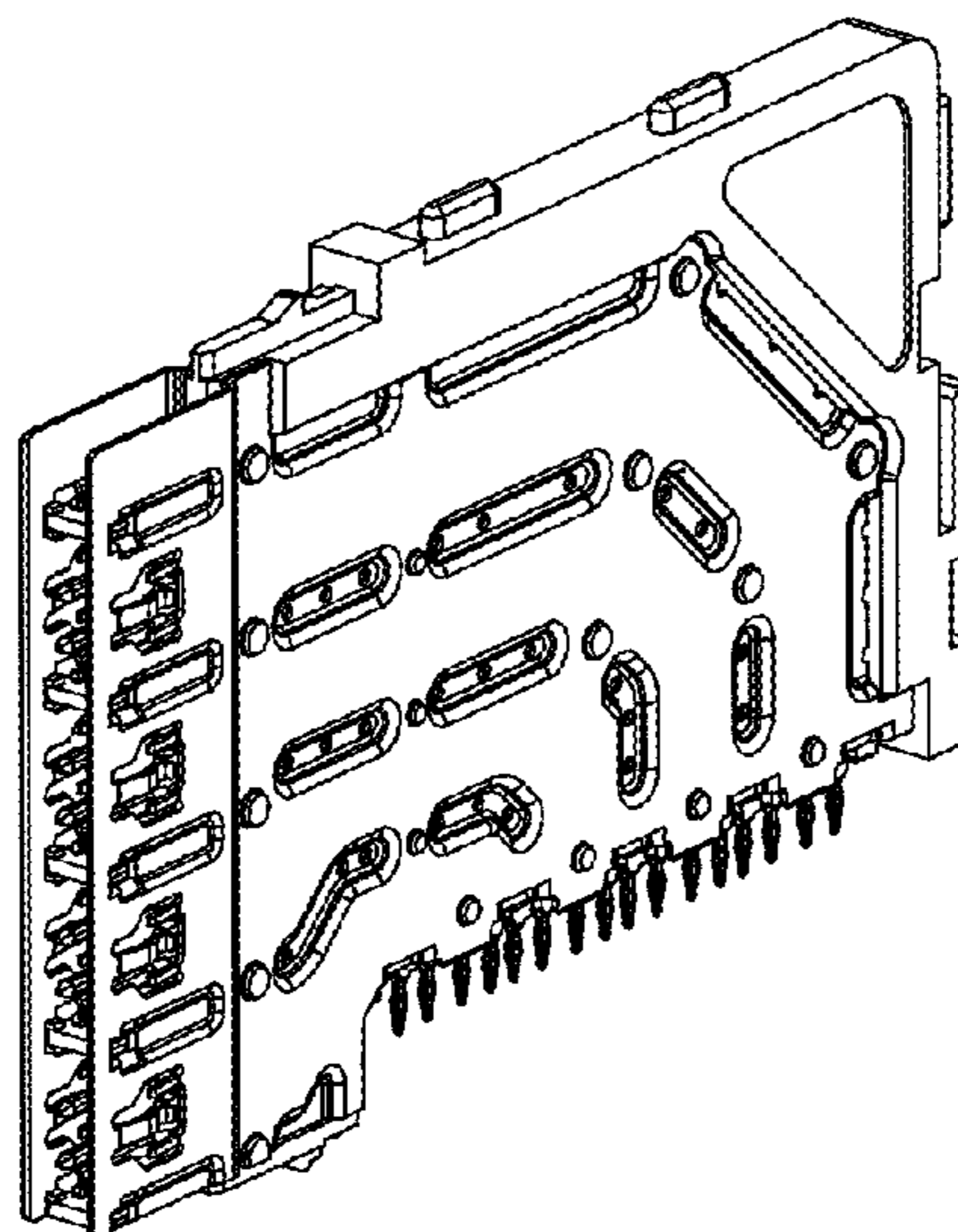
(58) **Field of Classification Search**  
USPC ..... D13/118, 120, 123, 133, 146, 147, 149,  
D13/154, 159, 184, 199; D14/433, 438,  
D14/439  
CPC .... H01R 13/40; H01R 13/502; H01R 13/514;  
H01R 13/518; H01R 13/6471; H01R  
12/52; H01R 12/53; H01R 12/515; H01R  
12/585; H01R 12/716; H01R 12/7005;  
H01R 12/7064; H01R 29/00; H05K 1/18  
See application file for complete search history.

**DESCRIPTION**

FIG. 1 is a front, top and right side perspective view of a terminal module showing our new design;  
FIG. 2 is a front elevational view of the terminal module;  
FIG. 3 is a rear elevational view of the terminal module;  
FIG. 4 is a top plan view of the terminal module;  
FIG. 5 is a bottom plan view of the terminal module;  
FIG. 6 is a left side elevational view of the terminal module;  
and,  
FIG. 7 is a right side elevational view of the terminal module.

(56) **References Cited**  
U.S. PATENT DOCUMENTS  
7,410,393 B1 \* 8/2008 Rothermel ..... H01R 29/00  
439/49  
7,485,001 B2 \* 2/2009 Chen ..... H01R 13/6585  
439/607.05

**1 Claim, 7 Drawing Sheets**



(56)

**References Cited**

U.S. PATENT DOCUMENTS

2010/0093209 A1\* 4/2010 Liu ..... H01R 13/518  
439/541.5

\* cited by examiner

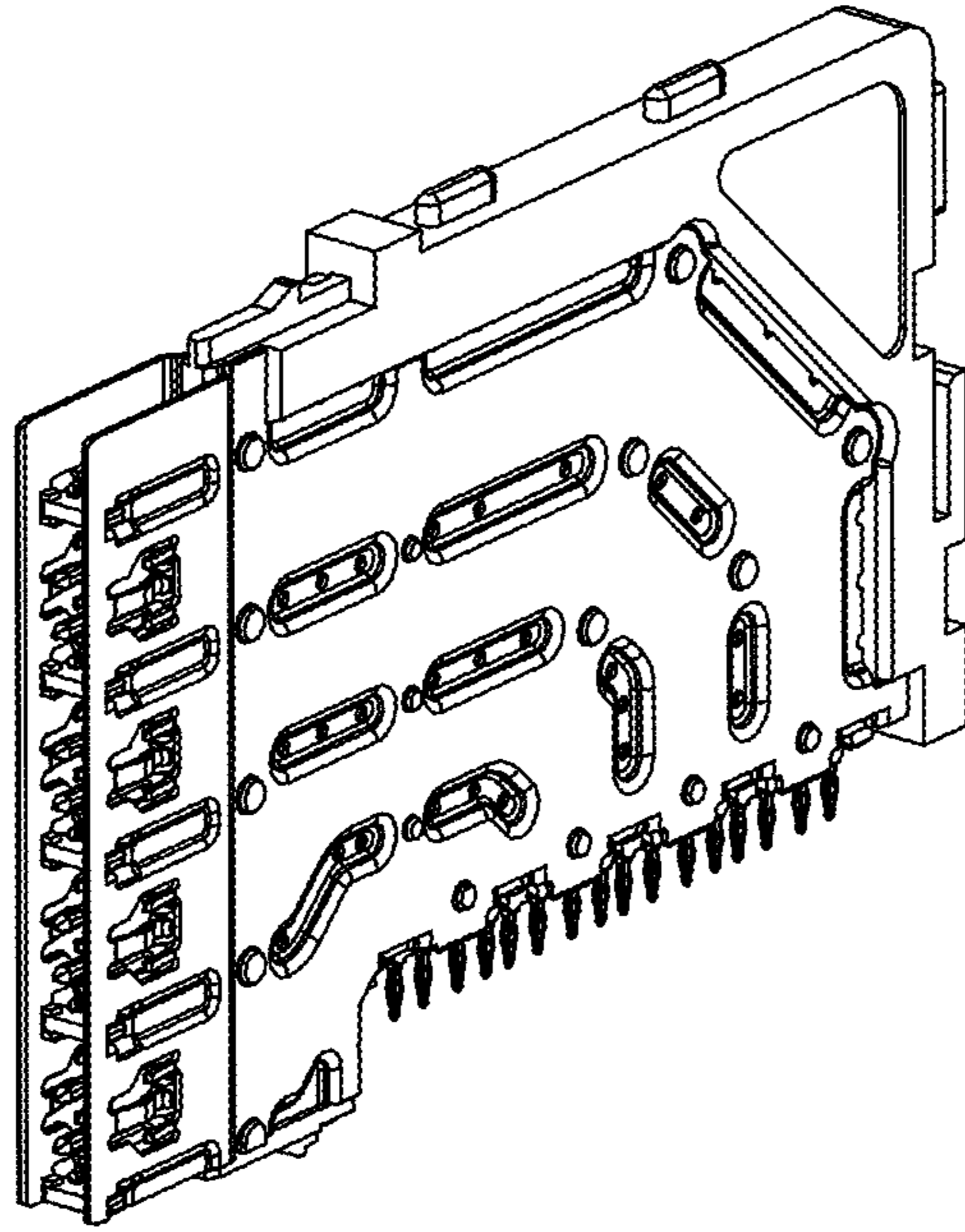


FIG. 1



FIG. 2



FIG. 3

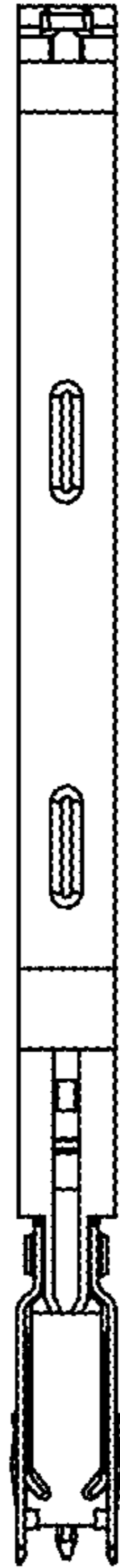


FIG. 4



FIG. 5

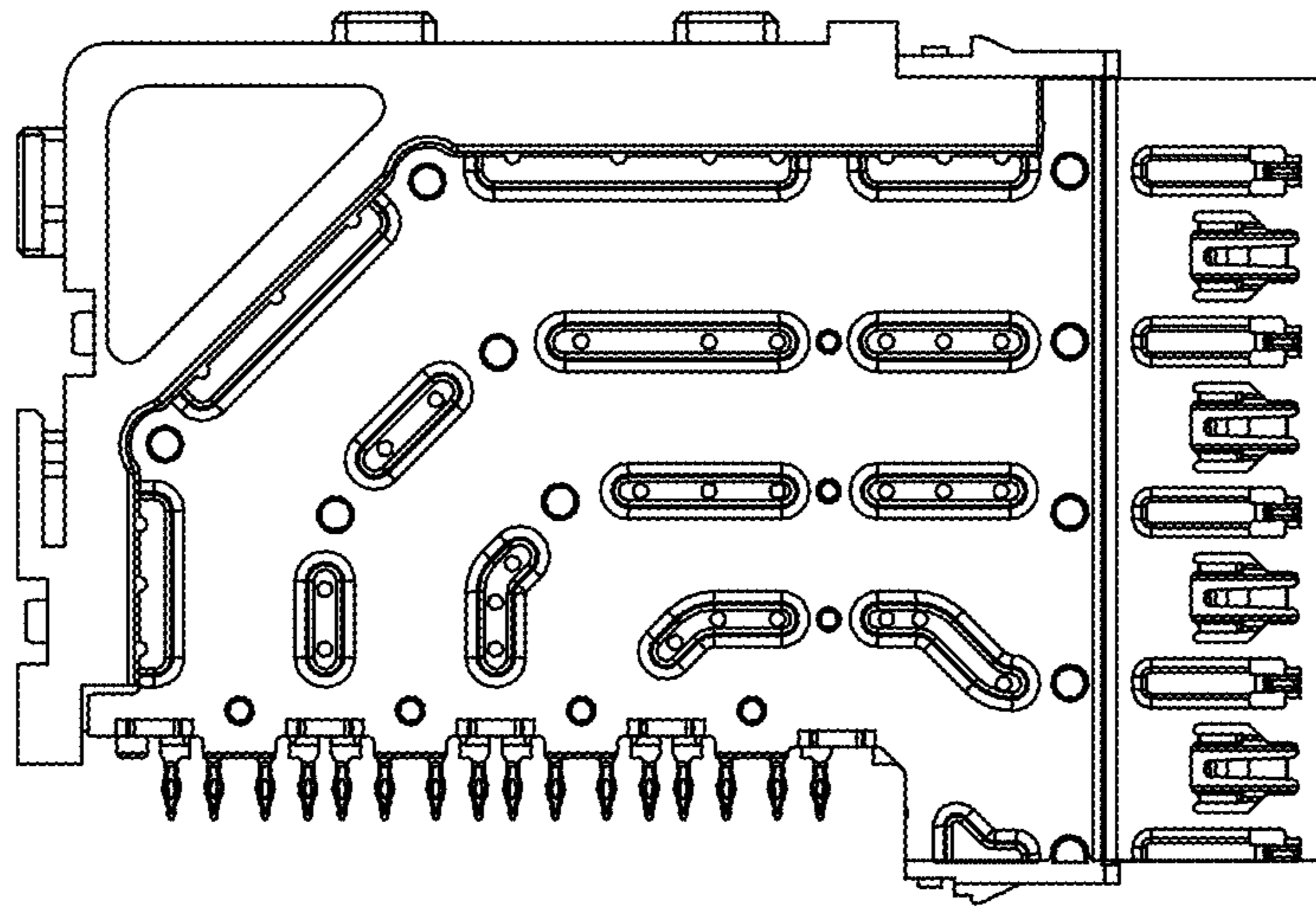


FIG. 6



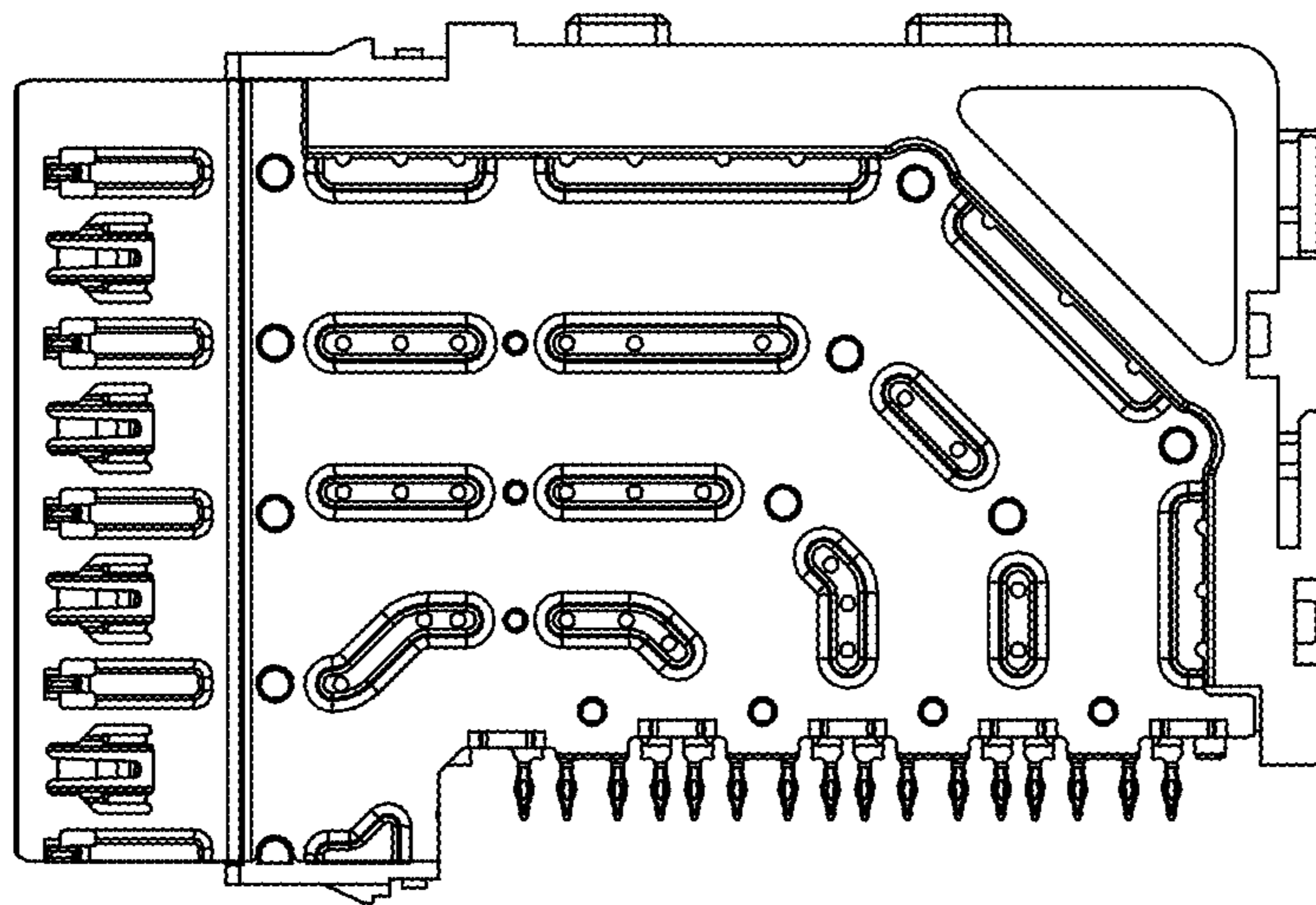


FIG. 7