



US00D943534S

(12) **United States Design Patent**
Shimomaki

(10) **Patent No.:** **US D943,534 S**
(45) **Date of Patent:** **** Feb. 15, 2022**

(54) **CONNECTOR**

(71) Applicant: **Japan Aviation Electronics Industry, Limited**, Tokyo (JP)

(72) Inventor: **Yuta Shimomaki**, Tokyo (JP)

(73) Assignee: **JAPAN AVIATION ELECTRONICS INDUSTRY, LIMITED**, Tokyo (JP)

(**) Term: **15 Years**

(21) Appl. No.: **29/730,529**

(22) Filed: **Apr. 6, 2020**

(30) **Foreign Application Priority Data**

Oct. 15, 2019 (JP) 2019-022963

(51) **LOC (13) Cl.** **13-03**

(52) **U.S. Cl.**
USPC **D13/147**

(58) **Field of Classification Search**

USPC D13/120, 121, 133, 146, 147, 153, 199,
D13/154, 156, 184; D14/432, 433, 434,
D14/435.1, 438

CPC .. H01R 13/506; H01R 13/516; H01R 13/518;
H01R 13/58; H01R 13/627; H01R
13/6315; H01R 13/00; H01R 13/24;
H01R 13/26; H01R 13/28; H01R 13/508;
H01R 13/523; H01R 13/585; H01R
13/6271; H01R 13/6275; H01R 13/635;
H01R 13/639; H01R 13/64; H01R
13/642; H01R 13/6453; H01R 13/6474;
H01R 13/6581; H01R 13/6582; H01R
13/6586; H01R 13/6587; H01R 13/6588;
H01R 13/659; H01R 13/6591; H01R
13/6594; H01R 13/6595; H01R 13/6597;
H01R 13/66; H01R 13/6658; H01R
24/00; H01R 24/60; H01R 24/62; H01R
24/64; H01R 12/51; H01R 12/52; H01R
12/55; H01R 12/57; H01R 12/58; H01R
12/592; H01R 12/61; H01R 12/616;

H01R 12/63; H01R 12/70; H01R
12/7005; H01R 12/7076; H01R 12/71;
H01R 12/714; H01R 12/716; H01R
12/718; H01R 12/72; H01R 12/73; H01R
(Continued)

(56) **References Cited**

U.S. PATENT DOCUMENTS

D513,407 S * 1/2006 Meister D13/133
D559,189 S * 1/2008 Arai D13/147

(Continued)

Primary Examiner — Rosemary K Tarcza

Assistant Examiner — Seth David Kumpf

(74) *Attorney, Agent, or Firm* — Manabu Kanesaka

(57) **CLAIM**

The ornamental design for a connector, as shown and described.

DESCRIPTION

FIG. 1 is a front elevational view of a connector showing my new design;

FIG. 2 is a rear elevational view thereof;

FIG. 3 is a right side elevational view thereof;

FIG. 4 is a left side elevational view thereof;

FIG. 5 is a top plan view thereof;

FIG. 6 is a bottom plan view thereof;

FIG. 7 is a perspective view showing a front, top and right side thereof;

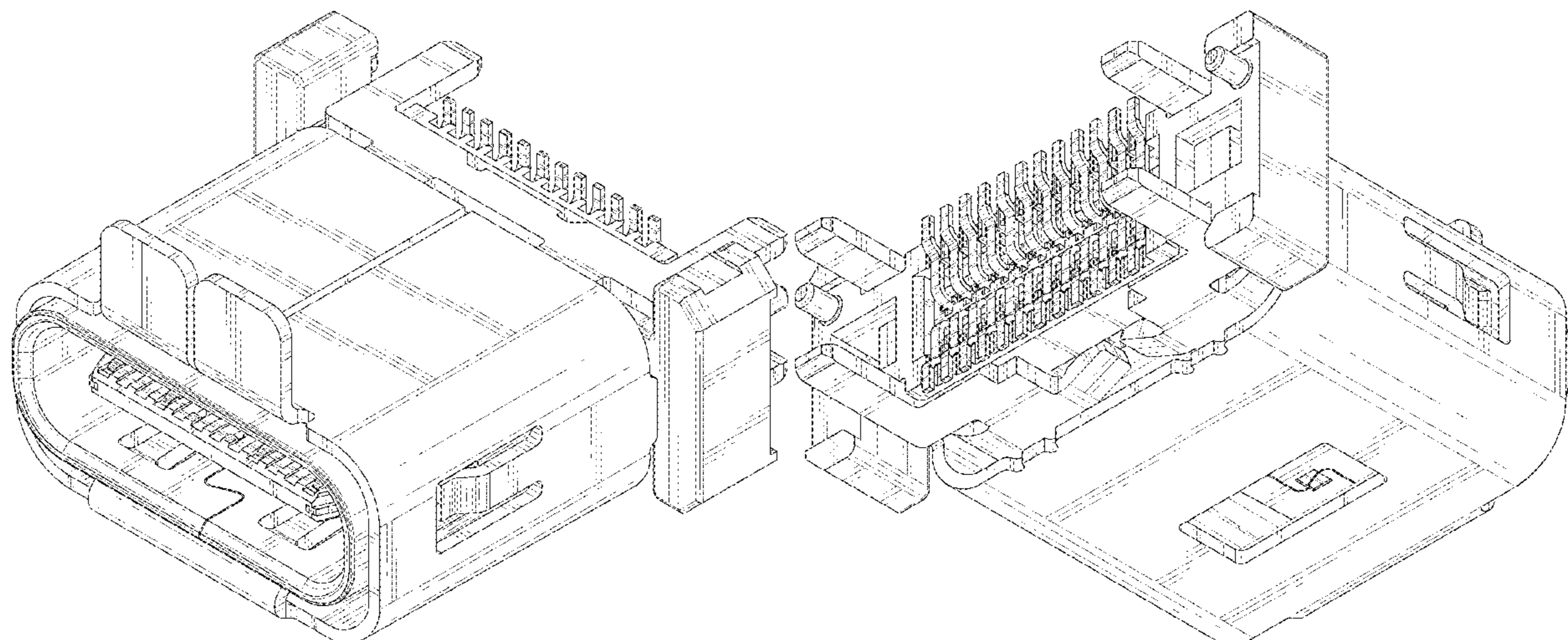
FIG. 8 is a perspective view showing a rear, bottom and left side thereof;

FIG. 9 is a perspective view showing a front, right and bottom side thereof; and,

FIG. 10 is a perspective view showing a rear, left and top side thereof.

The broken line showing of the connector is for the purpose of illustrating portions of the article that form no part of the claimed design.

1 Claim, 10 Drawing Sheets



(58) **Field of Classification Search**

CPC .. 12/737; H01R 12/777; H01R 12/778; H01R
12/79

See application file for complete search history.

(56) **References Cited**

U.S. PATENT DOCUMENTS

7,575,454 B1 * 8/2009 Aoki H01R 13/7032
439/188
D622,223 S * 8/2010 Xiong D13/147
D629,756 S * 12/2010 Zhu D13/147
D640,985 S * 7/2011 Wang D13/154
D737,211 S * 8/2015 Little H01R 13/7032
D13/147
D843,946 S * 3/2019 Naganuma H01R 12/724
D13/147
2009/0298334 A1 * 12/2009 Takahashi H01R 12/7011
439/607.01
2013/0149902 A1 * 6/2013 Tsuchiya H01R 12/724
439/607.34

* cited by examiner

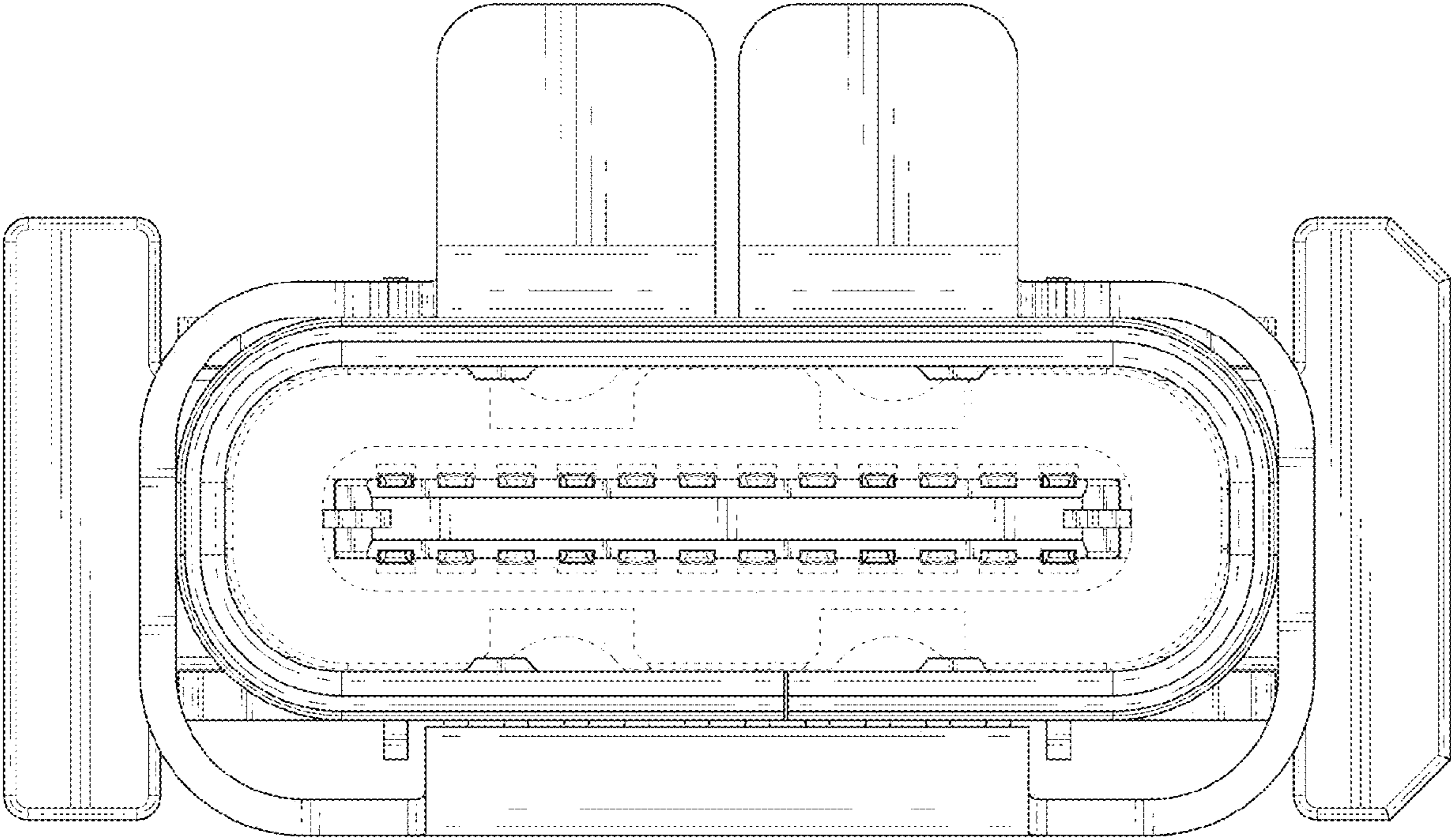


FIG. 1

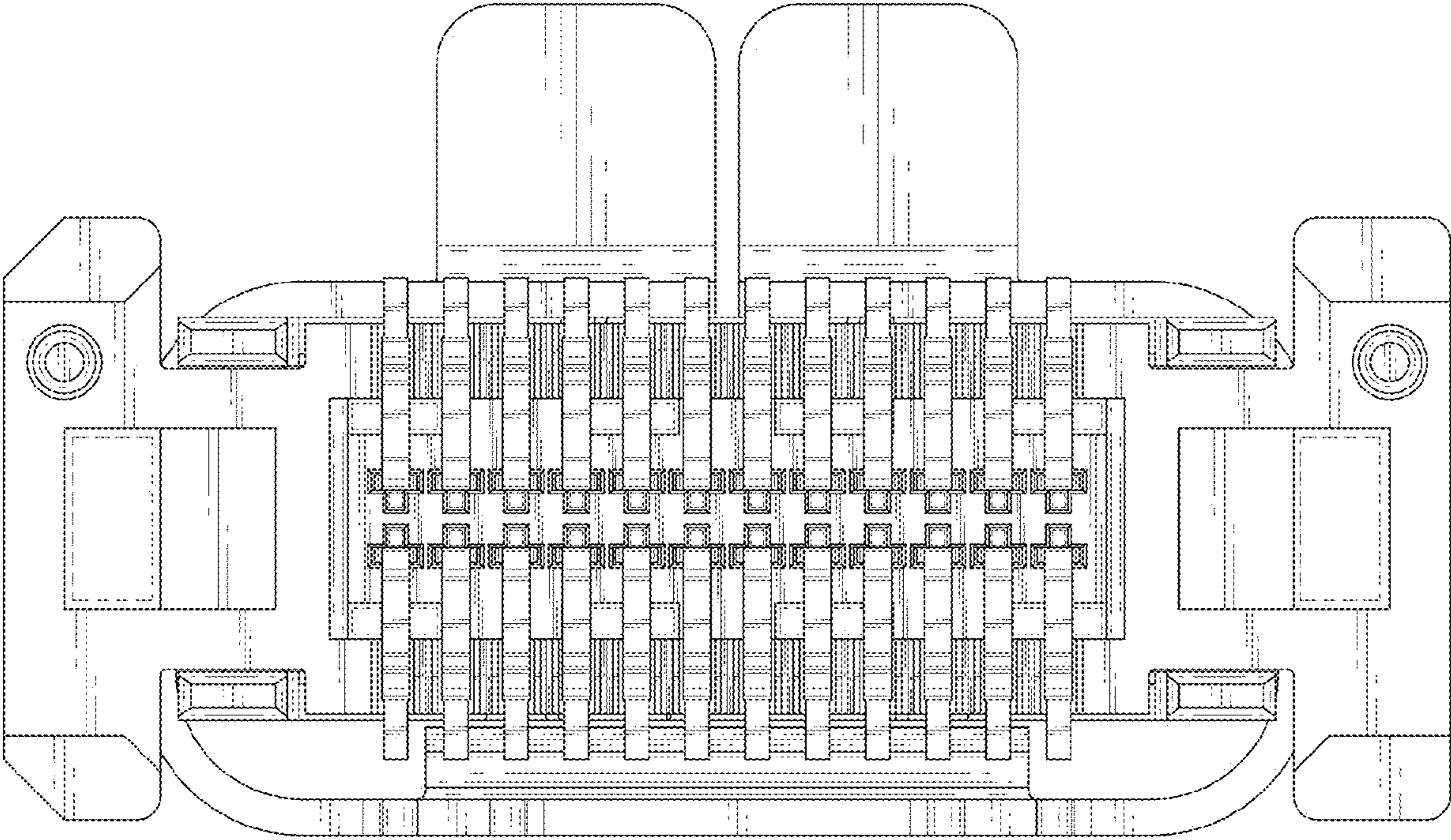


FIG. 2

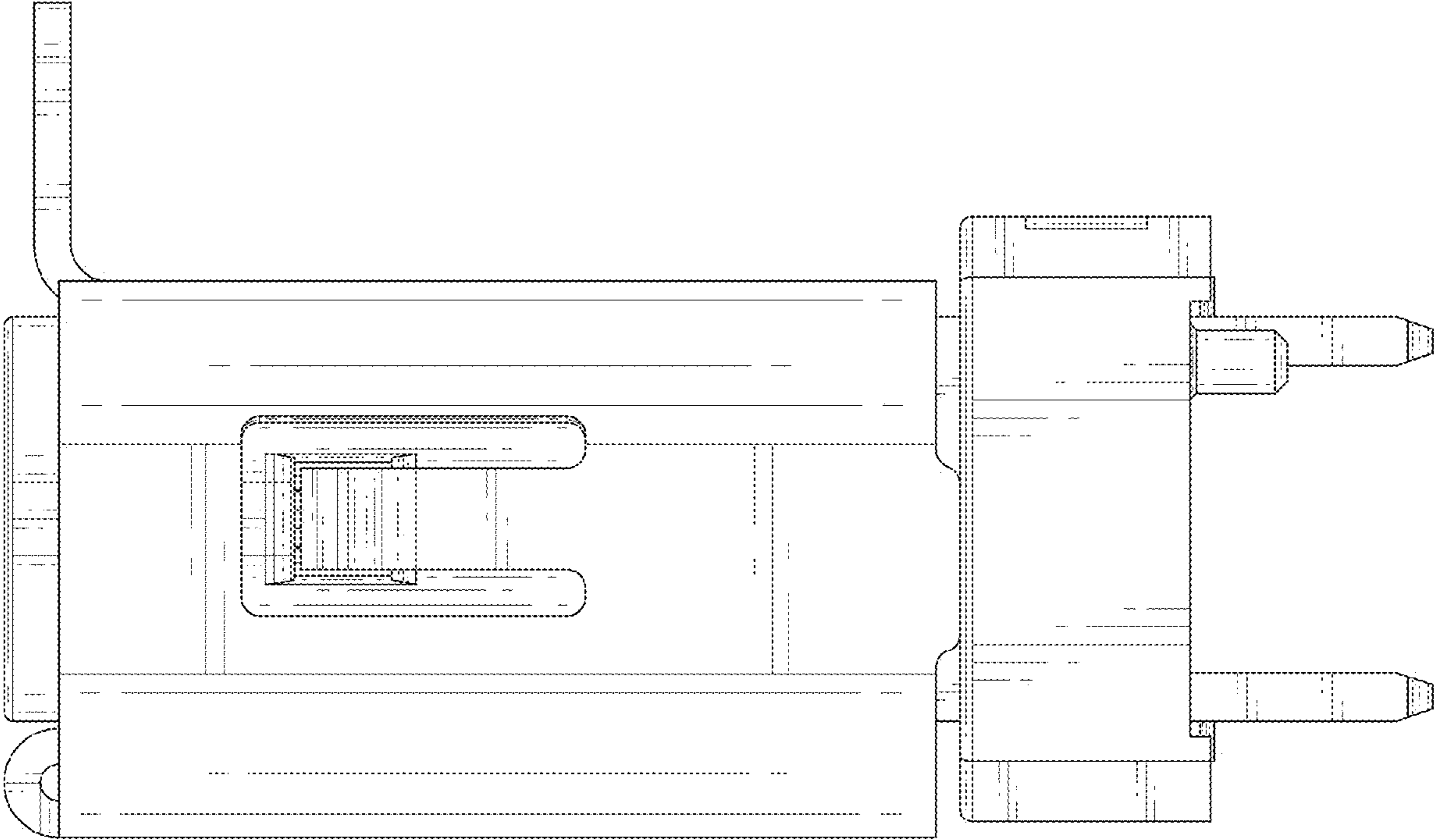


FIG. 3

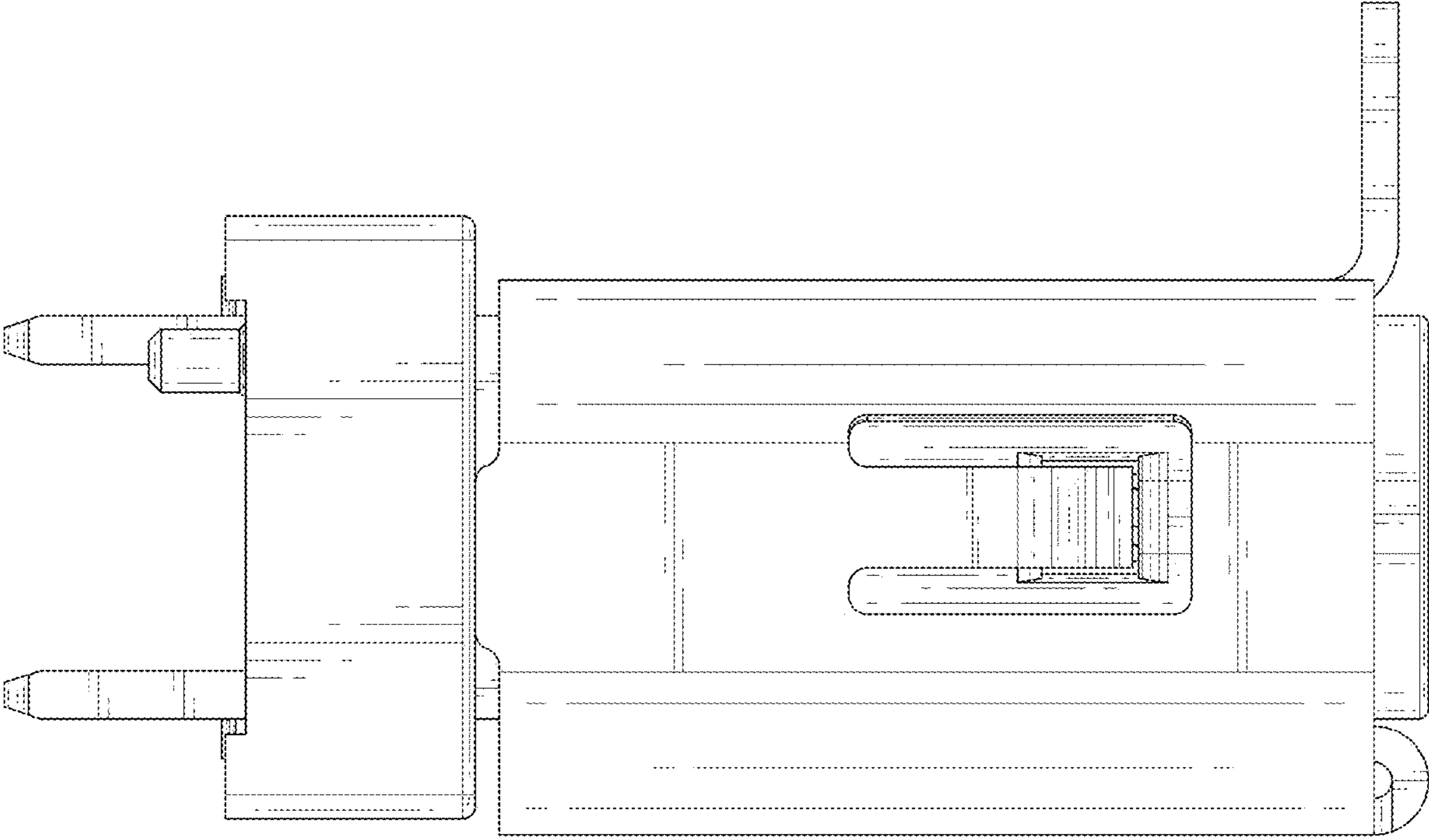


FIG. 4

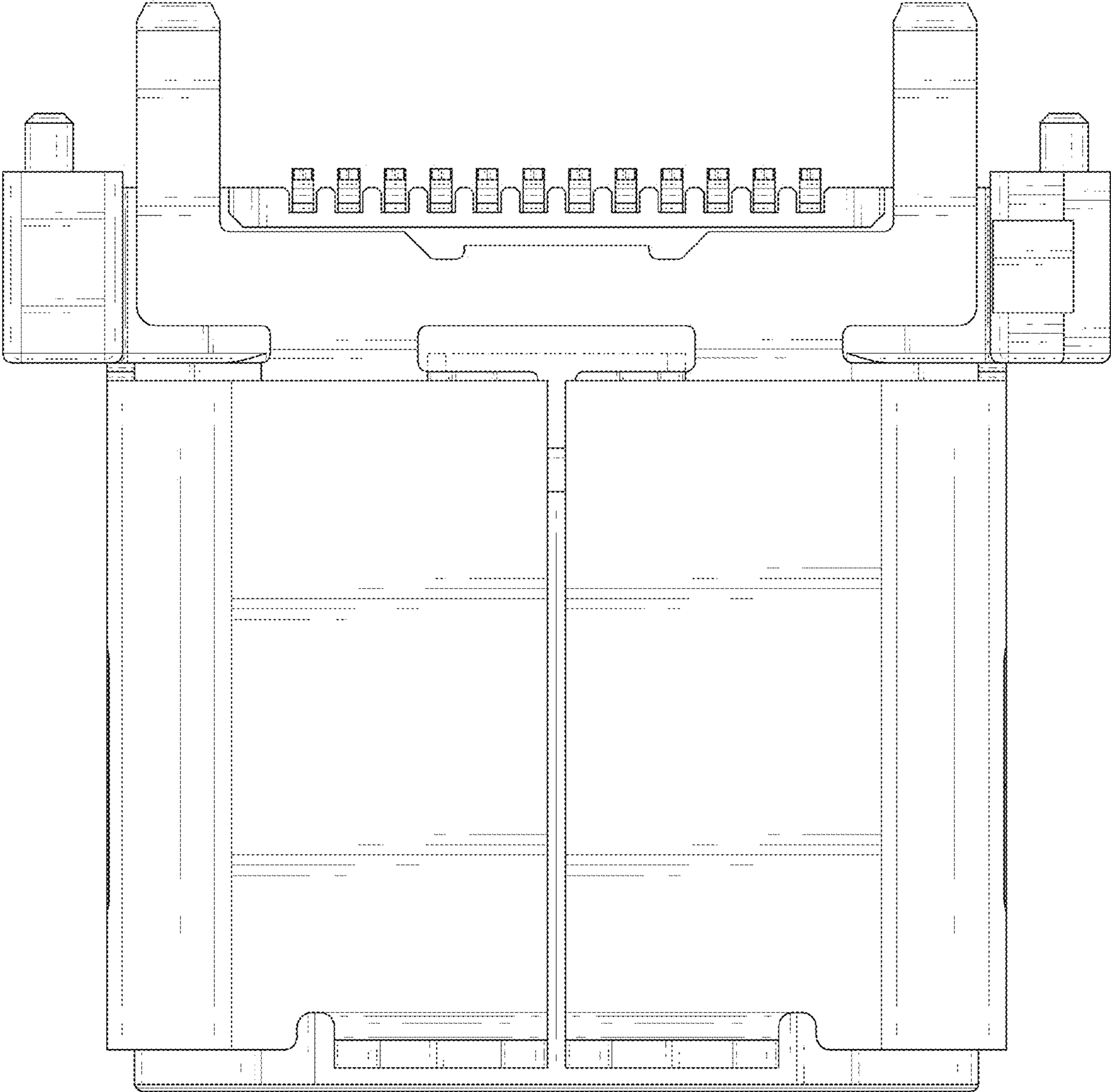


FIG. 5

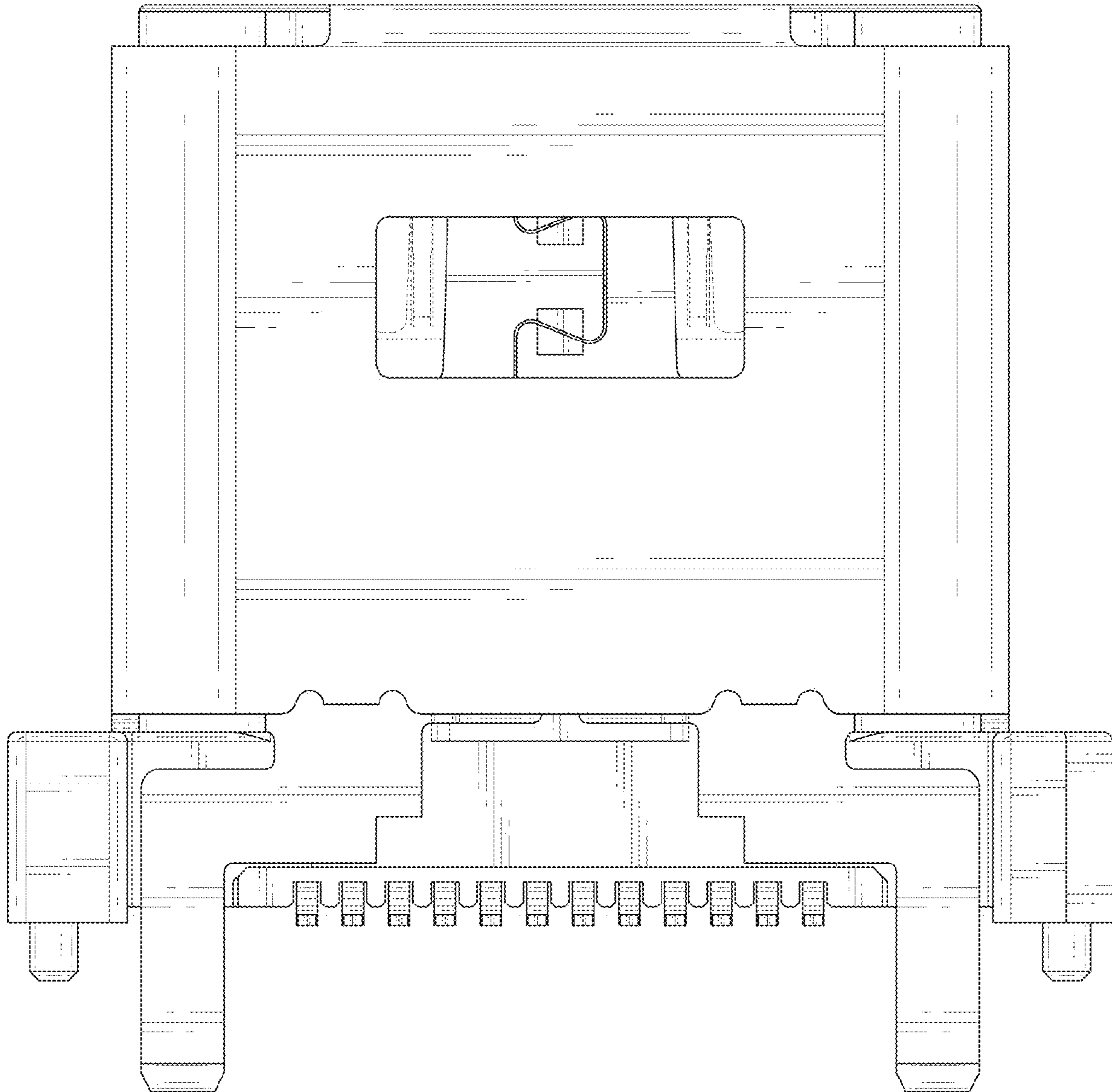


FIG. 6

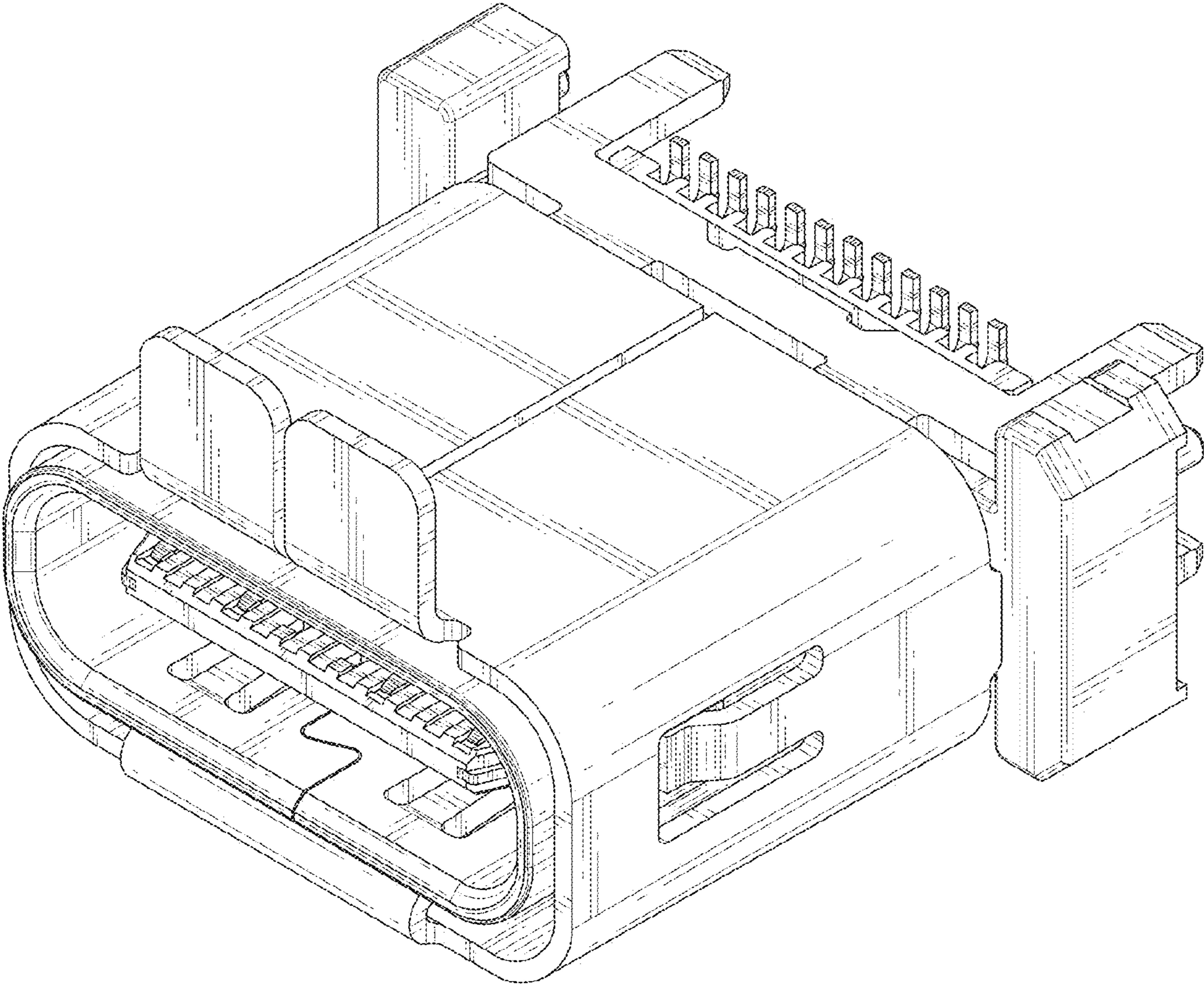


FIG. 7

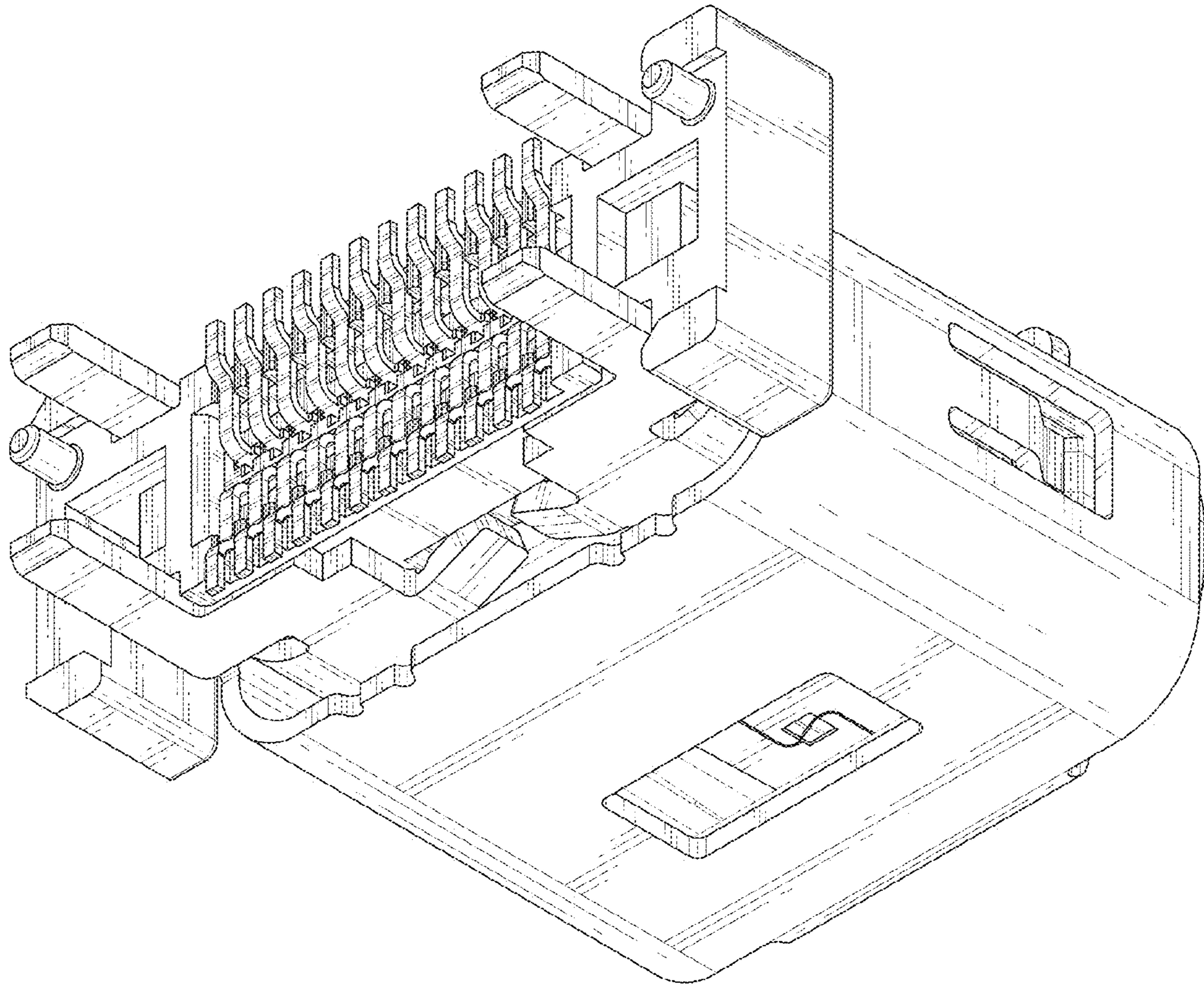


FIG. 8

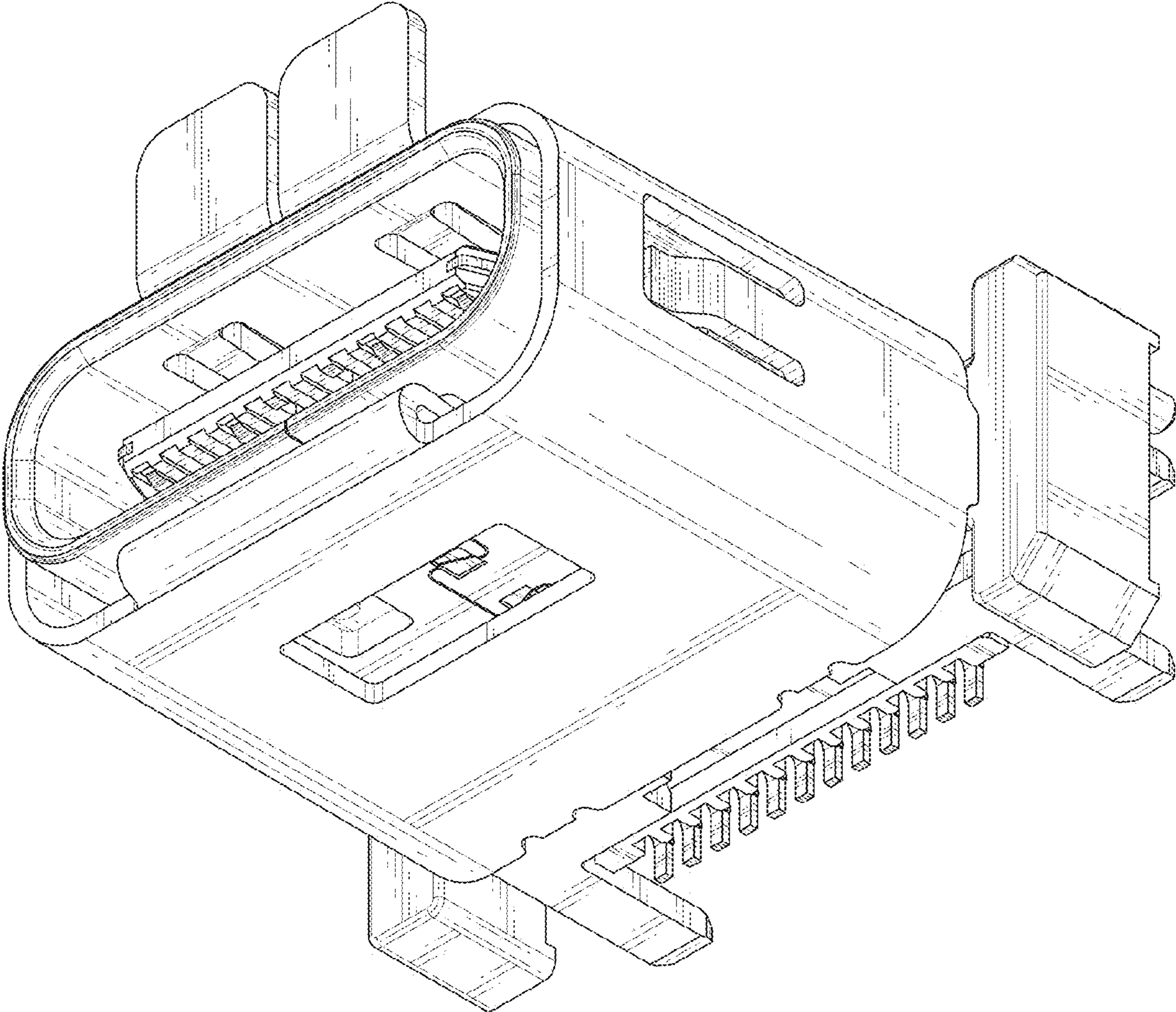


FIG. 9

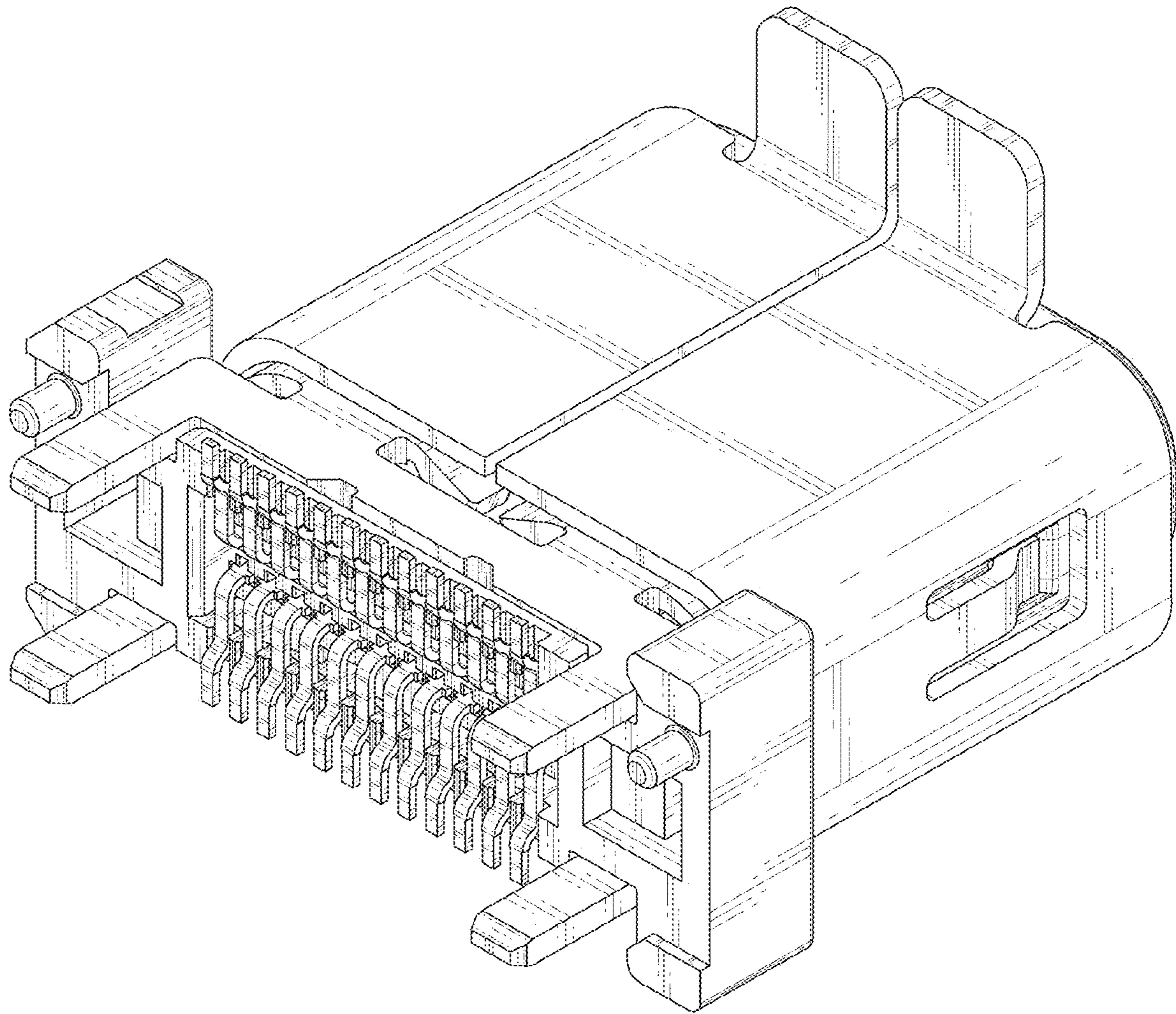


FIG. 10