



US00D943533S

(12) **United States Design Patent**  
**Byrne et al.**

(10) **Patent No.:** **US D943,533 S**  
(45) **Date of Patent:** **\*\* Feb. 15, 2022**

(54) **ELECTRICAL CONNECTOR**

(71) Applicants: **Norman R. Byrne**, Ada, MI (US);  
**Joseph D. Ward**, Grand Rapids, MI (US); **Randell E. Pate**, Jenison, MI (US); **Roger D. Burdi**, Grand Rapids, MI (US)

(72) Inventors: **Norman R. Byrne**, Ada, MI (US);  
**Joseph D. Ward**, Grand Rapids, MI (US); **Randell E. Pate**, Jenison, MI (US); **Roger D. Burdi**, Grand Rapids, MI (US)

(\*\*) Term: **15 Years**

(21) Appl. No.: **29/766,460**

(22) Filed: **Jan. 15, 2021**

**Related U.S. Application Data**

(62) Division of application No. 29/650,796, filed on Jun. 8, 2018, now Pat. No. Des. 908,089.

(51) **LOC (13) Cl.** ..... **13-03**

(52) **U.S. Cl.**  
USPC ..... **D13/133**

(58) **Field of Classification Search**  
USPC ..... D13/103, 107, 110, 112, 118, 120, 121,  
D13/123, 133, 137.1, 145-147, 149-156,  
(Continued)

(56) **References Cited**

**U.S. PATENT DOCUMENTS**

6,154,597 A 11/2000 Roth  
D842,803 S 3/2019 Nishizawa  
(Continued)

**OTHER PUBLICATIONS**

Amphenol. A Series Family. No date specified. <https://www.amphenol-sine.com/a-series-connectors> (Year: 0).\*

(Continued)

*Primary Examiner* — Darcey E Gottschalk

(74) *Attorney, Agent, or Firm* — Gardner, Linn, Burkhardt & Ondersma LLP

(57) **CLAIM**

The ornamental design for an electrical connector, as shown and described.

**DESCRIPTION**

FIG. 1 is a front perspective view of an electrical connector showing our new design, viewed from above and to the right;

FIG. 2 is another front perspective view thereof, viewed from below and to the left;

FIG. 3 is a rear perspective view thereof, viewed from above and to the left;

FIG. 4 is another rear perspective view thereof, viewed from below and to the right;

FIG. 5 is a top plan view thereof;

FIG. 6 is a bottom plan view thereof;

FIG. 7 is a right side elevation thereof;

FIG. 8 is a left side elevation thereof;

FIG. 9 is a front end elevation thereof;

FIG. 10 is a rear end elevation thereof;

FIG. 11 is a front perspective view of another electrical connector showing our new design, viewed from above and to the right;

FIG. 12 is another front perspective view thereof, viewed from below and to the left;

FIG. 13 is a rear perspective view thereof, viewed from above and to the left;

FIG. 14 is another rear perspective view thereof, viewed from below and to the right;

FIG. 15 is a top plan view thereof;

FIG. 16 is a bottom plan view thereof;

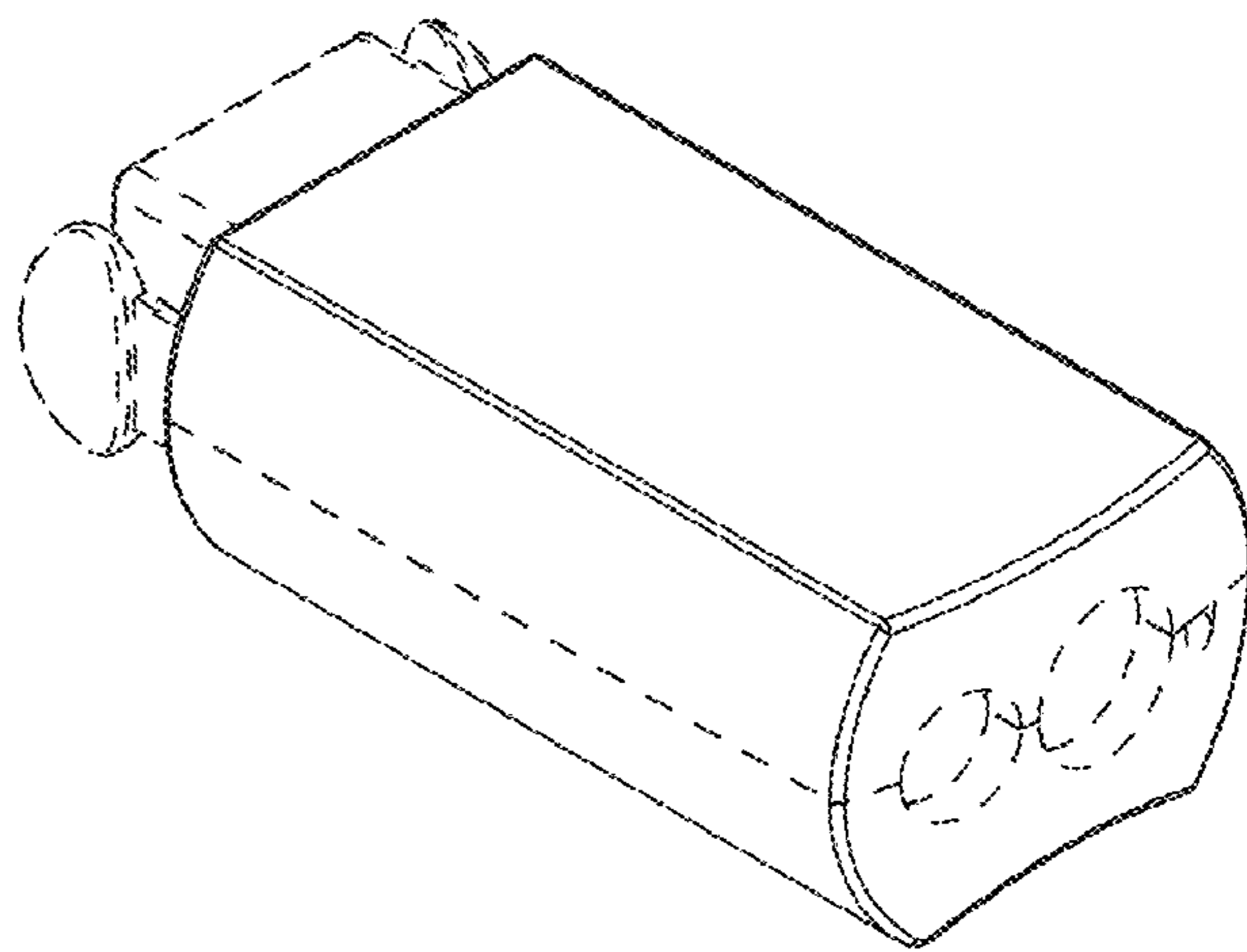
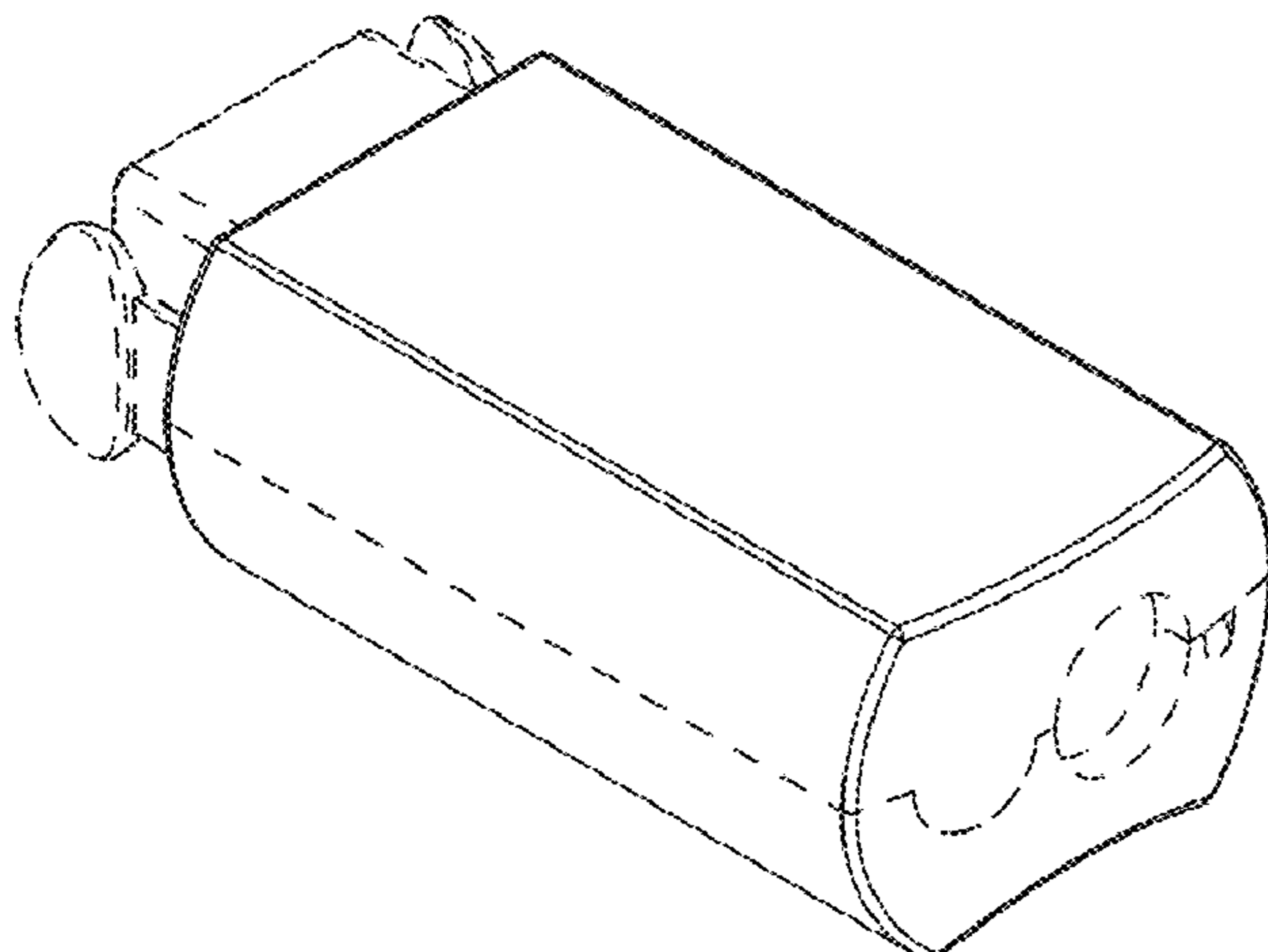
FIG. 17 is a right side elevation thereof;

FIG. 18 is a left side elevation thereof;

FIG. 19 is a front end elevation thereof; and,

FIG. 20 is a rear end elevation thereof.

(Continued)



In the drawings, the broken lines depict unclaimed portions of the electrical connector that form no part of the claimed design.

**1 Claim, 4 Drawing Sheets**

**(58) Field of Classification Search**

USPC ..... D13/158, 173, 177, 184, 199, 242;  
 D14/240, 242, 432-435, 435.1, 436-438  
 CPC ..... H01R 12/00; H01R 12/50; H01R 12/58;  
 H01R 12/70; H01R 12/71; H01R 13/00;  
 H01R 13/62; H01R 13/646; H01R  
 13/648; H01R 13/658; H01R 13/6585;  
 H01R 24/00; H01R 24/60

See application file for complete search history.

**(56) References Cited**

U.S. PATENT DOCUMENTS

D843,940 S \* 3/2019 Sasaki ..... D13/133  
 D854,501 S 7/2019 Asano  
 D858,442 S 9/2019 Byrne et al.

D867,989 S 11/2019 Akana et al.  
 D890,098 S \* 7/2020 Byrne et al.  
 D894,128 S \* 8/2020 Somanathapura Ramanna  
 et al. .... D13/133  
 D900,038 S \* 10/2020 Kurita ..... D13/147  
 10,873,167 B2 12/2020 Byrne et al.  
 D908,089 S \* 1/2021 Byrne ..... D13/133  
 D920,251 S \* 5/2021 Elison ..... D13/133  
 D921,635 S \* 6/2021 Wu ..... D14/433  
 D922,968 S \* 6/2021 Christiansen ..... D13/173  
 D928,711 S \* 8/2021 Kunzendorf ..... D13/133  
 D930,590 S \* 9/2021 Gregori ..... D13/133  
 2018/0269623 A1 9/2018 Okamura et al.  
 2019/0020146 A1 1/2019 Oishi et al.  
 2021/0143584 A1 \* 5/2021 Miyakawa ..... H01R 13/5219  
 2021/0182229 A1 \* 6/2021 Bian ..... G06F 13/42  
 2021/0184403 A1 \* 6/2021 Little ..... H01R 13/6581

OTHER PUBLICATIONS

Co-Pending and commonly-owned design U.S. Appl. No. 29/644,000,  
 filed Apr. 13, 2018.  
 Co-Pending and commonly-owned design U.S. Appl. No. 29/643,998,  
 filed Apr. 13, 2018.

\* cited by examiner

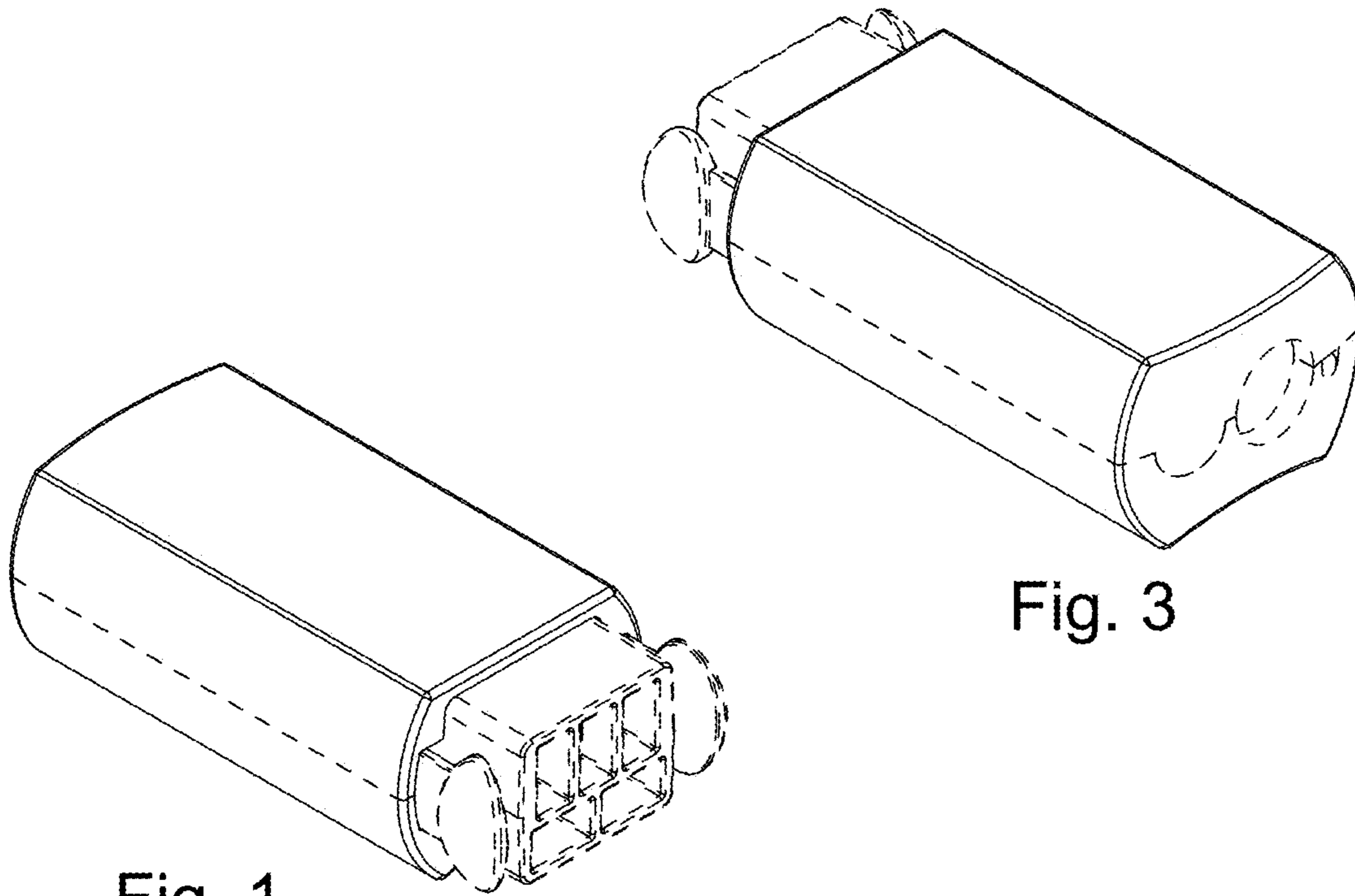


Fig. 1

Fig. 3

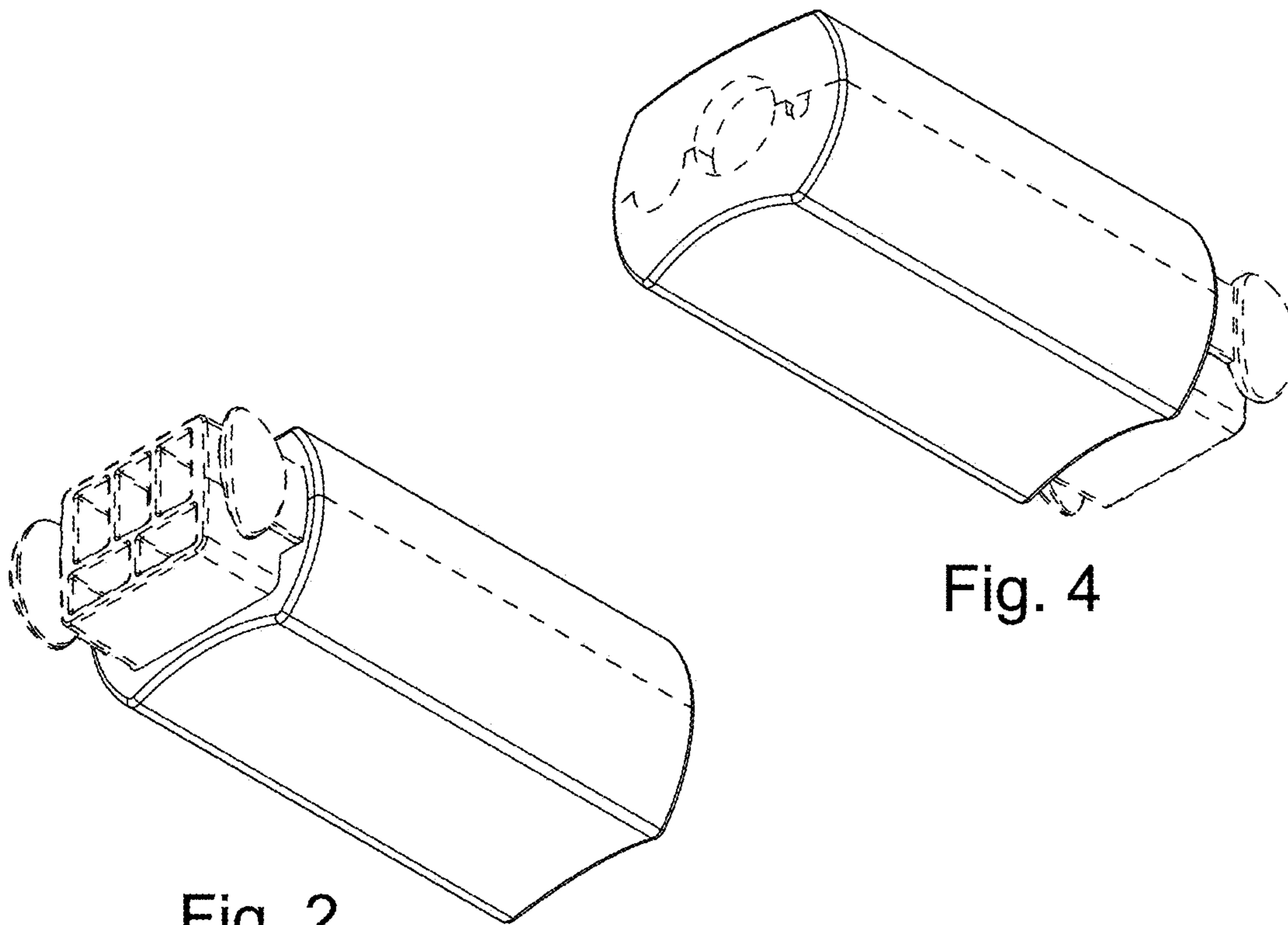


Fig. 2

Fig. 4

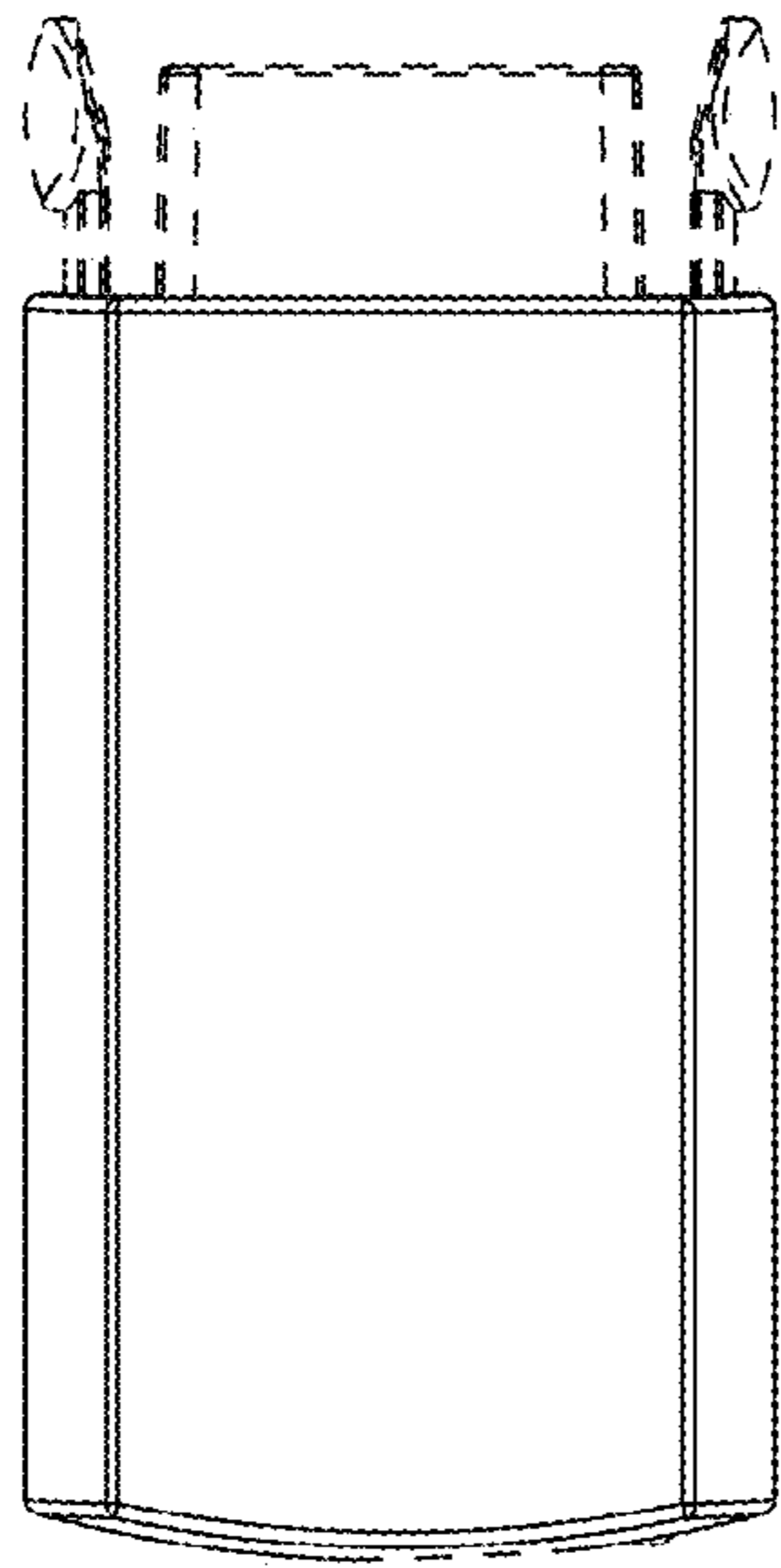


Fig. 5

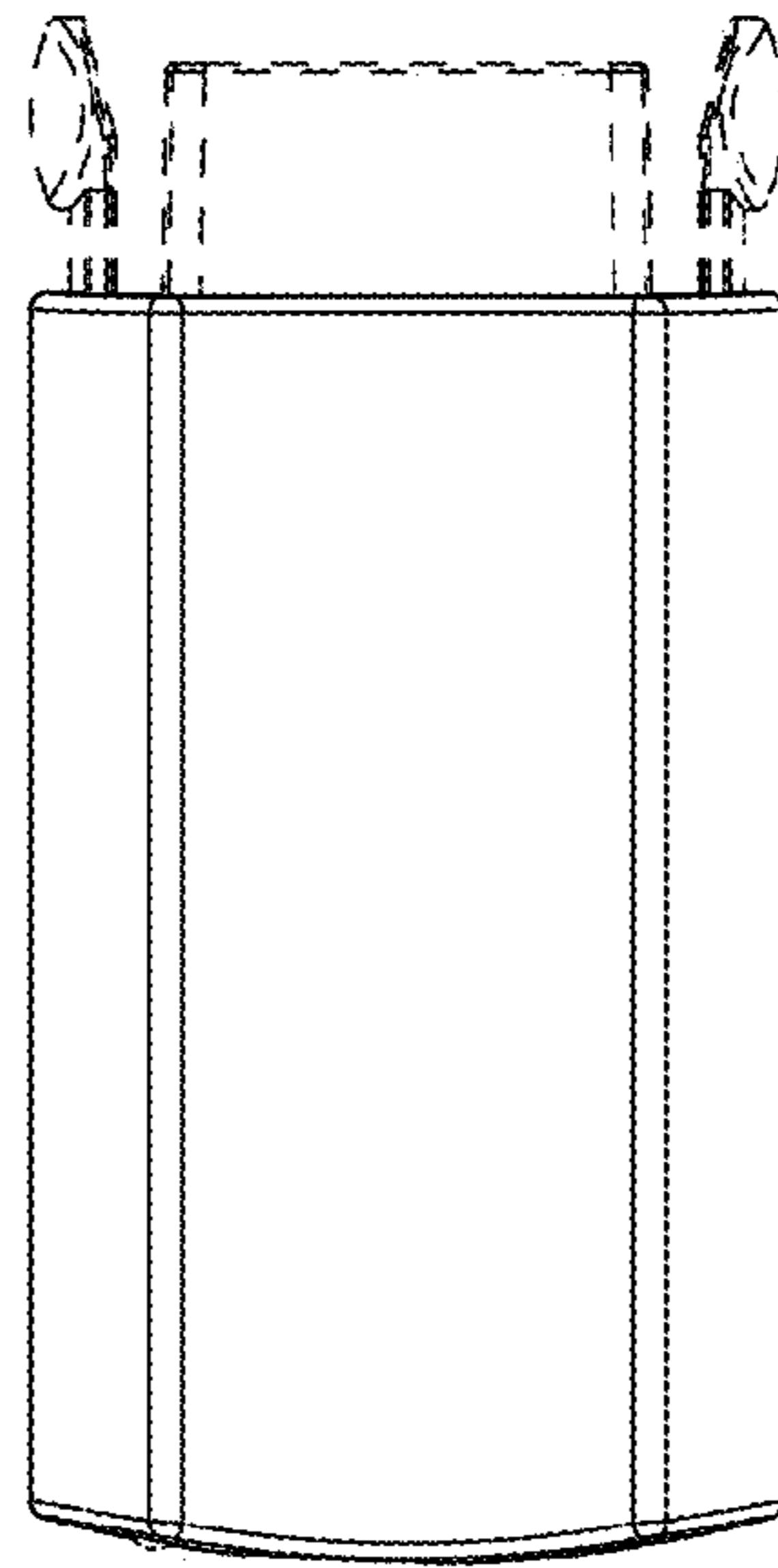


Fig. 6

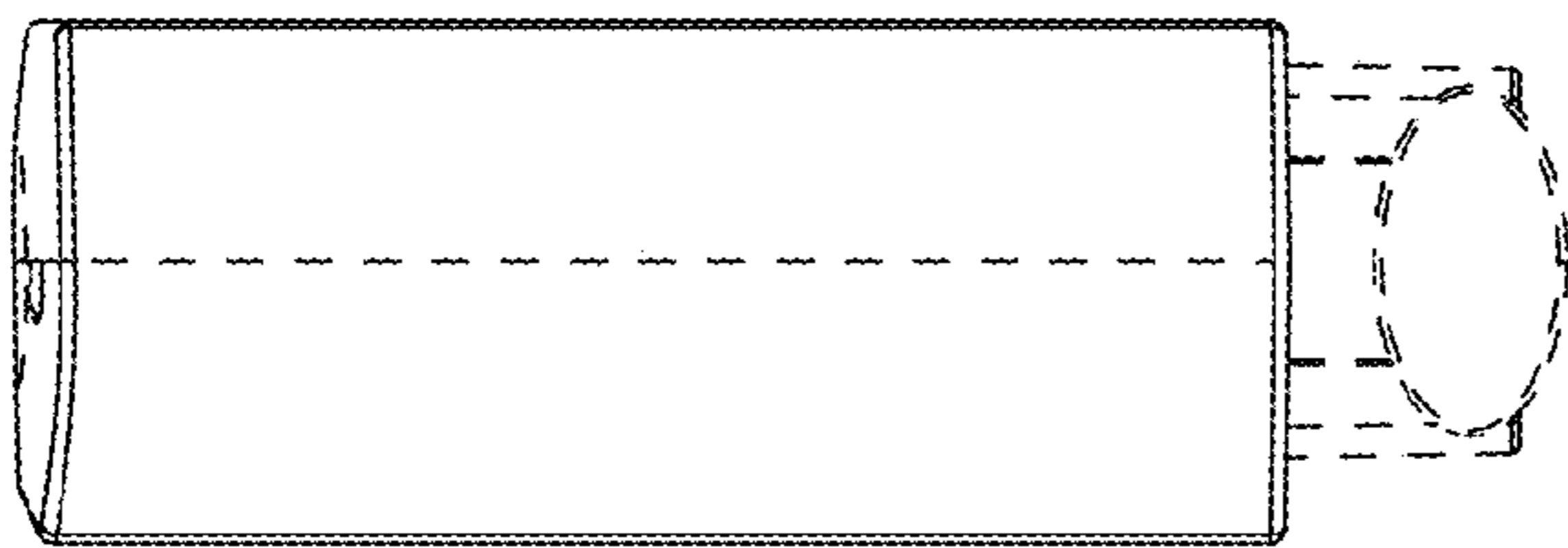


Fig. 7

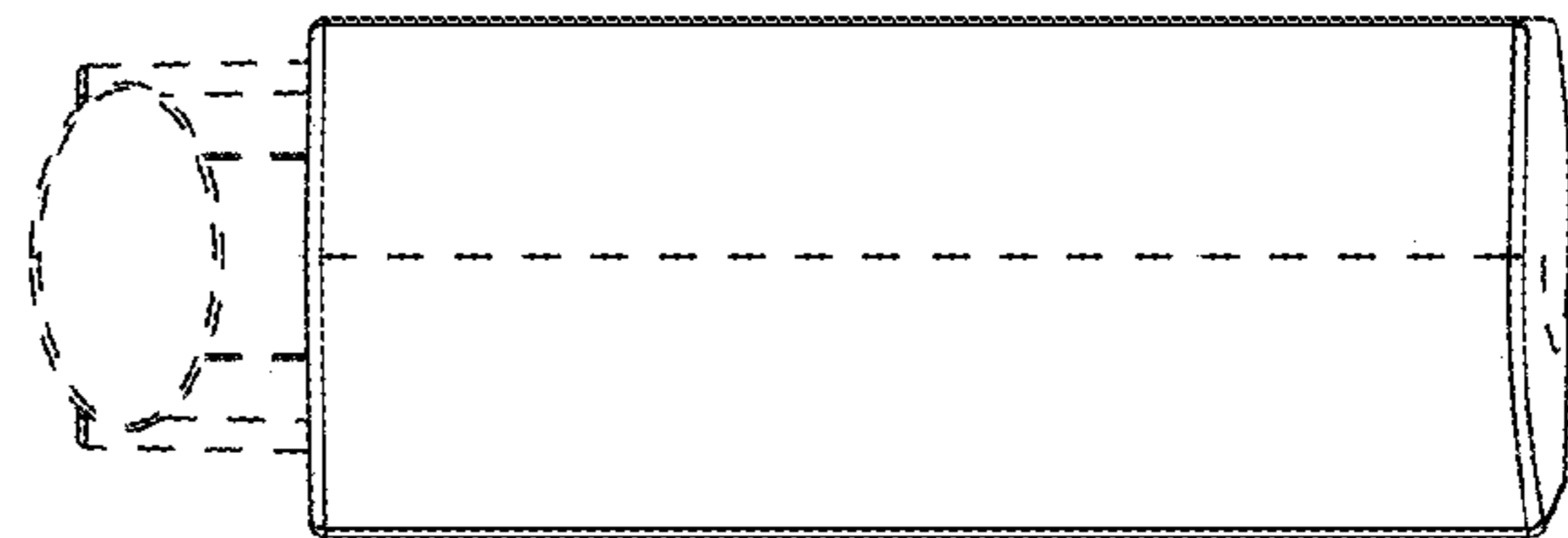


Fig. 8

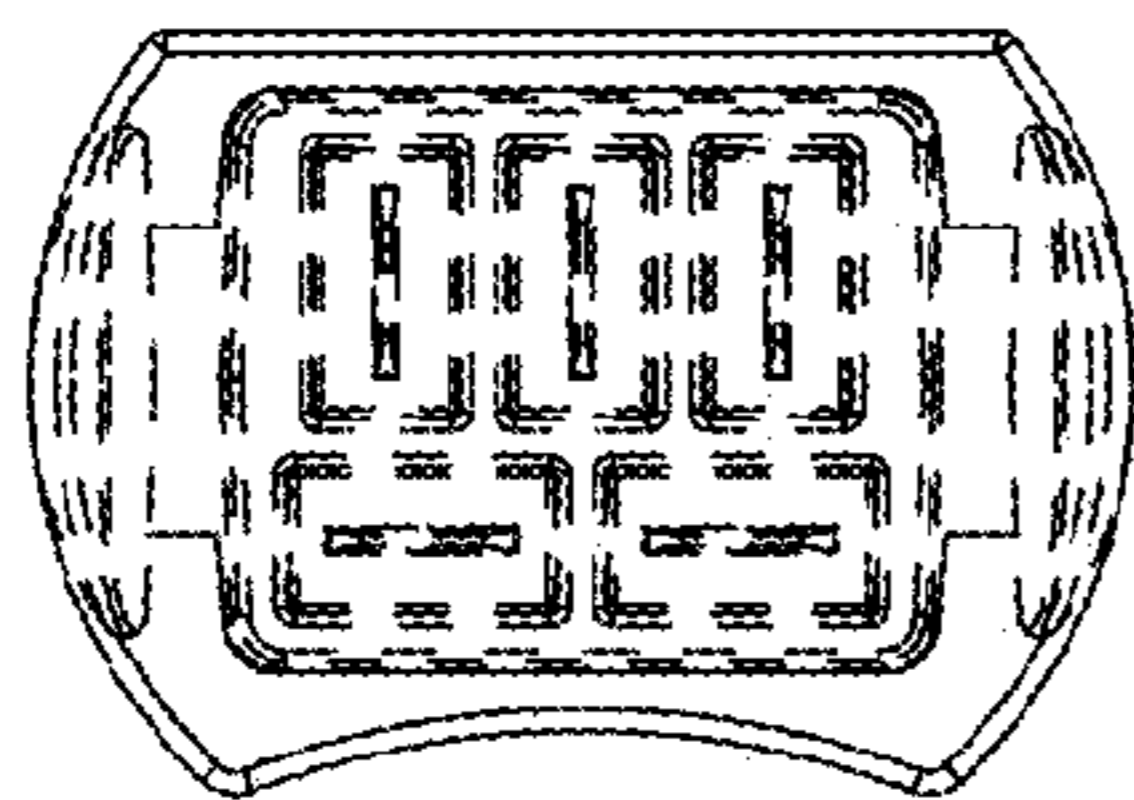


Fig. 9

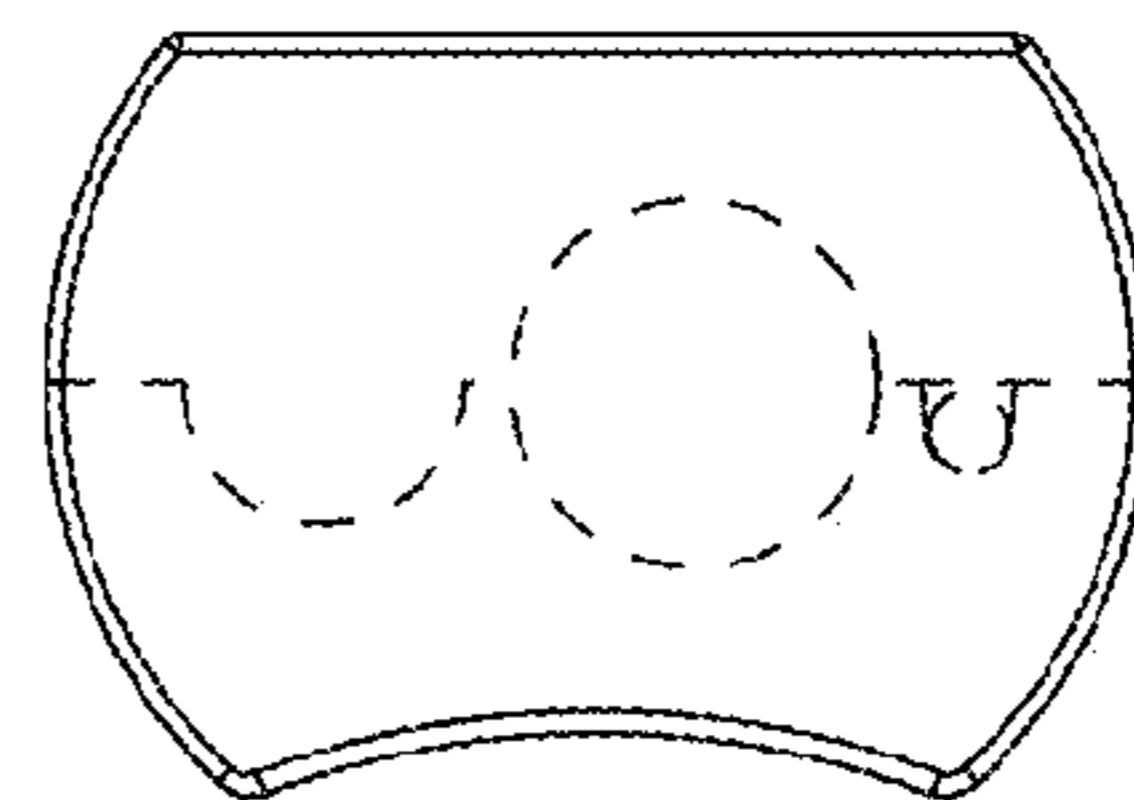


Fig. 10



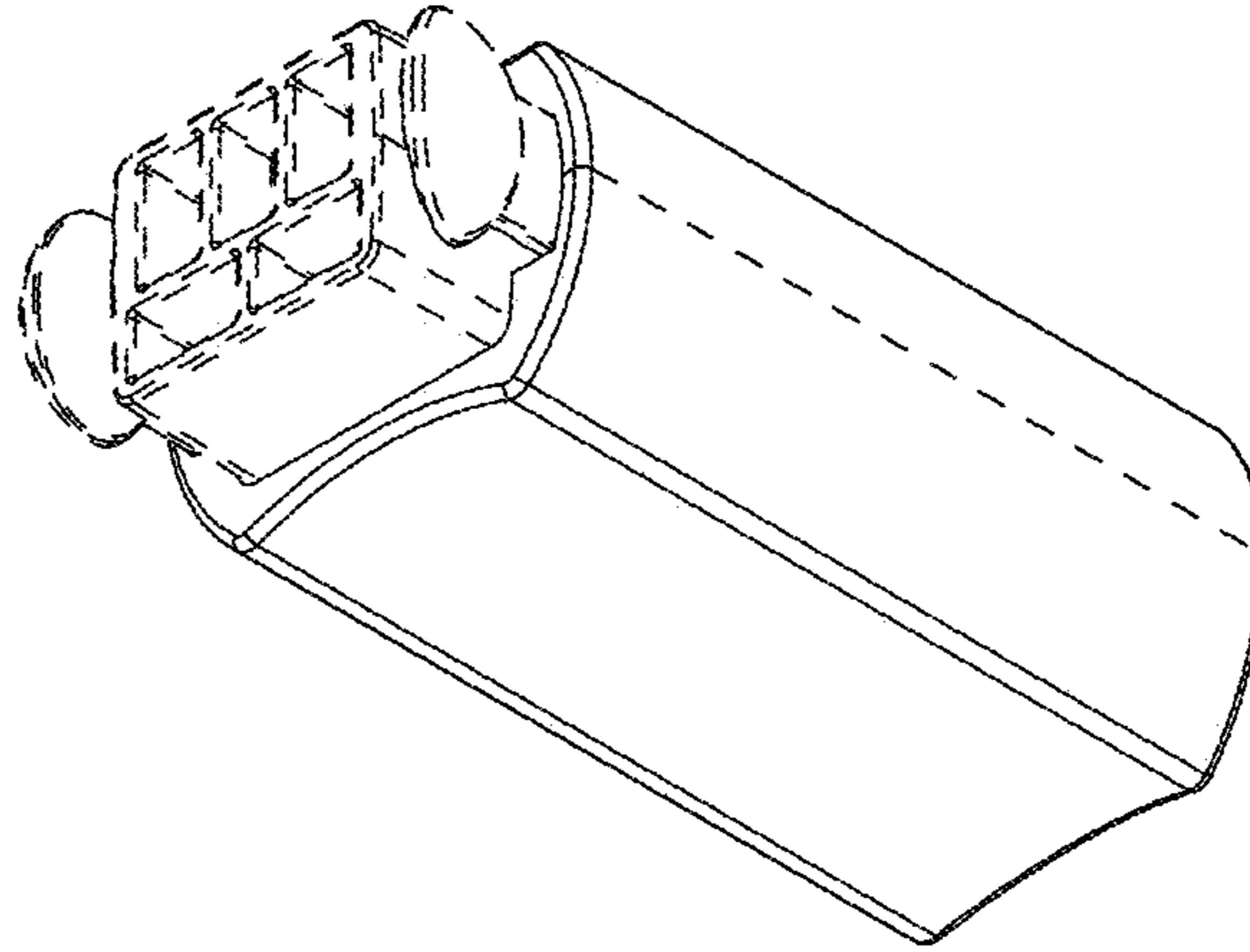


Fig. 12

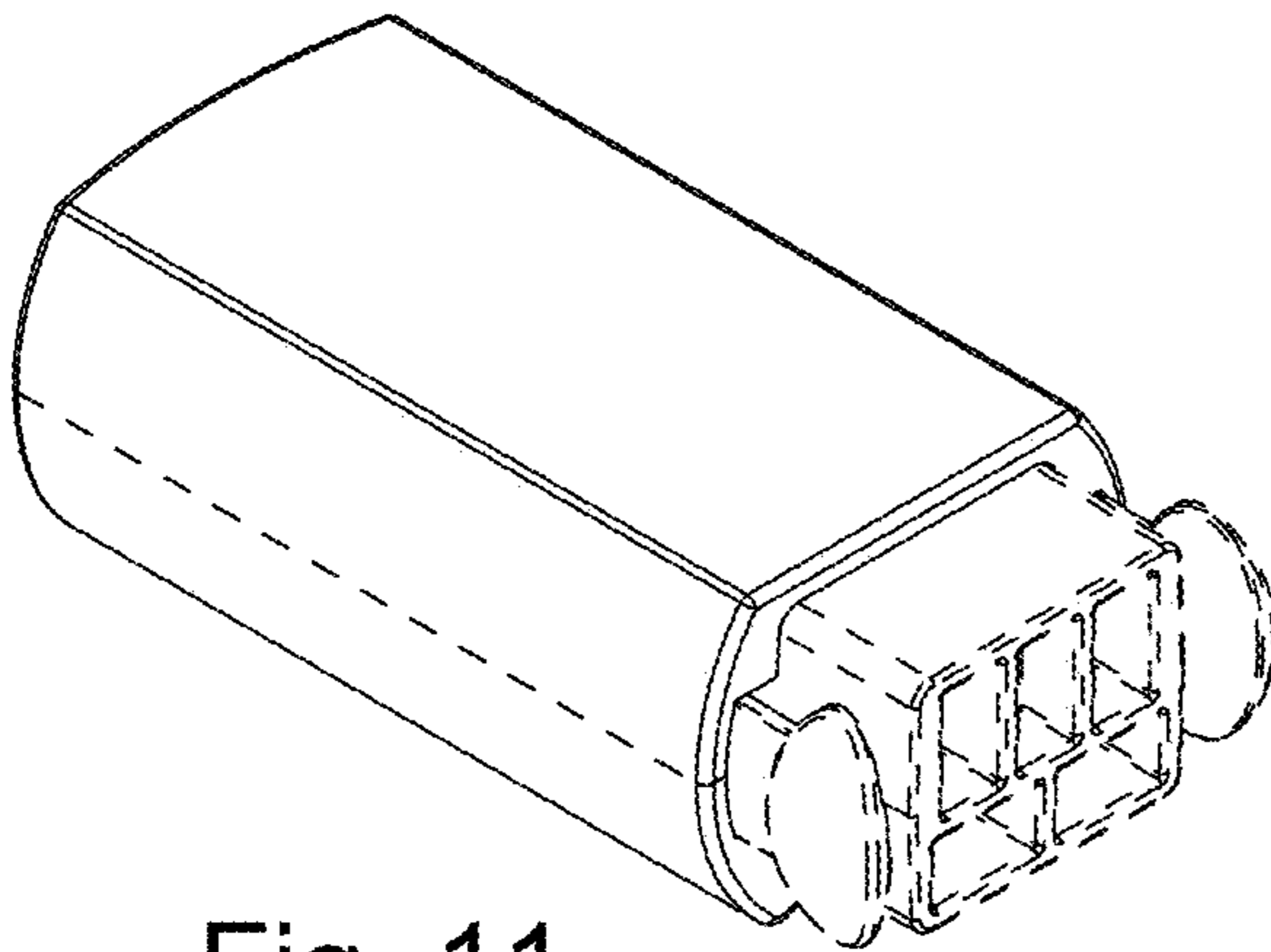


Fig. 11

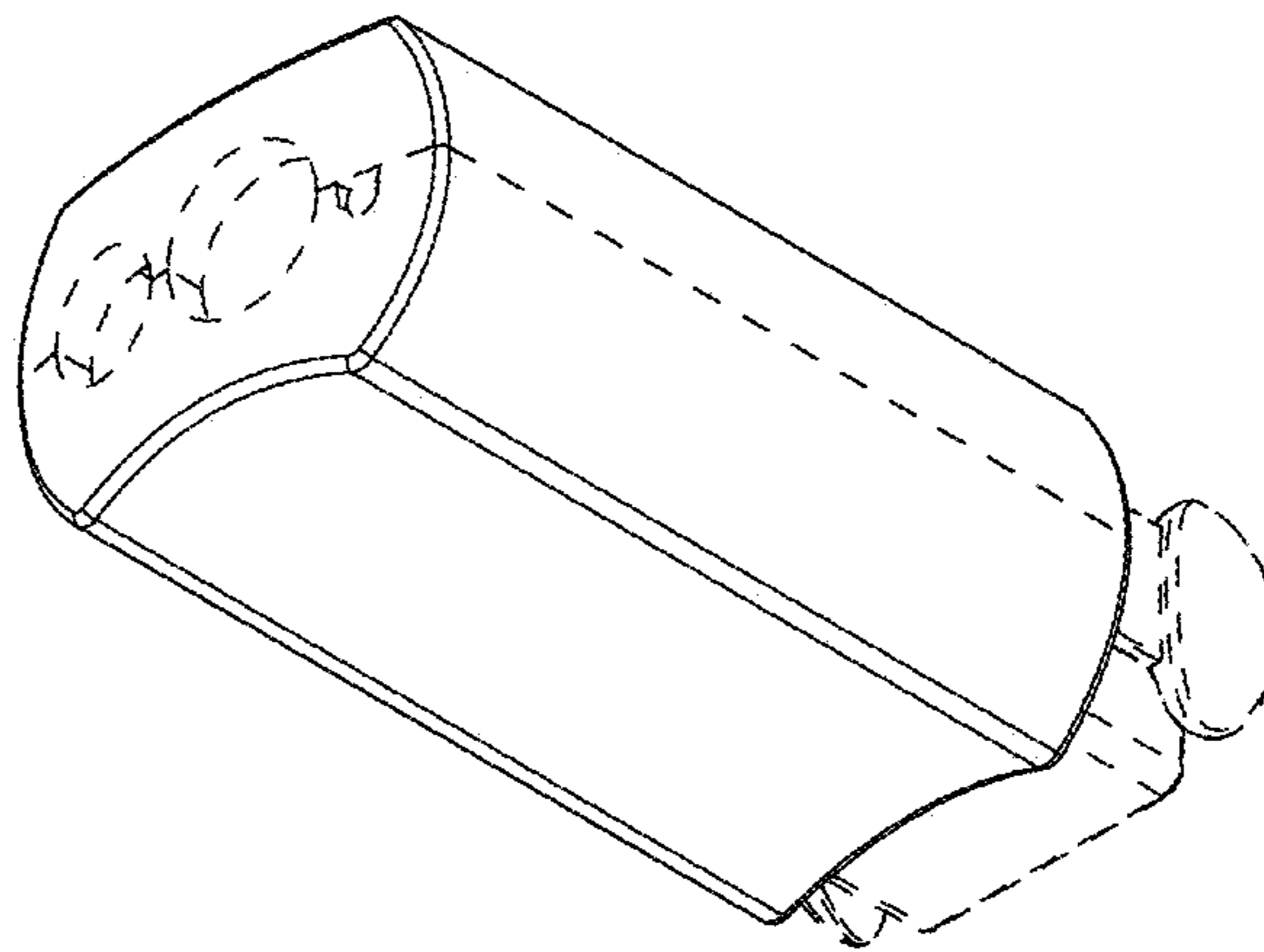


Fig. 14

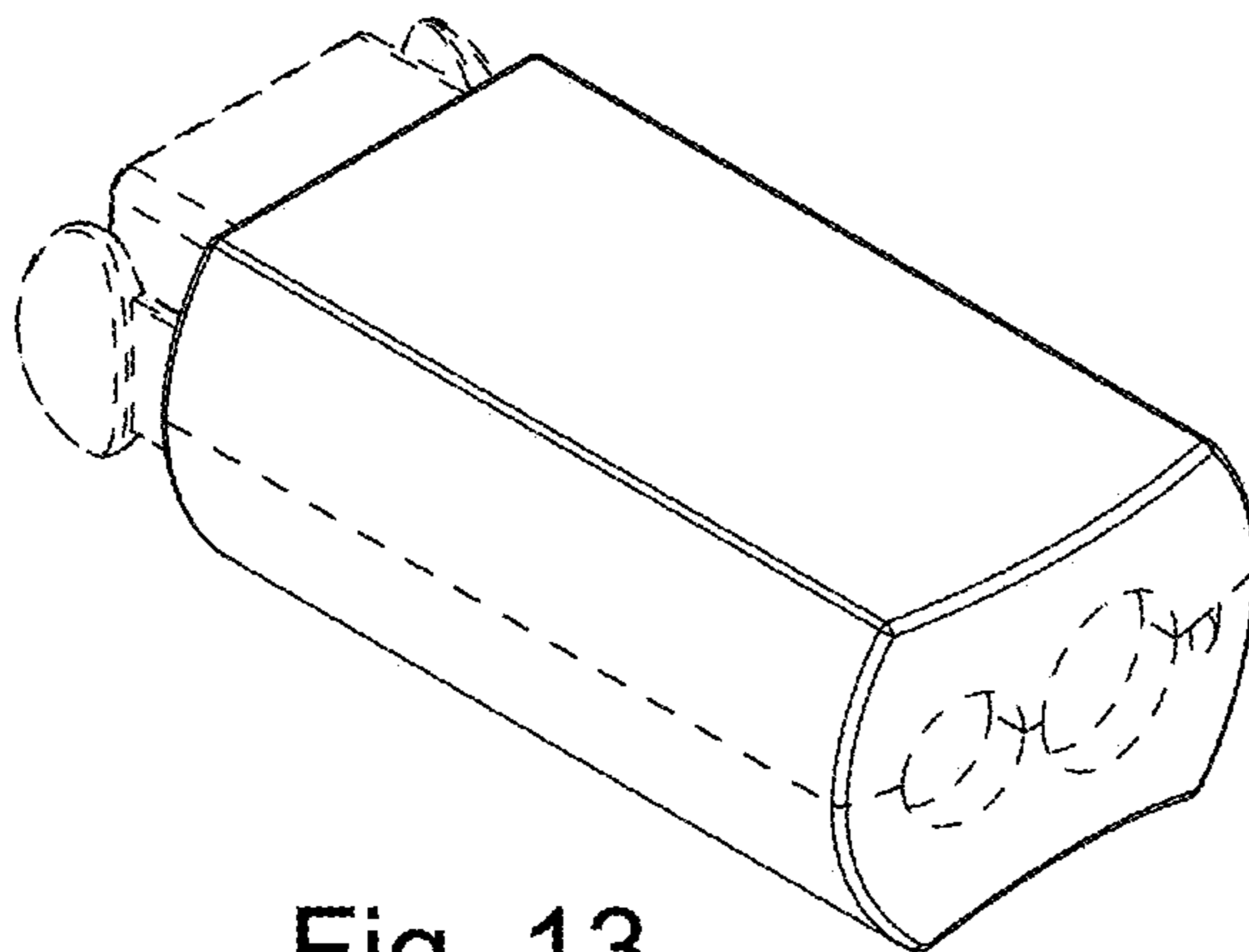


Fig. 13

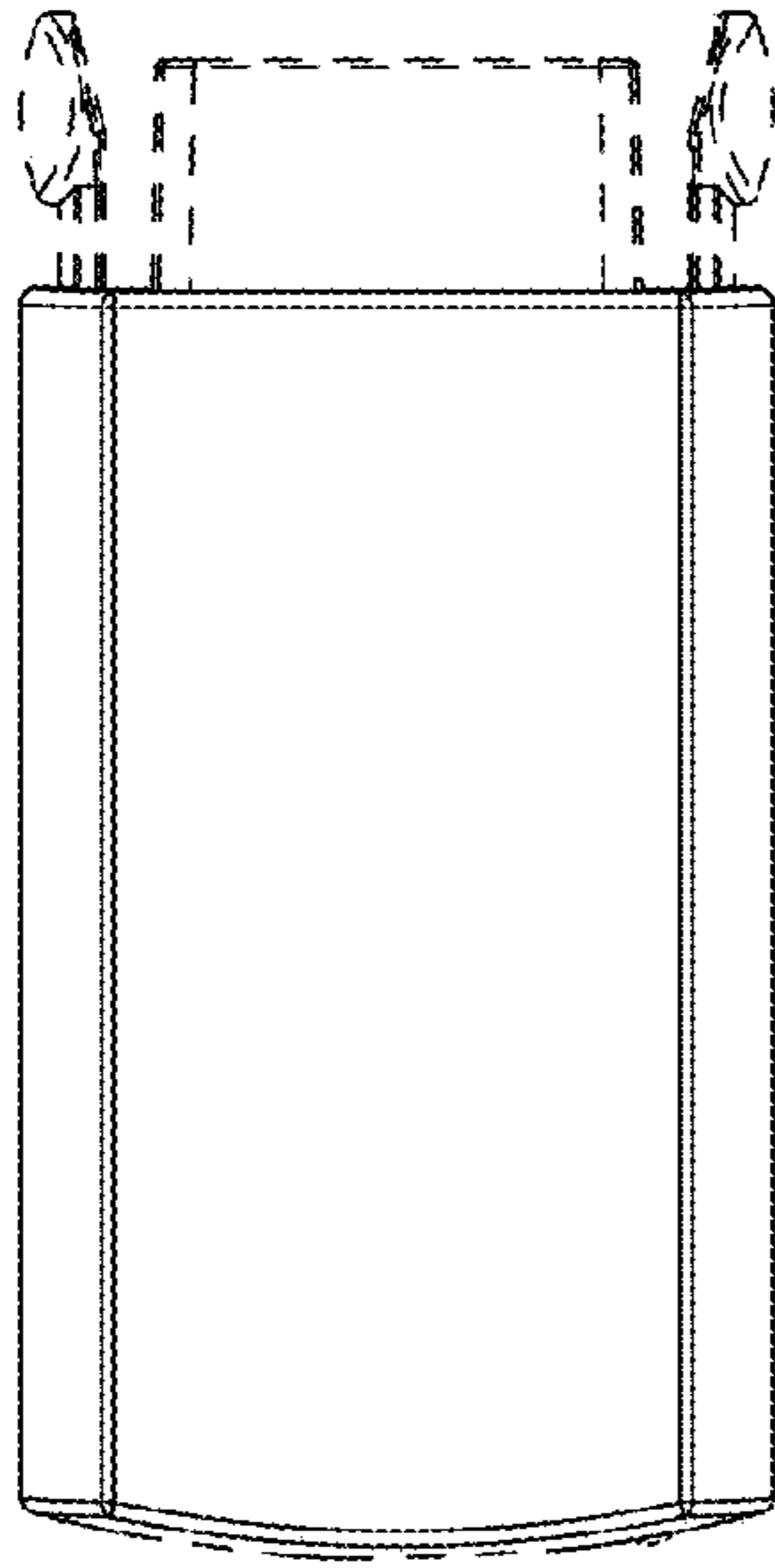


Fig. 15

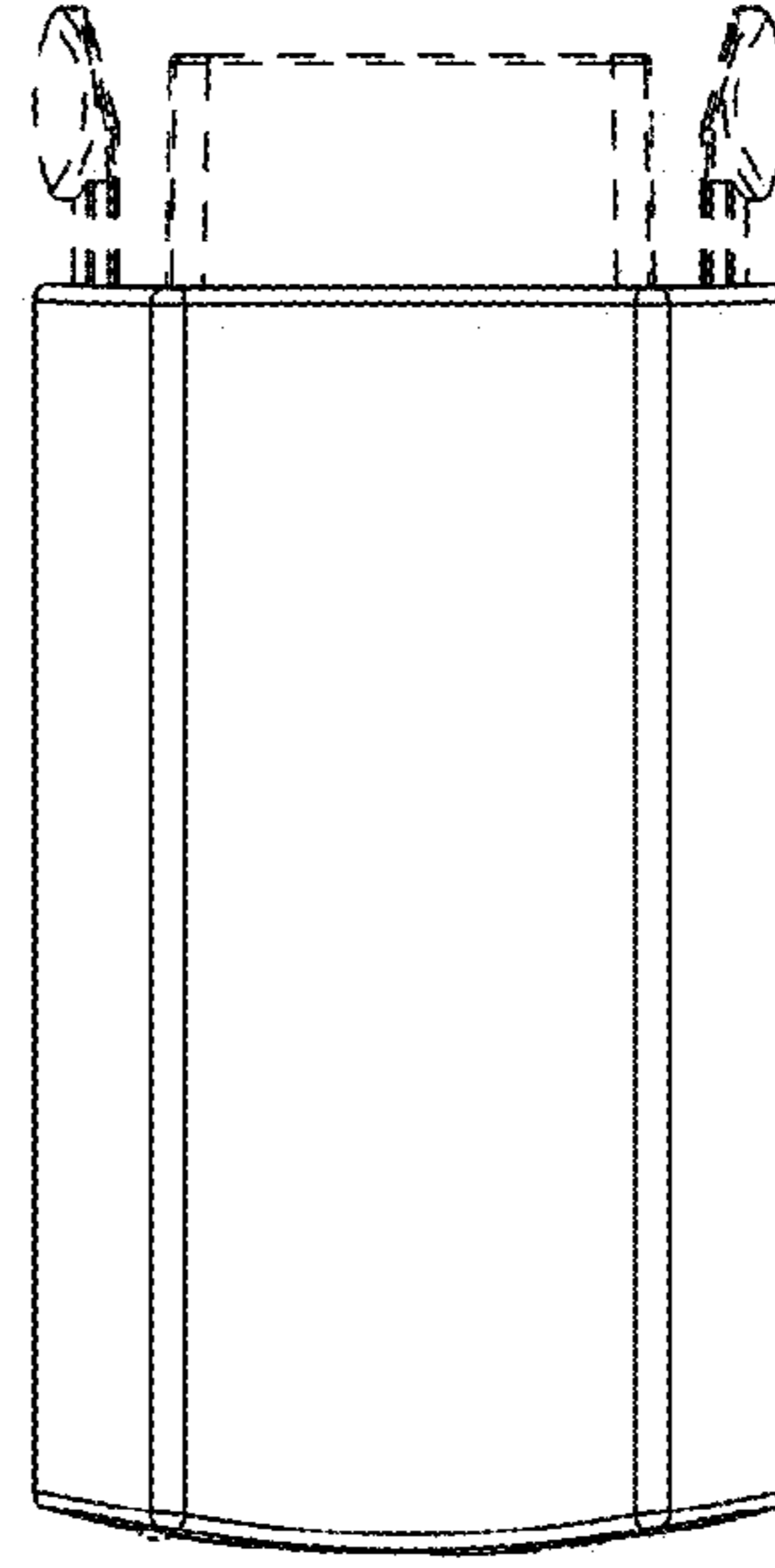


Fig. 16

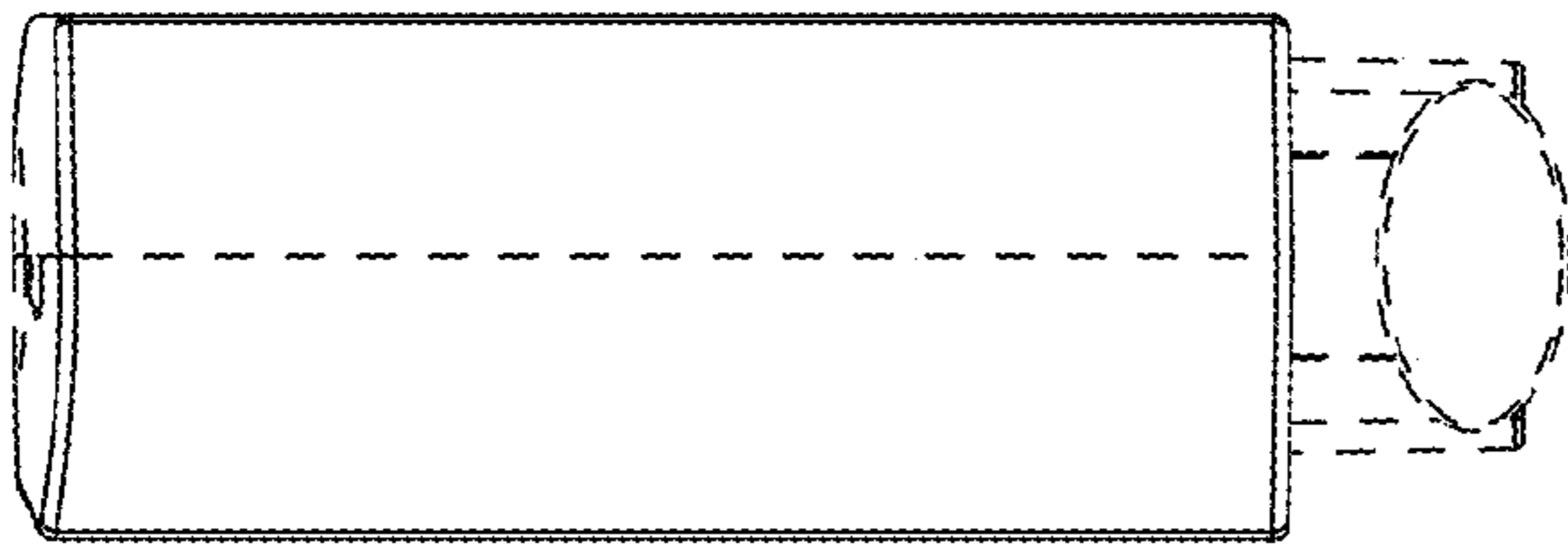


Fig. 17

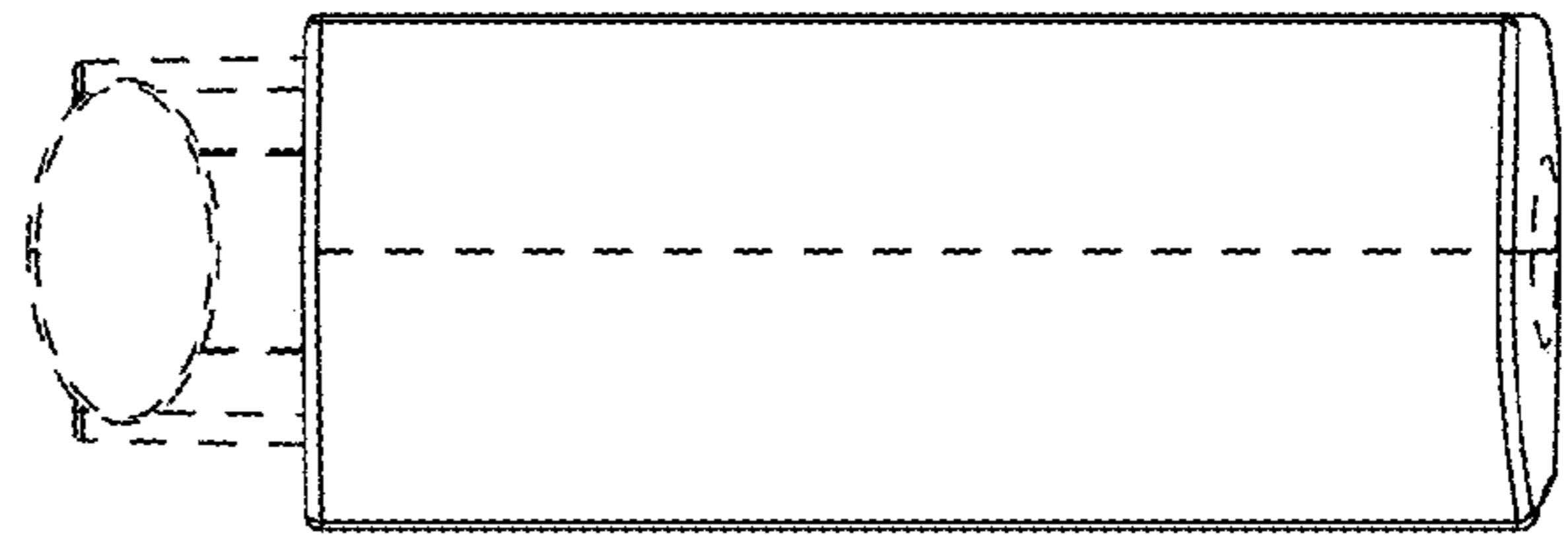


Fig. 18

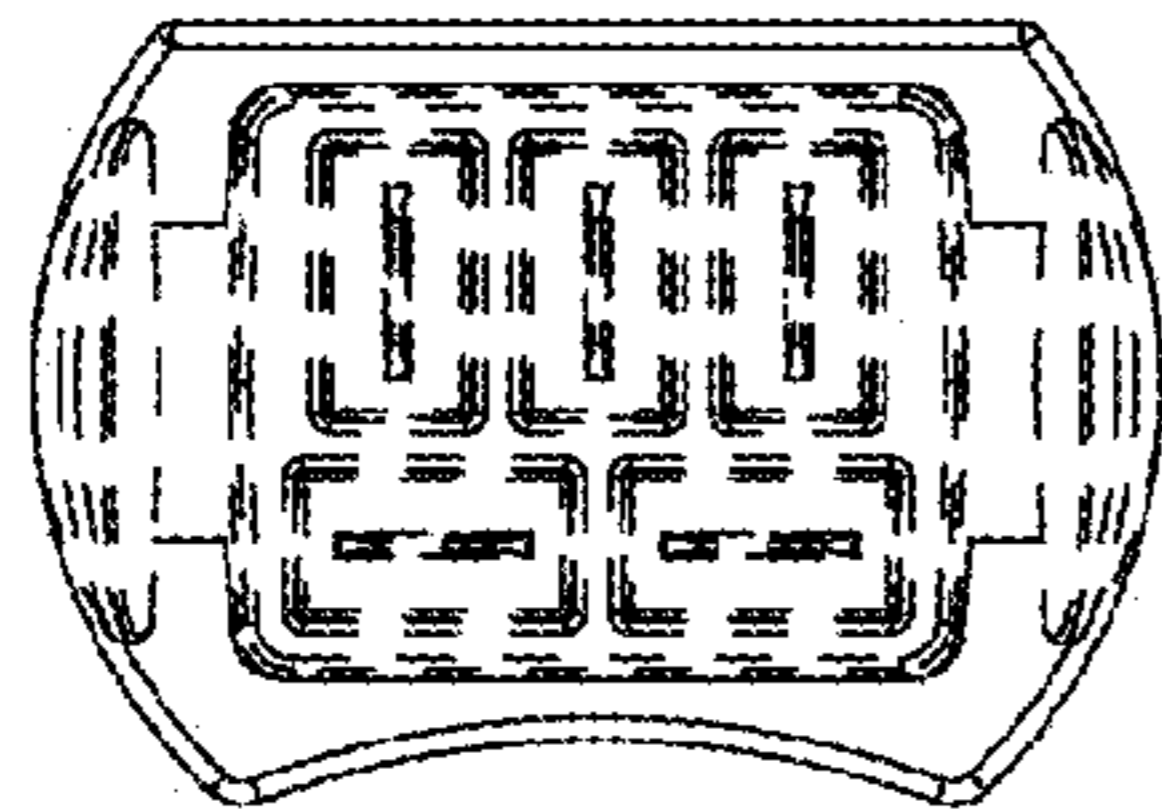


Fig. 19

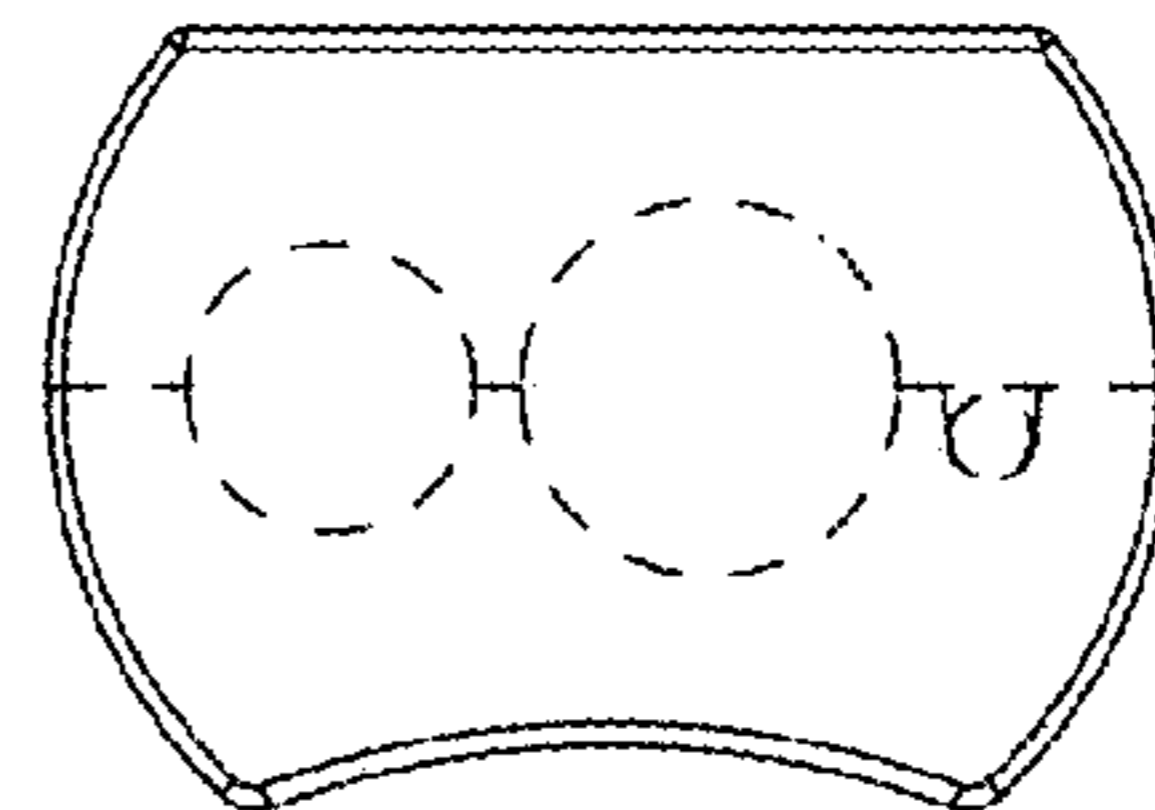


Fig. 20