



US00D943527S

(12) **United States Design Patent**
Su

(10) **Patent No.:** **US D943,527 S**

(45) **Date of Patent:** **** Feb. 15, 2022**

(54) **SURGE-PROTECTED RV ADAPTER**

(71) Applicant: **Peng Su**, Zhejiang (CN)

(72) Inventor: **Peng Su**, Zhejiang (CN)

(73) Assignee: **HANGZHOU SWEET I&E CO., LTD.**, Zhejiang (CN)

(**) Term: **15 Years**

(21) Appl. No.: **29/745,418**

(22) Filed: **Aug. 6, 2020**

(51) **LOC (13) Cl.** **13-02**

(52) **U.S. Cl.**
USPC **D13/110; D13/137.1**

(58) **Field of Classification Search**
USPC D13/110, 101, 107, 108, 118, 133,
D13/137.1–137.4, 138.1, 138.2, 139.1,
D13/146, 184, 199; D14/433
CPC H01R 4/66; H01R 13/44; H01R 13/4534;
H01R 13/639; H01R 13/6633; H01R
27/00; H01R 27/02; H01R 29/00; H01R
31/06; H02M 1/10; Y10S 439/911
See application file for complete search history.

(56) **References Cited**

U.S. PATENT DOCUMENTS

5,919,060	A *	7/1999	Lee	H01R 27/00 439/518
D454,538	S *	3/2002	Glickman	D13/110
D480,358	S *	10/2003	Klant	D13/110
D520,451	S *	5/2006	Stekelenburg	D13/137.3
D562,766	S *	2/2008	Yang	D13/110
D576,552	S *	9/2008	Caine	D13/137.2
D652,800	S *	1/2012	Liang-Hsu	D13/138.2
D660,235	S *	5/2012	Liang-Hsu	D13/138.2

D669,433	S *	10/2012	Lee	D13/110
D685,736	S *	7/2013	Inskeep	D13/110
D700,144	S *	2/2014	Benedict	D13/147
D720,695	S *	1/2015	Shen	D13/110
D722,020	S *	2/2015	Benedict	D13/110
2007/0032109	A1 *	2/2007	Hung	H01R 13/6675 439/172

* cited by examiner

Primary Examiner — Derrick E Holland

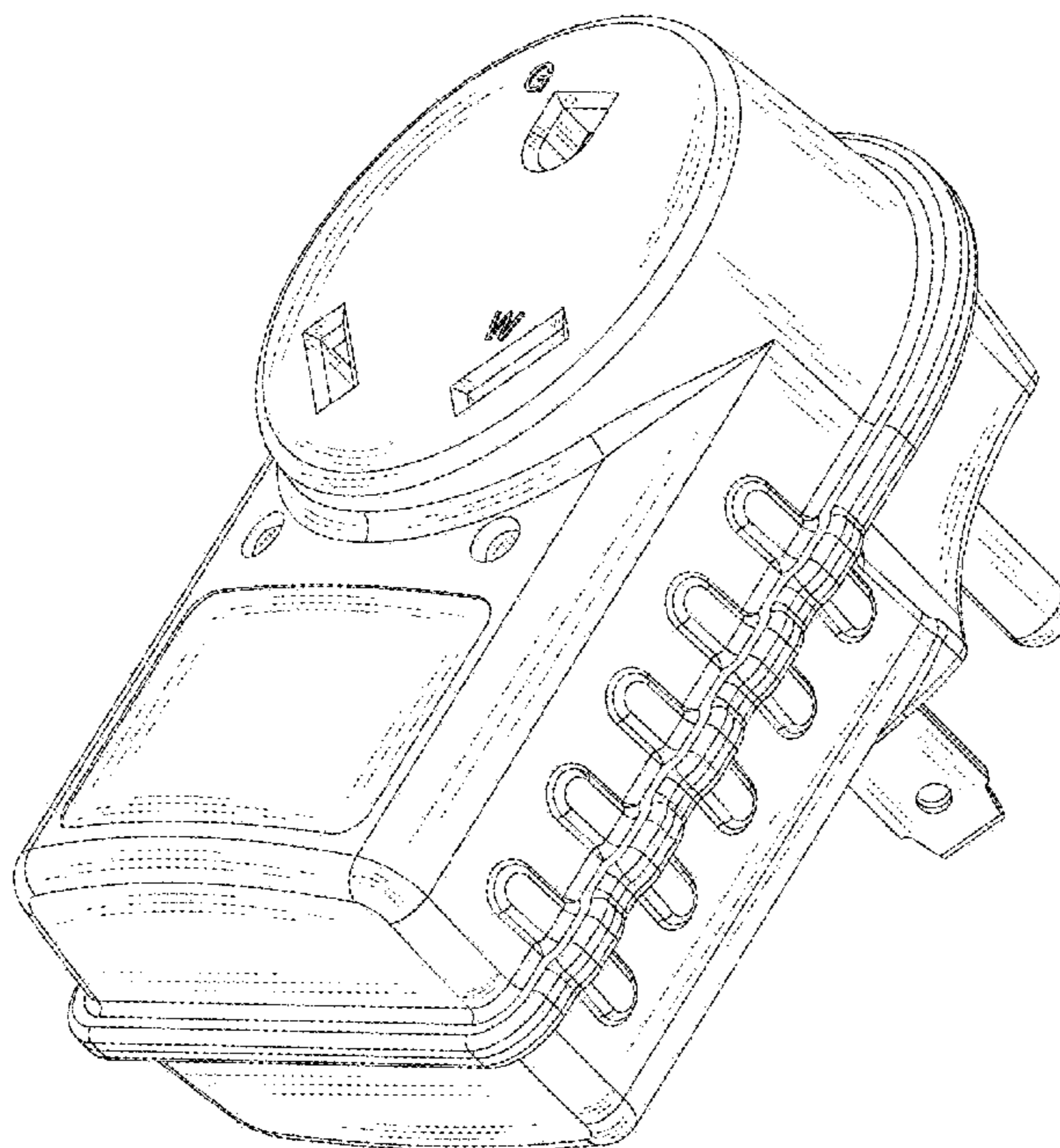
(57) **CLAIM**

The ornamental design for a surge-protected RV adapter, as shown and described.

DESCRIPTION

FIG. 1 is a perspective view of a first embodiment of a surge-protected RV adapter showing my new design; FIG. 2 is a front elevation view of the first embodiment; FIG. 3 is a rear elevation view of the first embodiment; FIG. 4 is a left side elevation view of the first embodiment; FIG. 5 is a right side elevation view of the first embodiment; FIG. 6 is a top plan view of the first embodiment; FIG. 7 is a bottom plan view of the first embodiment; FIG. 8 is a front, right and top perspective view of a second embodiment of a surge-protected RV adapter showing my new design; FIG. 9 is a rear, left and bottom perspective view of the second embodiment; FIG. 10 is a front elevation view of the second embodiment; FIG. 11 is a rear elevation view of the second embodiment; FIG. 12 is a left side elevation view of the second embodiment; FIG. 13 is a right side elevation view of the second embodiment; FIG. 14 is a top plan view of the second embodiment; and, FIG. 15 is a bottom plan view of the second embodiment.

1 Claim, 15 Drawing Sheets



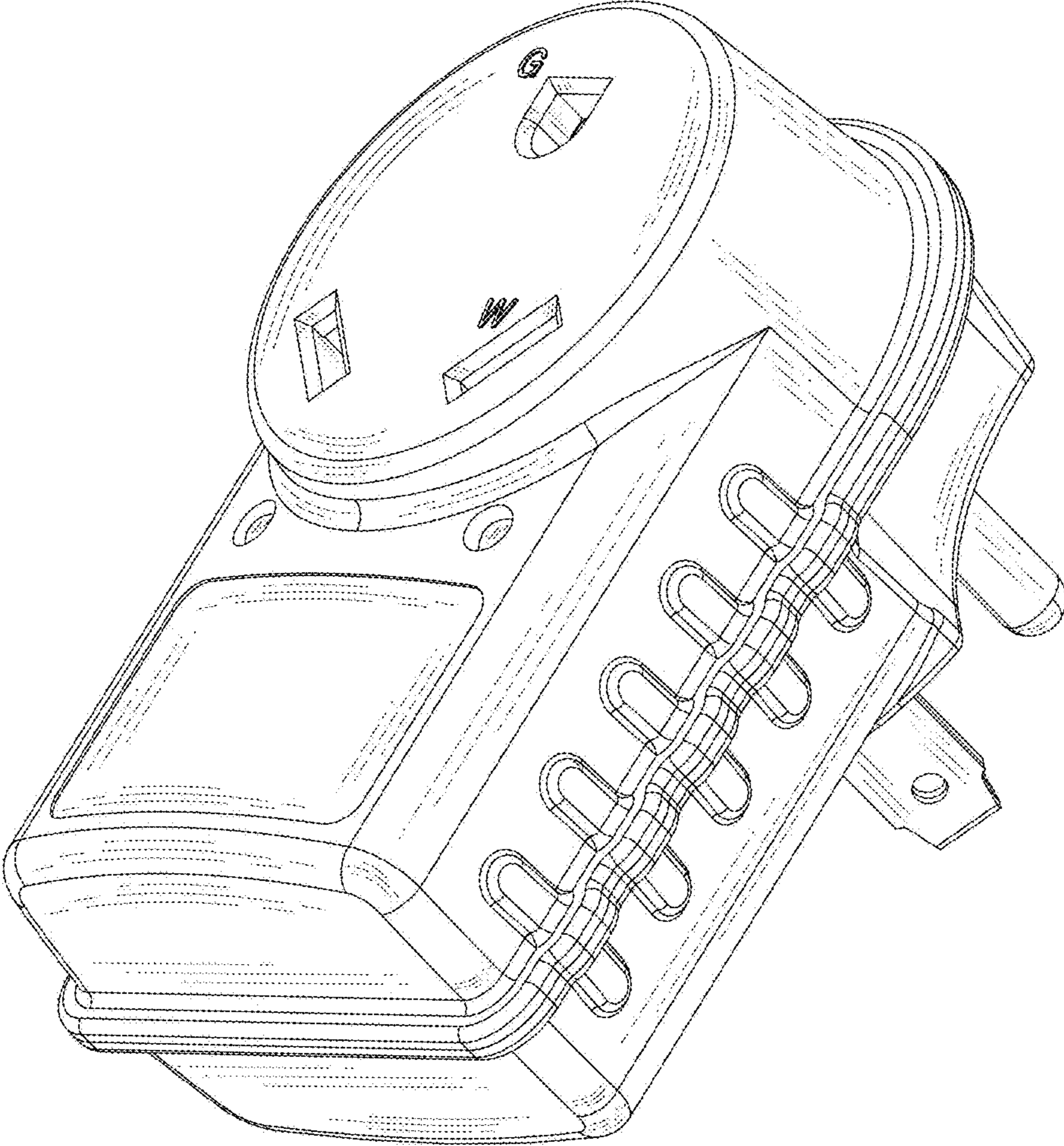


FIG.1

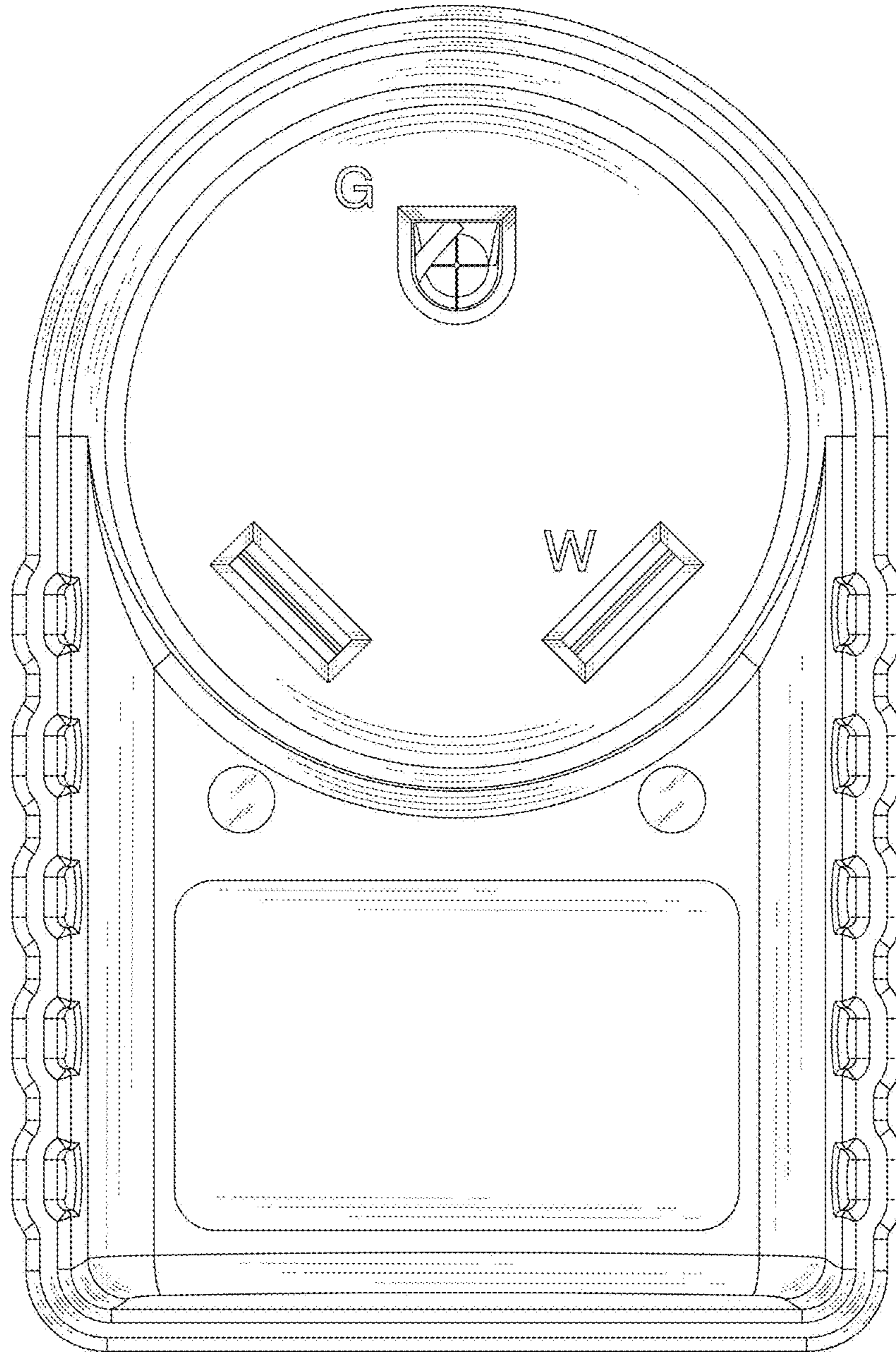


FIG.2

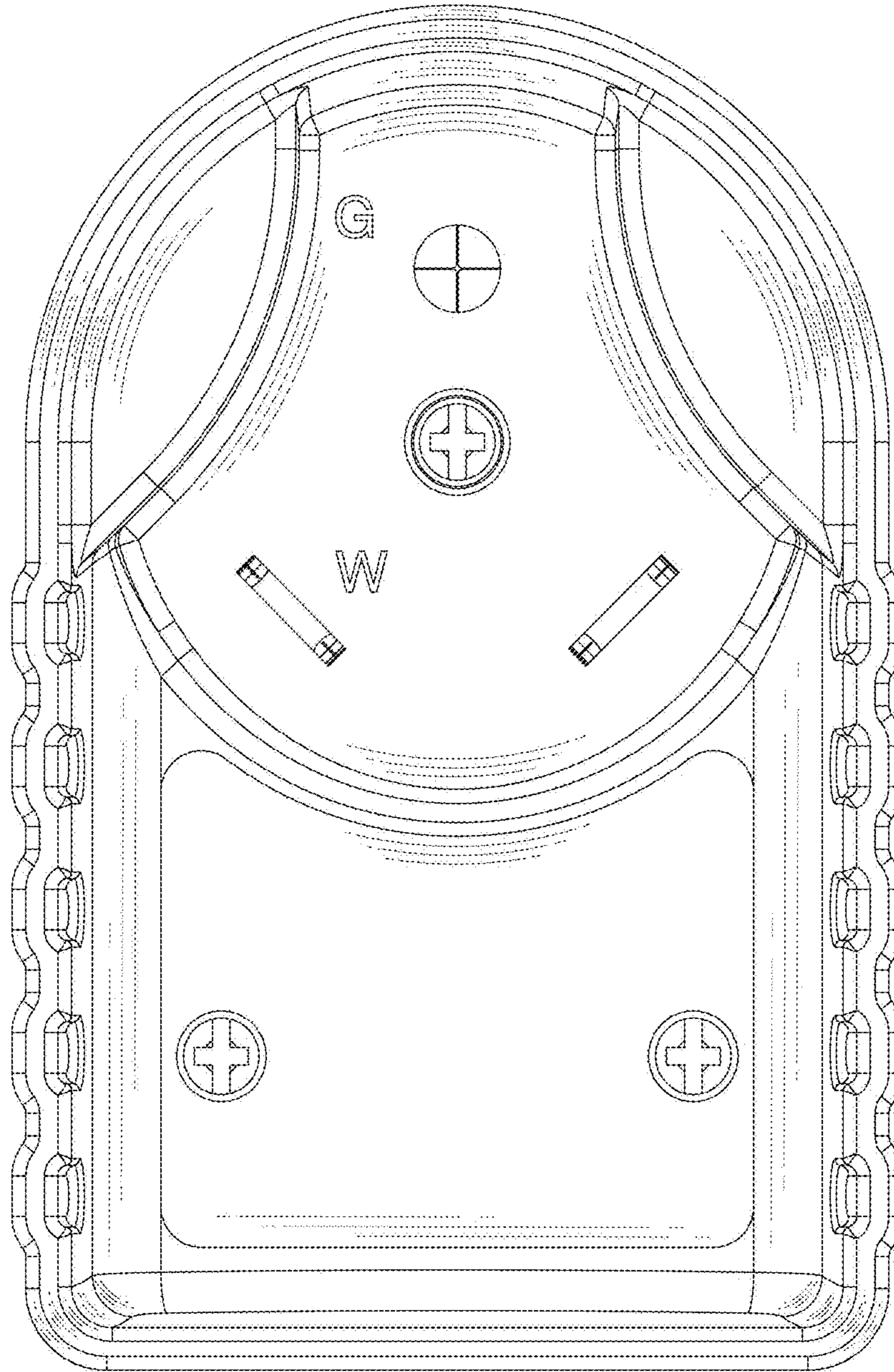


FIG. 3

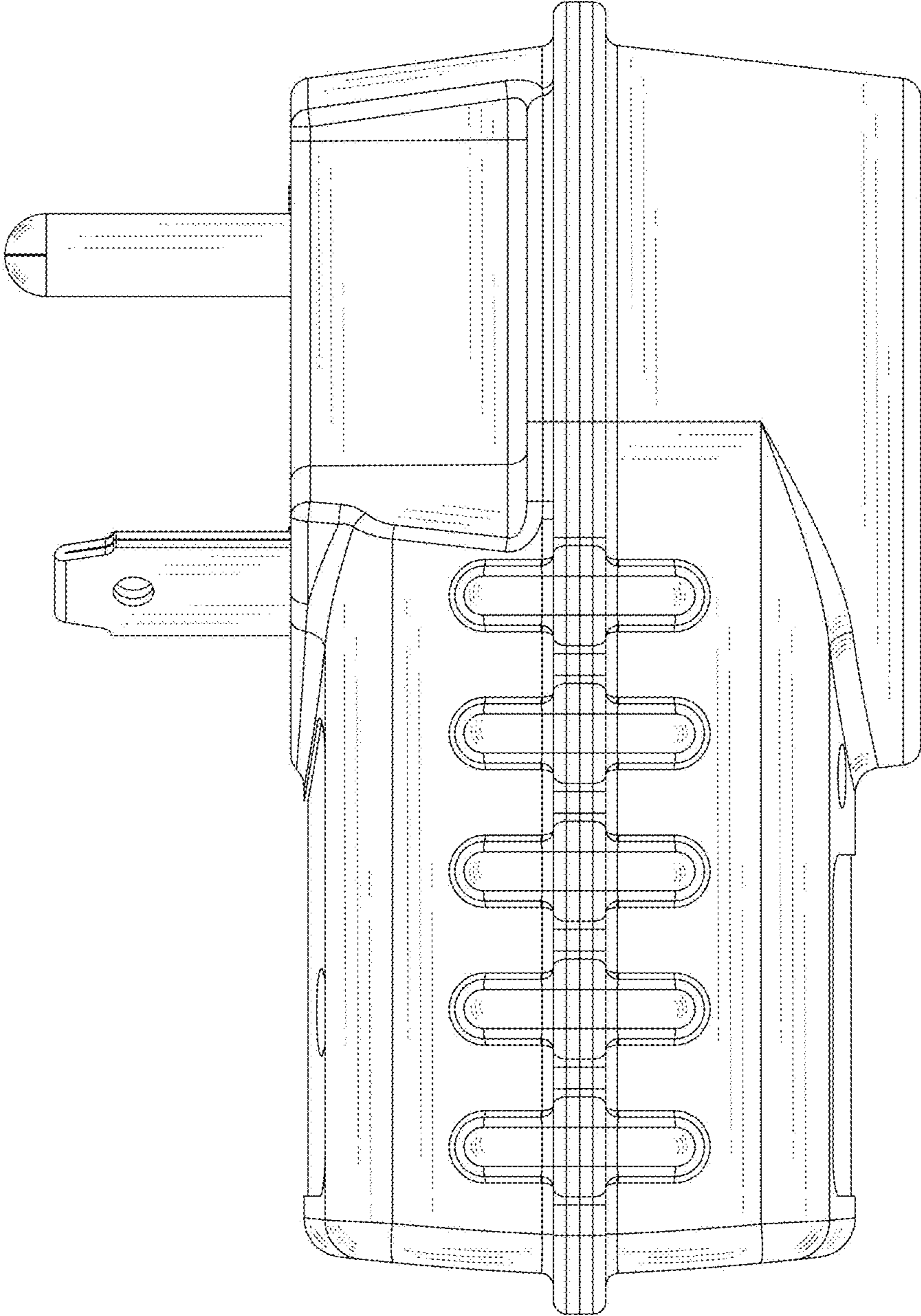


FIG.4

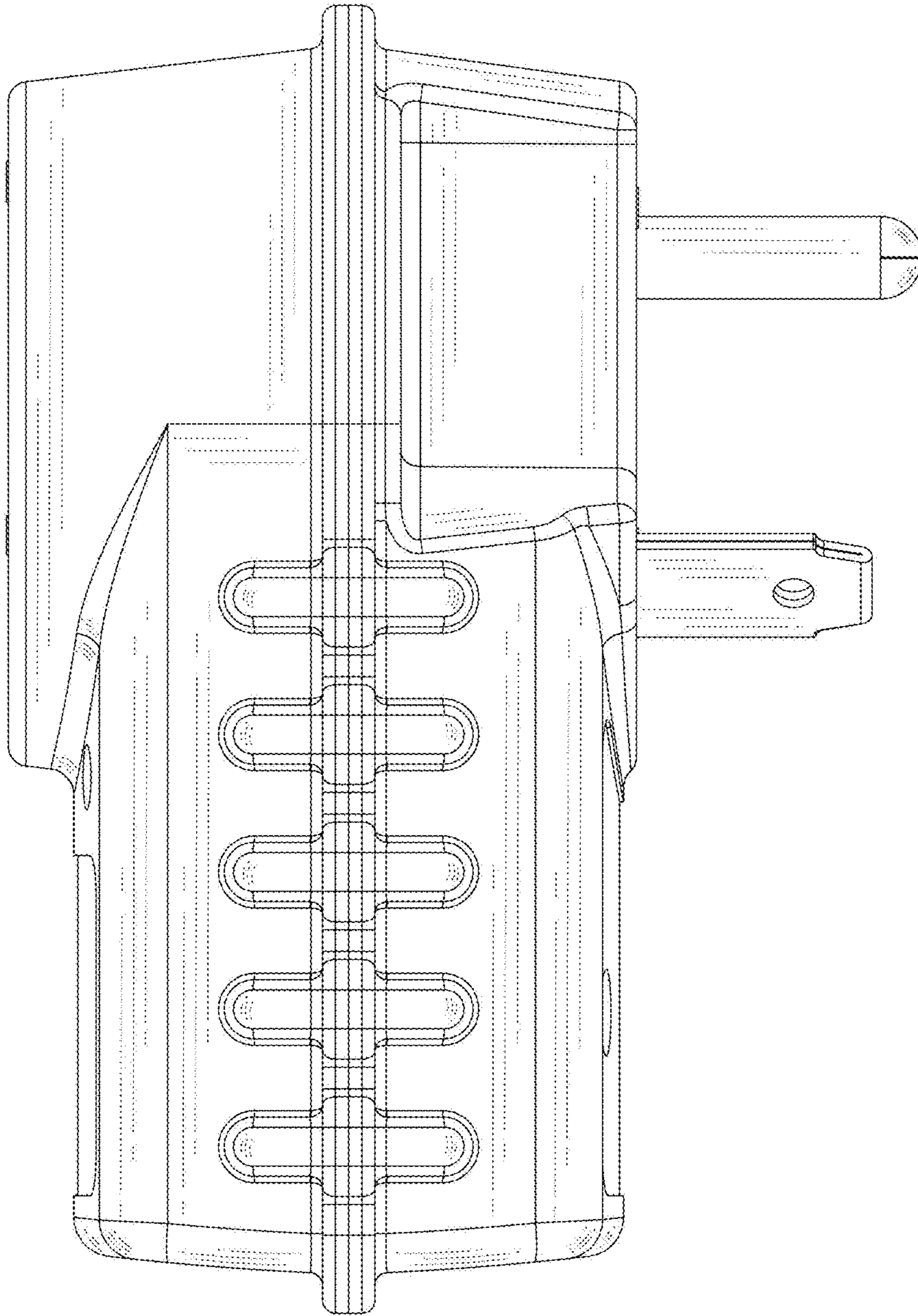


FIG.5

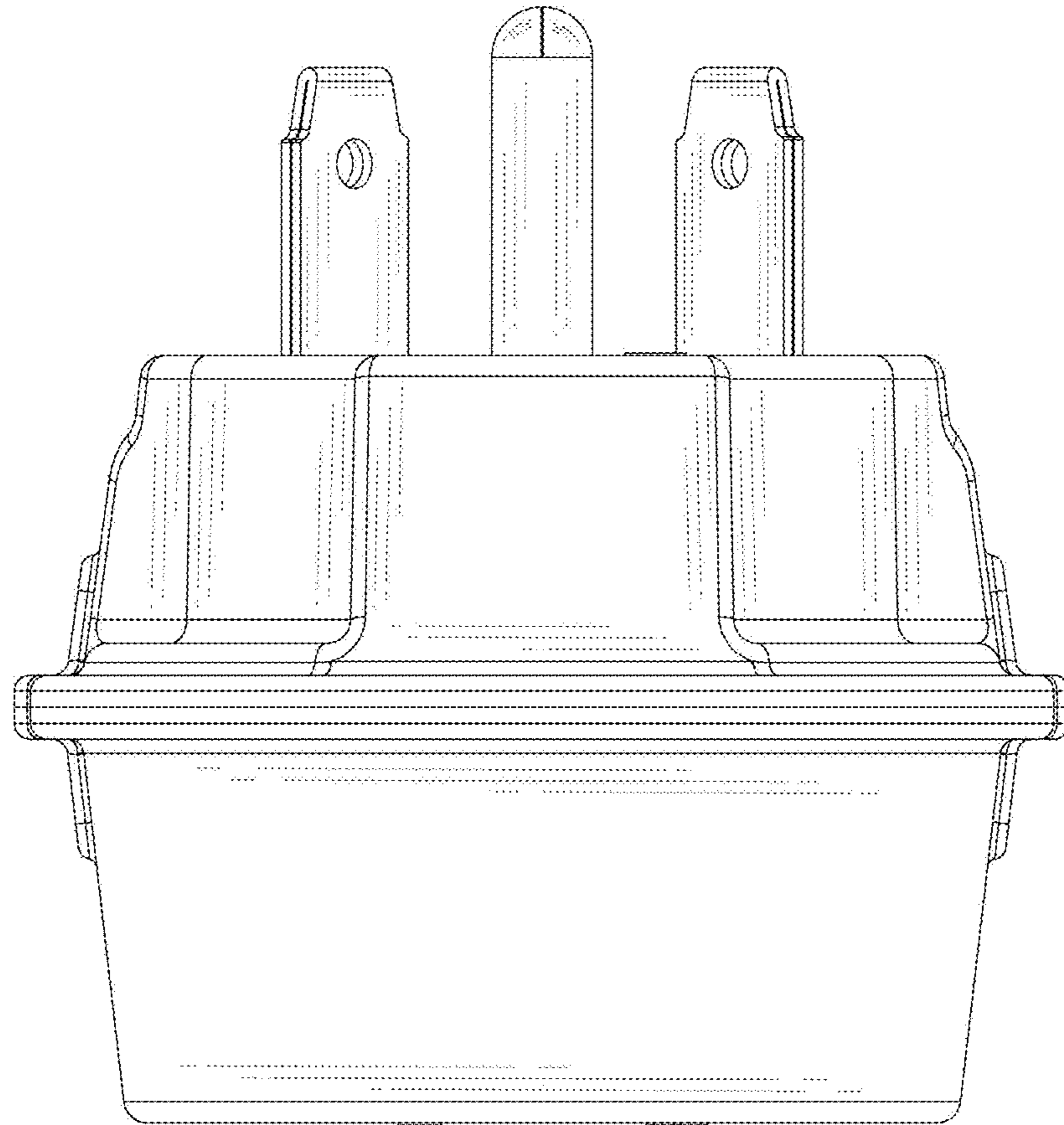


FIG.6

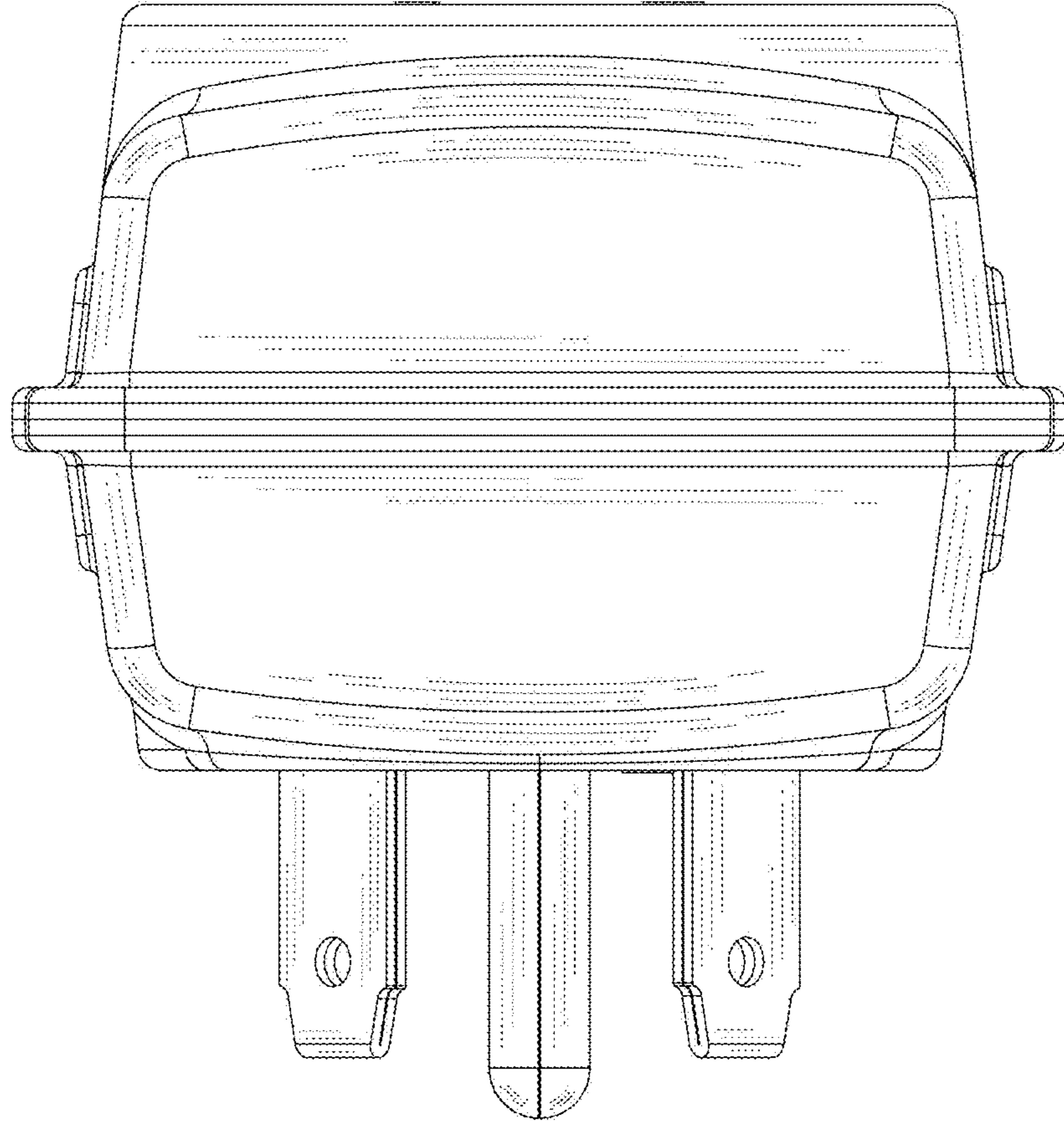


FIG. 7

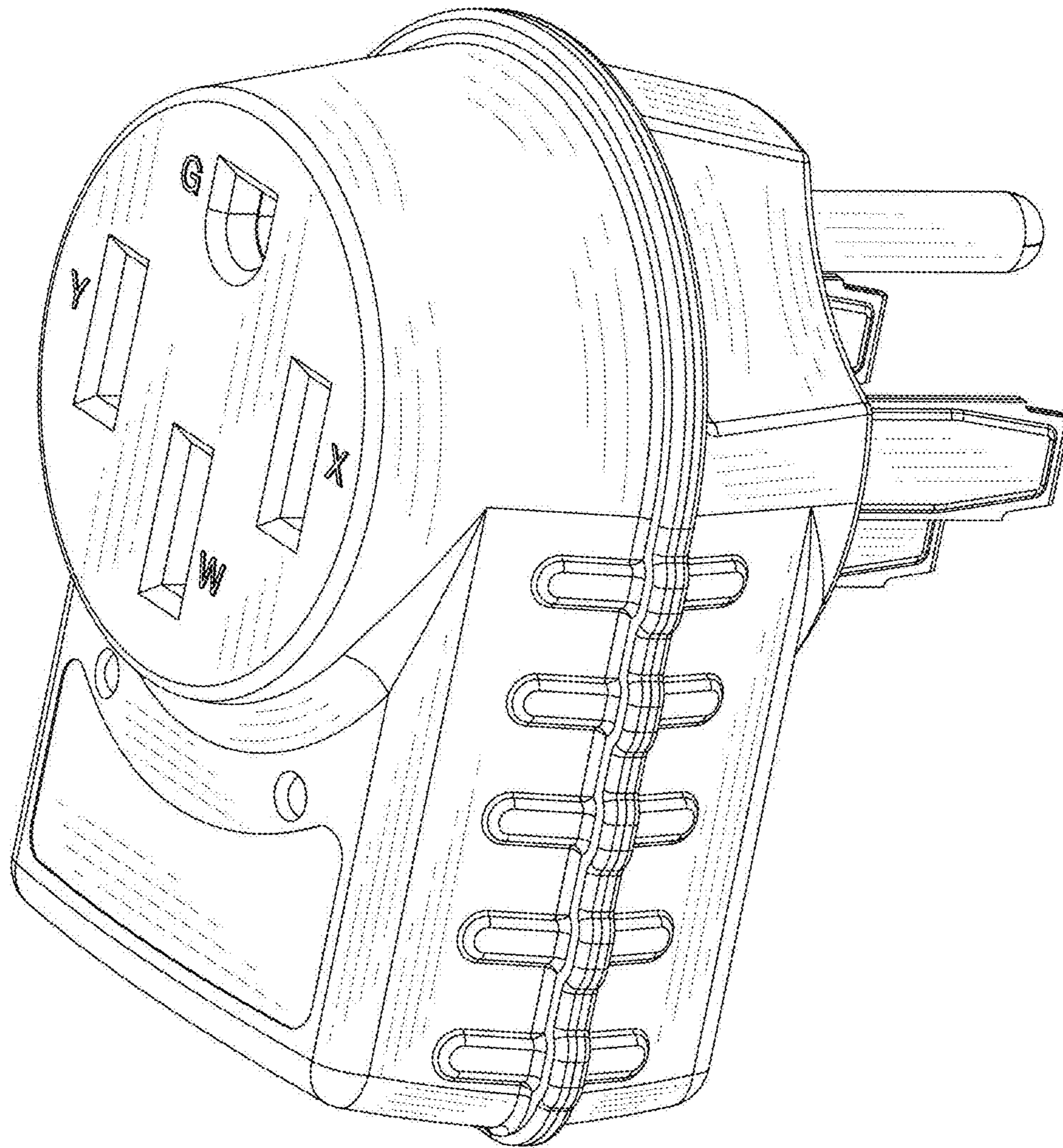


FIG. 8

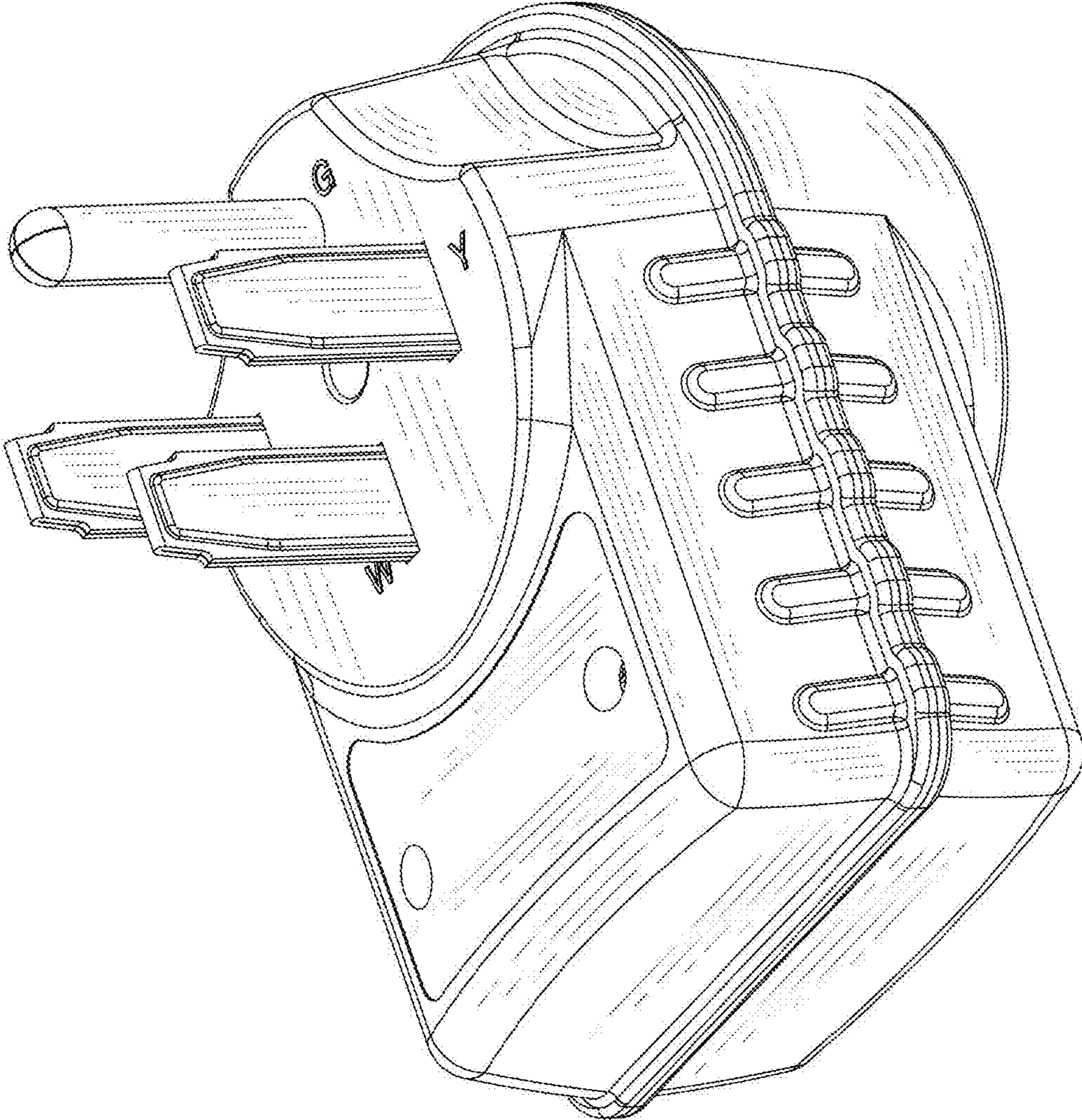


FIG. 9

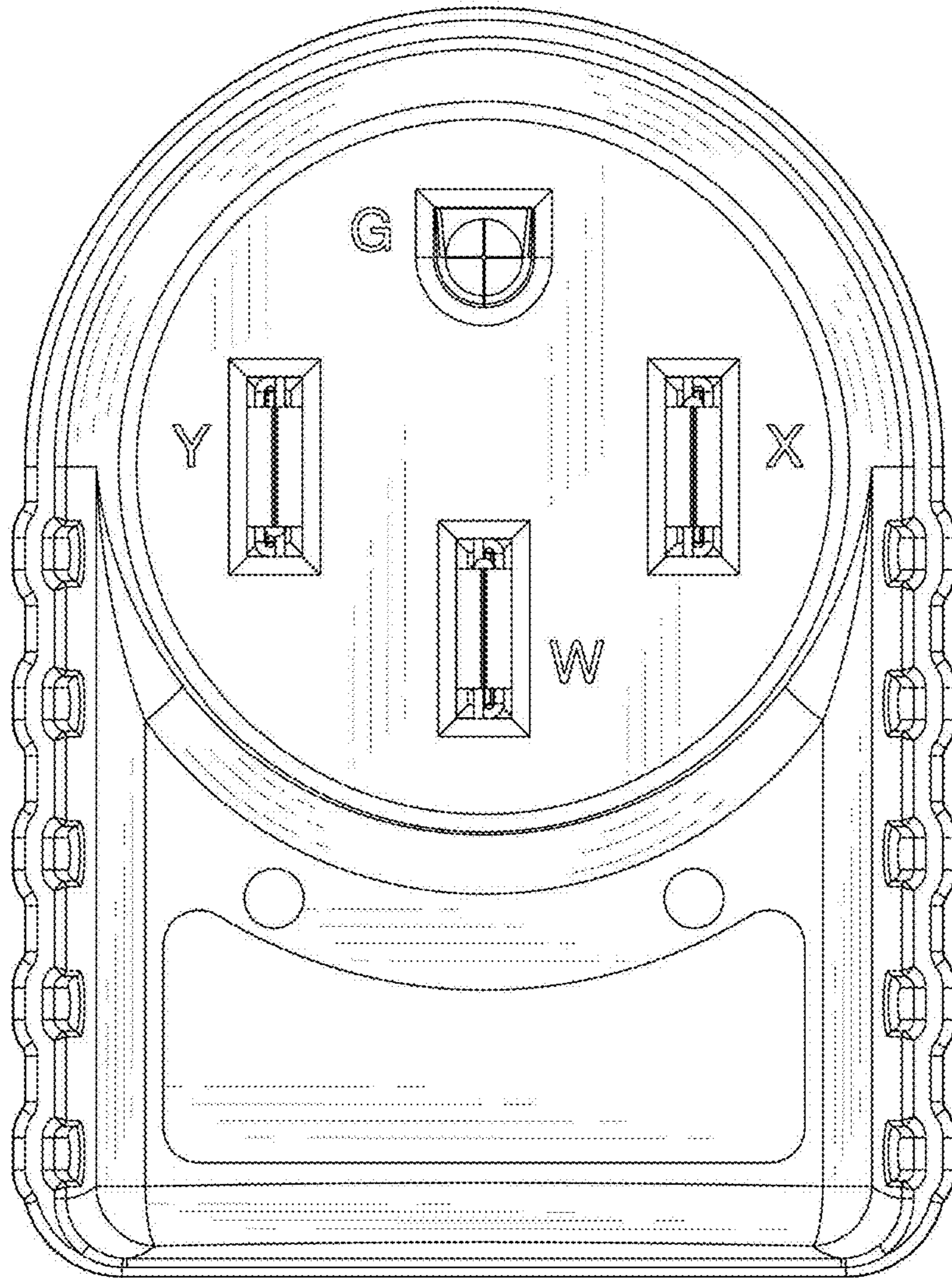


FIG. 10

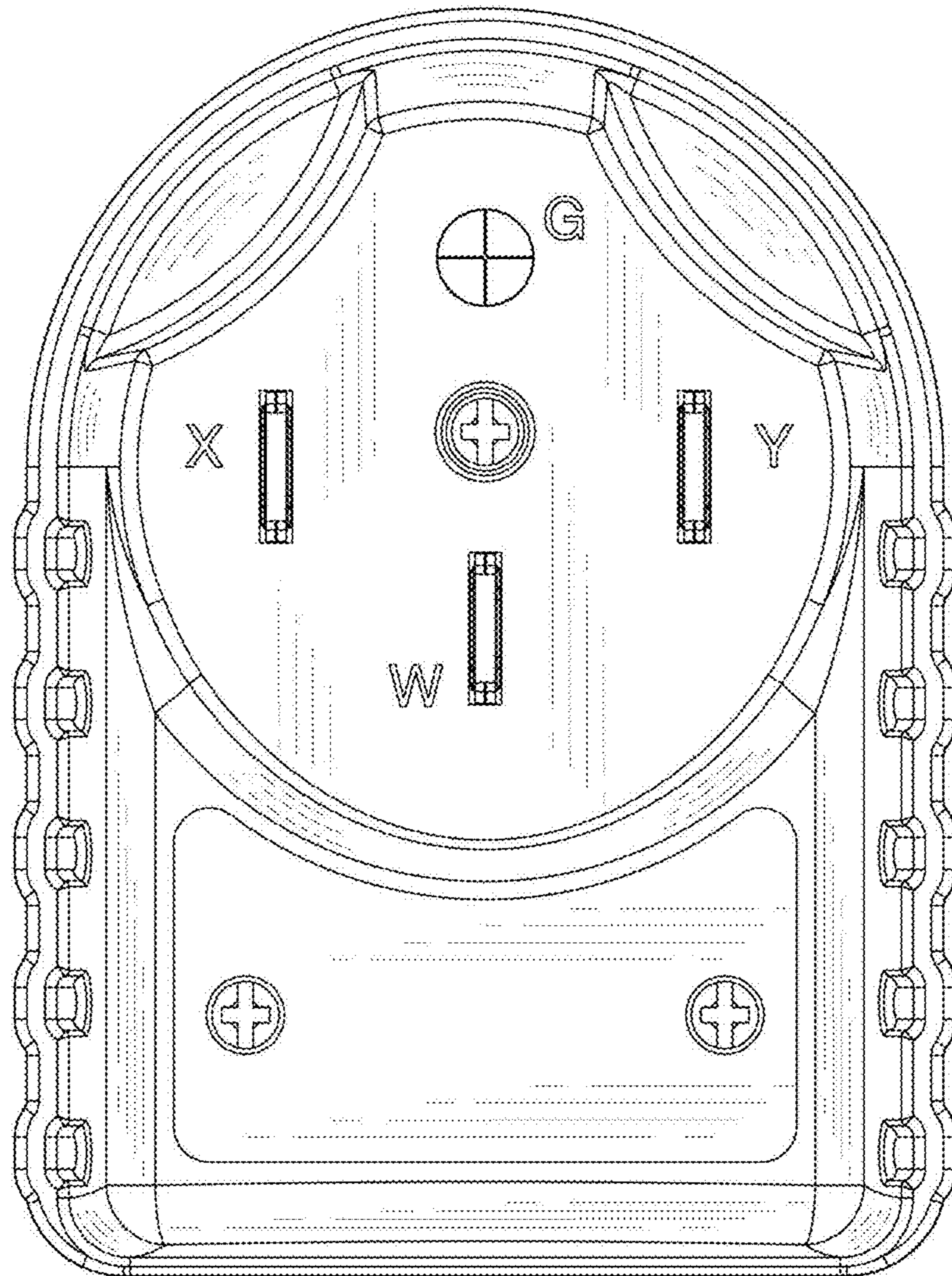


FIG. 11

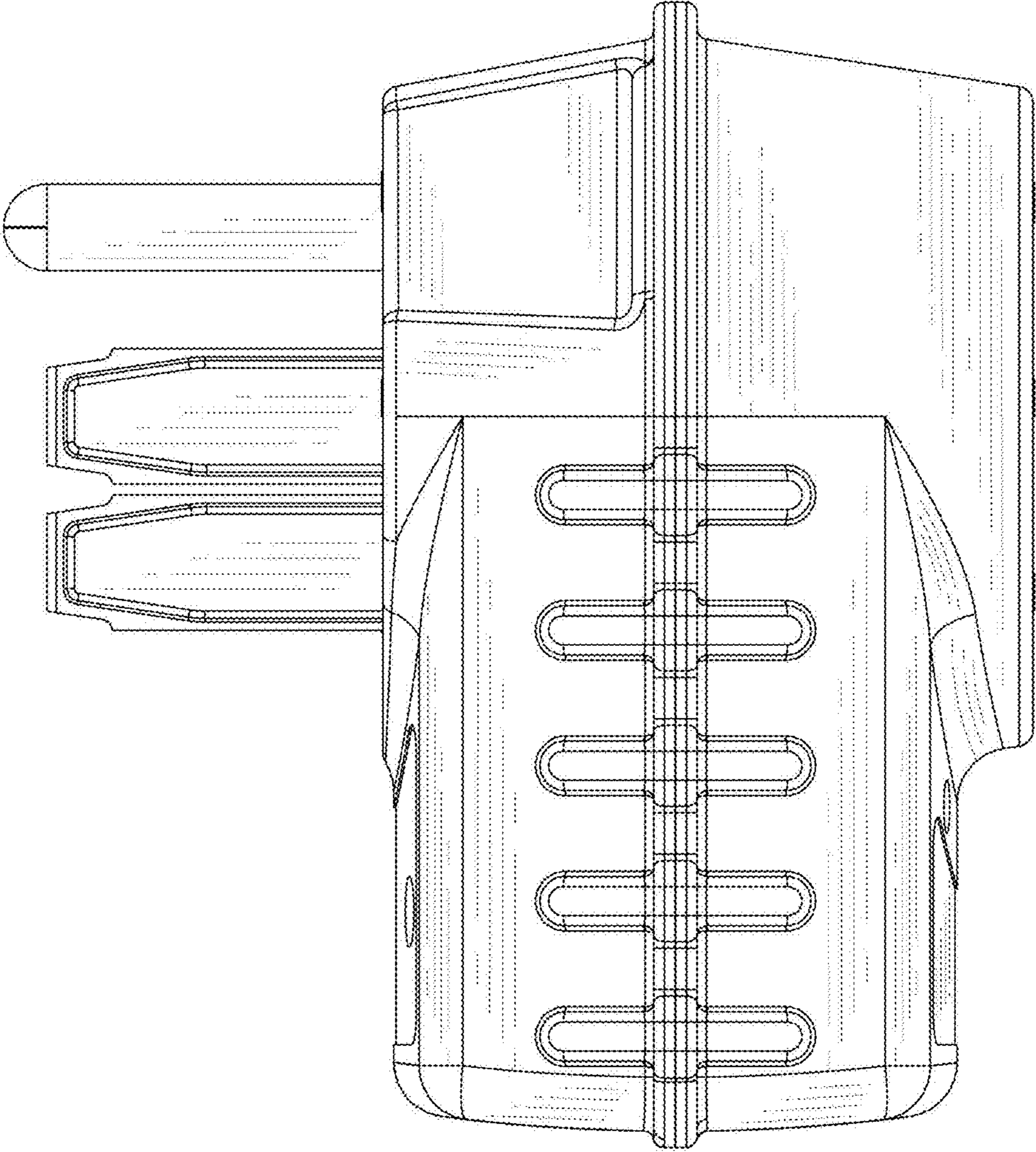


FIG. 12

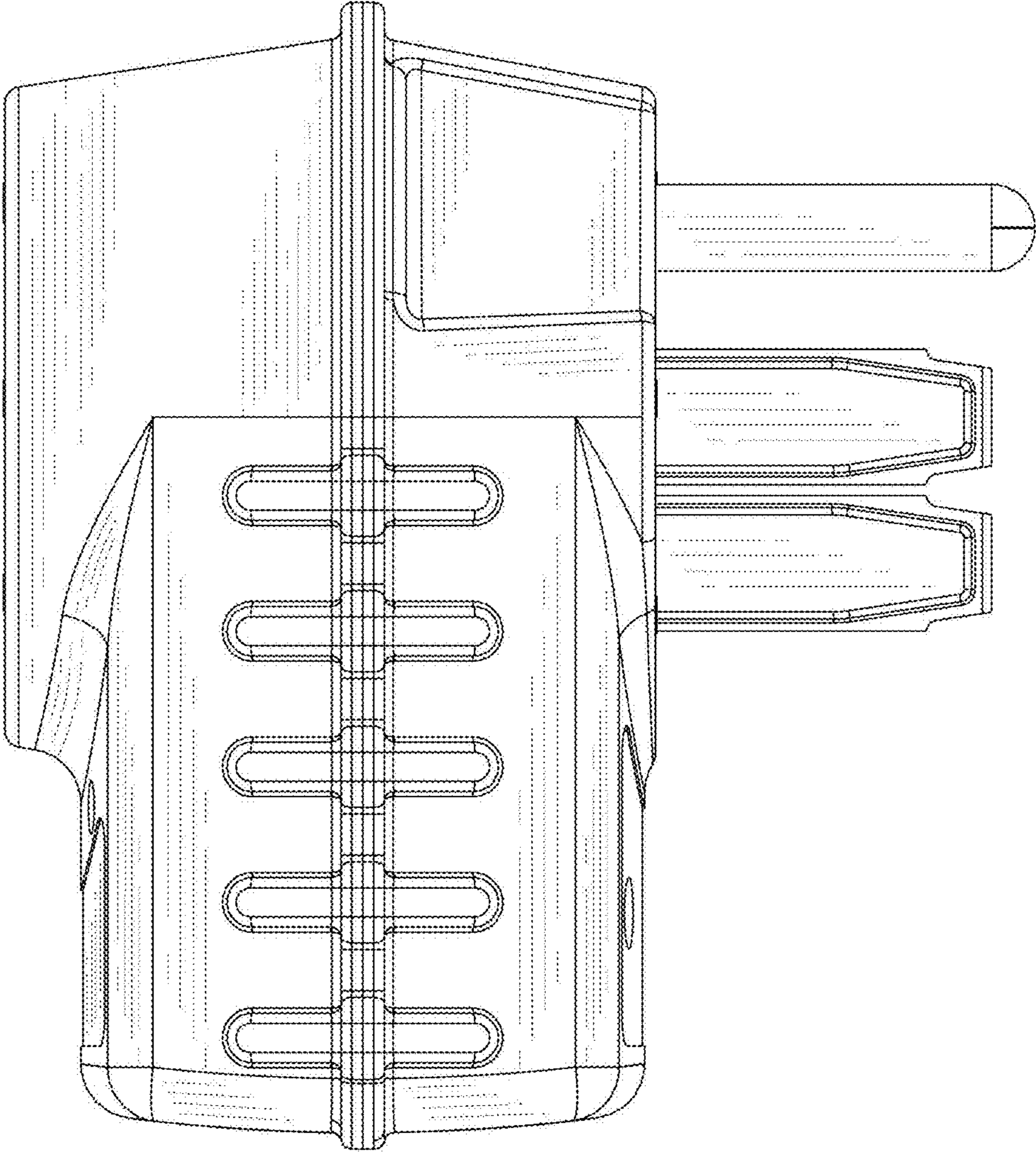


FIG. 13

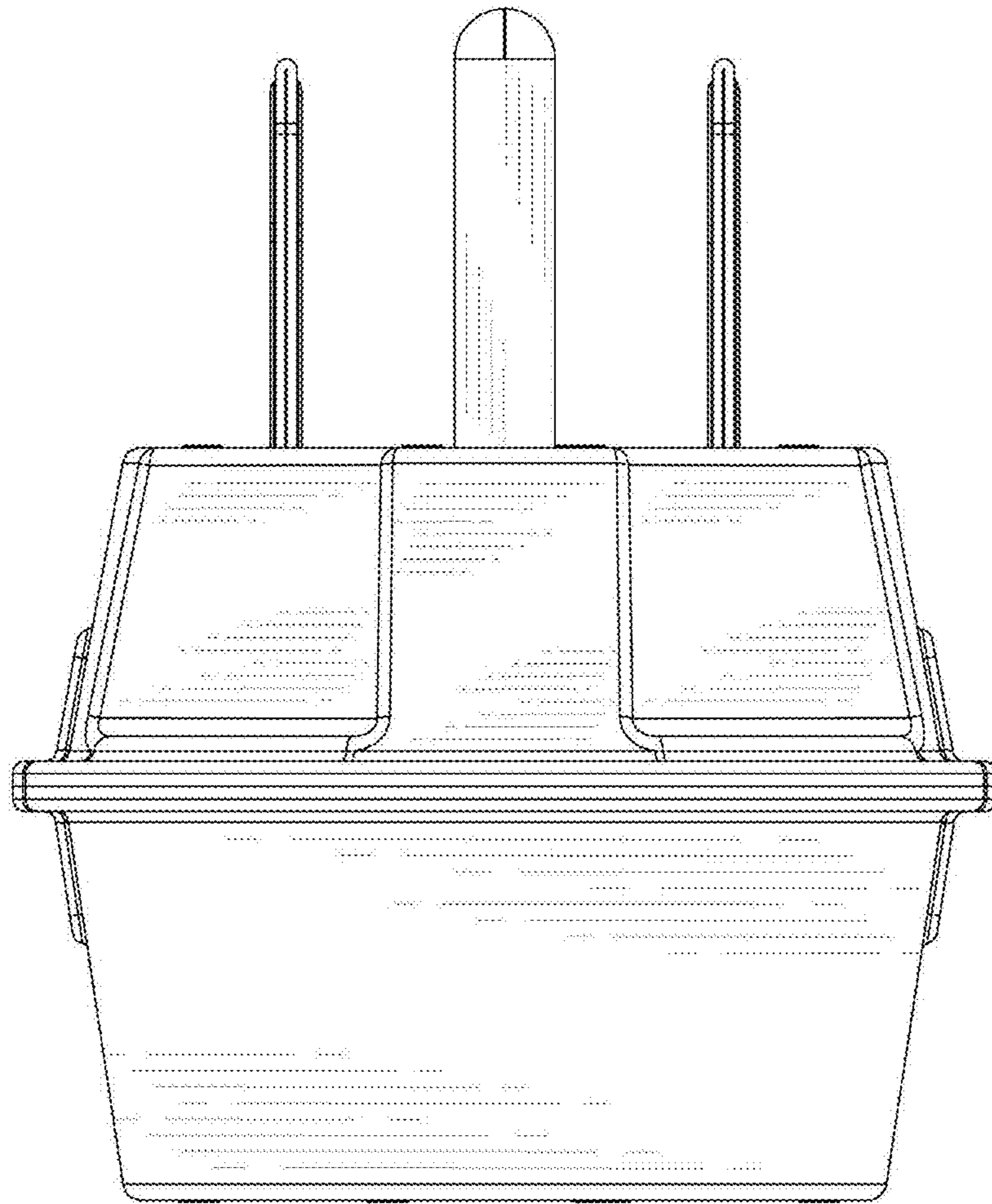


FIG. 14

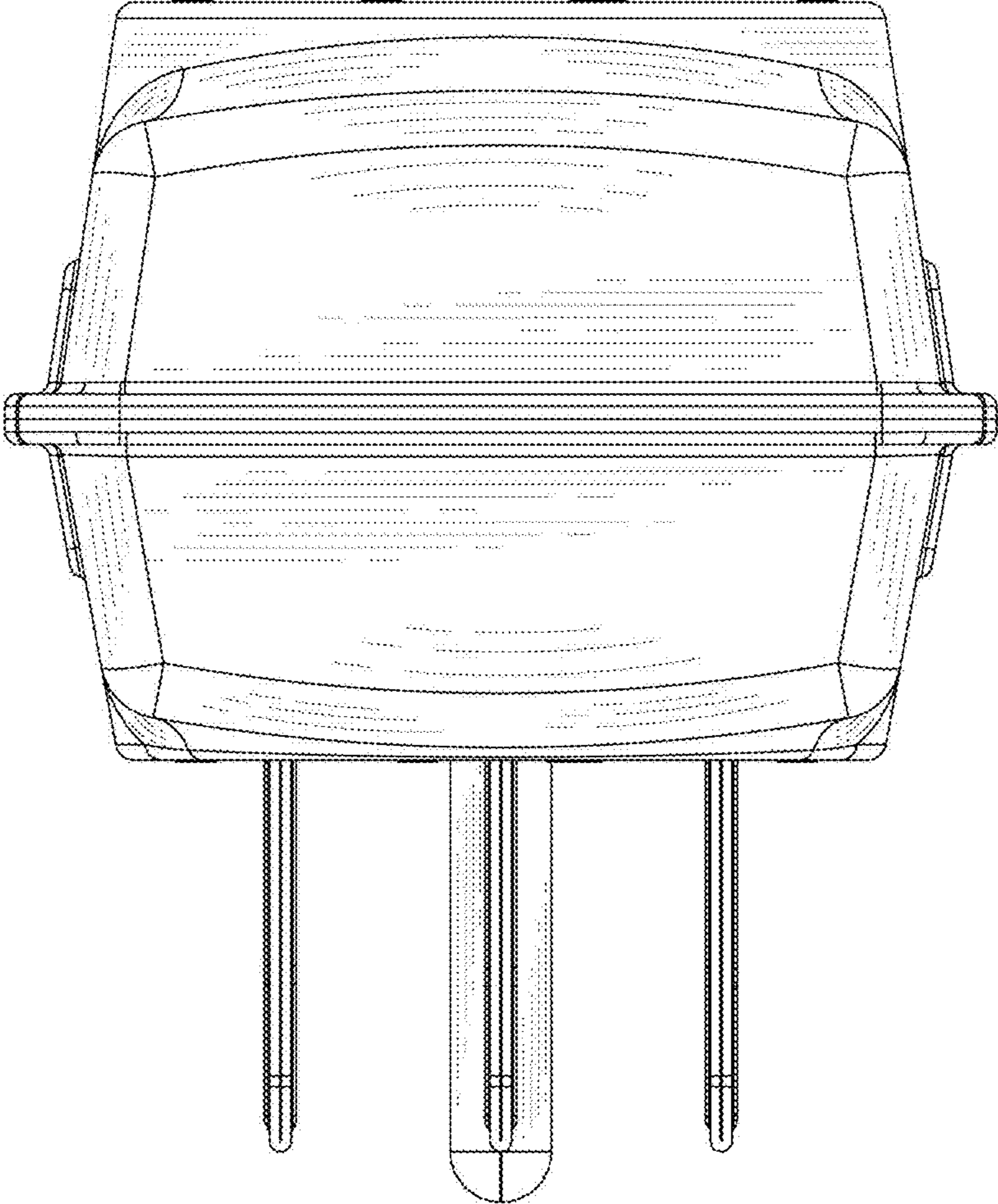


FIG. 15