



US00D943526S

(12) **United States Design Patent**
Goto et al.

(10) **Patent No.:** **US D943,526 S**

(45) **Date of Patent:** **** Feb. 15, 2022**

(54) **CONVERTER**

(71) Applicant: **Mitsubishi Electric Corporation,**
Tokyo (JP)

(72) Inventors: **Daisuke Goto,** Tokyo (JP); **Yoshitomo Hayashi,** Tokyo (JP); **Yusuke Ono,** Tokyo (JP); **Takeshi Obara,** Tokyo (JP)

(73) Assignee: **Mitsubishi Electric Corporation,**
Tokyo (JP)

(**) Term: **15 Years**

(21) Appl. No.: **29/743,816**

(22) Filed: **Jul. 24, 2020**

(30) **Foreign Application Priority Data**

Apr. 21, 2020 (JP) 2020-008182 D

(51) **LOC (13) Cl.** **13-02**

(52) **U.S. Cl.**
USPC **D13/110**

(58) **Field of Classification Search**
USPC D13/110, 101, 123, 158, 162, 164, 184,
D13/199; D15/149
CPC H02M 7/00; H02M 7/02; H02M 7/003;
H05K 5/00; H05K 5/02; H05K 5/03;
H05K 5/0017; H05K 7/00; H05K 7/1427;
H05K 7/20918

See application file for complete search history.

(56) **References Cited**

U.S. PATENT DOCUMENTS

4,620,263 A *	10/1986	Ito	H05K 7/20918 361/690
D358,753 S *	5/1995	Yoshida	D13/123
D494,132 S *	8/2004	Song	D13/110
D504,662 S *	5/2005	Person	D13/110
D541,744 S *	5/2007	Violainen	D13/110
D563,316 S *	3/2008	Higuchi	D13/110
2010/0247301 A1 *	9/2010	Hatozaki	H05K 7/20918 415/182.1

* cited by examiner

Primary Examiner — Derrick E Holland

(74) *Attorney, Agent, or Firm* — Stuebaker & Brackett
PC

(57) **CLAIM**

The ornamental design for a converter, as shown and described.

DESCRIPTION

FIG. 1. is a front perspective view of the front, right, and top sides of a converter showing our new design;
FIG. 2. is a rear perspective view of the rear, left, and bottom sides thereof;
FIG. 3. is a front view thereof;
FIG. 4. is a rear view thereof;
FIG. 5. is a top plan view thereof;
FIG. 6. is a bottom plan view thereof;
FIG. 7. is a right side view thereof; and,
FIG. 8. is a left side view thereof.

1 Claim, 8 Drawing Sheets

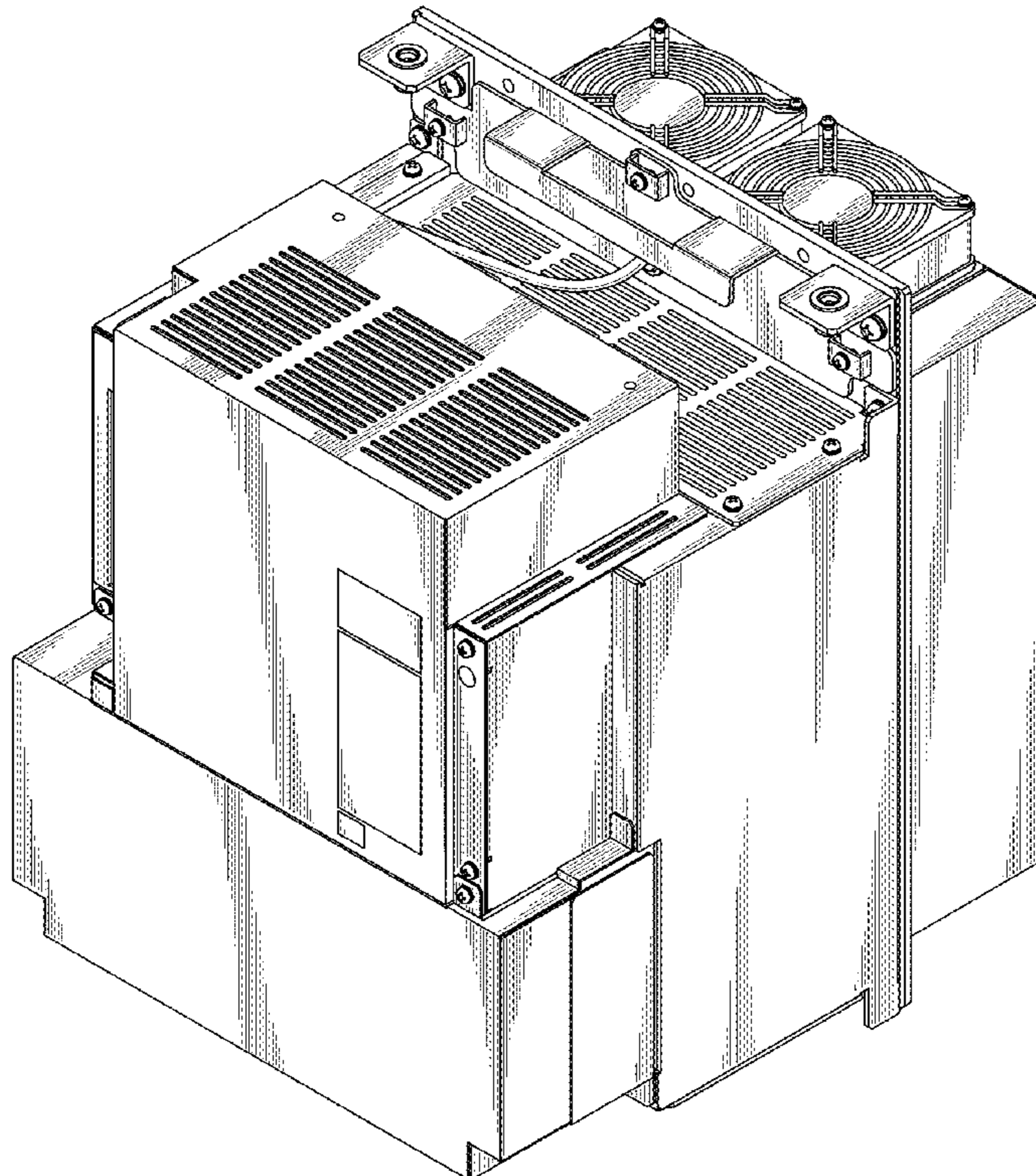


FIG. 1

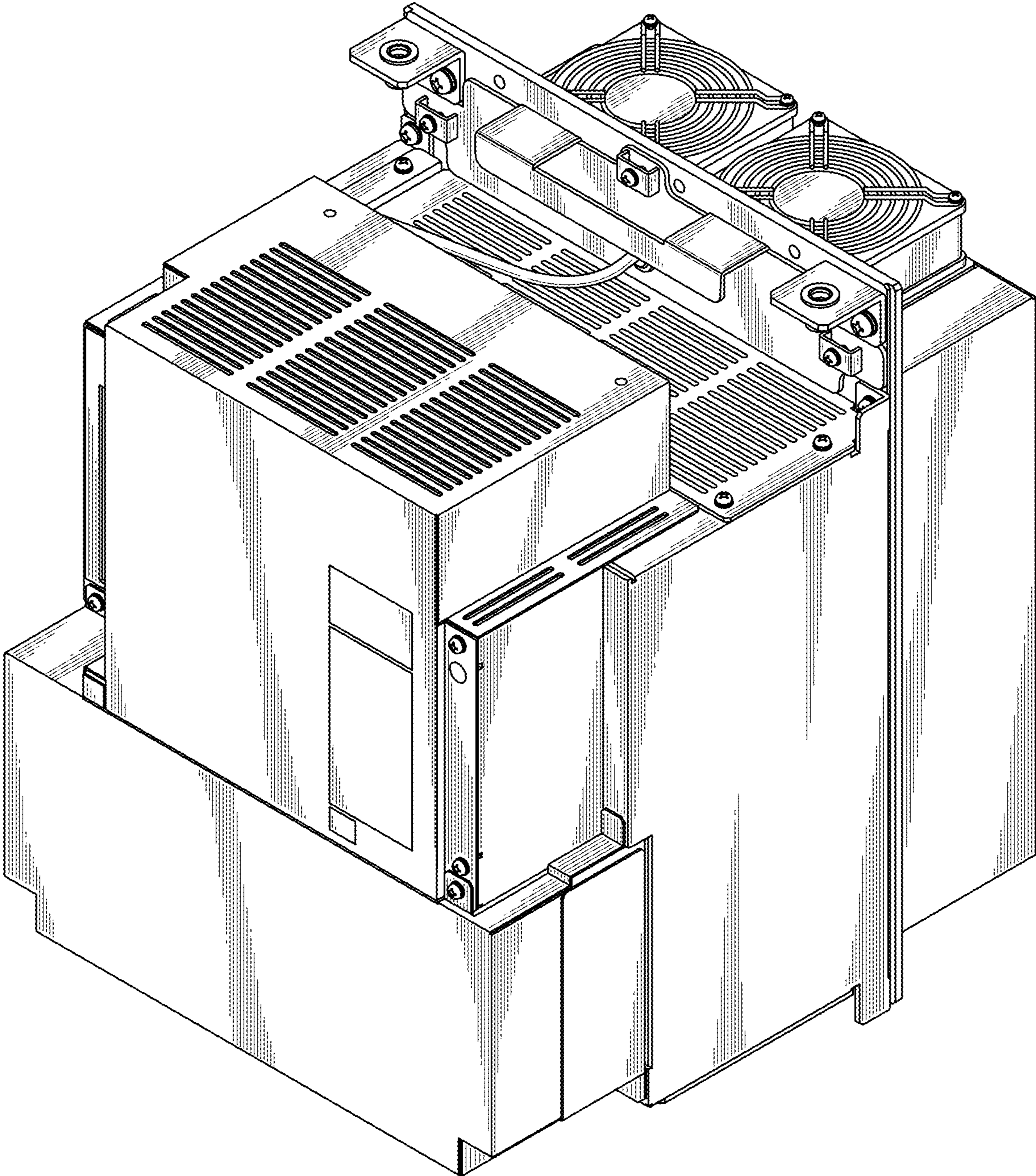


FIG. 2

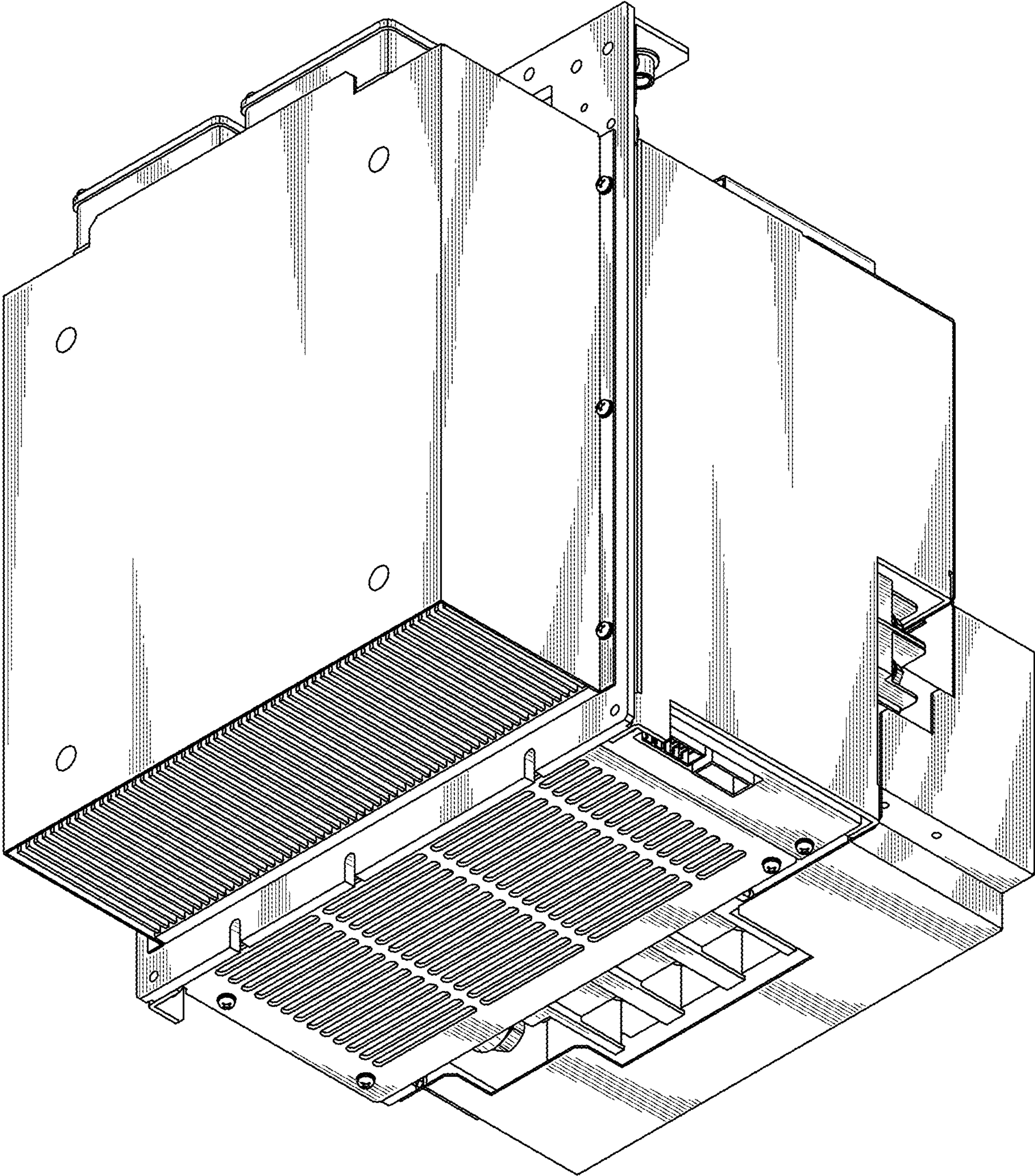


FIG. 3

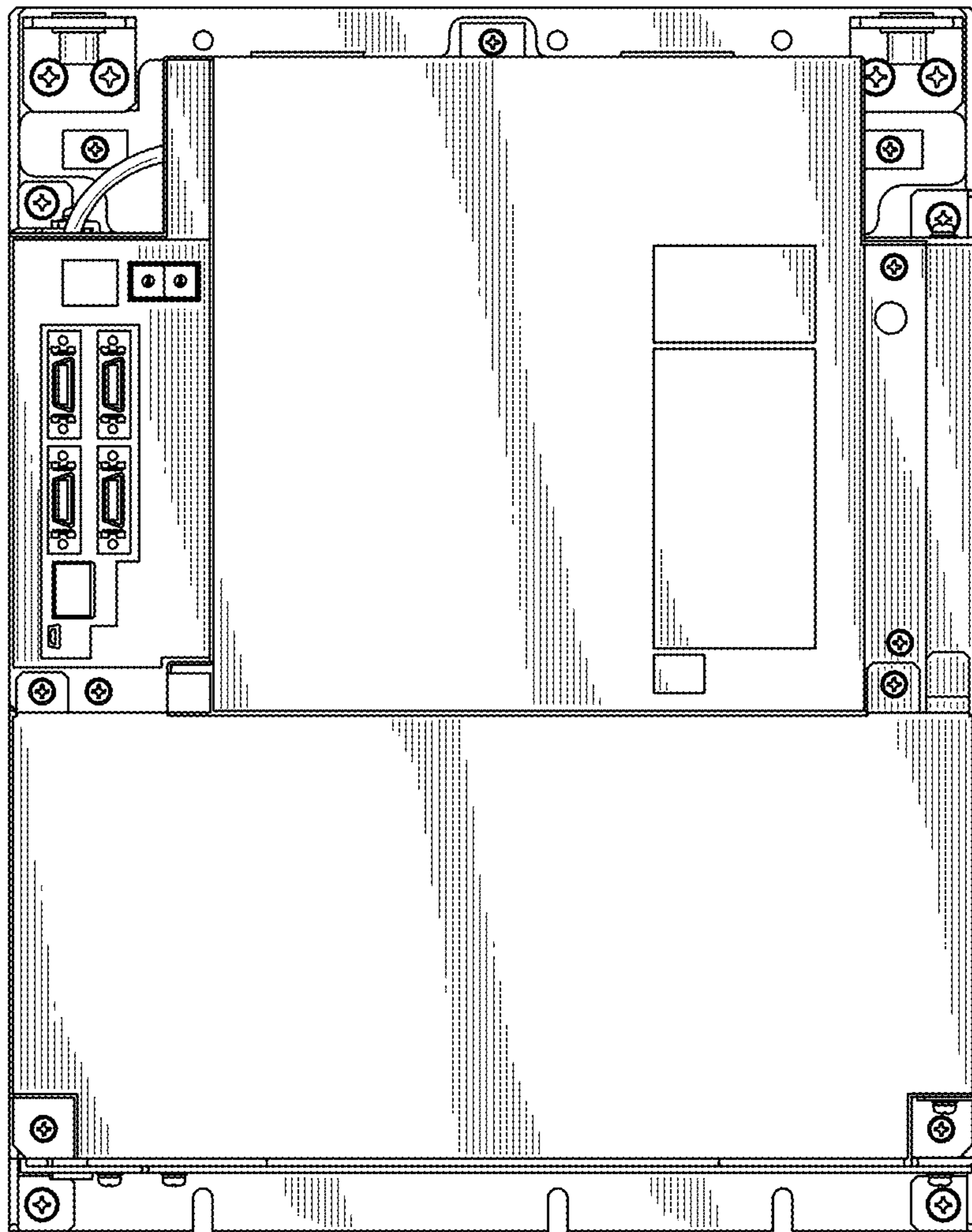


FIG. 4

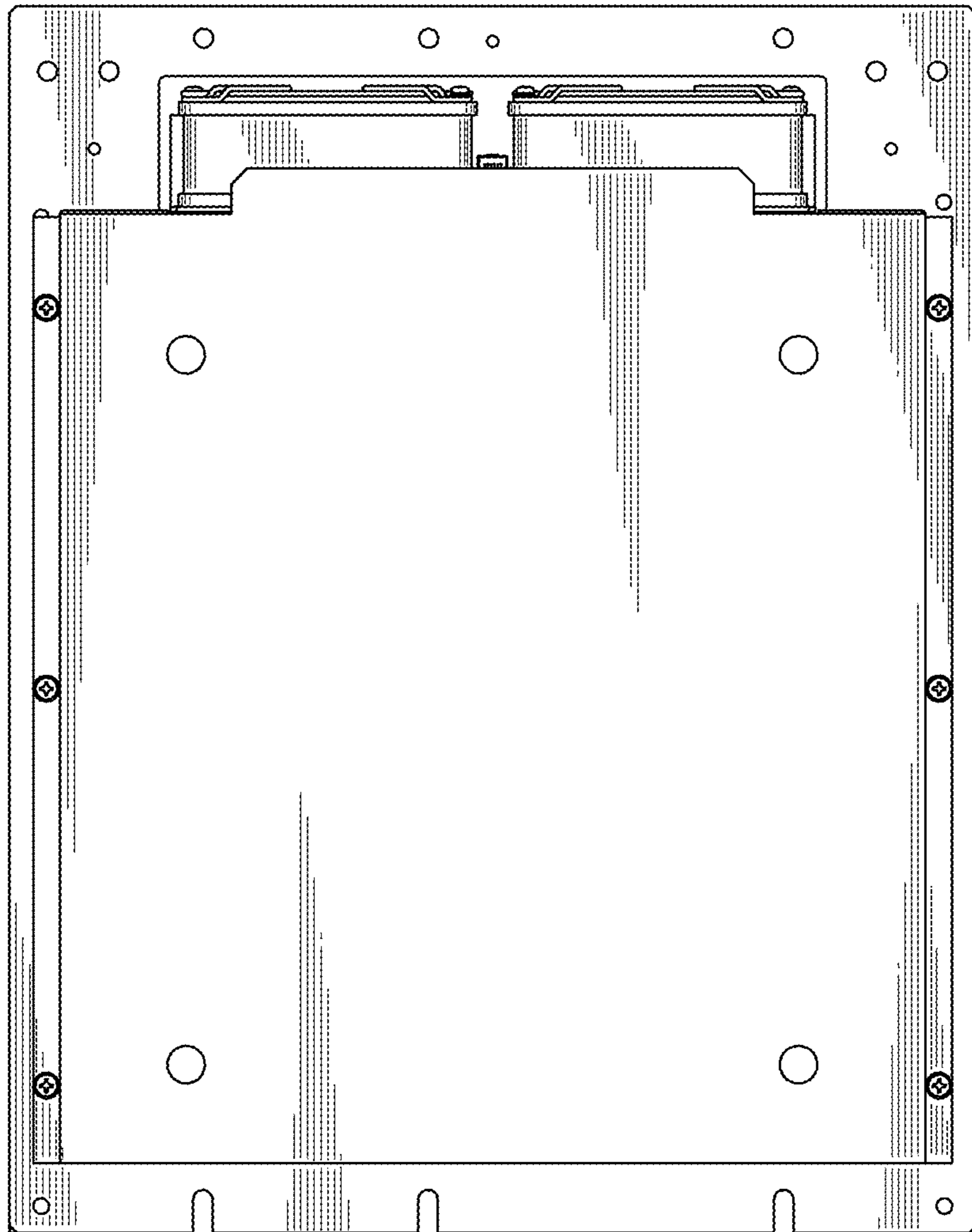


FIG. 5

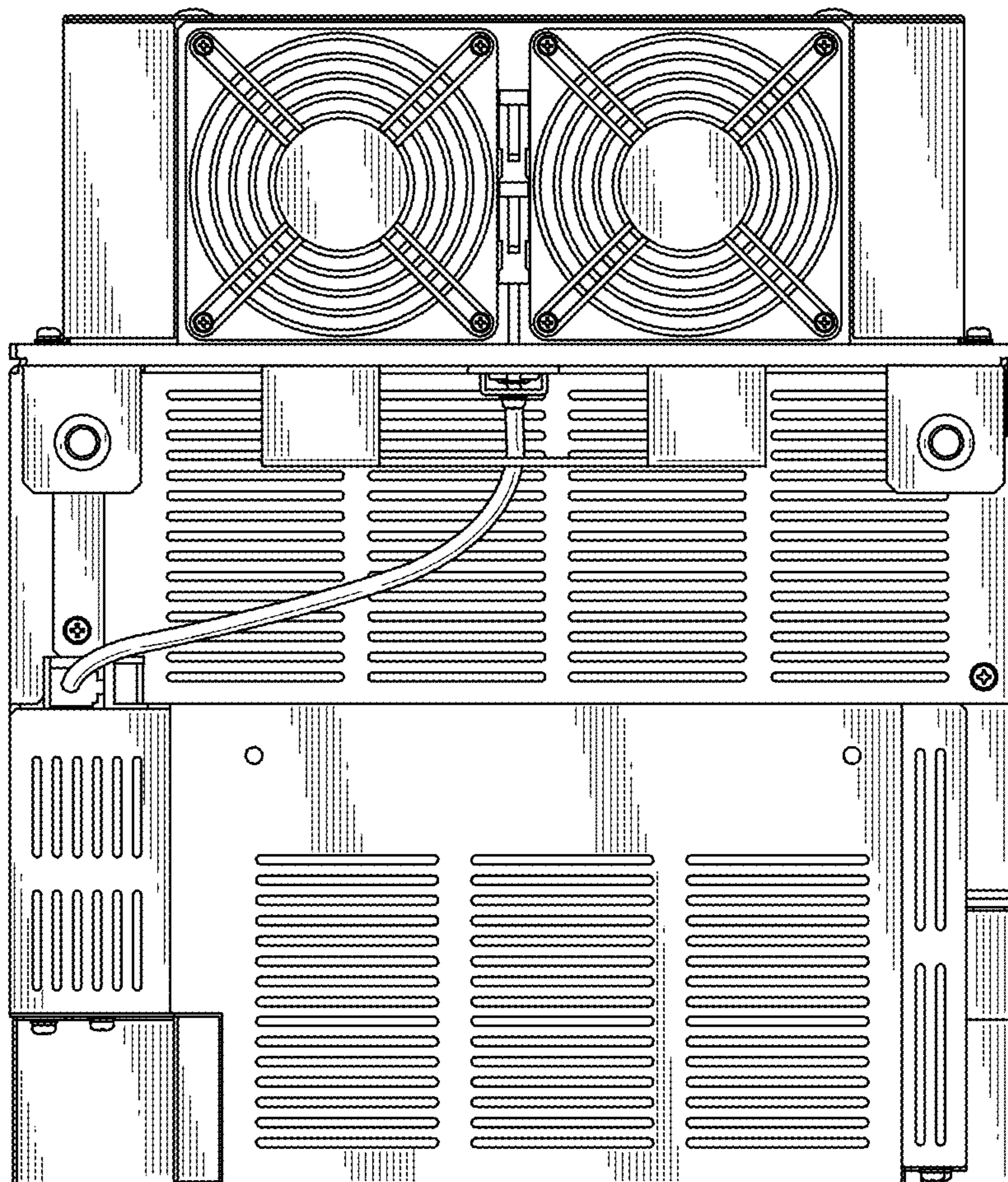


FIG. 6

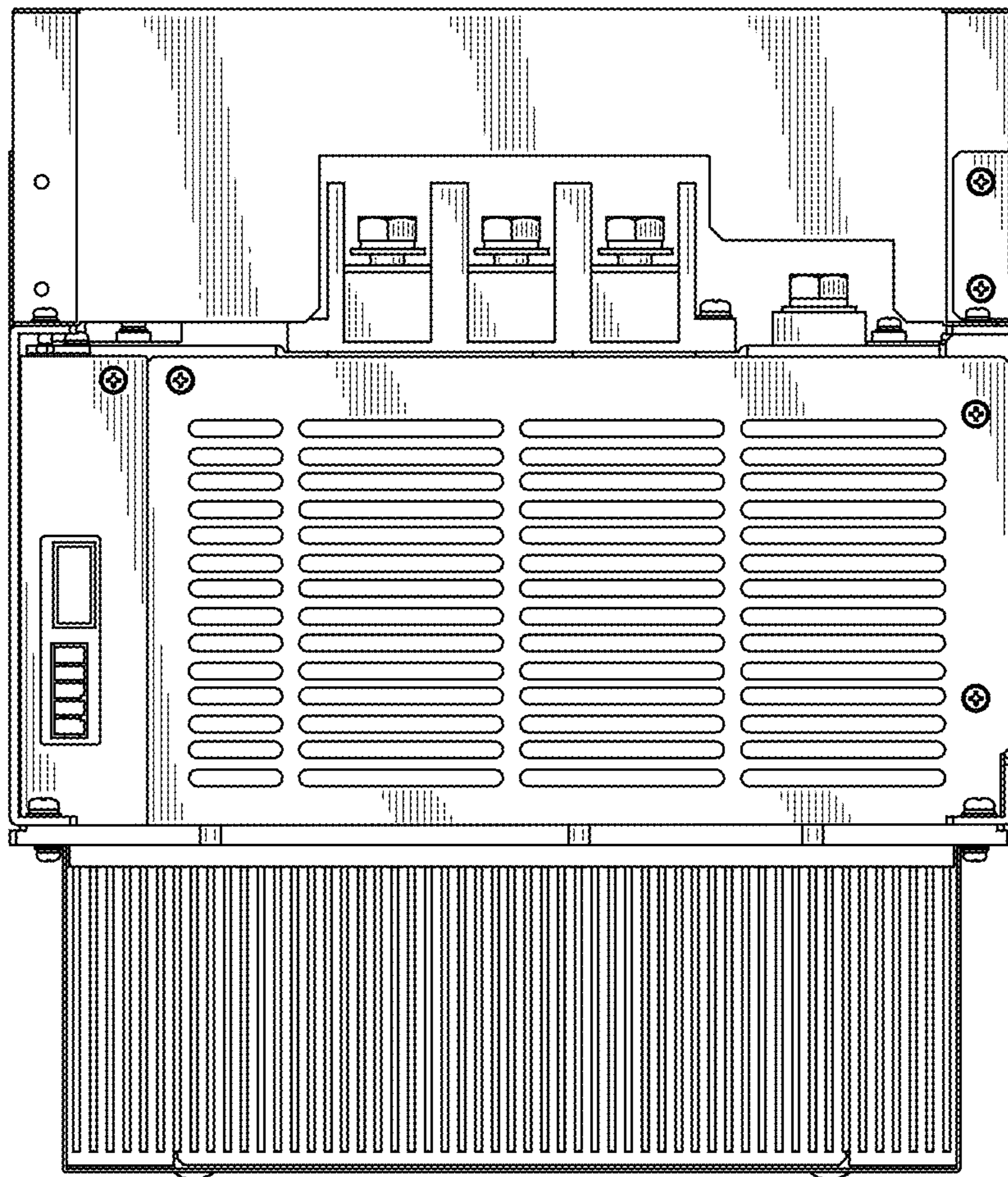


FIG. 7

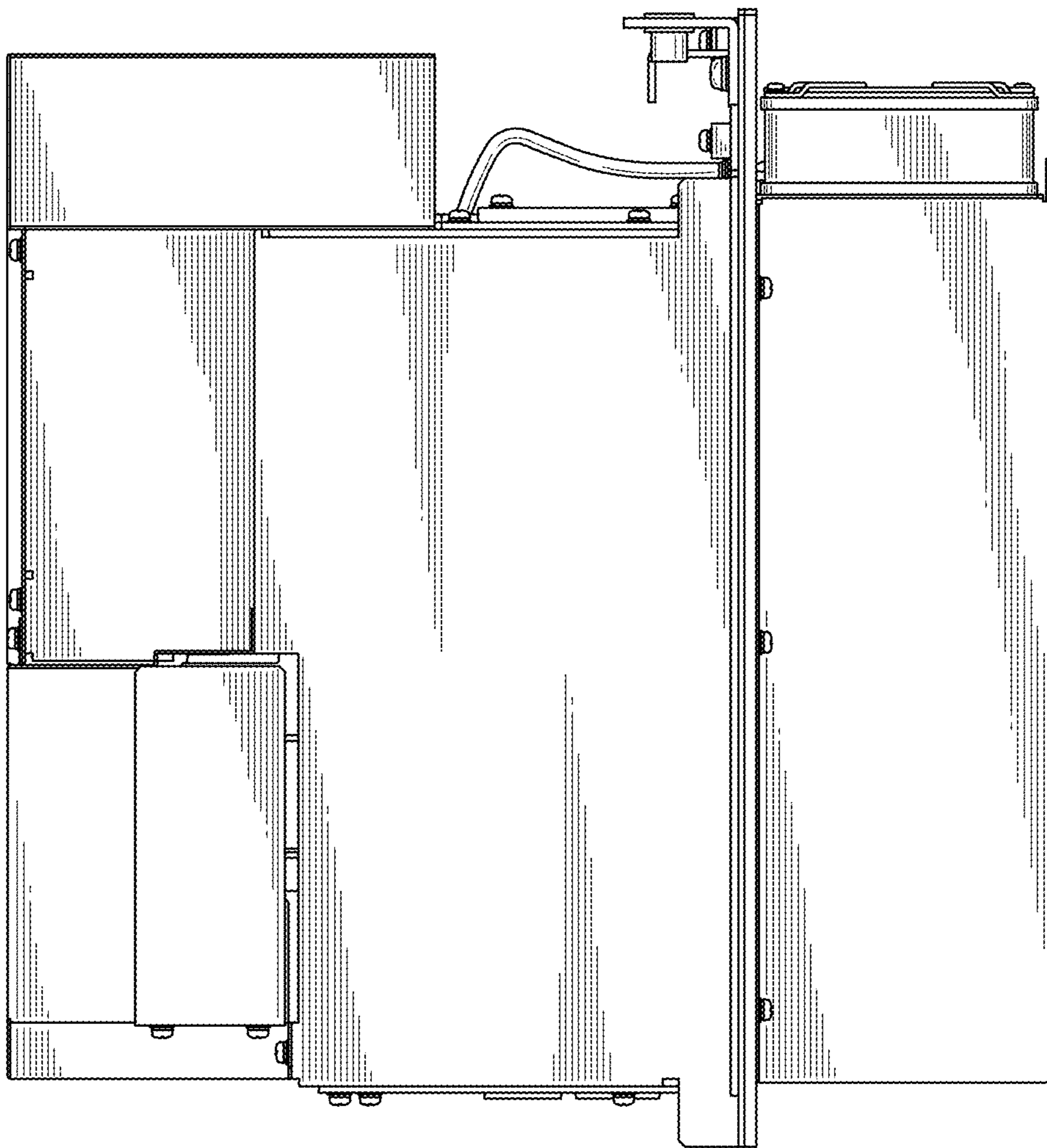


FIG. 8

