



US00D943524S

(12) **United States Design Patent**
Zheng

(10) **Patent No.:** **US D943,524 S**

(45) **Date of Patent:** **** Feb. 15, 2022**

(54) **COMBINED WIRELESS CHARGER AND CUP WARMER**

(71) Applicant: **Guisheng Zheng**, Chaozhou (CN)

(72) Inventor: **Guisheng Zheng**, Chaozhou (CN)

(**) Term: **15 Years**

(21) Appl. No.: **29/782,716**

(22) Filed: **May 8, 2021**

(51) **LOC (13) Cl.** **13-02**

(52) **U.S. Cl.**
USPC **D13/108**

(58) **Field of Classification Search**
USPC D13/107, 109–110, 118–121, 184, 199,
D13/108; D14/251, 253, 432, 434, 447;
D7/362, 367

CPC H02J 7/025; H02J 7/0026; H02J 7/0042;
H02J 7/0044; H02J 7/0045; H02J 7/0047;
H02J 7/0013; H02J 7/0003; H02J 50/10;
H02J 50/12; F24C 15/10; F24C 15/102;
F24C 15/105

See application file for complete search history.

(56) **References Cited**

U.S. PATENT DOCUMENTS

D497,768 S	11/2004	Since et al.	
D635,394 S *	4/2011	Brattoli	D7/367
D718,236 S *	11/2014	Murray	D13/108
D738,303 S *	9/2015	Symons	D13/108
D749,504 S *	2/2016	Jeong	D13/108
D772,813 S *	11/2016	Wahl	D13/108
D774,455 S *	12/2016	Kim	D13/108
D782,973 S *	4/2017	Zhou	D13/108
D784,259 S *	4/2017	Huang	D13/108
D786,193 S *	5/2017	Akana	D13/108
D794,557 S *	8/2017	Kim	D13/108
D795,182 S *	8/2017	Akana	D13/108
D797,042 S *	9/2017	Miller	D13/107
D810,015 S *	2/2018	Carreon	D13/108

D810,680 S *	2/2018	Carreon	D13/108
D825,549 S *	8/2018	Lebovitz	D14/253
D832,264 S *	10/2018	Kim	D14/434
D850,367 S *	6/2019	Xiong	D13/108
D850,372 S *	6/2019	Kong	D13/108

(Continued)

FOREIGN PATENT DOCUMENTS

GB 6134436 * 4/2021

OTHER PUBLICATIONS

“Hurkins Smug, up to 149° F. coffee Mug warmer & Mug & pctg Lid set, self heated cup with wireless charging function, office/home for desk”, Amazon.com, first available on Dec. 17, 2020. Retrieved from the internet: <<https://www.amazon.com/hurkins-coffee-wireless-charging-function/dp/B08QTX5ZH> P/>. (Year: 2020).*

(Continued)

Primary Examiner — Rosemary K Tarcza

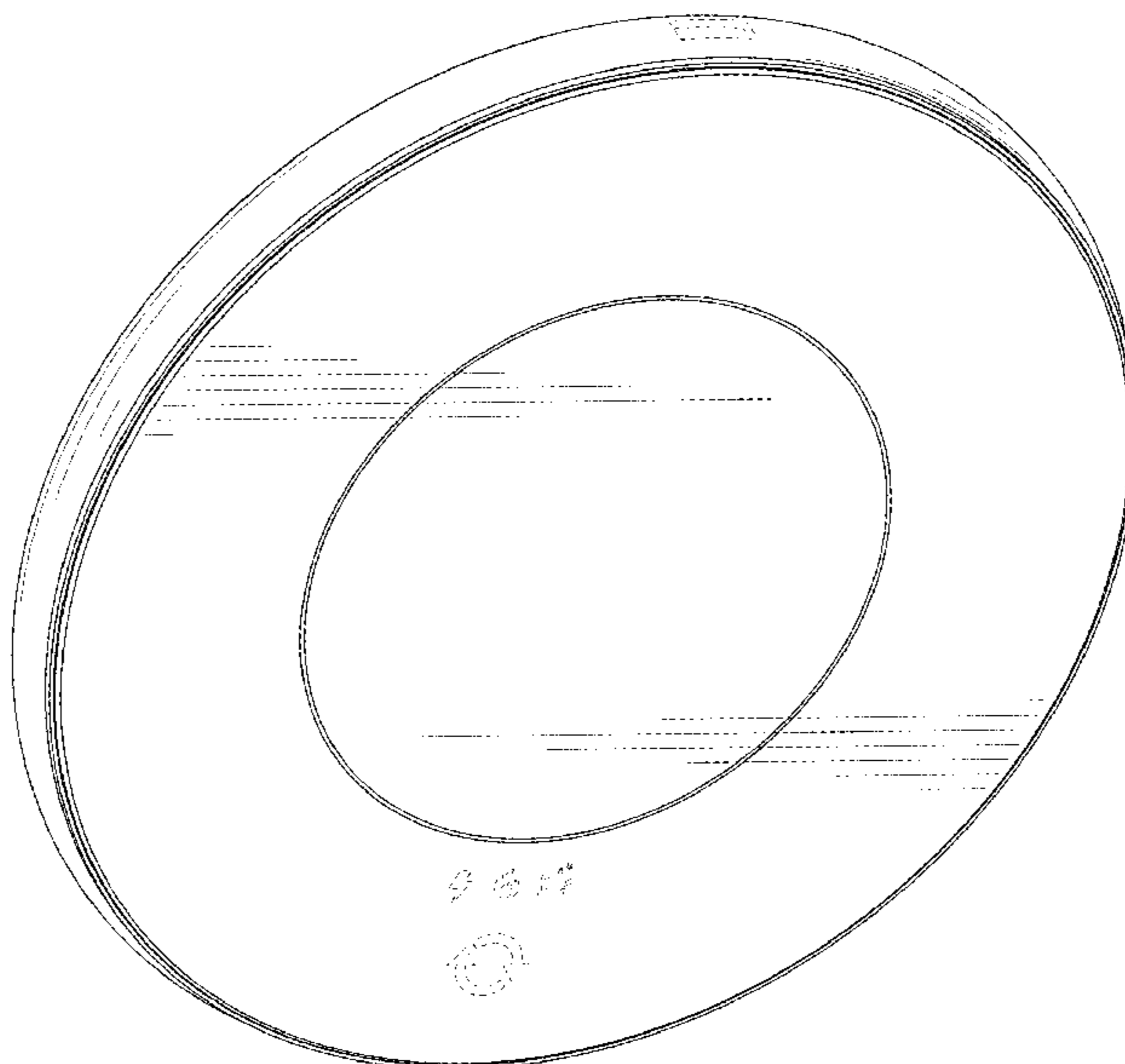
(57) **CLAIM**

The ornamental design for a combined wireless charger and cup warmer, as shown and described.

DESCRIPTION

FIG. 1 is a perspective view of a combined wireless charger and cup warmer showing my new design; FIG. 2 is another perspective view thereof; FIG. 3 is a front elevational view thereof; FIG. 4 is a rear elevational view thereof; FIG. 5 is a left side elevational view thereof; FIG. 6 is a right side elevational view thereof; FIG. 7 is a top plan view thereof; and, FIG. 8 is a bottom plan view thereof. The broken lines in the drawings depict portions of the combined wireless charger and cup warmer that form no part of the claimed design.

1 Claim, 8 Drawing Sheets



(56)

References Cited

U.S. PATENT DOCUMENTS

D855,567 S * 8/2019 Cai D13/108
 D859,307 S * 9/2019 Campos D13/108
 D860,936 S * 9/2019 Jia D13/108
 D861,602 S * 10/2019 Feng D13/108
 D869,391 S * 12/2019 Roberts D13/108
 D872,015 S * 1/2020 Choi D13/108
 D875,041 S 2/2020 Chen et al.
 D875,678 S * 2/2020 Kim D13/108
 D894,122 S * 8/2020 Ye D13/108
 D895,543 S * 9/2020 Akana D13/108
 D897,954 S * 10/2020 Wei D13/108
 D897,956 S * 10/2020 Yang D13/108
 D900,027 S * 10/2020 Reilly D13/108
 D900,735 S * 11/2020 He D13/108
 D901,379 S * 11/2020 Choi D13/108
 D904,981 S * 12/2020 Worthy D13/110
 D906,958 S * 1/2021 Fitzgerald D13/108
 D908,620 S * 1/2021 Akana D13/108
 D911,276 S * 2/2021 Li D13/108
 D911,765 S * 3/2021 Jiang D7/367
 D913,222 S * 3/2021 Albay D13/108
 D918,135 S * 5/2021 Akana D13/108

D918,137 S * 5/2021 Painter D13/108
 D918,142 S * 5/2021 Smith D13/118
 2015/0013660 A1* 1/2015 Holzinger F24C 7/083
 126/213
 2020/0059114 A1* 2/2020 Langlois H02J 50/10
 2020/0083726 A1* 3/2020 Kim H02J 7/0044
 2021/0050748 A1* 2/2021 Wei H02J 50/70

OTHER PUBLICATIONS

“Coffee Mug with Warmer Set, Intelligent Temperature Control 131° F. Coffee Cup Warmer Setting with Wireless Charger, Great Gift for Hot Drink Lover”, Amazon.com, first available on Jul. 14, 2020. Retrieved from the internet: <<https://www.amazon.com/iwoxs-Intelligent-Temperature-MAINTAIN-TEMPERATURE/dp/B08CXD4LHL/>>.*
 “UniqueMax Coffee Mug Warmer, Warmer Mugs, 14 oz, Wireless Charging, Cup Warmer, Temperature Mug for Office and Home Use to keeps Coffee And Tea Warm, Heated Coffee Mug.”, Amazon.com, first available on Jan. 1, 2020. Retrieved from the internet: <<https://www.amazon.com/UniqueMax-Warmer-Wireless-Charging-Temperature/dp/B0833WB64D/>>. (Year: 2020).*

* cited by examiner

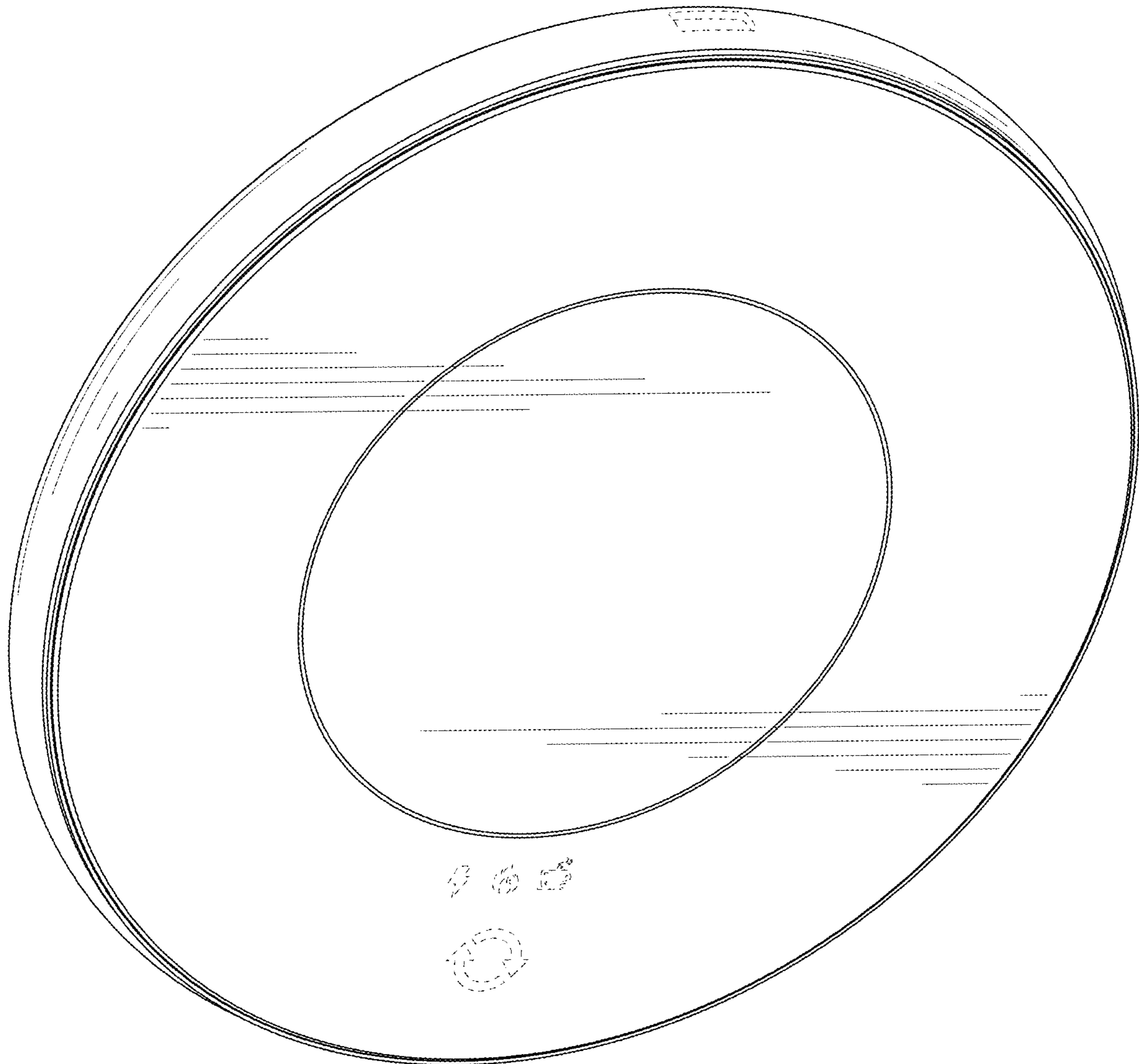


FIG. 1

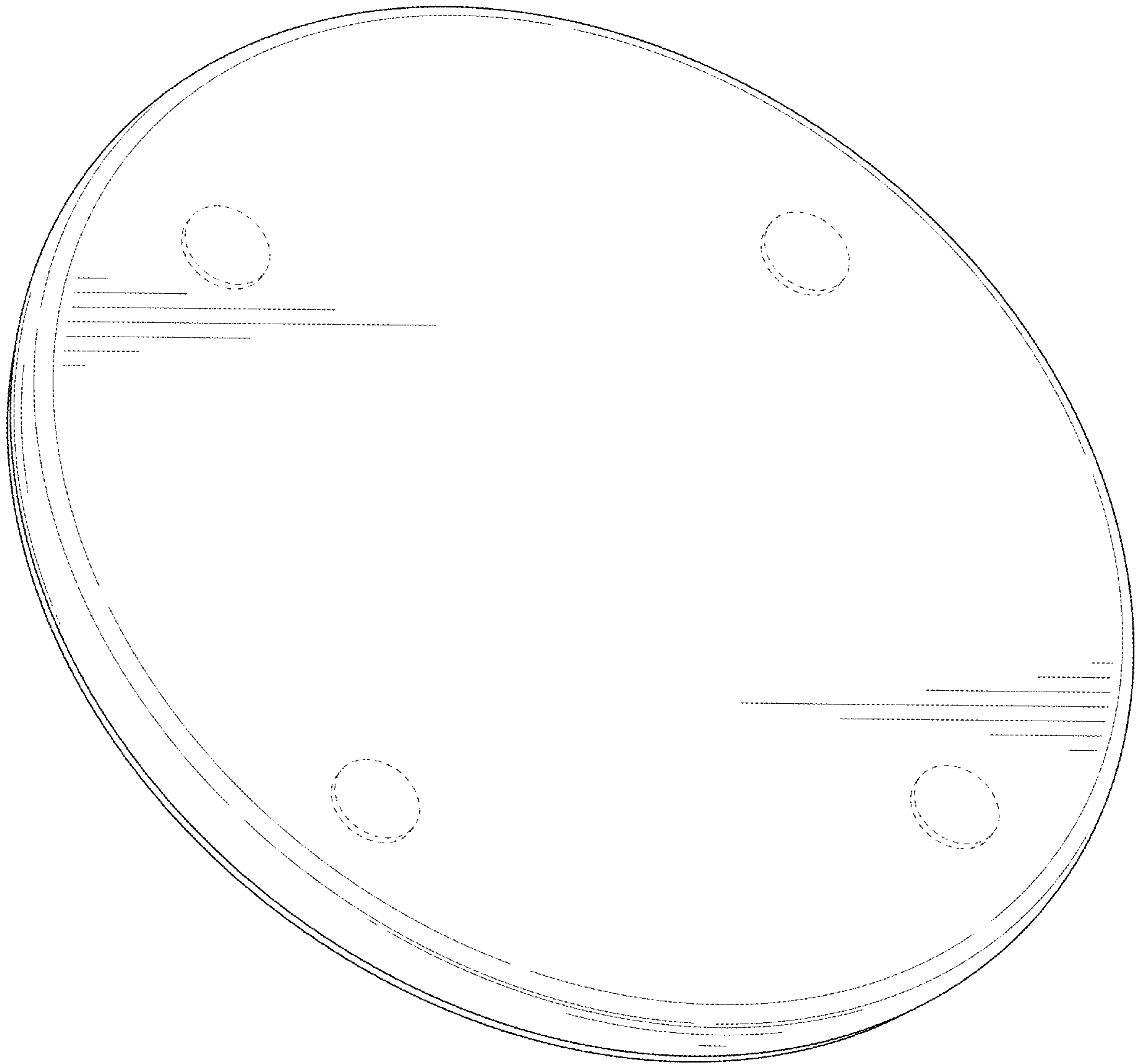


FIG. 2

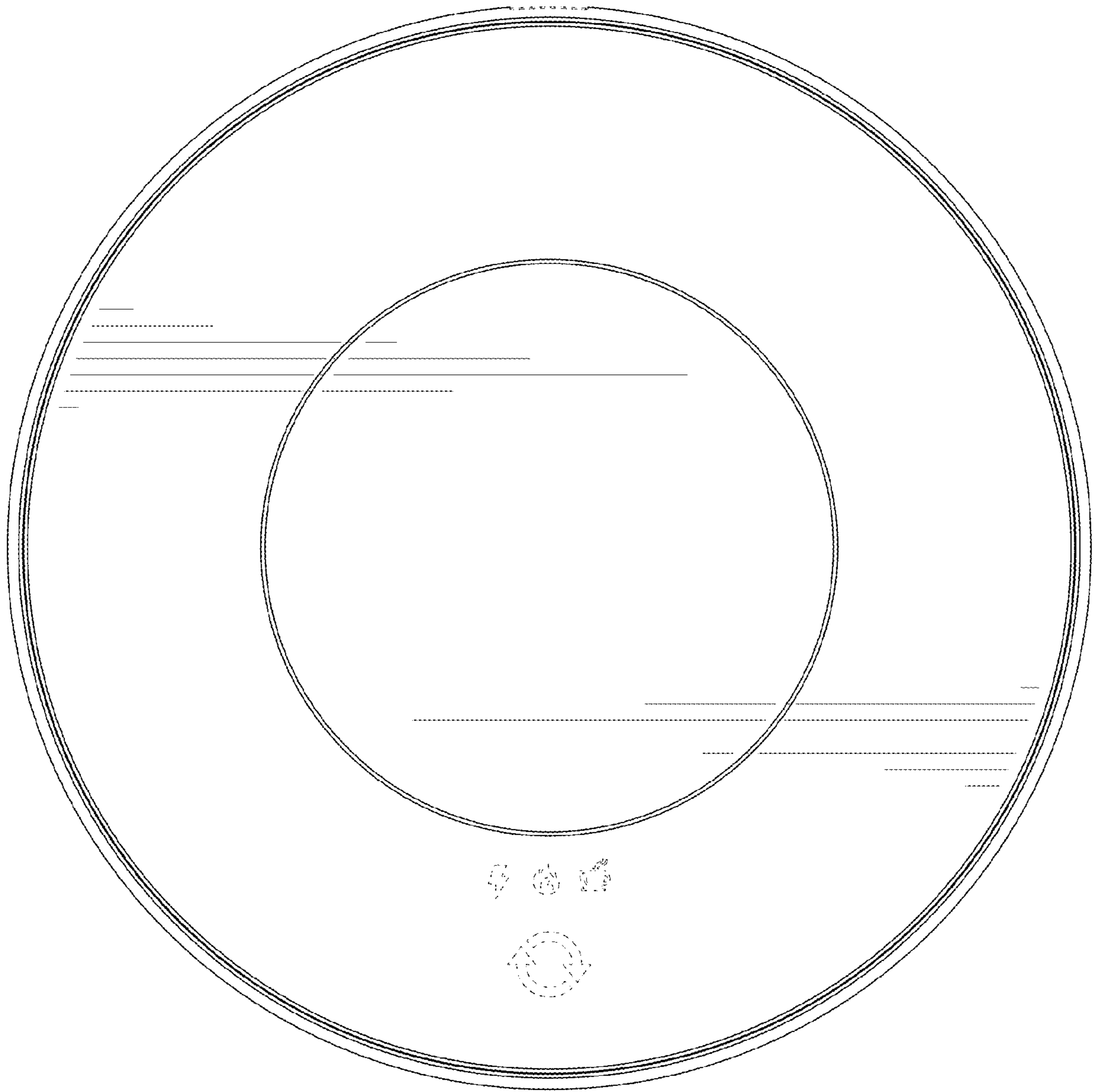


FIG. 3

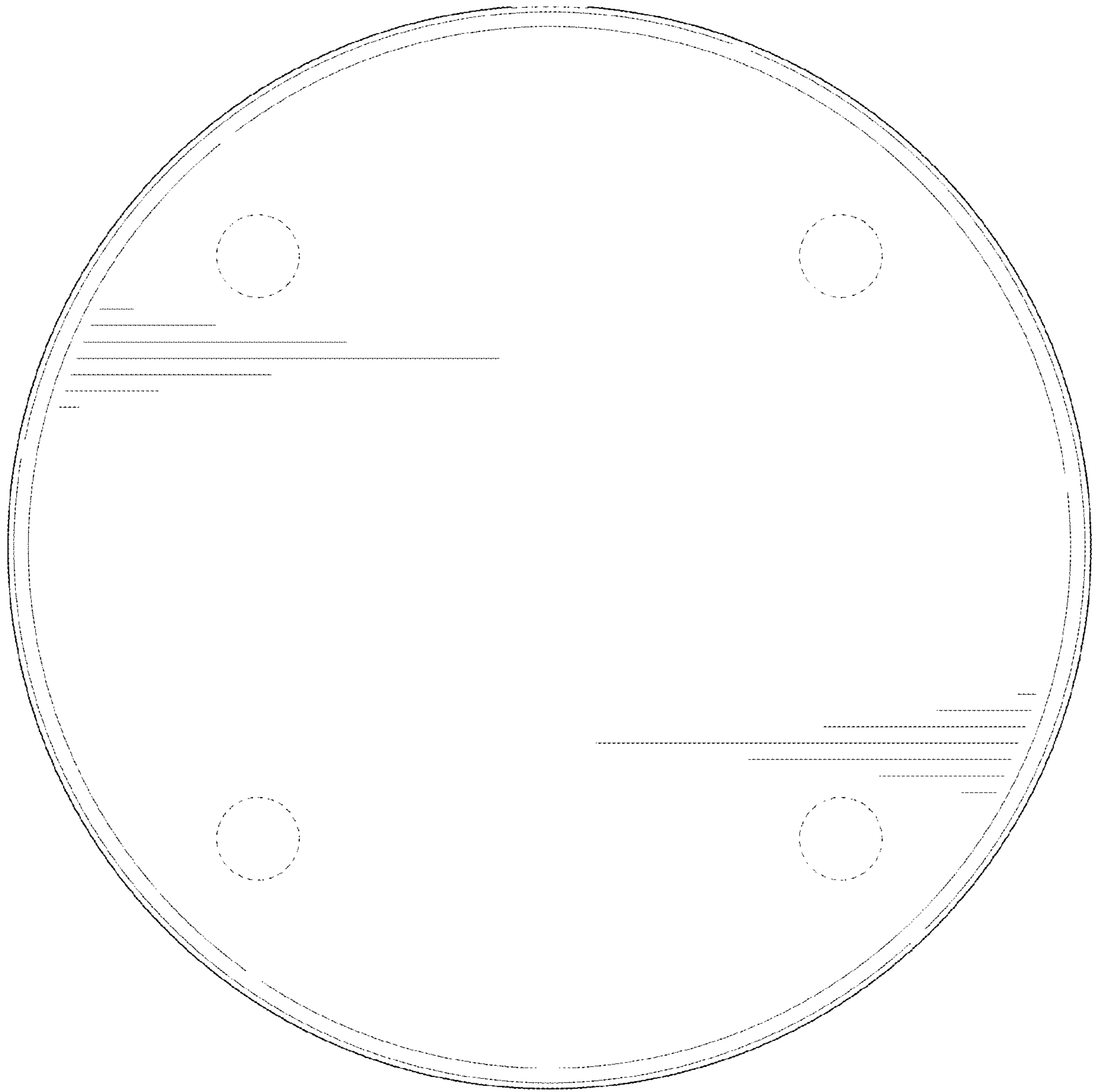


FIG. 4

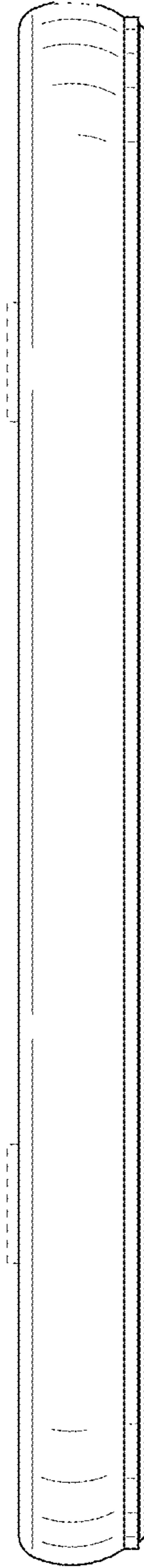


FIG. 5

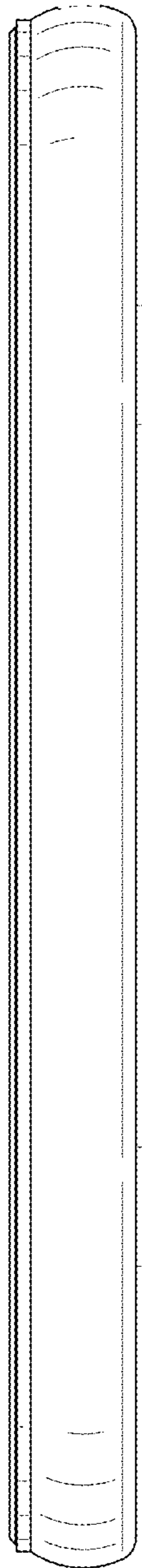


FIG. 6

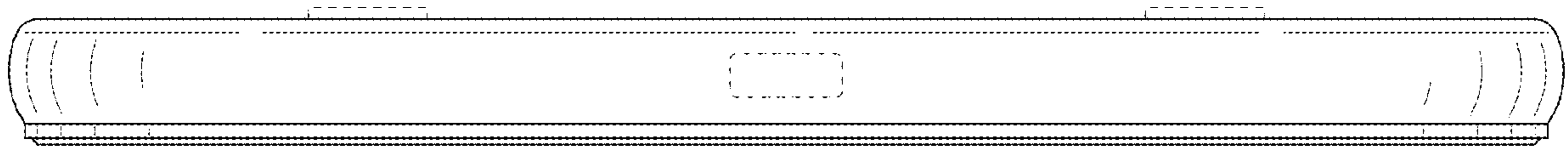


FIG. 7

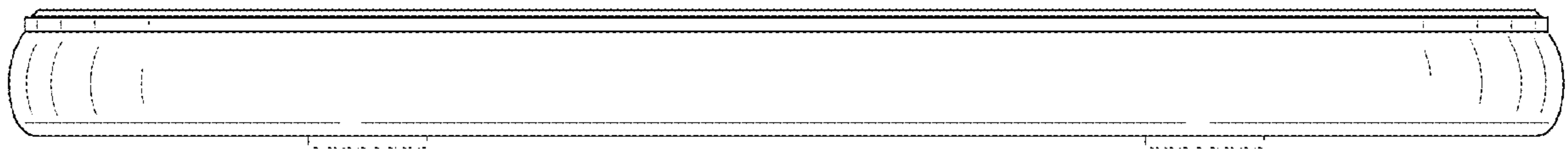


FIG. 8