



US00D943522S

(12) **United States Design Patent**
Feng et al.

(10) **Patent No.:** **US D943,522 S**

(45) **Date of Patent:** **** Feb. 15, 2022**

(54) **BASE FOR WIRELESS CHARGING**

(56) **References Cited**

(71) Applicant: **LUXSHARE PRECISION
INDUSTRY CO., LTD.**, Shenzhen
(CN)

(72) Inventors: **Yun Feng**, Hong Kong (CN); **Guoqin
Huang**, Hong Kong (CN); **Qijun Yin**,
Hong Kong (CN); **Xu Yao**, Hong Kong
(CN)

(73) Assignee: **LUXSHARE PRECISION
INDUSTRY CO., LTD.**, Shenzhen
(CN)

U.S. PATENT DOCUMENTS

D611,408 S *	3/2010	Ferber	D13/108
D682,199 S *	5/2013	Rautiainen	D13/108
D736,706 S *	8/2015	Huang	D13/108
D812,556 S *	3/2018	Xu	D13/103
D826,151 S *	8/2018	Akana	D13/108
D847,741 S *	5/2019	Hu	D13/108
D856,926 S *	8/2019	Yoon	D13/108
D870,658 S *	12/2019	Woo	D13/108
D883,202 S *	5/2020	Edwards	D13/108
D883,921 S *	5/2020	Ryu	D13/108
D888,661 S *	6/2020	Yoon	D13/108
D900,737 S *	11/2020	Hsu	D13/108
D935,450 S *	11/2021	Lee	D14/253

(**) Term: **15 Years**

* cited by examiner

(21) Appl. No.: **29/748,681**

Primary Examiner — Nathaniel D. Buckner

(22) Filed: **Aug. 31, 2020**

(74) *Attorney, Agent, or Firm* — Birch, Stewart, Kolasch
& Birch, LLP

(30) **Foreign Application Priority Data**

(57) **CLAIM**

Mar. 5, 2020 (CN) 202030070791.1

The ornamental design for a base for wireless charging, as
shown and described.

(51) **LOC (13) Cl.** **13-02**

DESCRIPTION

(52) **U.S. Cl.**

USPC **D13/108**

(58) **Field of Classification Search**

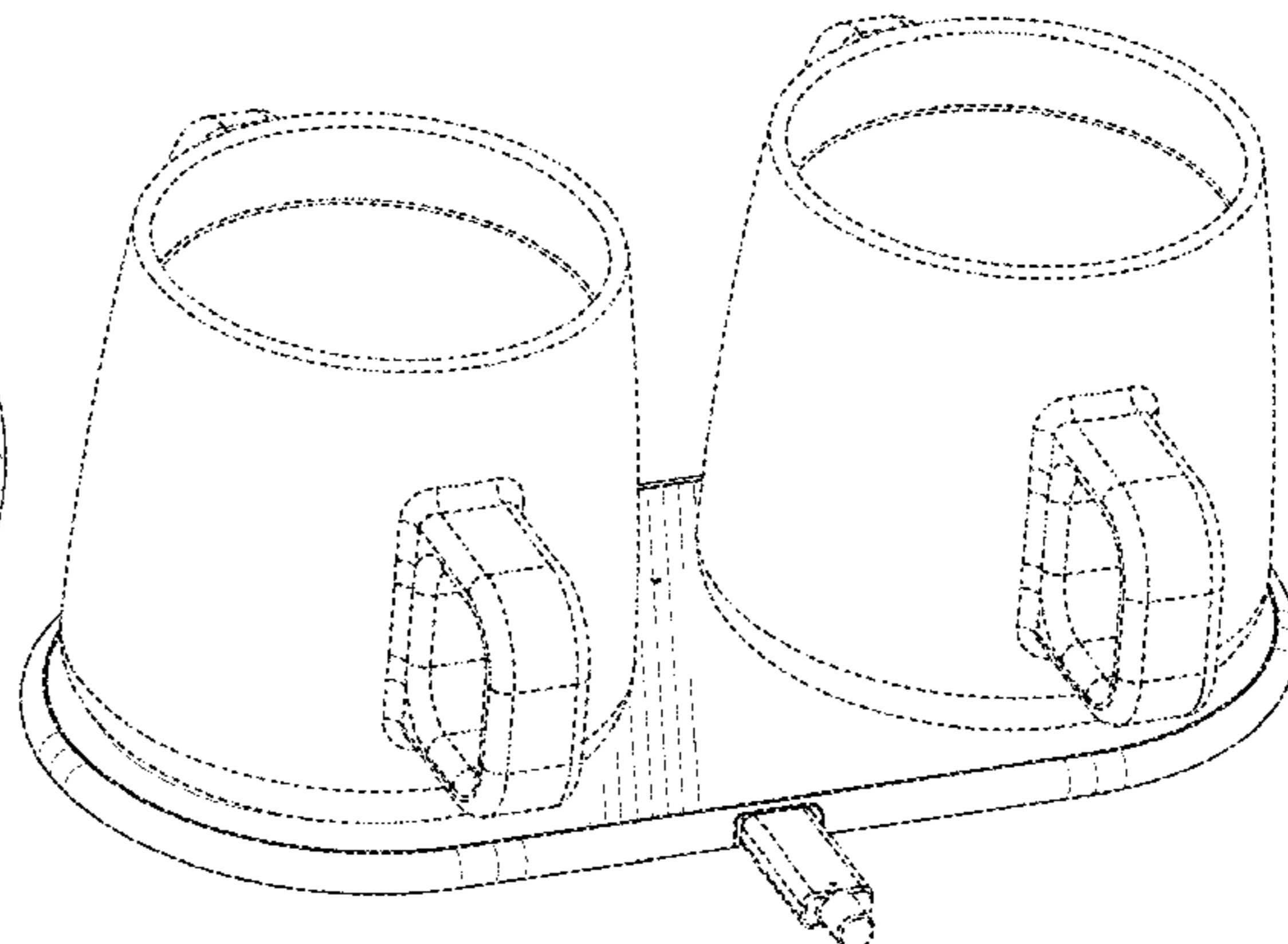
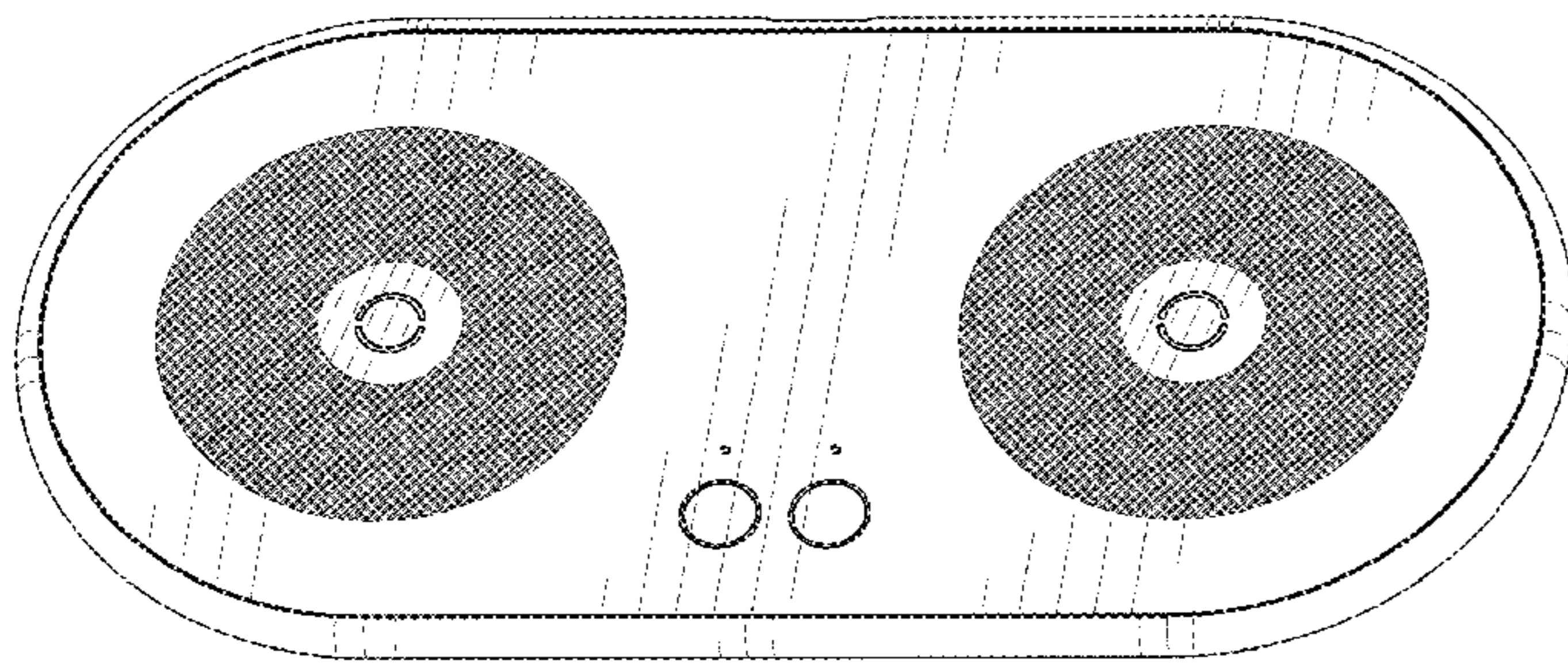
USPC D13/107–110, 118–119, 184; D14/251,
D14/253, 432, 434

CPC Y02E 60/12; Y02T 90/14; Y02T 90/122;
Y02T 90/128; Y02T 90/163; H02J 7/025;
H02J 7/0042; H02J 7/0044; H02J 7/0045;
H02J 7/0013; H02J 7/0003; H01F 38/14;
H01R 13/6675; H01M 2/1022; H01M
2/1055; H01M 10/44; H01M 10/46;
H01M 10/425; B60L 11/182

See application file for complete search history.

FIG. 1 is a top view of a base for wireless charging showing
my new design;
FIG. 2 is a bottom view thereof;
FIG. 3 is a left view thereof;
FIG. 4 is a right view thereof;
FIG. 5 is a front view thereof;
FIG. 6 is a rear view thereof;
FIG. 7 is a perspective view thereof; and,
FIG. 8 is a reference view in a using state thereof.
The broken lines shown in FIG. 8 depict unclaimed envi-
ronment and form no part of the claimed design.

1 Claim, 4 Drawing Sheets



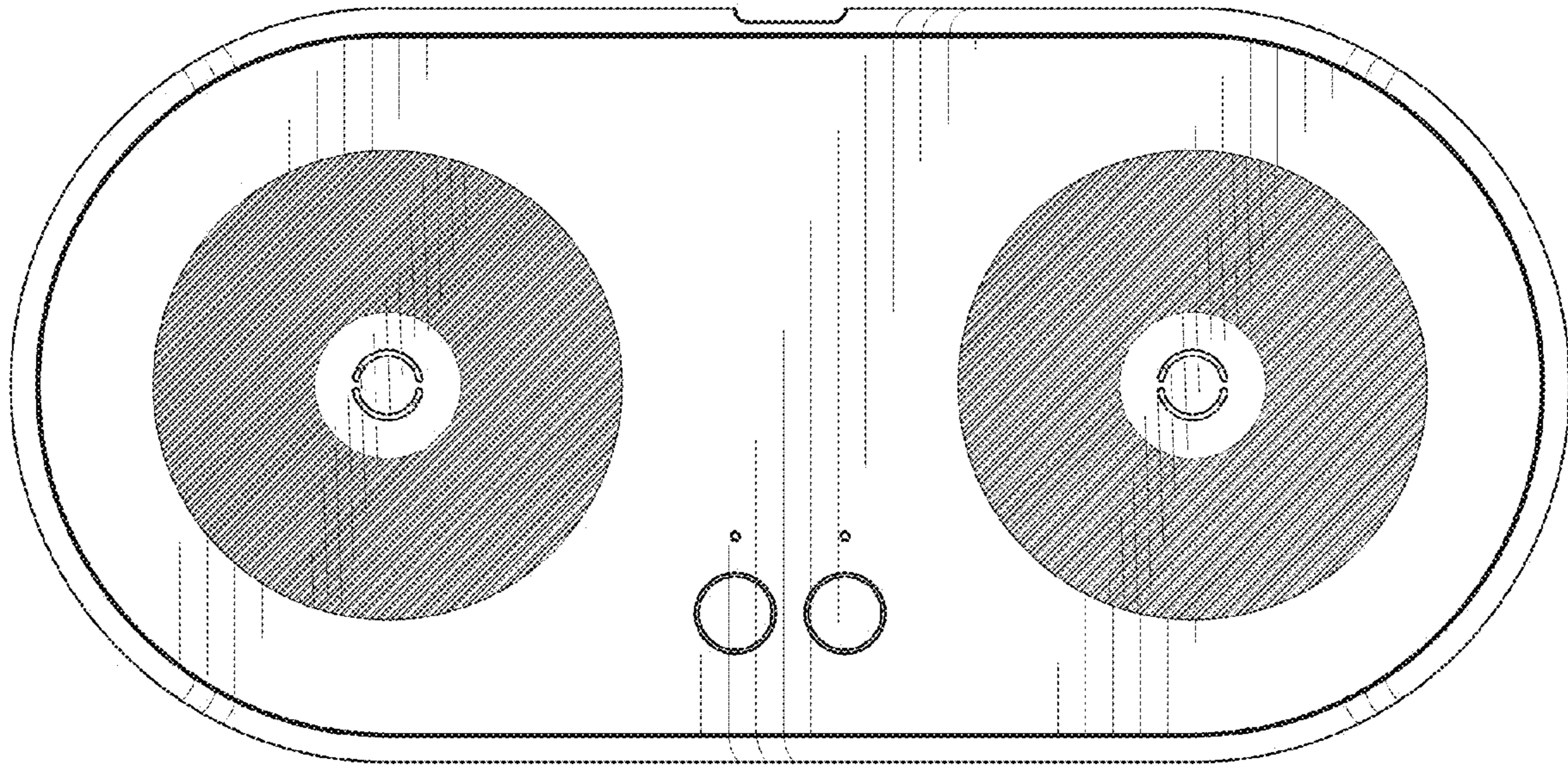


FIG. 1

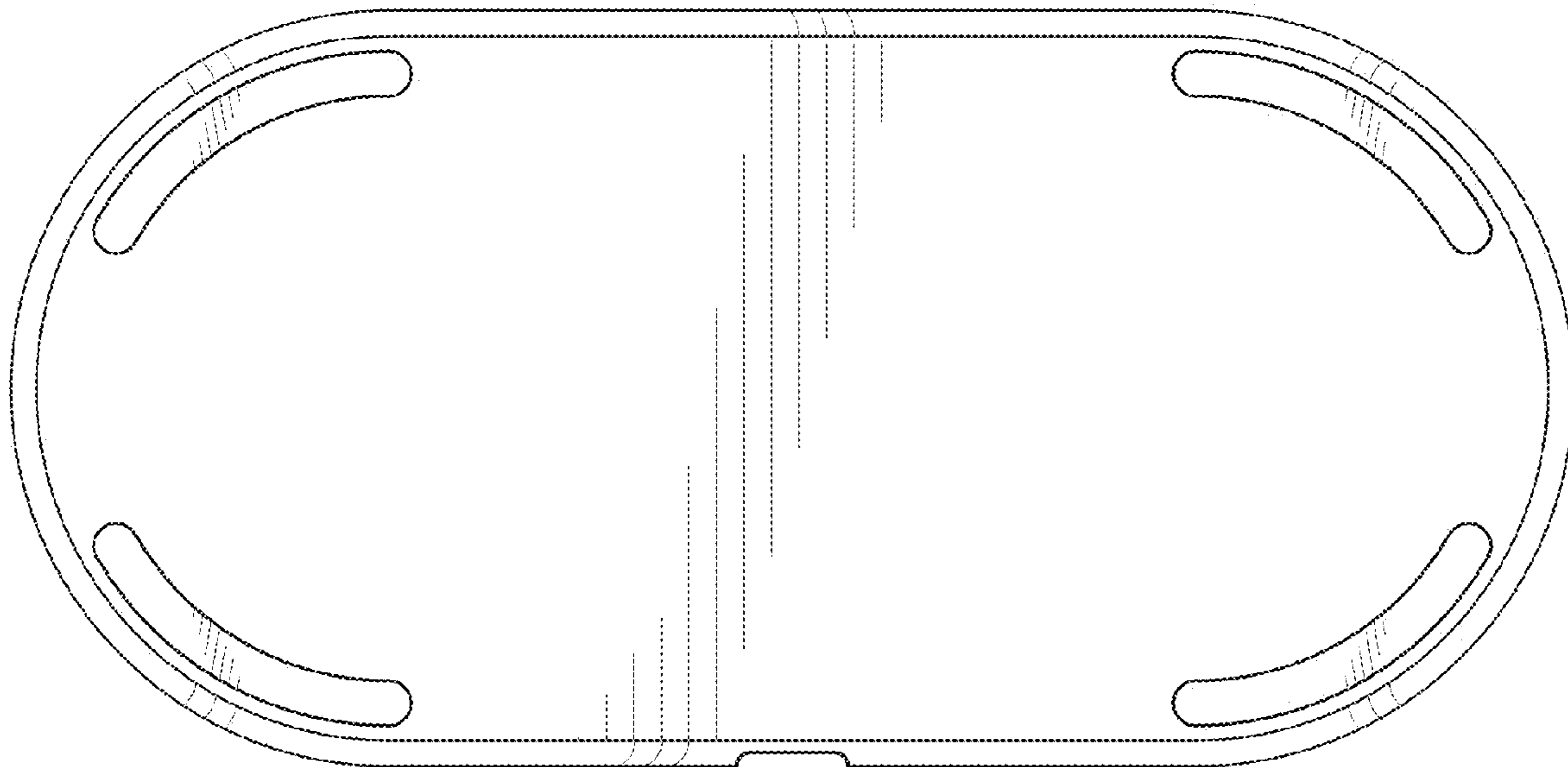


FIG. 2



FIG.3



FIG.4



FIG. 5



FIG. 6

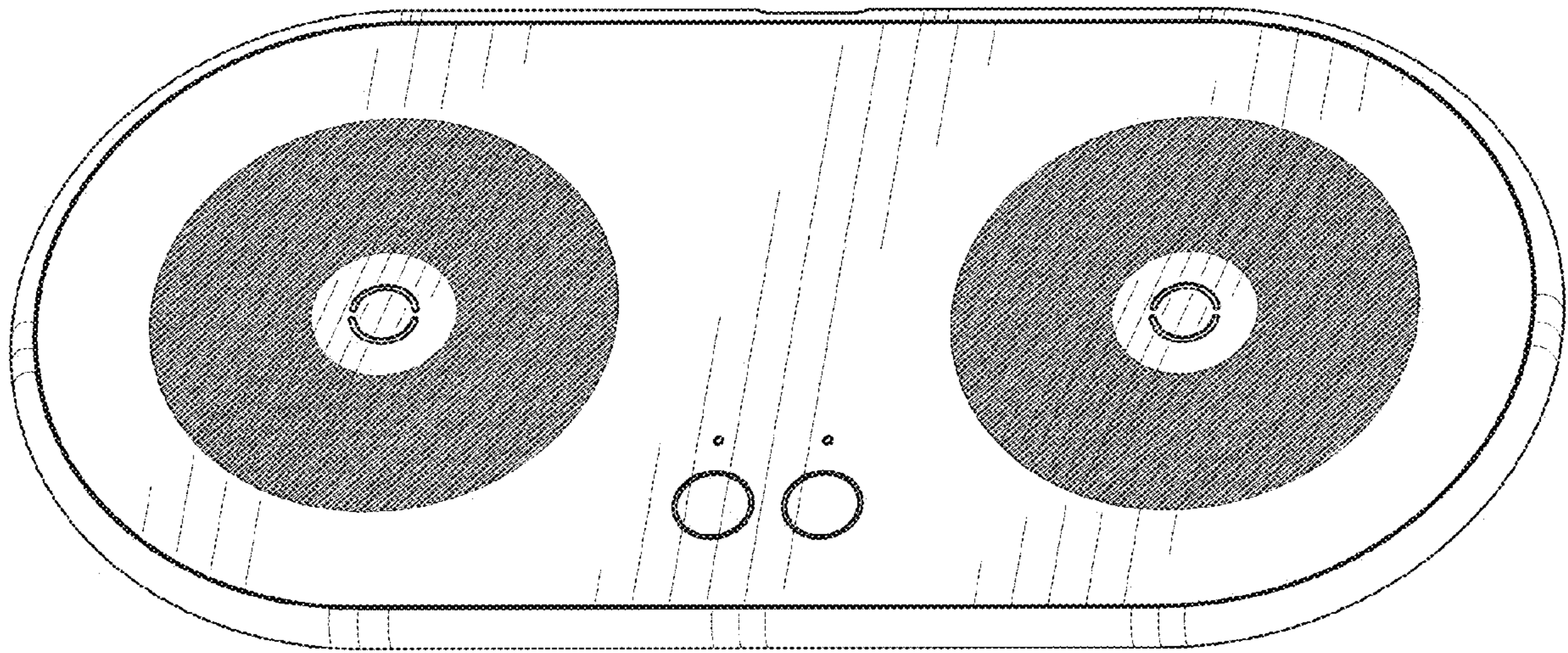


FIG. 7

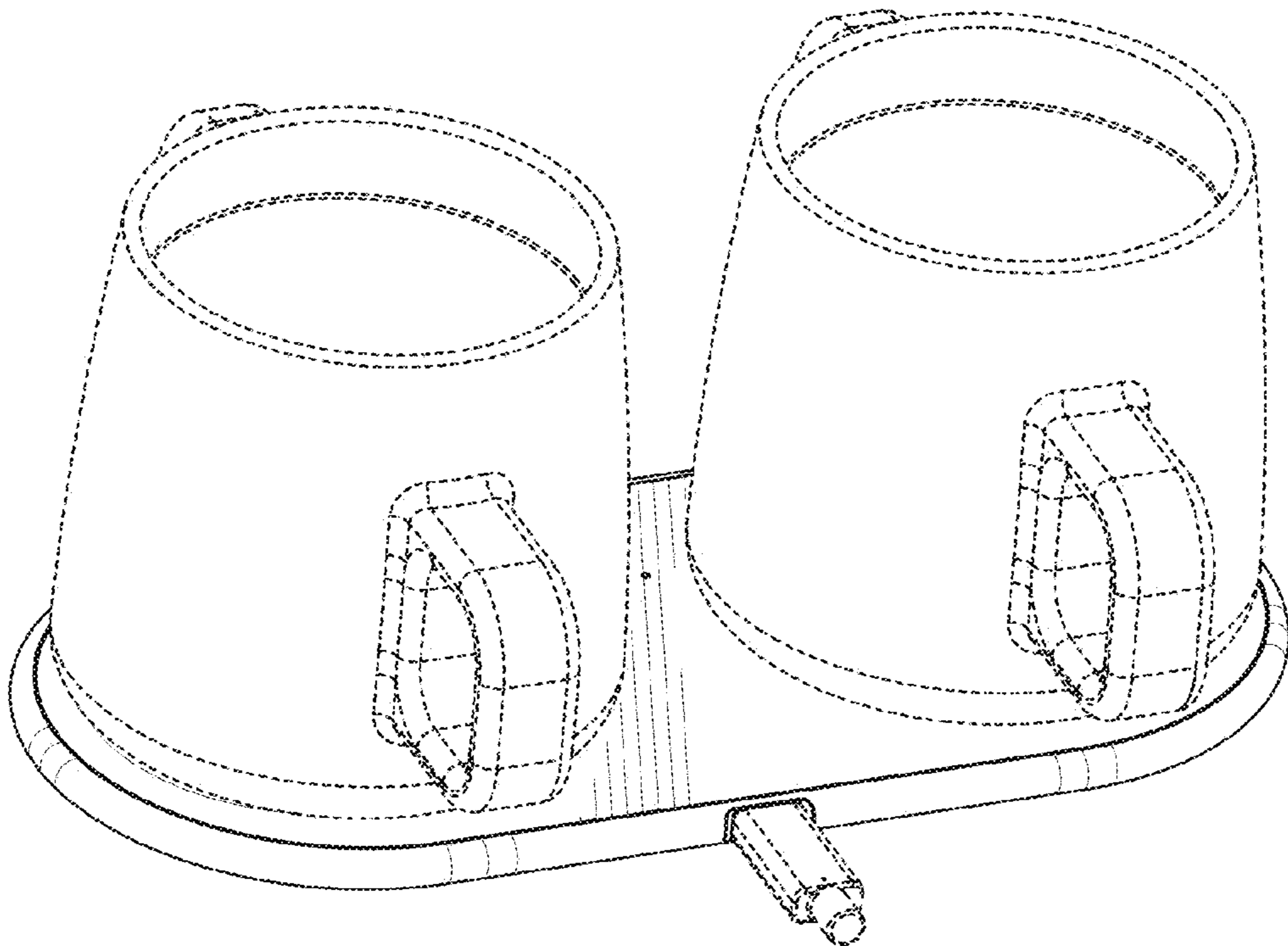


FIG. 8