

US00D943521S

(12) **United States Design Patent** (10) **Patent No.:** **US D943,521 S**  
**Tyson et al.** (45) **Date of Patent:** **\*\* Feb. 15, 2022**

- (54) **MANAGEMENT MODULE FOR A CHARGING STATION FOR MOBILE DEVICES**
- (71) Applicants: **Cambrionix Ltd**, Cambridge (GB);  
**Cambrionix Holdings Limited**,  
Cambridge (GB)
- (72) Inventors: **Steven Tyson**, Cambridge (GB); **Bruce Stanley John Hutchison**, Cambridge (GB); **Alasdair Max Paul Barnett**, Cambridge (GB); **Richard Albert Norman**, Ely (GB)
- (73) Assignees: **Cambrionix Ltd**, Cambridge (GB);  
**Cambrionix Holdings Limited**,  
Cambridge (GB)
- (\*\*) Term: **15 Years**
- (21) Appl. No.: **29/735,479**
- (22) Filed: **May 21, 2020**
- (30) **Foreign Application Priority Data**  
Nov. 25, 2019 (GB) ..... 6077253  
Nov. 25, 2019 (GB) ..... 6077254  
(Continued)
- (51) **LOC (13) Cl.** ..... **13-02**
- (52) **U.S. Cl.**  
USPC ..... **D13/108; D13/184; D14/356**
- (58) **Field of Classification Search**  
USPC ..... D13/103, 107, 108, 110, 118, 119, 184,  
D13/199; D14/300, 356, 432, 433, 434,  
D14/447

(Continued)

- (56) **References Cited**  
U.S. PATENT DOCUMENTS  
D381,637 S \* 7/1997 Haider ..... D13/184  
5,649,839 A \* 7/1997 Yu ..... H01R 25/03  
200/51 R  
(Continued)

- OTHER PUBLICATIONS  
"Cambrionix 'ModIT' Charging Station". Found online Jul. 2, 2021 at med-technews.com. Reference dated Jan. 15, 2020. Retrieved from <https://www.med-technews.com/news/what-will-be-launched-on-the-abhi-uk-pavilion-at-arab-health/>. (Year: 2020).\*  
(Continued)

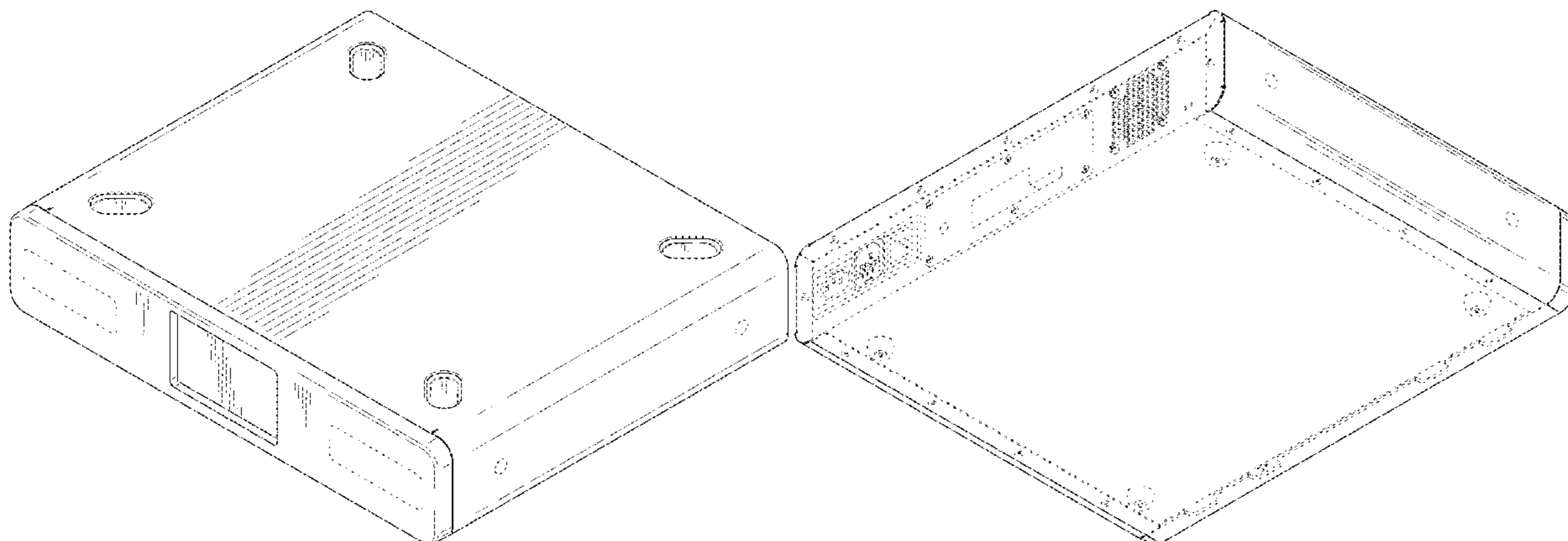
*Primary Examiner* — Kendra Leslie Hamilton  
*Assistant Examiner* — Amanda Christensen  
(74) *Attorney, Agent, or Firm* — Dascenzo Gates  
Intellectual Property Law, P.C.

- (57) **CLAIM**  
The ornamental design for a management module for a charging station for mobile devices, as shown and described.

**DESCRIPTION**

FIG. 1 is a top, front, left isometric view of a management module for a charging station for mobile devices showing the new design;  
FIG. 2 is a bottom, rear, right isometric view thereof;  
FIG. 3 is a front view thereof;  
FIG. 4 is a rear view thereof;  
FIG. 5 is a right side view thereof;  
FIG. 6 is a left side view thereof;  
FIG. 7 is a top view thereof; and,  
FIG. 8 is a bottom view thereof.  
The broken lines shown in the drawings represent portions of the management module for a charging station for mobile devices that form no part of the claimed design.

**1 Claim, 6 Drawing Sheets**



(30) **Foreign Application Priority Data**

Nov. 25, 2019 (GB) ..... 6077255  
Nov. 25, 2019 (GB) ..... 6077256  
Nov. 25, 2019 (GB) ..... 6077257

(58) **Field of Classification Search**

CPC ..... H02J 50/00; H02J 15/00; H02J 7/0044;  
H05K 5/00

See application file for complete search history.

(56) **References Cited**

U.S. PATENT DOCUMENTS

D502,173 S \* 2/2005 Jung ..... D13/158  
D504,112 S \* 4/2005 Suckle ..... D13/110  
D525,971 S \* 8/2006 Ayala ..... D14/356  
D602,431 S \* 10/2009 Liu ..... D13/110  
D662,498 S \* 6/2012 Morgan ..... D14/356  
D768,073 S \* 10/2016 Kim ..... D13/103  
D902,852 S \* 11/2020 Lin ..... D13/108  
D907,636 S \* 1/2021 Chen ..... D14/433  
D921,626 S \* 6/2021 Jun ..... D14/348  
2015/0263550 A1\* 9/2015 Han ..... H02J 7/0014  
320/108  
2018/0259722 A1\* 9/2018 Raza ..... G02B 6/3897

OTHER PUBLICATIONS

“HSMReferenceGuide”. Found online Jul. 2, 2021 at demos.ru.  
Reference dated 2010. Retrieved from [https://www.demos.ru/upload/iblock/c1e/HSMReferenceGuide\\_December2010.pdf](https://www.demos.ru/upload/iblock/c1e/HSMReferenceGuide_December2010.pdf). (Year: 2010).\*

“Futurex Excrypt Series”. Found online Jul. 1, 2021 at futurex.com.  
Reference dated May 1, 2019. Retrieved from <https://web.archive.org/web/20190501083243/https://www.futurex.com/products/excrypt-series>. (Year: 2019).\*

\* cited by examiner

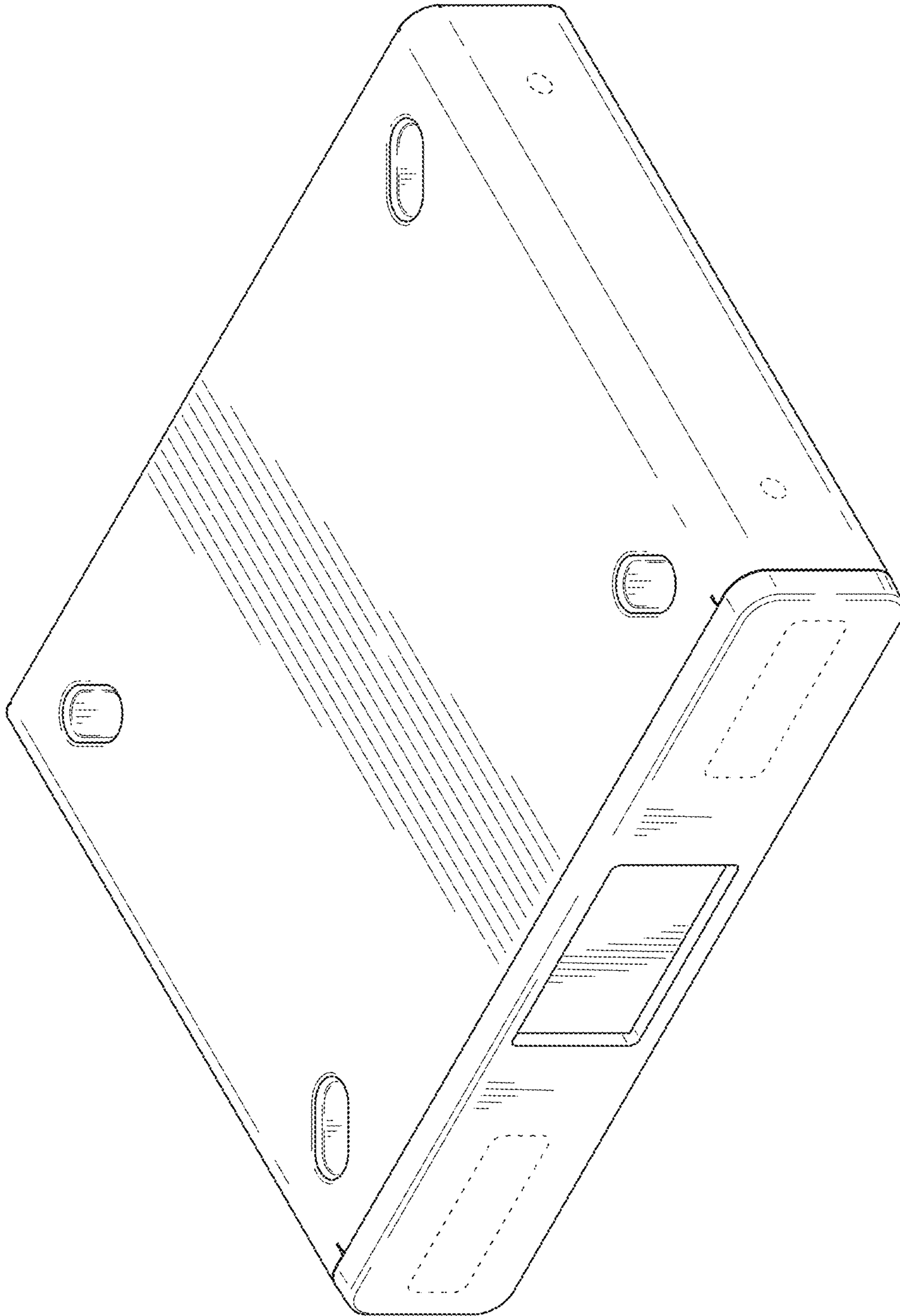


FIG. 1

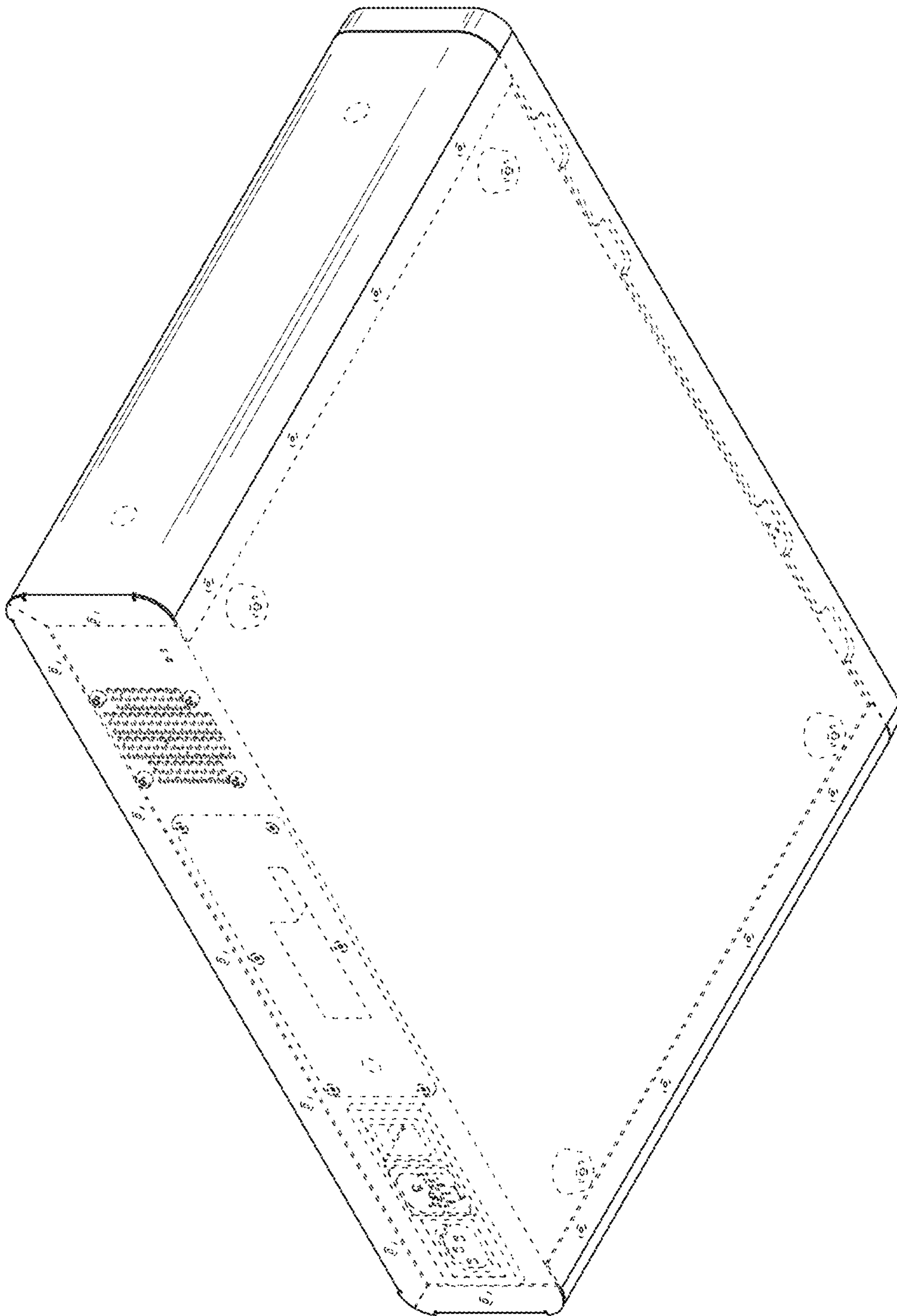


FIG. 2

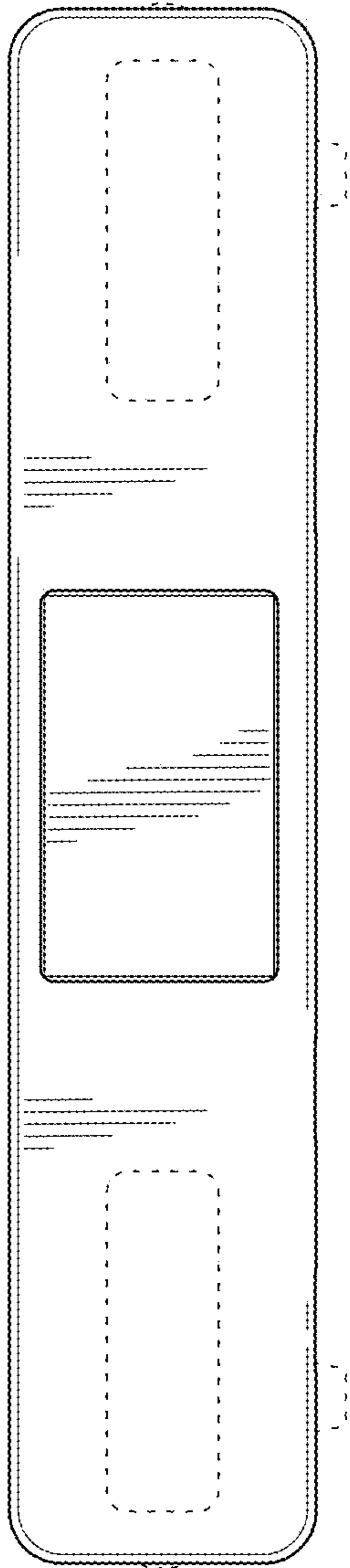


FIG. 3

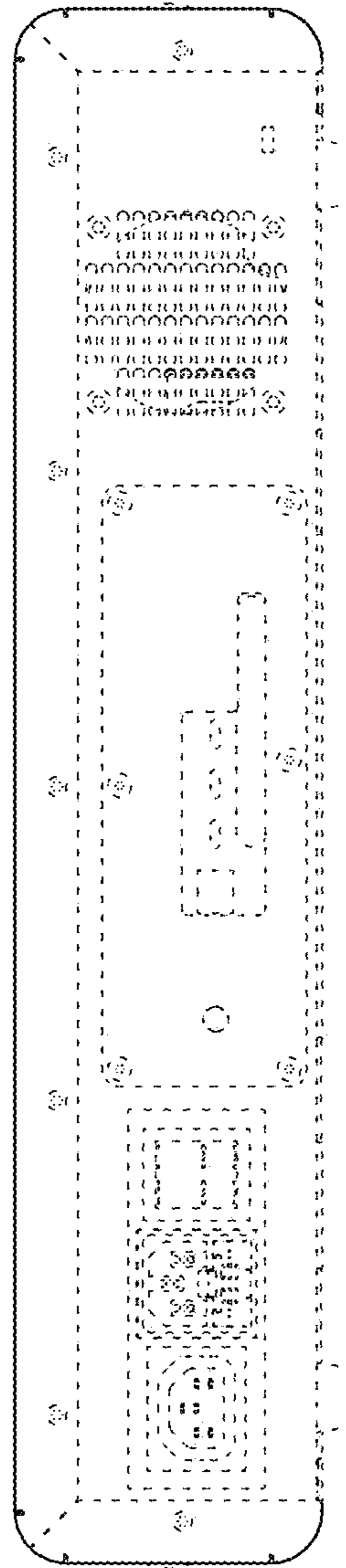


FIG. 4

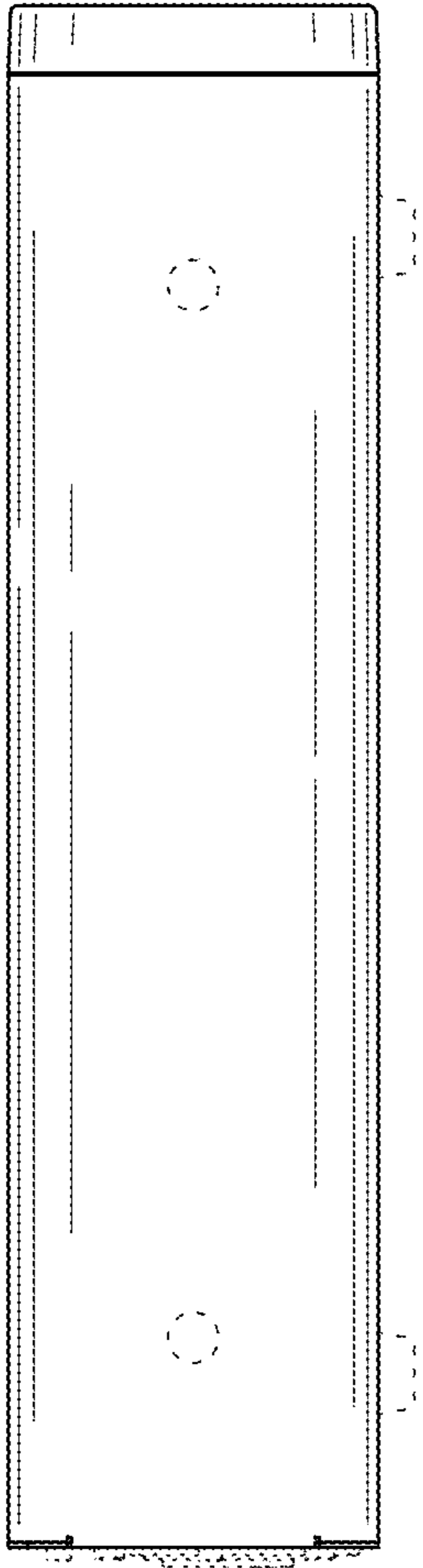


FIG. 5

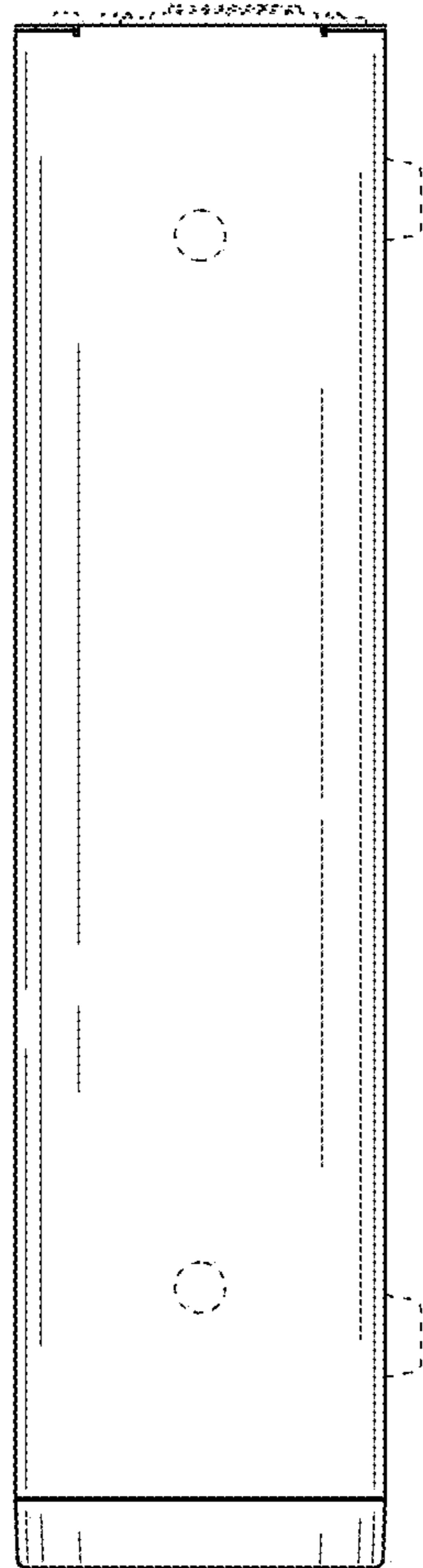


FIG. 6

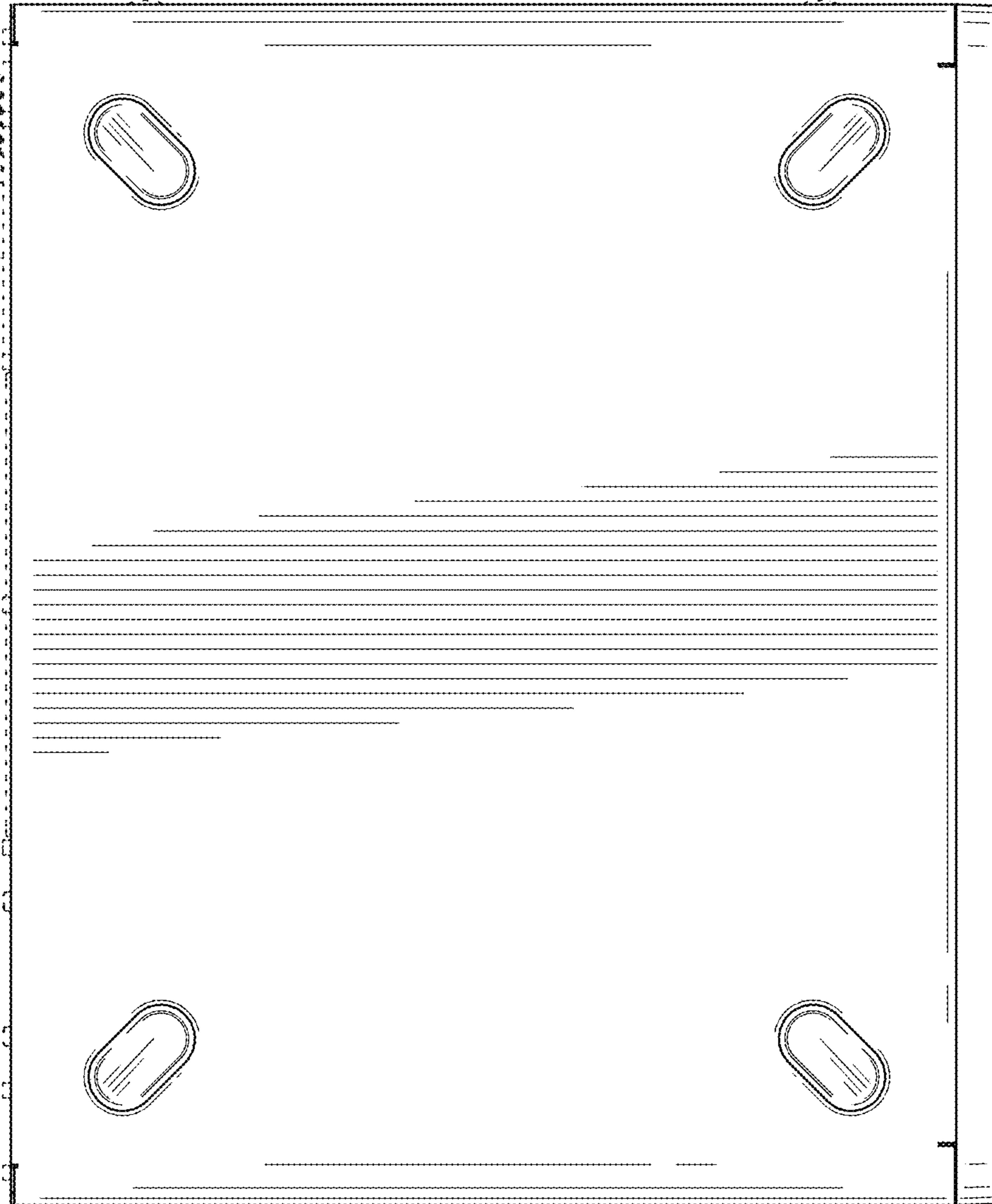


FIG. 7

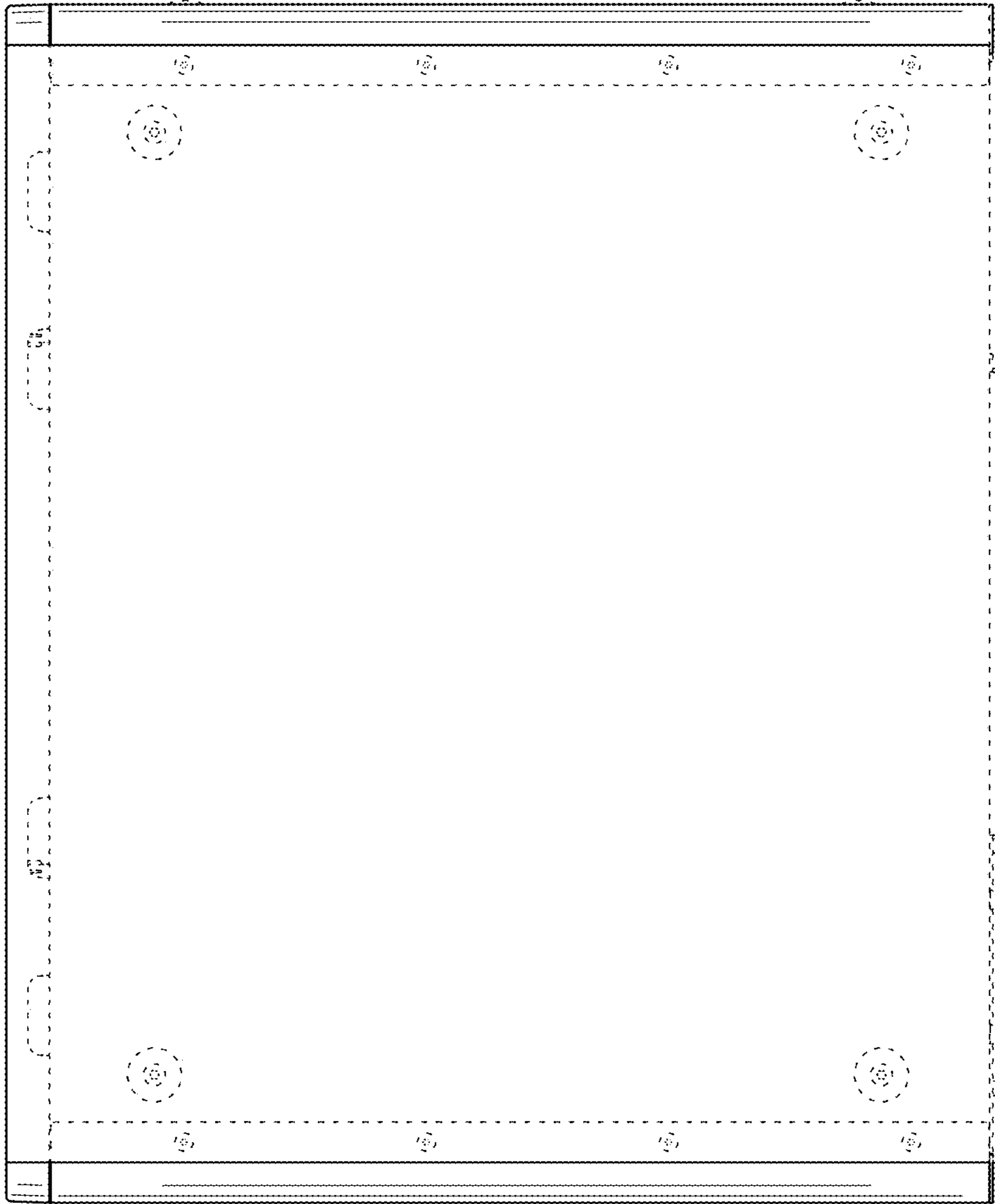


FIG. 8