



US00D943519S

(12) **United States Design Patent** (10) **Patent No.:** **US D943,519 S**
Kihl et al. (45) **Date of Patent:** **** Feb. 15, 2022**

(54) **CHARGER FOR VEHICLES DRIVEN ELECTRICALLY**

(71) Applicant: **LG ELECTRONICS INC., Seoul (KR)**

(72) Inventors: **Hewon Kihl, Seoul (KR); Sechang Park, Seoul (KR); Sangwon Yoon, Seoul (KR); Yongho Lee, Seoul (KR); Kyeongchul Cho, Seoul (KR)**

(73) Assignee: **LG ELECTRONICS INC., Seoul (KR)**

(**) Term: **15 Years**

(21) Appl. No.: **35/509,101**

(22) Filed: **Oct. 16, 2019**

(80) **Hague Agreement Data**

Int. Filing Date: **Oct. 16, 2019**
Int. Reg. No.: **DM/204833**
Int. Reg. Date: **Oct. 16, 2019**
Int. Reg. Pub. Date: **Apr. 17, 2020**

(30) **Foreign Application Priority Data**

Apr. 26, 2019 (KR) 30-2019-0019843

(51) **LOC (13) Cl.** **13-02**

(52) **U.S. Cl.**
USPC **D13/107**

(58) **Field of Classification Search**
USPC D13/108, 110, 107; D14/307
CPC .. G07F 17/0042; B60L 11/1825; B60L 53/31; B60L 53/18; B60L 3/04
See application file for complete search history.

(56) **References Cited**

U.S. PATENT DOCUMENTS

D626,064 S * 10/2010 Cutter D13/107
D634,267 S * 3/2011 Blain D13/107

D639,800 S * 6/2011 Magruder D14/307
D647,053 S * 10/2011 Gotou D13/107
D654,430 S * 2/2012 Demers D13/107
D659,090 S * 5/2012 deRoo D13/107
D659,635 S * 5/2012 Hou D13/107
D669,026 S * 10/2012 Oda D13/107
D674,334 S * 1/2013 Cutter D13/107
D676,376 S * 2/2013 Yamada D13/107
D688,199 S * 8/2013 Behar D13/107
D708,573 S * 7/2014 Gieniec D13/107
D711,315 S * 8/2014 Chin-Ho Kim D13/107
D720,285 S * 12/2014 Gilomen D13/107
D729,157 S * 5/2015 Gilomen D13/107

(Continued)

OTHER PUBLICATIONS

“PSE&G Gains Approval to Jump-Start Electric Vehicle Charging in New Jersey” reference dated Jan. 27, 2021 found on the internet by RMS at: <https://nj.pseg.com/newsroom/newsrelease208>.*

(Continued)

Primary Examiner — Rhea Shields
(74) *Attorney, Agent, or Firm* — Birch, Stewart, Kolasch & Birch, LLP

(57) **CLAIM**

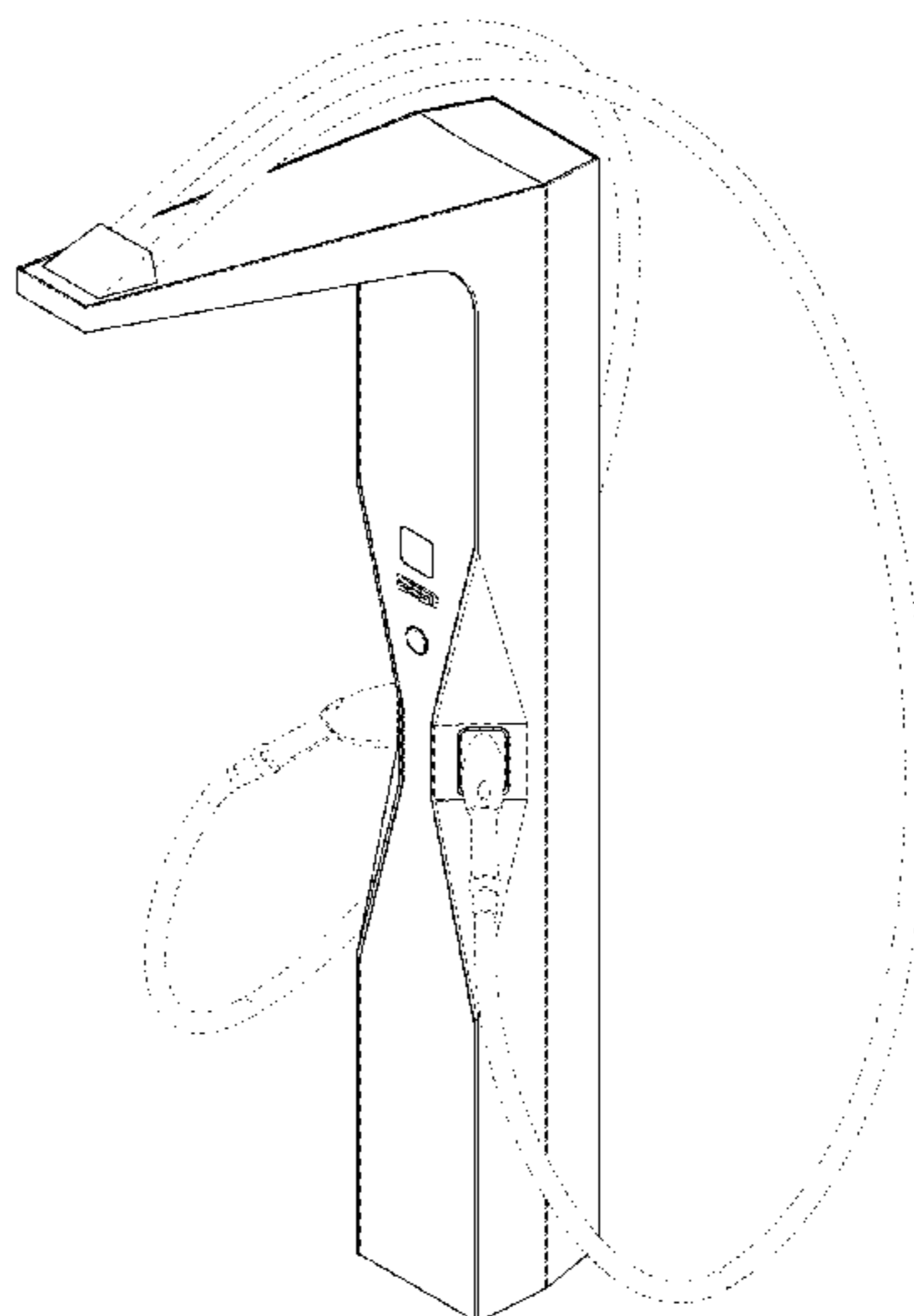
The ornamental design for a charger for vehicles driven electrically, as shown and described.

DESCRIPTION

- 1. Charger for vehicles driven electrically
- 1.1 : Perspective
- 1.2 : Front
- 1.3 : Back
- 1.4 : Left
- 1.5 : Right
- 1.6 : Top
- 1.7 : Bottom

In the Reproductions, the broken lines are for the purpose of showing portions of the charger for vehicles driven electrically that form no part of the claimed design.

1 Claim, 7 Drawing Sheets



(56)

References Cited

U.S. PATENT DOCUMENTS

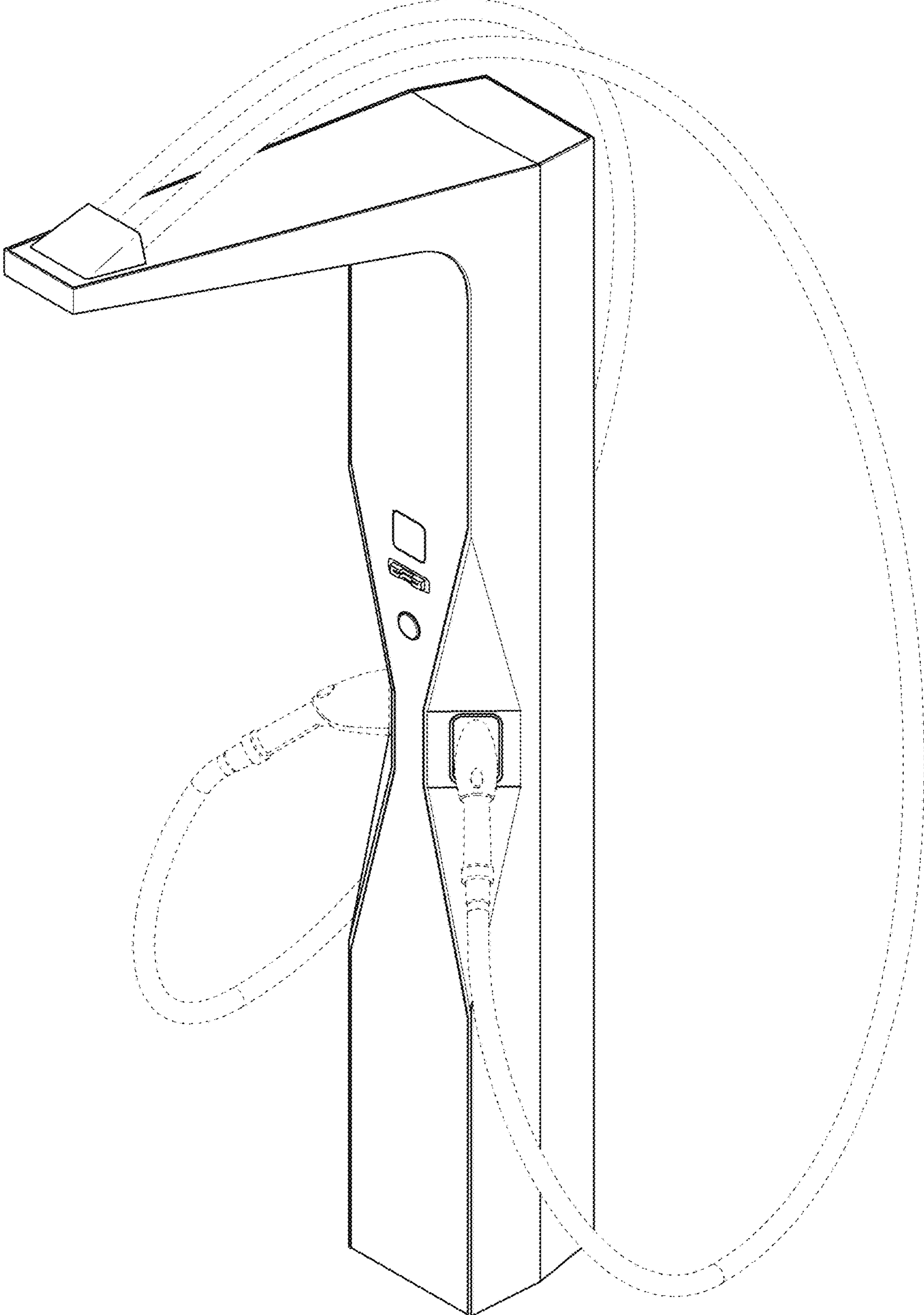
D729,158	S *	5/2015	Gilomen	D13/107
D730,821	S *	6/2015	Chin-Ho Kim	D13/107
D733,647	S *	7/2015	Farrell	D13/107
9,090,172	B2 *	7/2015	Ranga	B60L 11/1825
D749,503	S *	2/2016	Ferguson	D13/107
D778,818	S *	2/2017	Bruining	D13/107
10,084,329	B2 *	9/2018	Hamilton	G07F 17/0042
D833,387	S *	11/2018	Baxter	D13/107
D838,668	S *	1/2019	Westfall	D13/107
D844,559	S *	4/2019	Mercer	D13/107
D868,687	S *	12/2019	da Silva	D13/107
D876,345	S *	2/2020	Mercer	D13/107
D889,397	S *	7/2020	Bouman	D13/107
D889,400	S *	7/2020	Rasmussen	D13/107
D893,414	S *	8/2020	Mercer	D13/107
D912,619	S *	3/2021	Visser-de Lange	D13/107
D914,593	S *	3/2021	Frerichs	D13/110
2011/0145141	A1 *	6/2011	Blain	B60L 3/04 705/39
2013/0069588	A1 *	3/2013	Oda	B60L 53/18 320/109
2013/0207606	A1 *	8/2013	Ranga	B60L 53/31 320/109

OTHER PUBLICATIONS

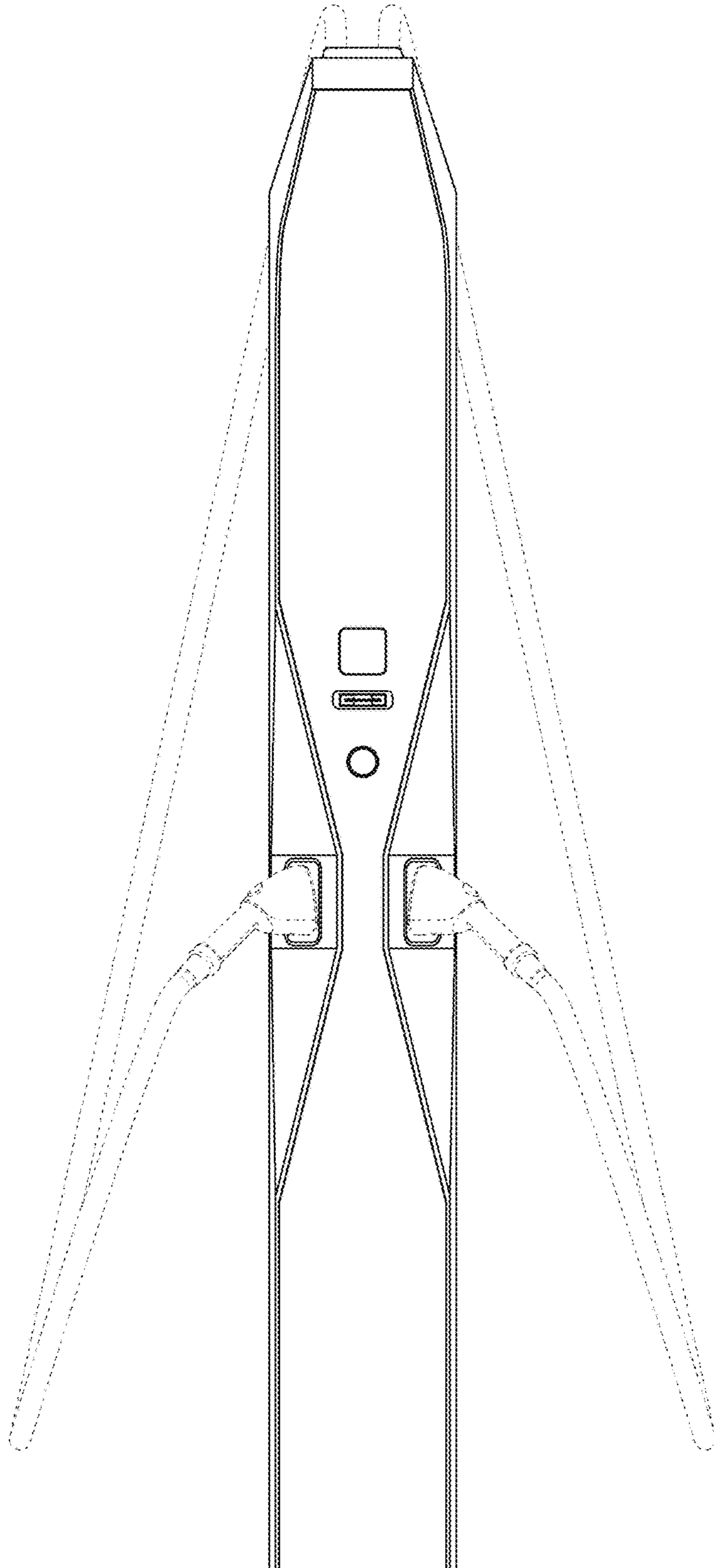
“Porsche installs its first high-speed electric car chargers” reference dated Jul. 16, 2017 found by RMS on the internet at: <https://www.engadget.com/2017-07-16-porsche-installs-first-super-fast-ev-chargers.html>.*

* cited by examiner

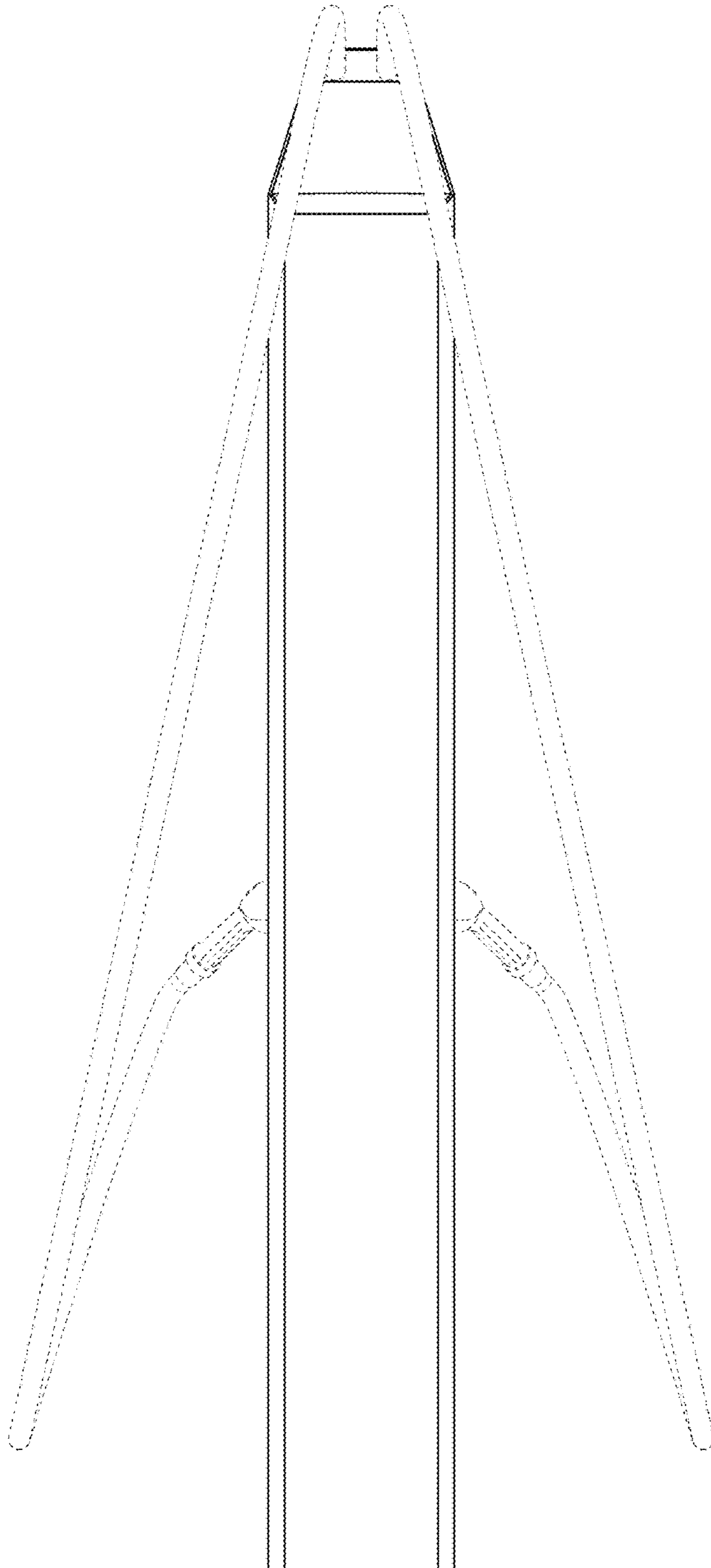
1.1



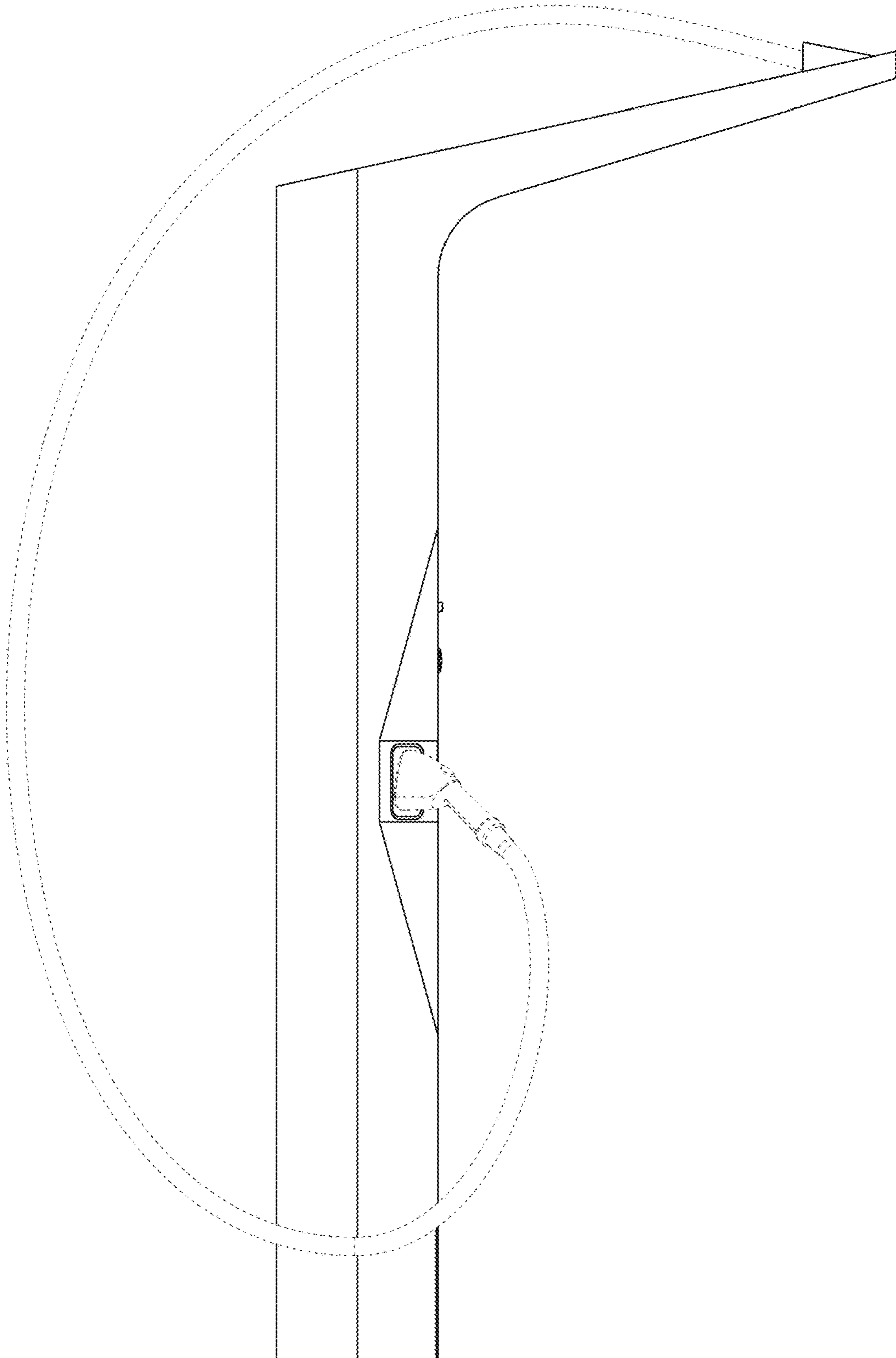
1.2



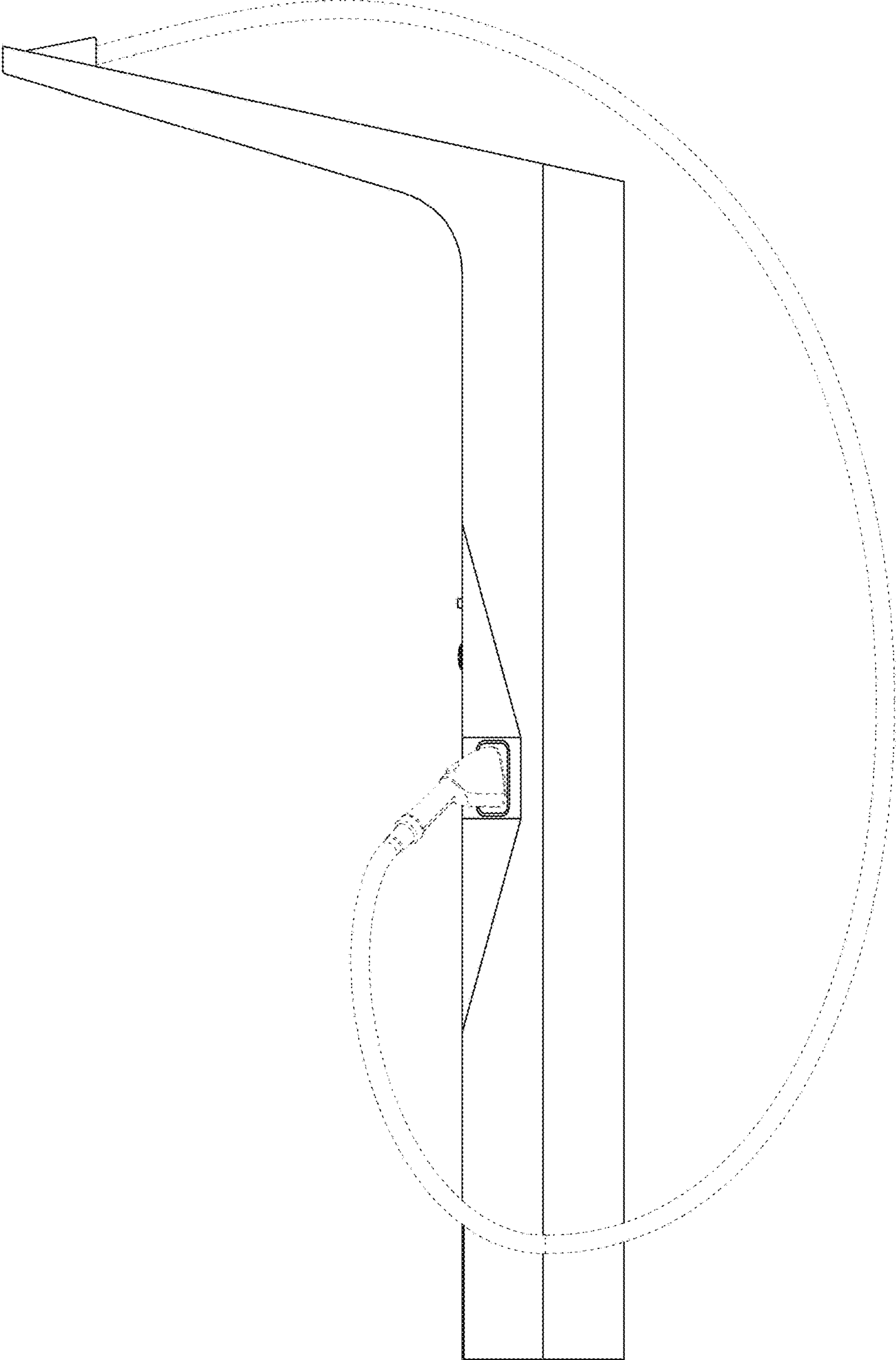
1.3



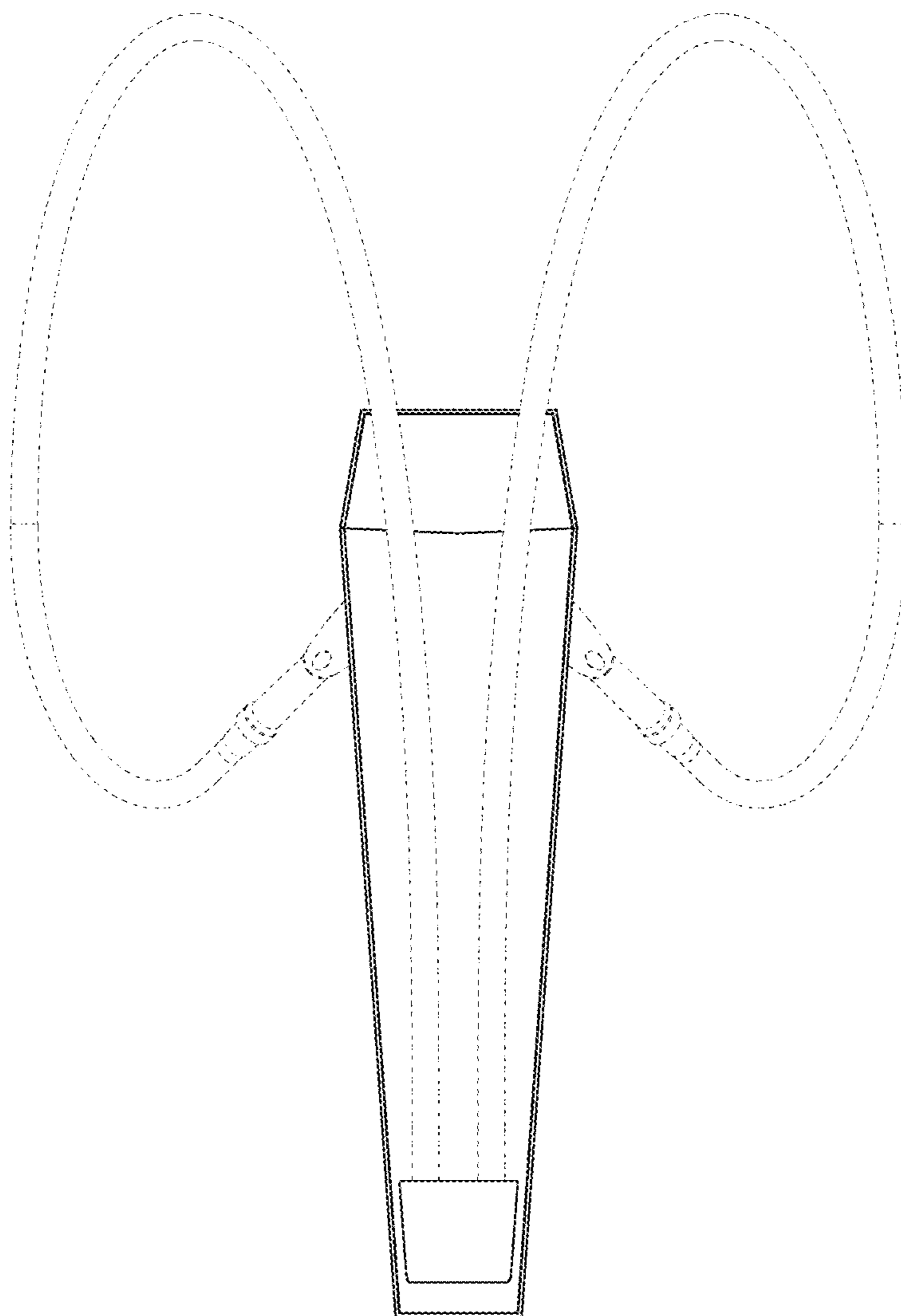
1.4



1.5



1.6



1.7

