



US00D943517S

(12) **United States Design Patent** (10) **Patent No.:** **US D943,517 S**  
**Deng** (45) **Date of Patent:** **\*\* Feb. 15, 2022**

(54) **WALL CHARGER**

(71) Applicant: **E. Mishan & Sons, Inc.**, New York, NY (US)

(72) Inventor: **Daniel Deng**, Dongguan (CN)

(73) Assignee: **E. Mishan & Sons, Inc.**, New York, NY (US)

(\*\*) Term: **15 Years**

(21) Appl. No.: **29/775,765**

(22) Filed: **Mar. 25, 2021**

(51) **LOC (13) Cl.** ..... **13-02**

(52) **U.S. Cl.**  
USPC ..... **D13/107**

(58) **Field of Classification Search**  
USPC ..... D13/103, 107–110, 118–121, 184, 199, D13/137.1–137.4; D14/251, 253, 432, D14/434, 447  
CPC ..... H02J 7/025; H02J 7/0026; H02J 7/0042; H02J 7/0044; H02J 7/0045; H02J 7/0047; H02J 7/0013; H02J 7/0003; H01M 10/44; H01M 10/441

See application file for complete search history.

(56) **References Cited**

**U.S. PATENT DOCUMENTS**

D312,615 S \* 12/1990 Schwartz ..... D13/137.2  
D364,379 S \* 11/1995 Pogue ..... D13/137.2  
D486,126 S \* 2/2004 Aromin ..... D13/137.2  
D618,175 S \* 6/2010 Shi ..... D13/137.2  
7,881,462 B2 2/2011 Hazani  
7,887,341 B2 2/2011 Liao  
D639,707 S 6/2011 Caskey  
D651,974 S 1/2012 Benedetti  
D666,972 S 9/2012 Kuo  
D673,912 S 1/2013 Benedetti  
D680,953 S \* 4/2013 Kuo ..... D13/137.2

8,686,683 B2 4/2014 Caskey  
D714,221 S 9/2014 Neiser  
8,864,517 B2 10/2014 Cohen  
D740,227 S 10/2015 Symons  
9,161,464 B2 10/2015 Liao  
D751,038 S 3/2016 Lin  
D801,935 S 11/2017 Herr  
D807,828 S \* 1/2018 Xu ..... D13/137.2  
D814,420 S \* 4/2018 Chen ..... D13/137.2  
D826,159 S 8/2018 Tao  
D856,923 S 8/2019 Huang  
D856,934 S 8/2019 Levy  
D867,295 S \* 11/2019 Shaopeng ..... D13/137.2

(Continued)

**FOREIGN PATENT DOCUMENTS**

EM 002143073-0003 11/2012  
EM 002143073-0004 11/2012

(Continued)

*Primary Examiner* — Rosemary K Tarcza

(74) *Attorney, Agent, or Firm* — Notaro, Michalos & Zaccaria P.C.

(57) **CLAIM**

The ornamental design for a wall charger, as shown and described.

**DESCRIPTION**

FIG. 1 is a top, front perspective view of a wall charger showing my design;

FIG. 2 is a front elevational view thereof;

FIG. 3 is a rear elevational view thereof;

FIG. 4 is a left elevational view thereof;

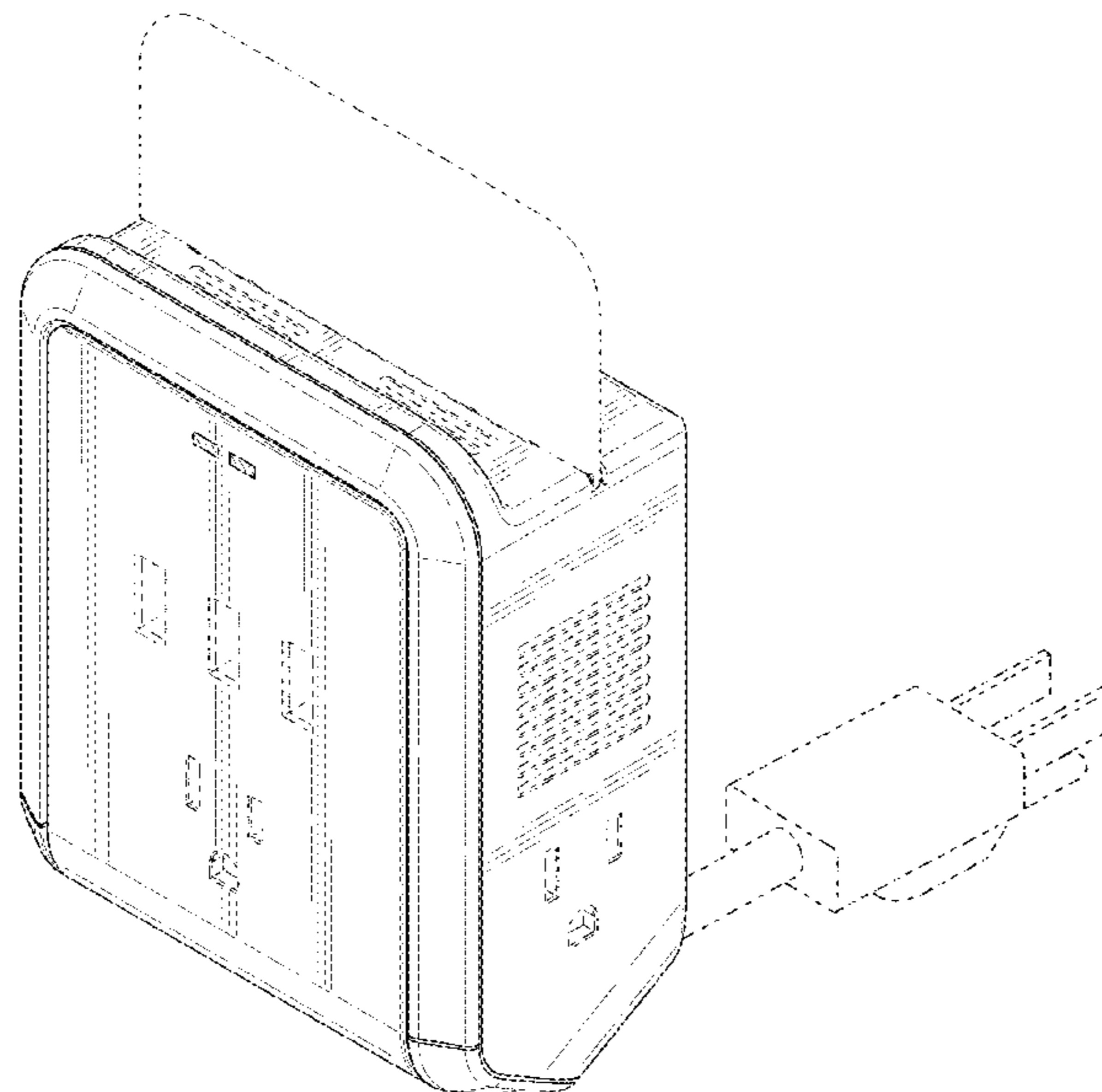
FIG. 5 is a right elevational view thereof;

FIG. 6 is a top plan view thereof; and,

FIG. 7 is a bottom plan view thereof.

The broken lines shown in the drawings are for the purpose of illustrating portions of the wall charger that form no part of the claimed design.

**1 Claim, 7 Drawing Sheets**



(56)

**References Cited**

U.S. PATENT DOCUMENTS

D881,809 S \* 4/2020 Lyu ..... D13/108  
D886,742 S \* 6/2020 Lyu ..... D13/137.2  
D894,838 S 9/2020 Chen  
D895,554 S \* 9/2020 Jianting ..... D13/137.2  
D909,305 S \* 2/2021 Shaopeng ..... D13/137.2  
D909,306 S \* 2/2021 Shaopeng ..... D13/137.2  
D924,806 S \* 7/2021 Li ..... D13/137.2  
D924,808 S \* 7/2021 Bao ..... D13/137.2  
D931,571 S \* 9/2021 Wang ..... D1/100  
2011/0084651 A1 4/2011 Caskey  
2011/0287665 A1 11/2011 Chien  
2015/0129722 A1 5/2015 Green  
2015/0295438 A1 10/2015 Herr  
2020/0096166 A1 3/2020 Gamblin

FOREIGN PATENT DOCUMENTS

EM 002143073-0005 11/2012  
EM 002143073-0006 11/2012  
EM 002260364-0001 6/2013  
EM 002260364-0002 6/2013  
EM 003144567-0001 5/2016  
EM 003421478-0001 10/2016  
EM 004034247-0005 6/2017

\* cited by examiner

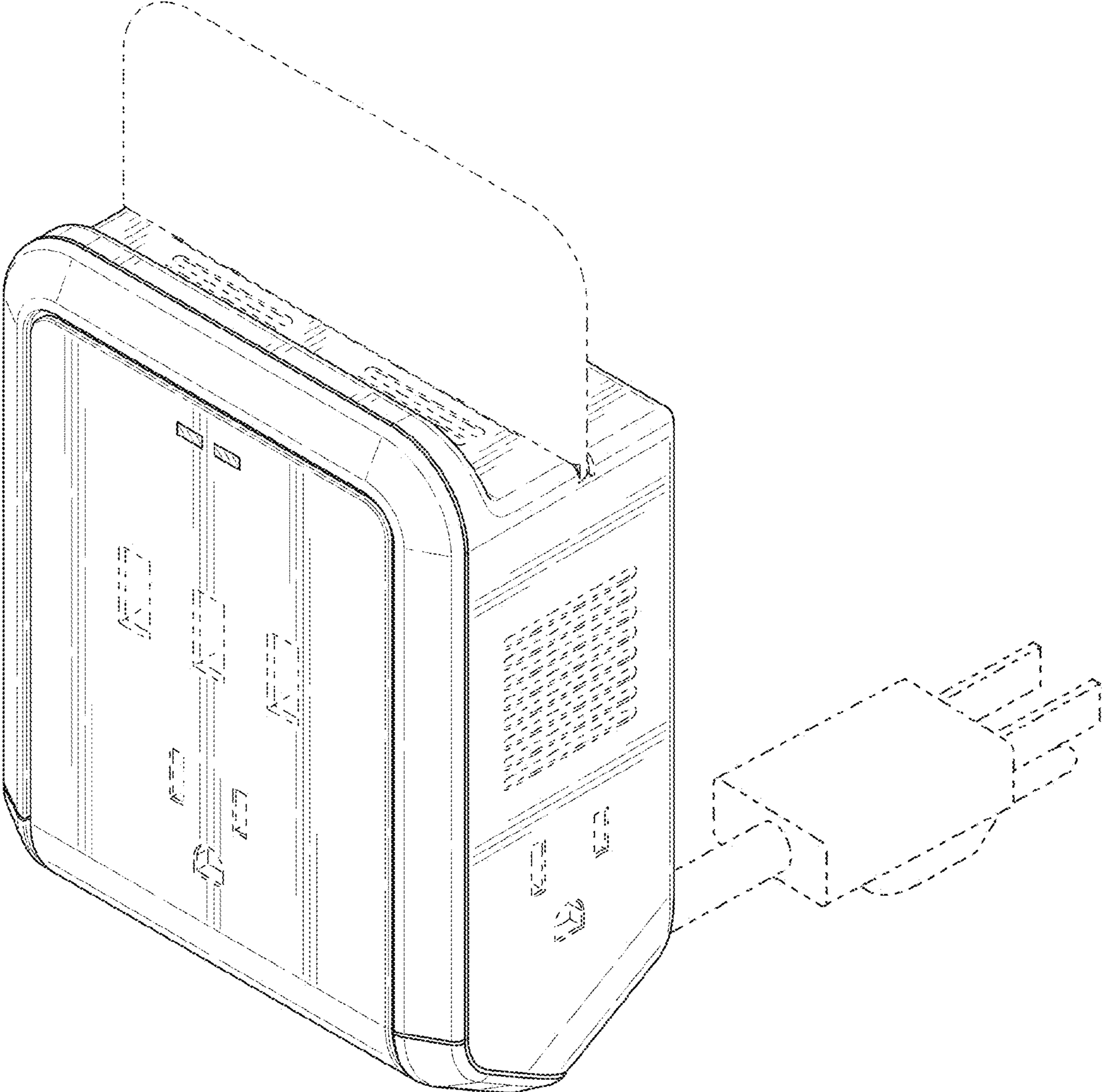


FIG. 1

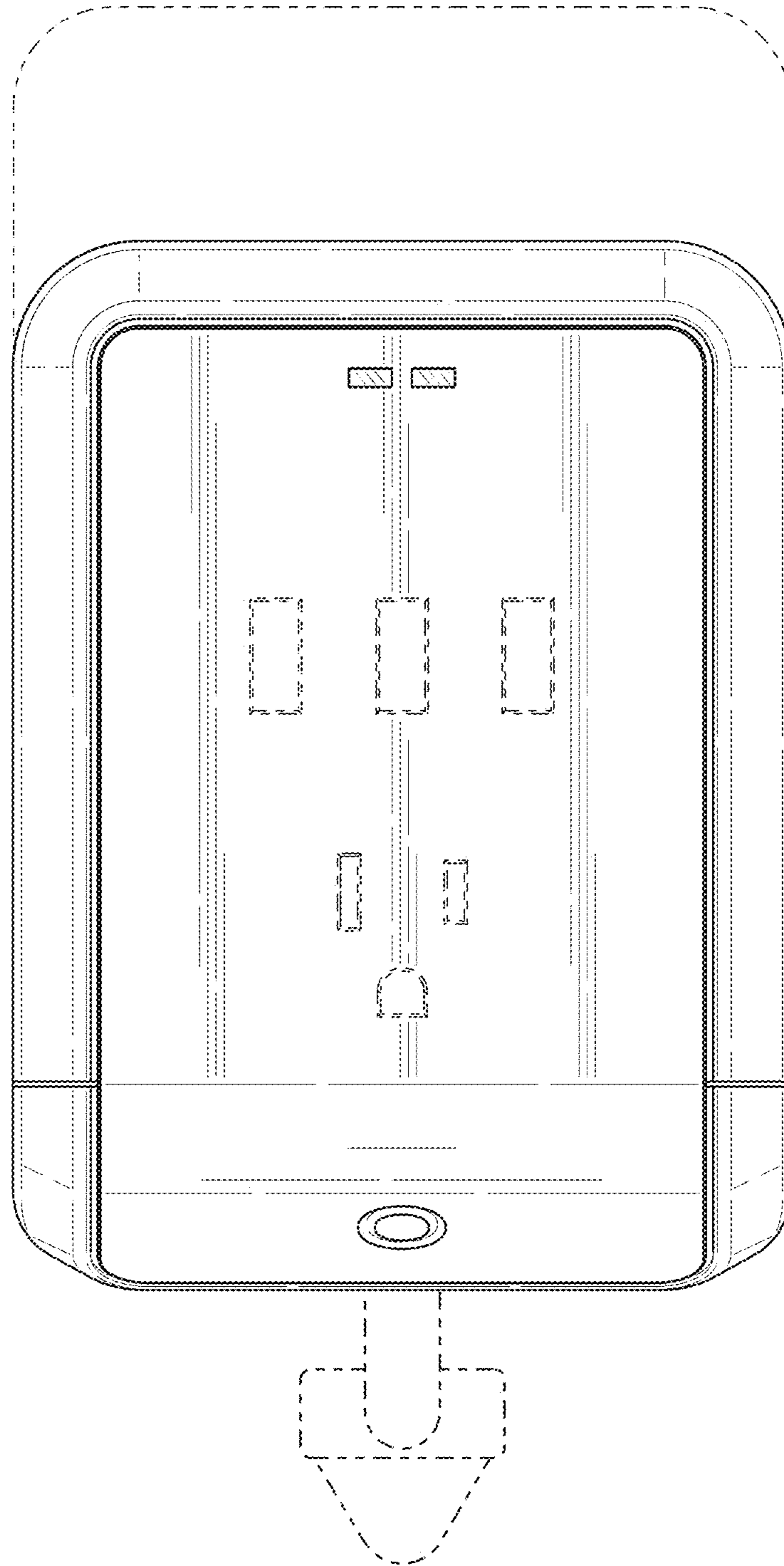


FIG. 2

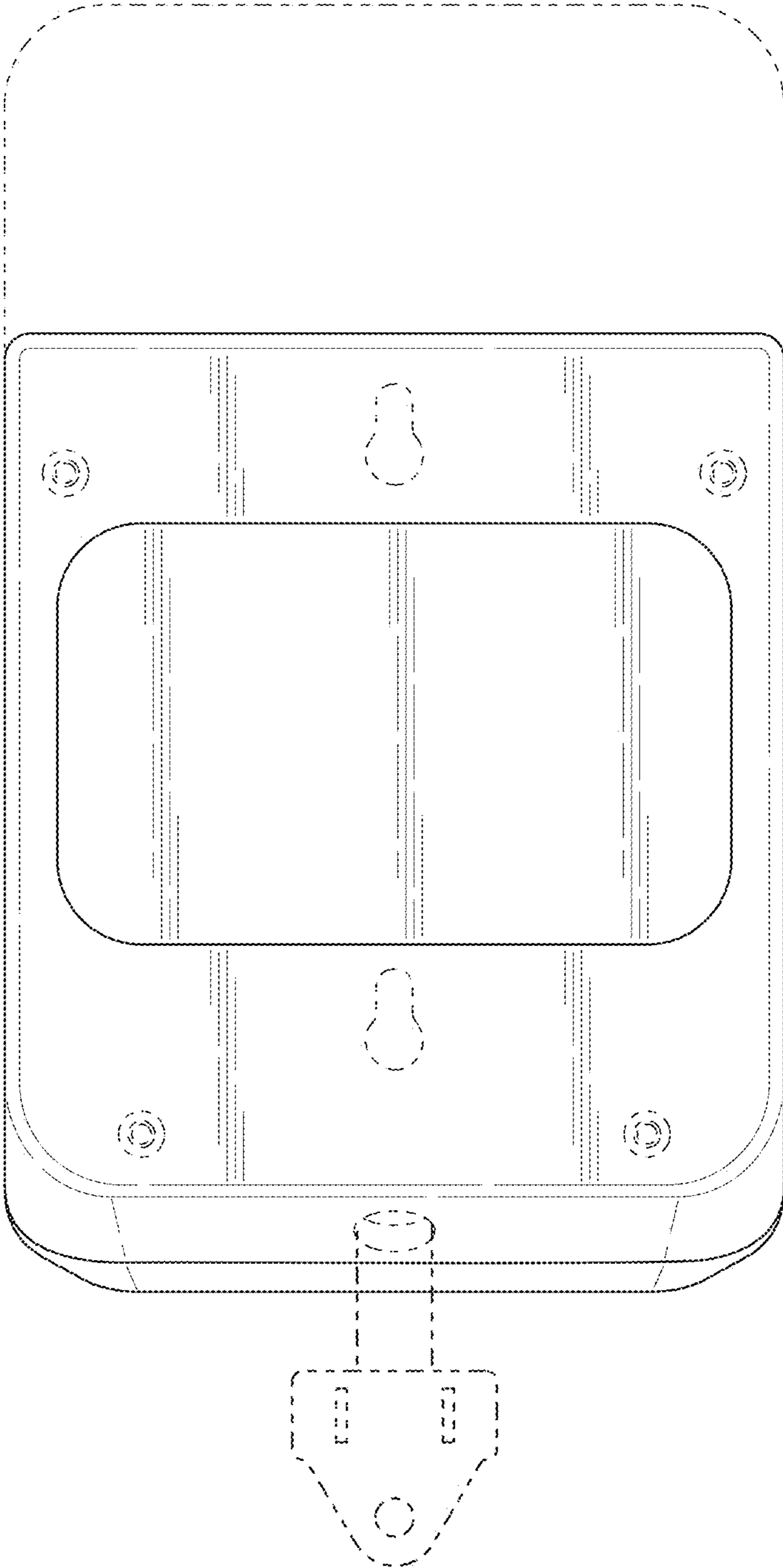


FIG. 3

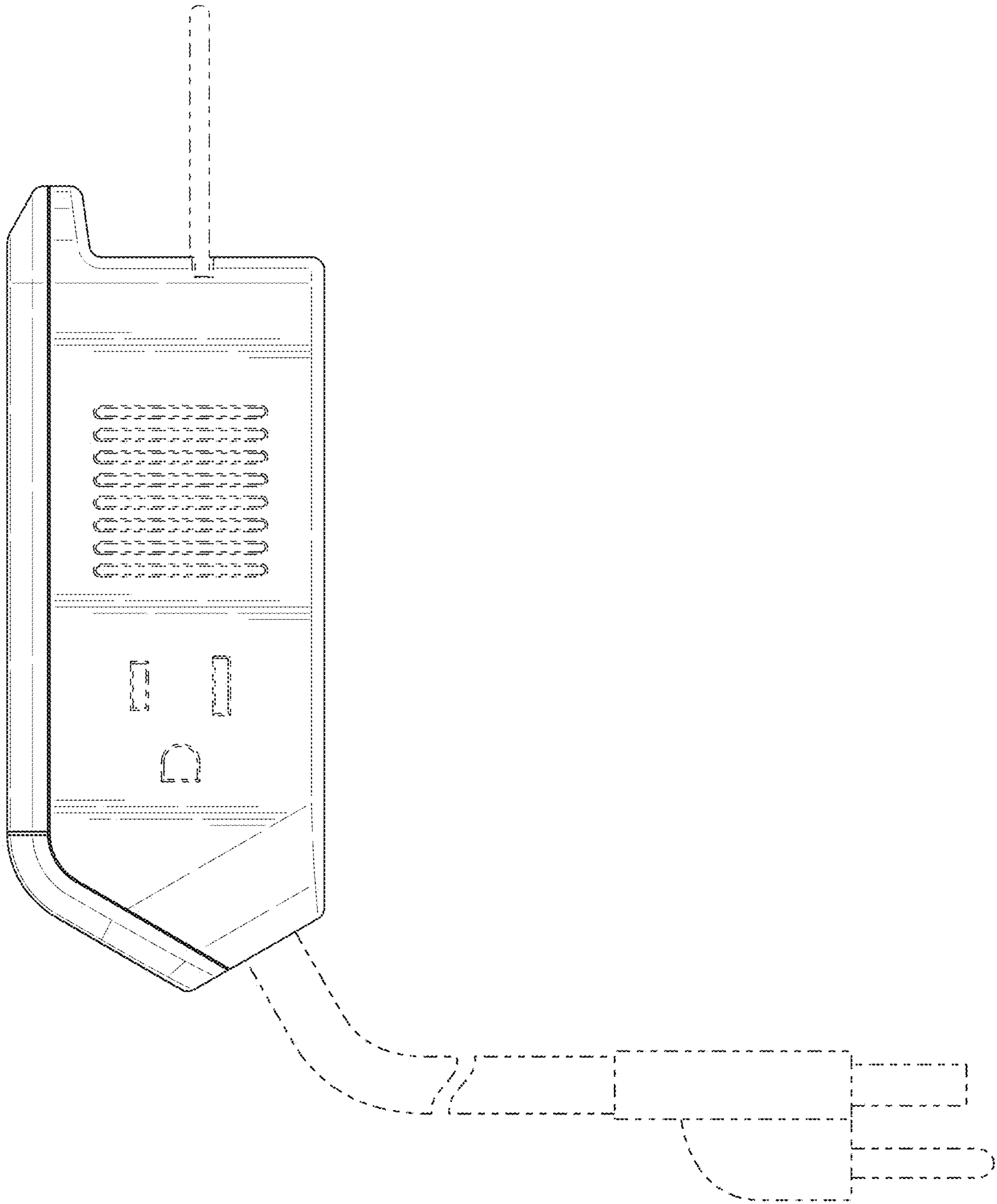


FIG. 4

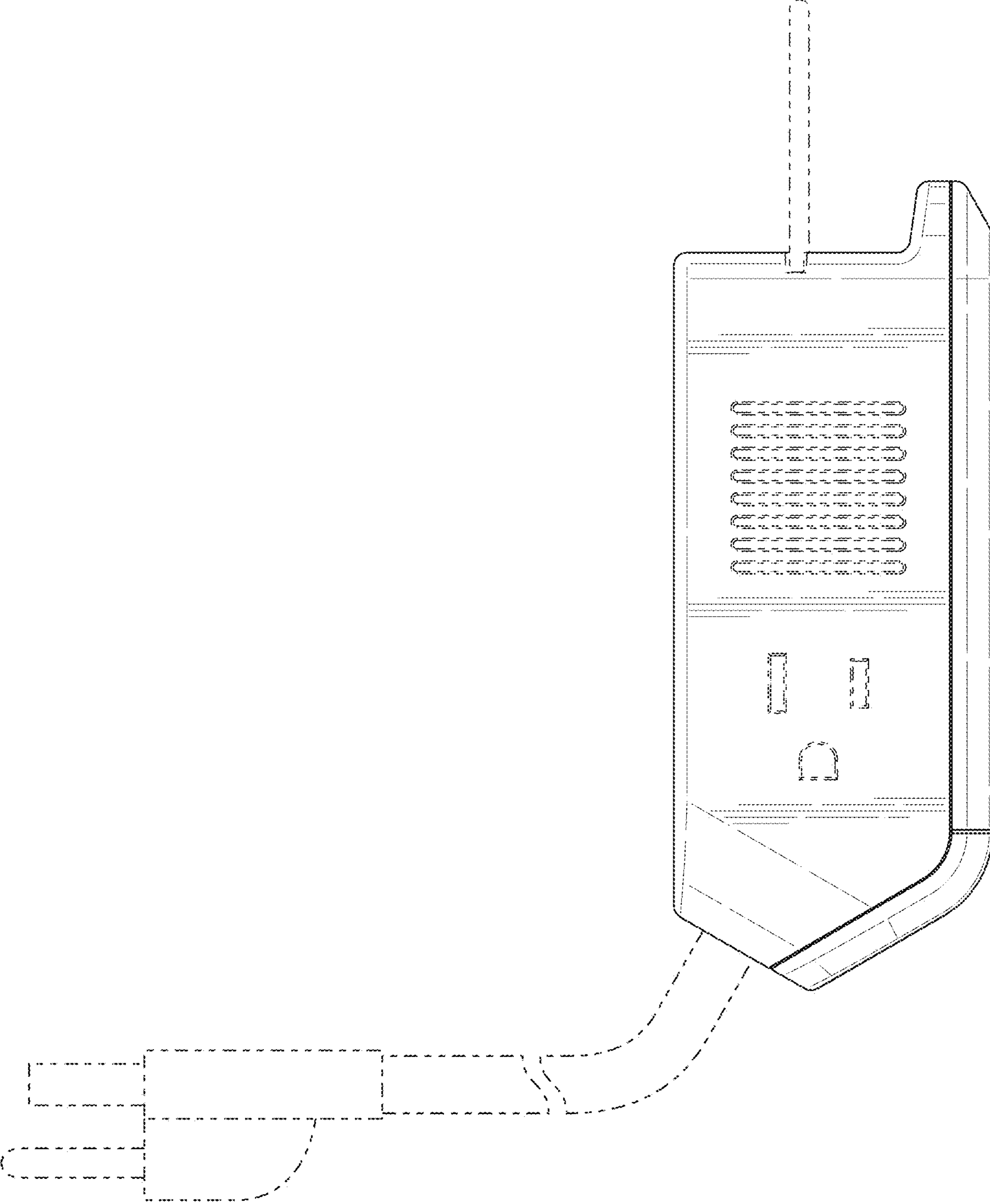


FIG. 5

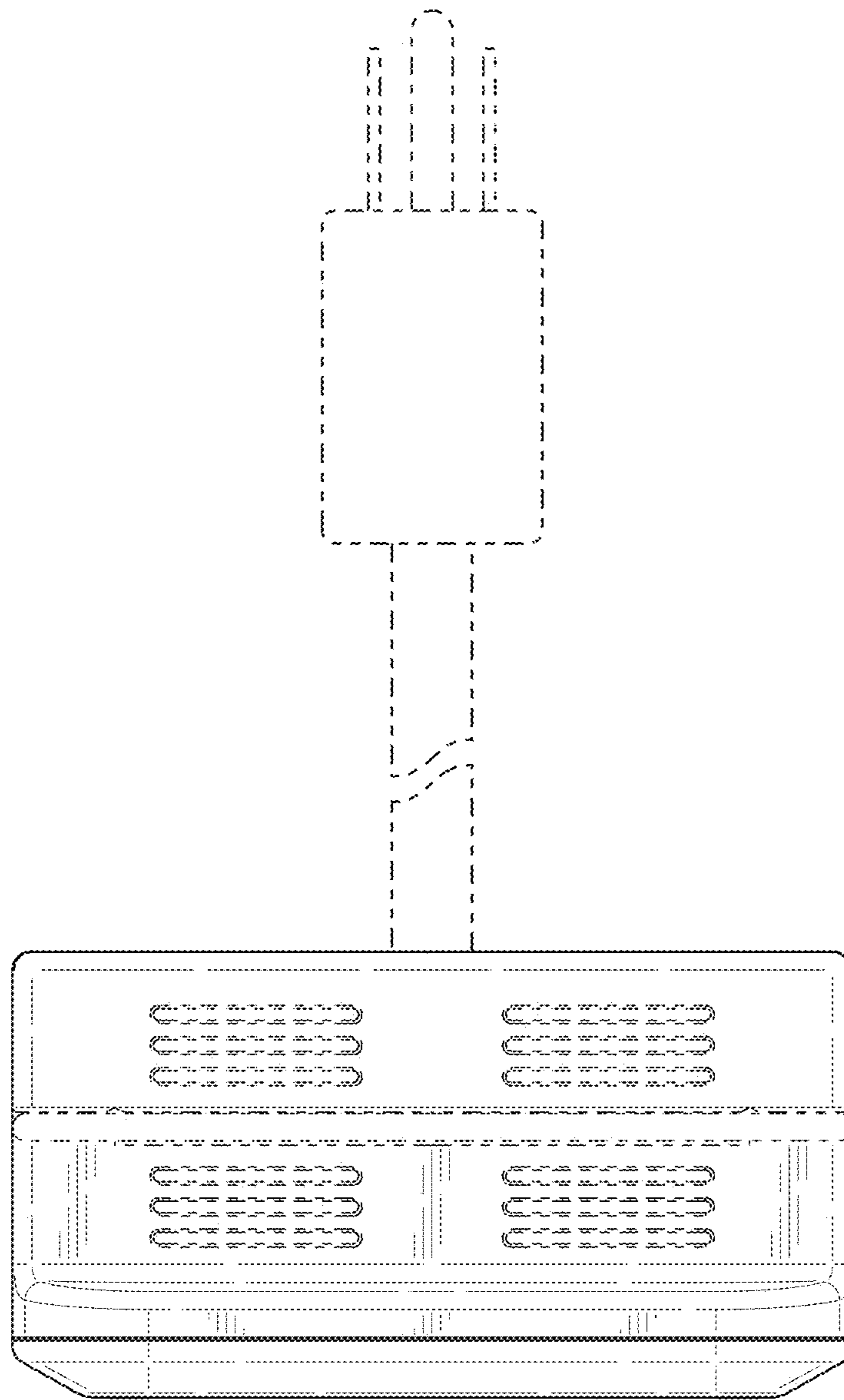


FIG. 6



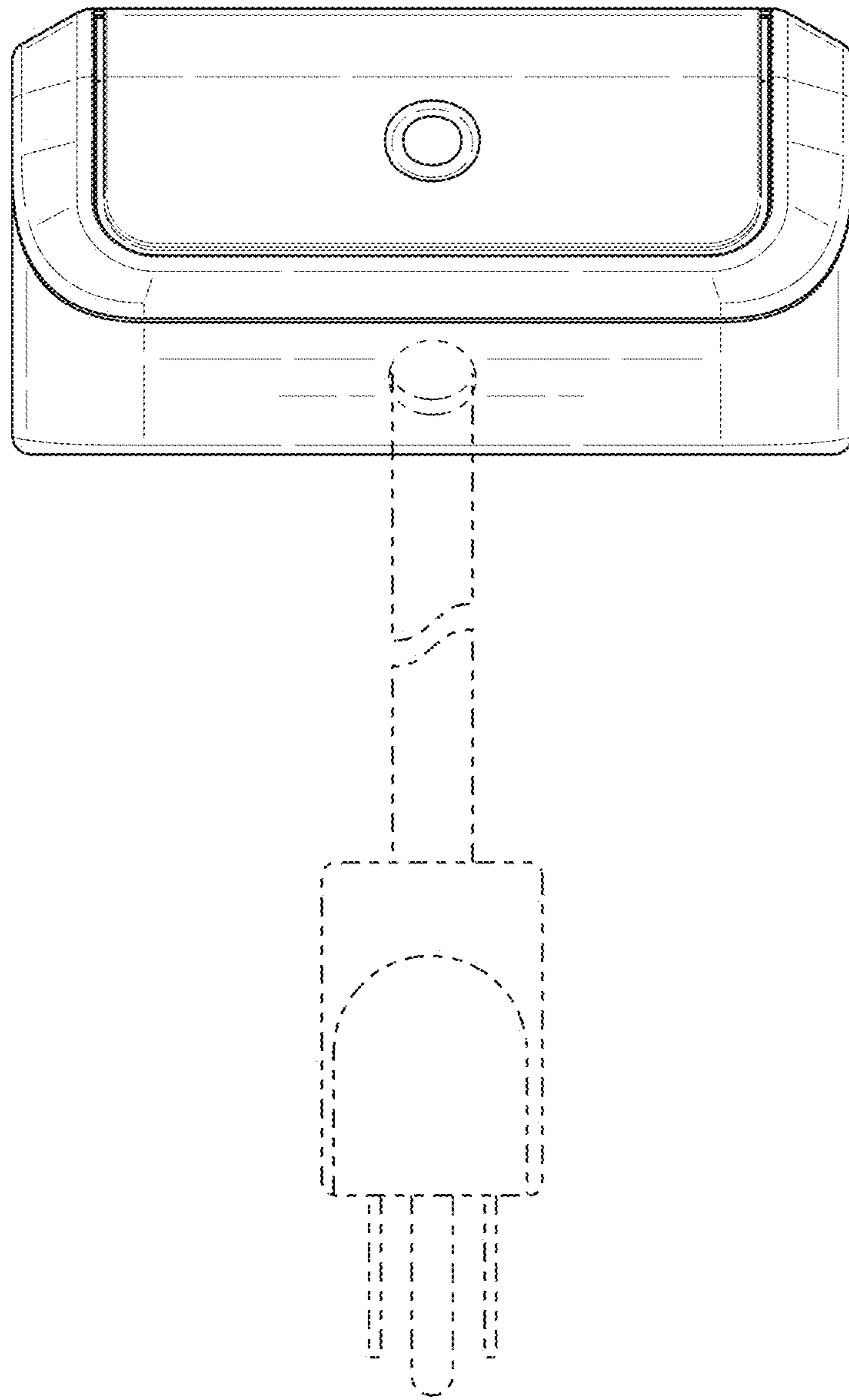


FIG. 7