



US00D943515S

(12) **United States Design Patent**  
**Hwangbo et al.**

(10) **Patent No.:** **US D943,515 S**

(45) **Date of Patent:** **\*\* Feb. 15, 2022**

(54) **CHARGING STORAGE CASE FOR BED  
MATTRESS STERILIZER**

B60R 16/03; B60L 11/1809; B60L  
11/1861; B60L 11/182

See application file for complete search history.

(71) Applicant: **LG ELECTRONICS INC.**, Seoul  
(KR)

(56) **References Cited**

U.S. PATENT DOCUMENTS

(72) Inventors: **Deung Hwangbo**, Seoul (KR); **Keunho  
Ju**, Seoul (KR); **Hojae Jung**, Seoul  
(KR); **Eunkyung Noh**, Seoul (KR);  
**Jaemyung Lim**, Seoul (KR); **Jeaseok  
Seong**, Seoul (KR)

D718,235 S *	11/2014	Uzuyama	.....	D13/108
D872,690 S *	1/2020	Williams	.....	D13/108
D878,290 S *	3/2020	Lee	.....	D13/108
D884,625 S *	5/2020	Li	.....	D13/108
D886,734 S *	6/2020	Andersson	.....	D13/108
D900,737 S *	11/2020	Hsu	.....	D13/108
D904,978 S *	12/2020	Liao	.....	D13/108
D913,221 S *	3/2021	Druce	.....	D13/108
D915,276 S *	4/2021	Peng	.....	D13/108
D916,695 S *	4/2021	Lee	.....	D14/253
D917,452 S *	4/2021	Lee	.....	D14/253

\* cited by examiner

*Primary Examiner* — Christy Nemeth

(\*\*) Term: **15 Years**

(74) *Attorney, Agent, or Firm* — Birch, Stewart, Kolasch  
& Birch, LLP

(21) Appl. No.: **29/735,524**

(22) Filed: **May 21, 2020**

(57) **CLAIM**

(30) **Foreign Application Priority Data**

We claim the ornamental design for a charging storage case  
for bed mattress sterilizer, as shown and described.

Dec. 23, 2019 (KR) ..... 30-2019-0062476

(51) **LOC (13) Cl.** ..... **13-02**

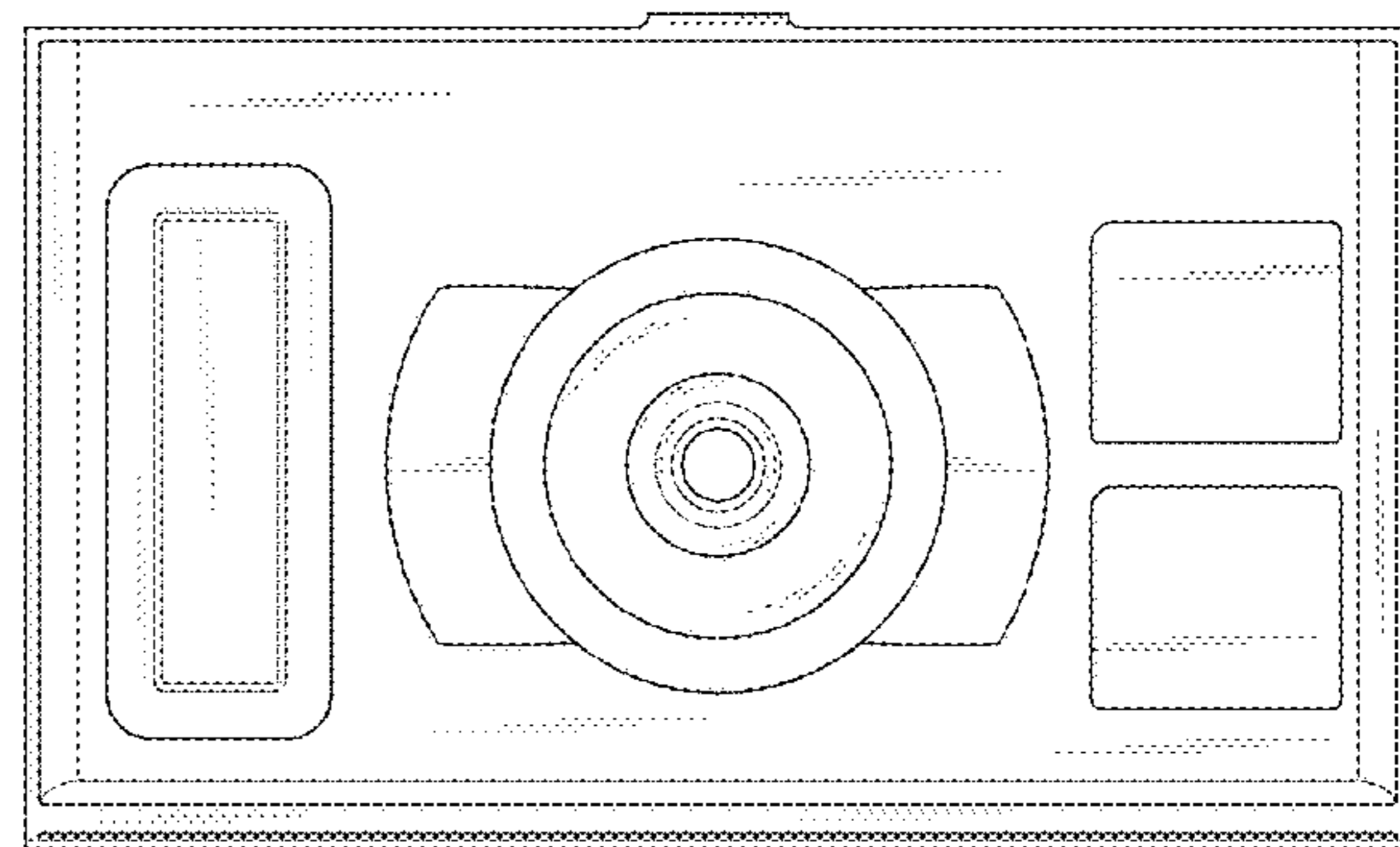
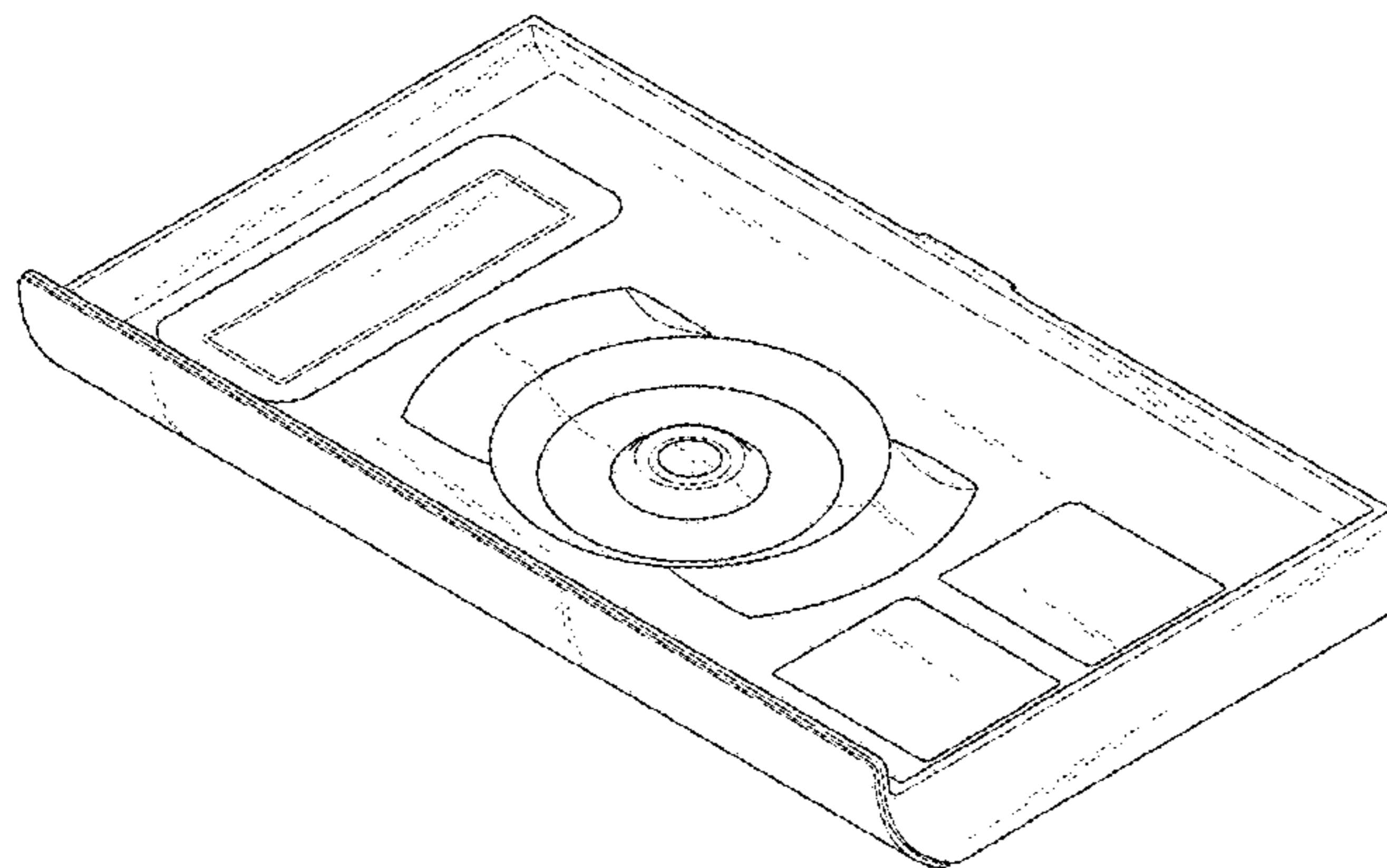
(52) **U.S. Cl.**  
USPC ..... **D13/107**

**DESCRIPTION**

(58) **Field of Classification Search**  
USPC ..... D13/103, 107–110, 118, 119, 184, 199;  
D14/251, 253, 432, 434  
CPC ..... Y02E 60/12; H02J 7/025; H02J 7/0042;  
H02J 7/0044; H02J 7/0045; H02J 7/0003;  
H02J 7/0027; H02J 7/0013; H02J 7/0054;  
H02J 7/00; H02J 3/32; H02J 3/008; H02J  
2001/008; H01F 38/14; H01R 13/6675;  
H01M 2/1022; H01M 2/1055; H01M  
10/44; H01M 10/46; H01M 10/425;

FIG. 1 is a perspective view of a charging storage case for  
bed mattress sterilizer showing the new design;  
FIG. 2 is a front elevation view thereof;  
FIG. 3 is a rear elevation view thereof;  
FIG. 4 is a left side elevation view thereof;  
FIG. 5 is a right side elevation view thereof;  
FIG. 6 is a top plan view thereof;  
FIG. 7 is a bottom plan view thereof;  
FIG. 8 is a perspective view thereof, shown in a state of use;  
and,  
FIG. 9 is another perspective view thereof, shown in another  
state of use.

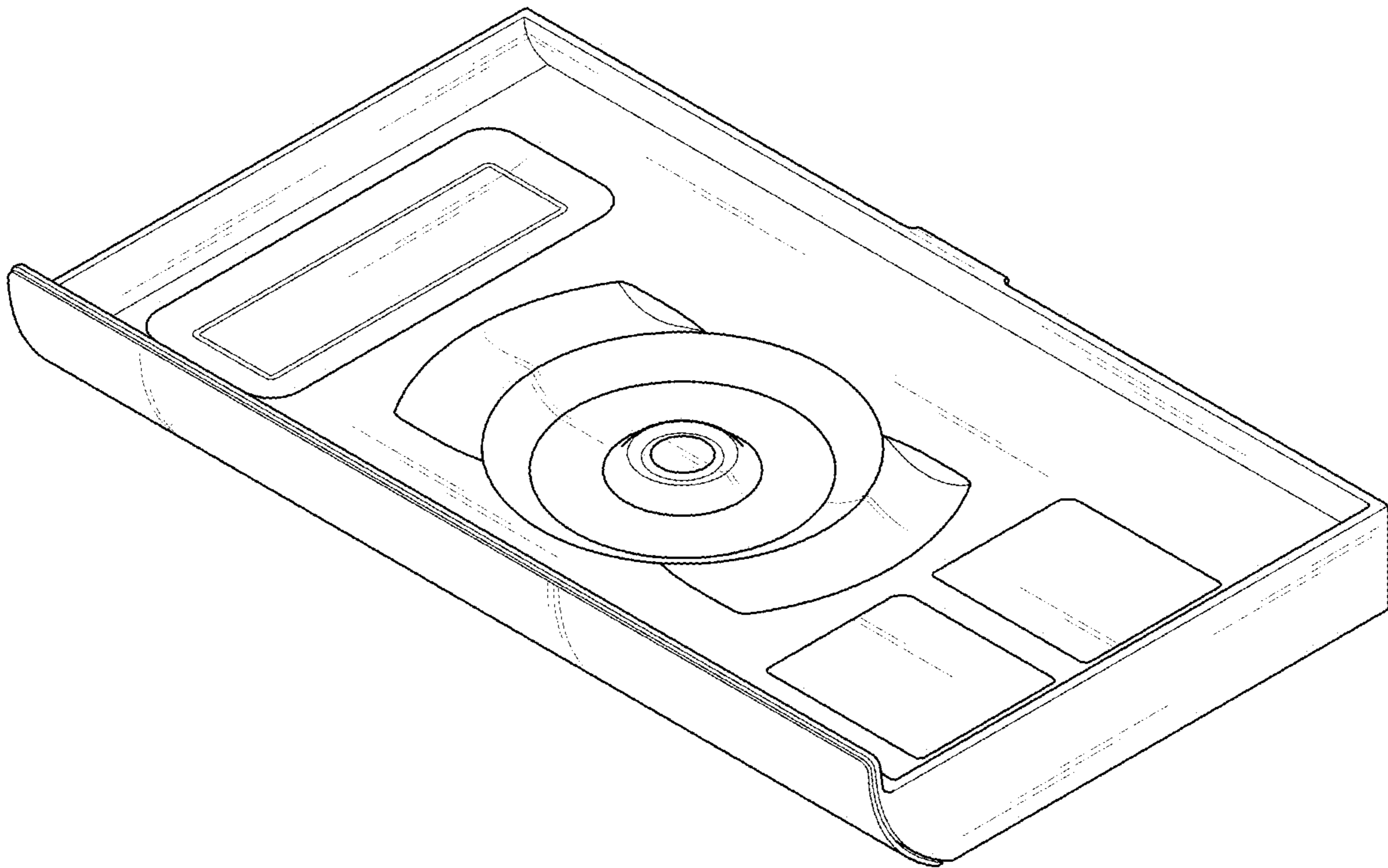
(Continued)



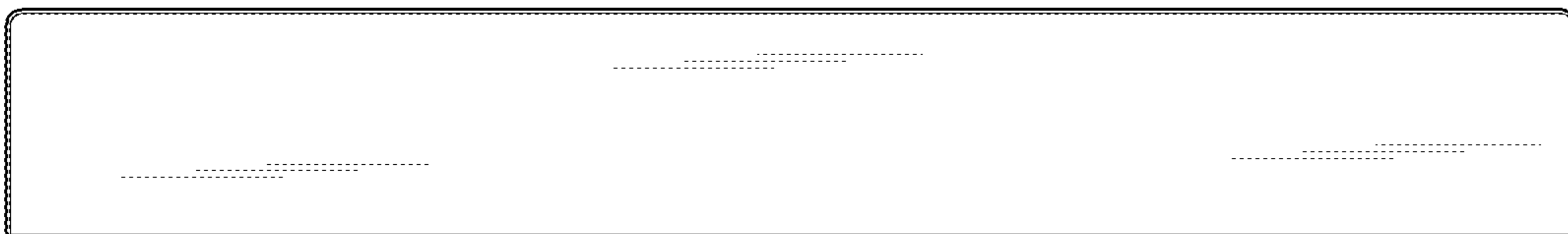
The broken lines in the drawings illustrate environmental subject matter and portions of the article that form no part of the claimed design.

**1 Claim, 9 Drawing Sheets**

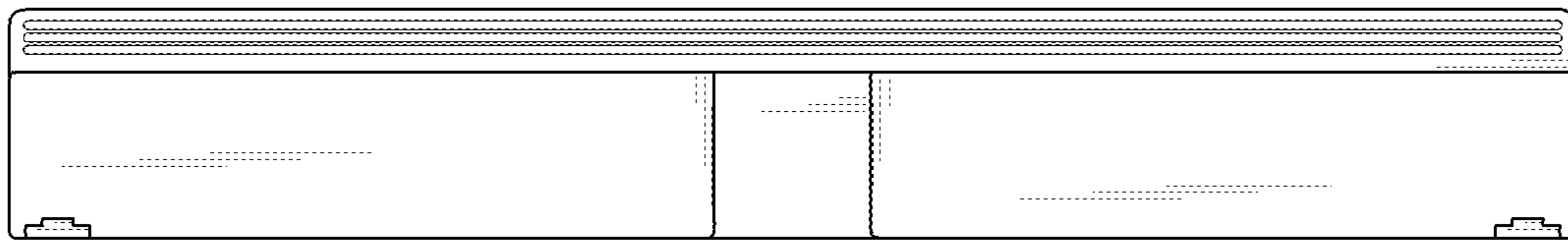
*FIG. 1*



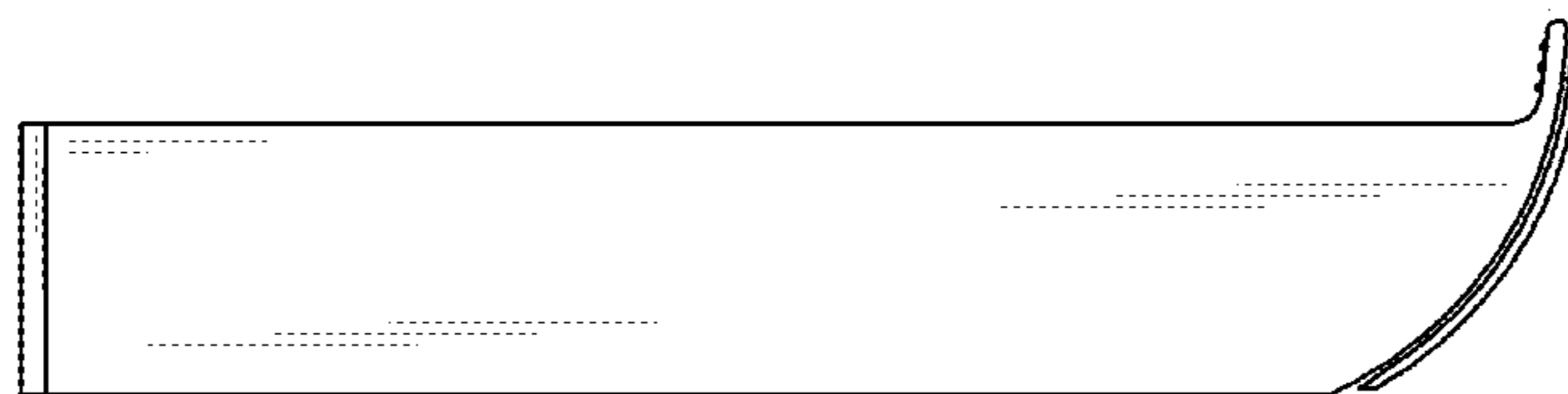
*FIG. 2*



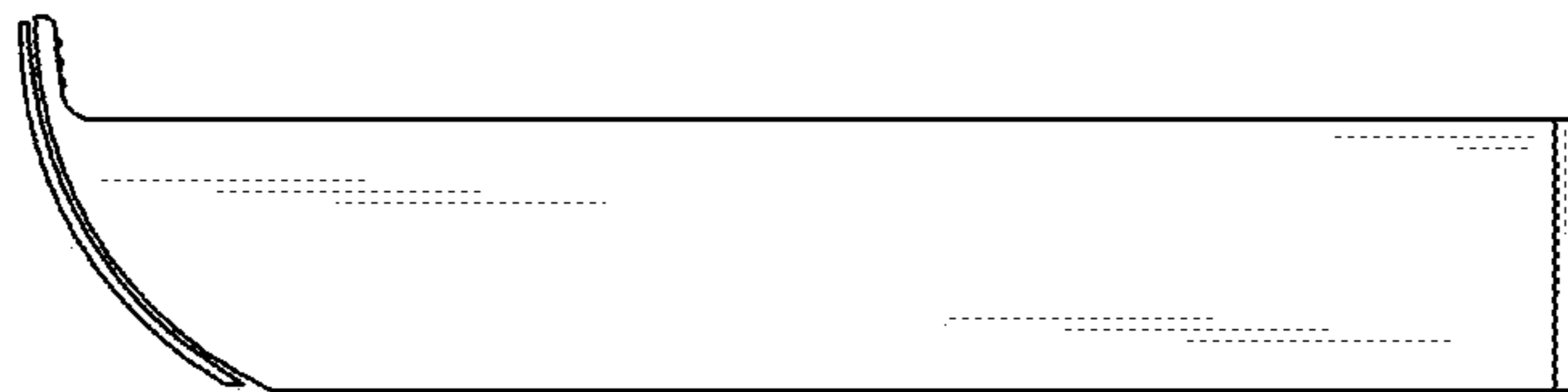
*FIG. 3*



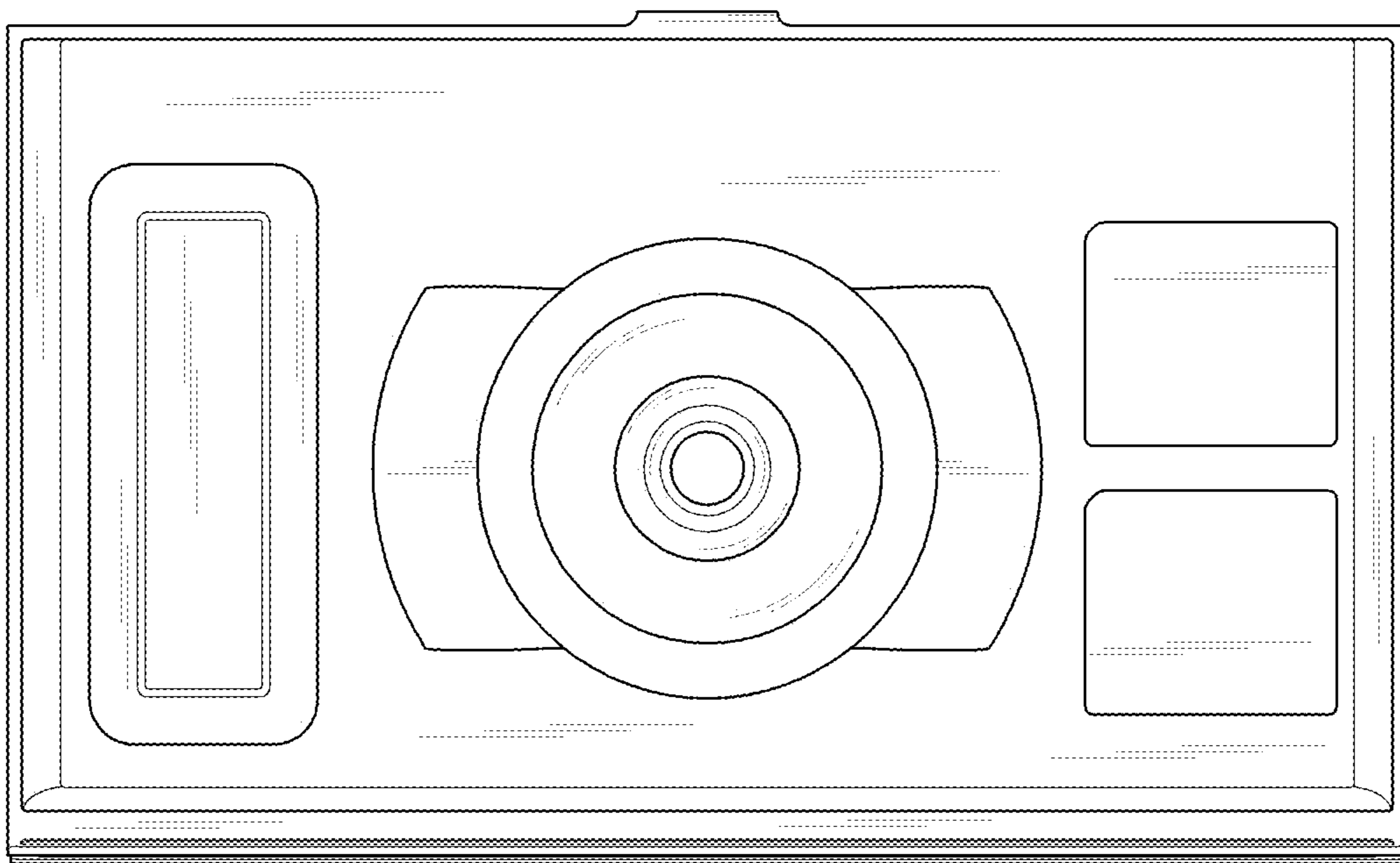
*FIG. 4*



*FIG. 5*

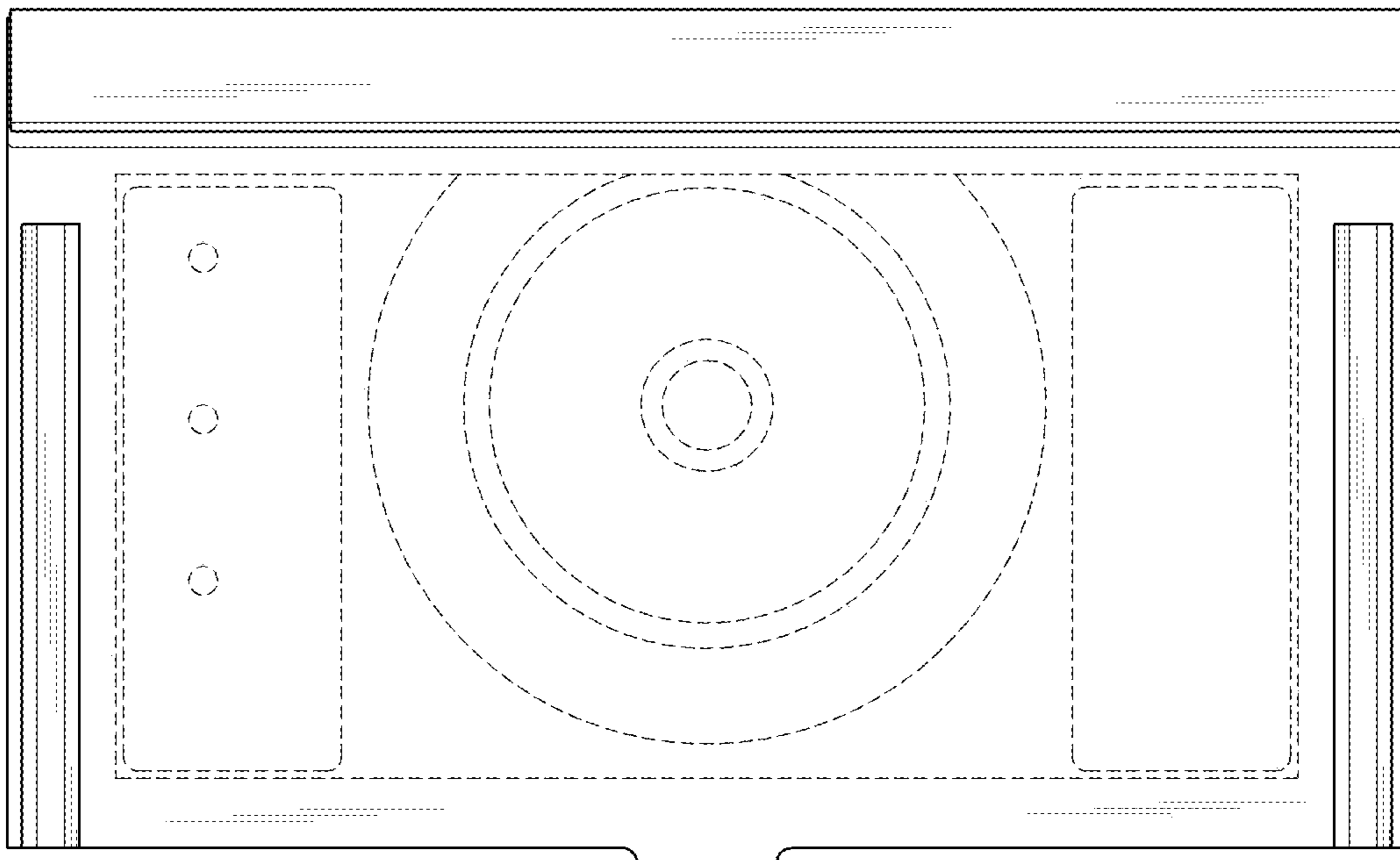


*FIG. 6*

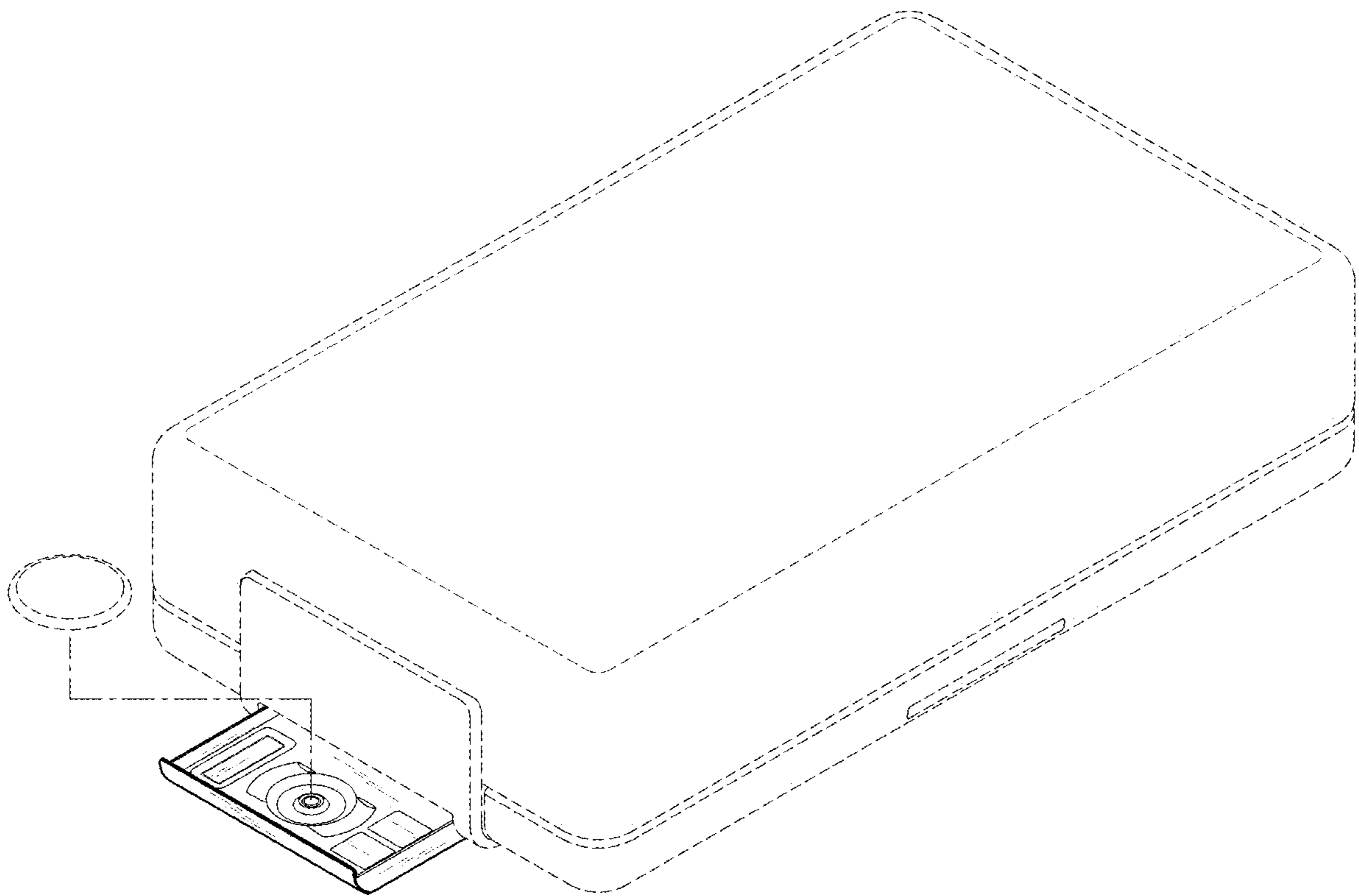




*FIG. 7*



*FIG. 8*



*FIG. 9*

