



US00D943514S

(12) **United States Design Patent**
May et al.

(10) **Patent No.:** **US D943,514 S**

(45) **Date of Patent:** **** Feb. 15, 2022**

(54) **CHARGER**

(71) Applicant: **Quip NYC Inc.**, Brooklyn, NY (US)

(72) Inventors: **William Thomas May**, Summit, NJ (US); **Simon Enever**, New York, NY (US); **Jonathan Fratti**, Brooklyn, NY (US); **James Krause**, Brooklyn, NY (US); **Paul Koh**, Brooklyn, NY (US); **Maxwell Wood-Lee**, Brooklyn, NY (US)

(73) Assignee: **Quip NYC Inc.**, Brooklyn, NY (US)

(**) Term: **15 Years**

(21) Appl. No.: **29/724,800**

(22) Filed: **Feb. 19, 2020**

(51) **LOC (13) Cl.** **13-02**

(52) **U.S. Cl.**
USPC **D13/107; D13/102; D3/298**

(58) **Field of Classification Search**
USPC D13/102, 103, 107, 108, 118, 119, 184;
D3/201, 208, 218, 273, 274, 294, 295,
D3/296, 298; D9/414, 420, 423, 430;
D14/223, 251, 432
CPC .. H02J 7/0044; A45C 2011/001; B65D 43/16;
H04R 1/1025
See application file for complete search history.

(56) **References Cited**

U.S. PATENT DOCUMENTS

D223,314 S	*	4/1972	Goldfeder	D3/200
D363,055 S	*	10/1995	Kobayashi	D13/103
D562,225 S	*	2/2008	Almy	D13/102
D669,432 S	*	10/2012	Park	D13/108
D677,052 S	*	3/2013	Eisenhardt	D3/298
D726,154 S	*	4/2015	Chang	D14/215
D749,509 S	*	2/2016	Blau	D13/108
D829,168 S	*	9/2018	Massee	D13/108
D829,648 S	*	10/2018	Chen	D13/107

(Continued)

OTHER PUBLICATIONS

“Quip Solar Battery Charger”. Found online Jul. 14, 2021 at getquip.com. Reference dated Jul. 14, 2021. Retrieved from https://www.getquip.com/store/products/solar-battery-charger. (Year: 2021).*

(Continued)

Primary Examiner — Kendra Leslie Hamilton
Assistant Examiner — Amanda Christensen
(74) *Attorney, Agent, or Firm* — The Marbury Law Group, PLLC

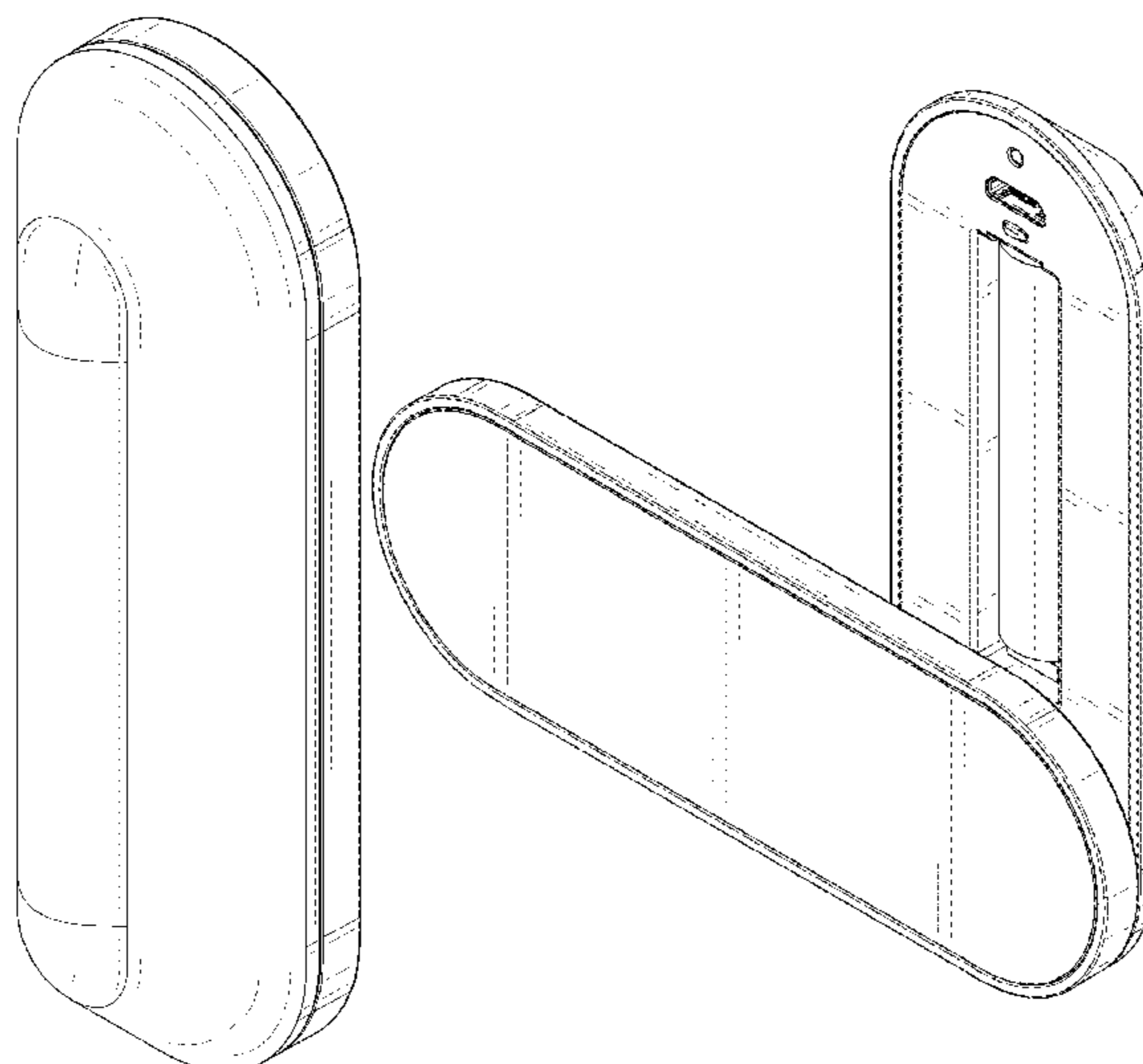
(57) **CLAIM**

The ornamental design for a charger, as shown and described.

DESCRIPTION

FIG. 1 is a top, front, right side perspective view of a charger, shown closed in a first configuration;
FIG. 2 is a bottom, back, right side perspective view thereof;
FIG. 3 is a front view thereof;
FIG. 4 is a back view thereof;
FIG. 5 is a bottom view thereof;
FIG. 6 is a top view thereof;
FIG. 7 is a left side view thereof;
FIG. 8 is a right side view thereof;
FIG. 9 is a top, front, right side perspective view of the charger of FIG. 1, shown in a second configuration;
FIG. 10 is a bottom, back, right side perspective view thereof;
FIG. 11 is a front view thereof;
FIG. 12 is a back view thereof;
FIG. 13 is a bottom view thereof;
FIG. 14 is a top view thereof;
FIG. 15 is left side view thereof; and,
FIG. 16 is a right side view thereof.

1 Claim, 16 Drawing Sheets



(56)

References Cited

U.S. PATENT DOCUMENTS

D873,212 S * 1/2020 Chang D13/107
2014/0150189 A1* 6/2014 Shigeno A61C 17/224
15/22.1
2017/0229890 A1* 8/2017 Lu H02J 7/0042
2019/0190287 A1* 6/2019 Vail H04M 1/04

OTHER PUBLICATIONS

“Travel Charging Case with UV Sanitizer”. Found online Jul. 14, 2021 at amazon.in. Reference dated Sep. 23, 2016. Retrieved from <https://www.amazon.in/Travel-Charging-Case-UV-Sanitizer/dp/B00U7QOXVO>. (Year: 2016).*

“Philips Sonicare Travel Case”. Found online Jul. 16, 2021 at amazon.com. Reference dated Jul. 18, 2016. Retrieved from https://www.amazon.com/Philips-Sonicare-Travel-HX1000-01/dp/B019FWRV9Q/ref=asc_df_B019FWRV9Q/. (Year: 2016).*

* cited by examiner

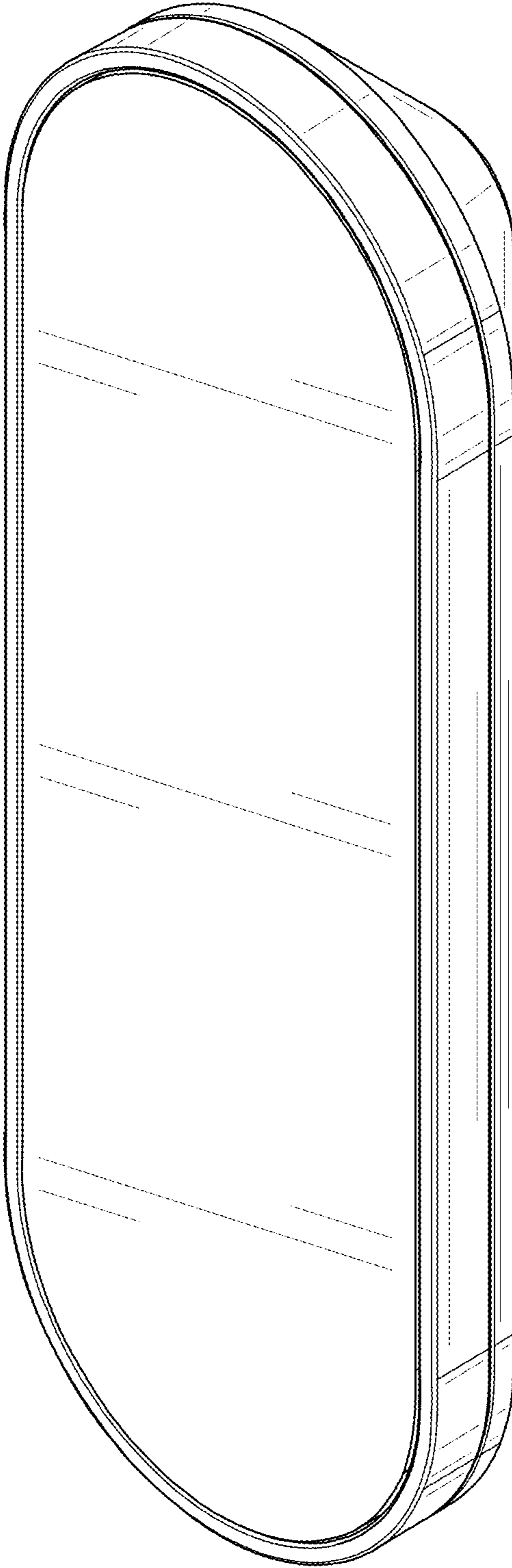


FIG. 1

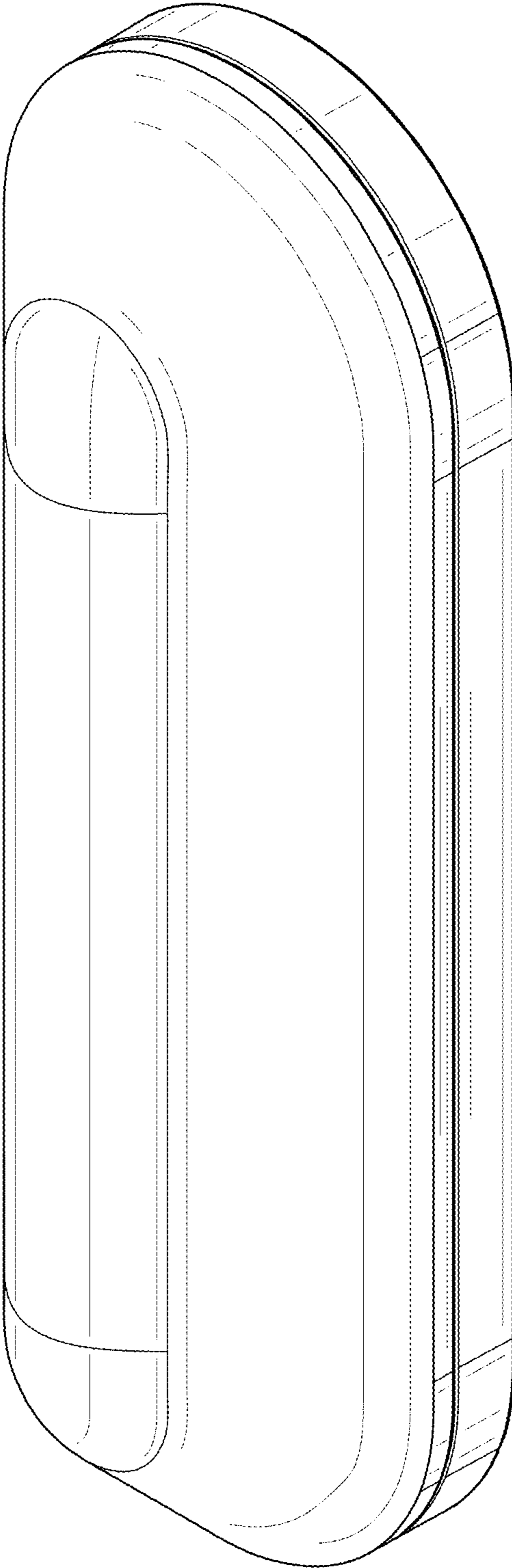


FIG. 2

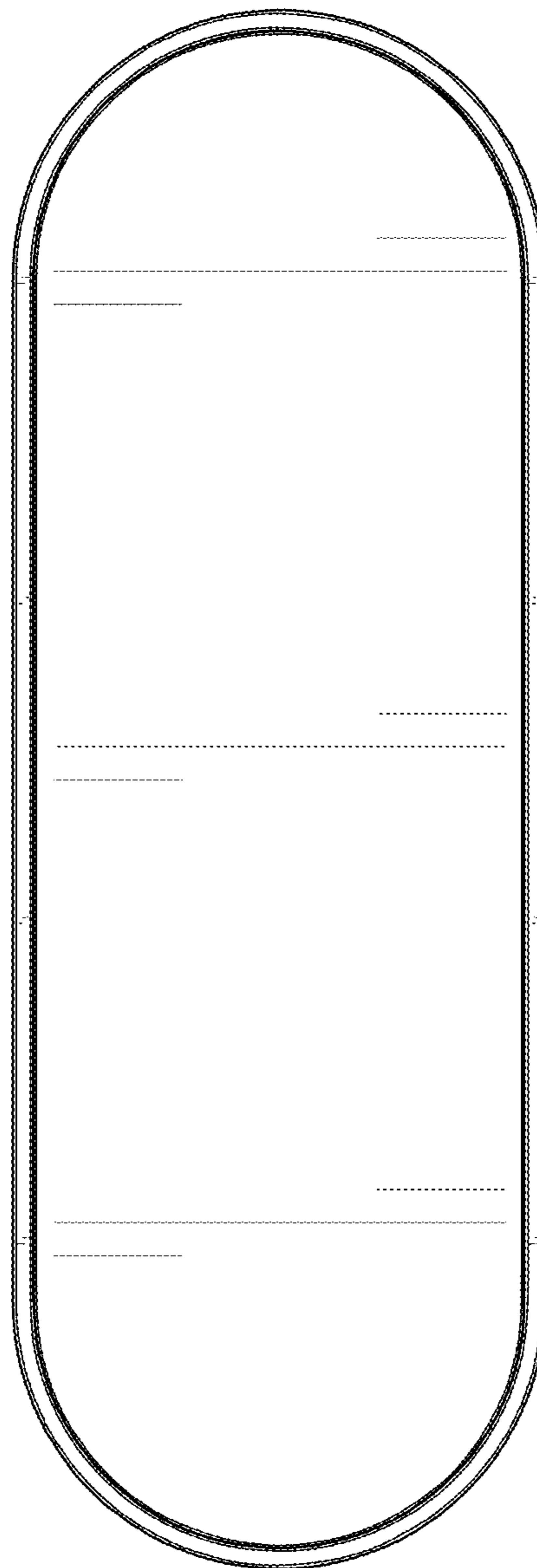


FIG. 3

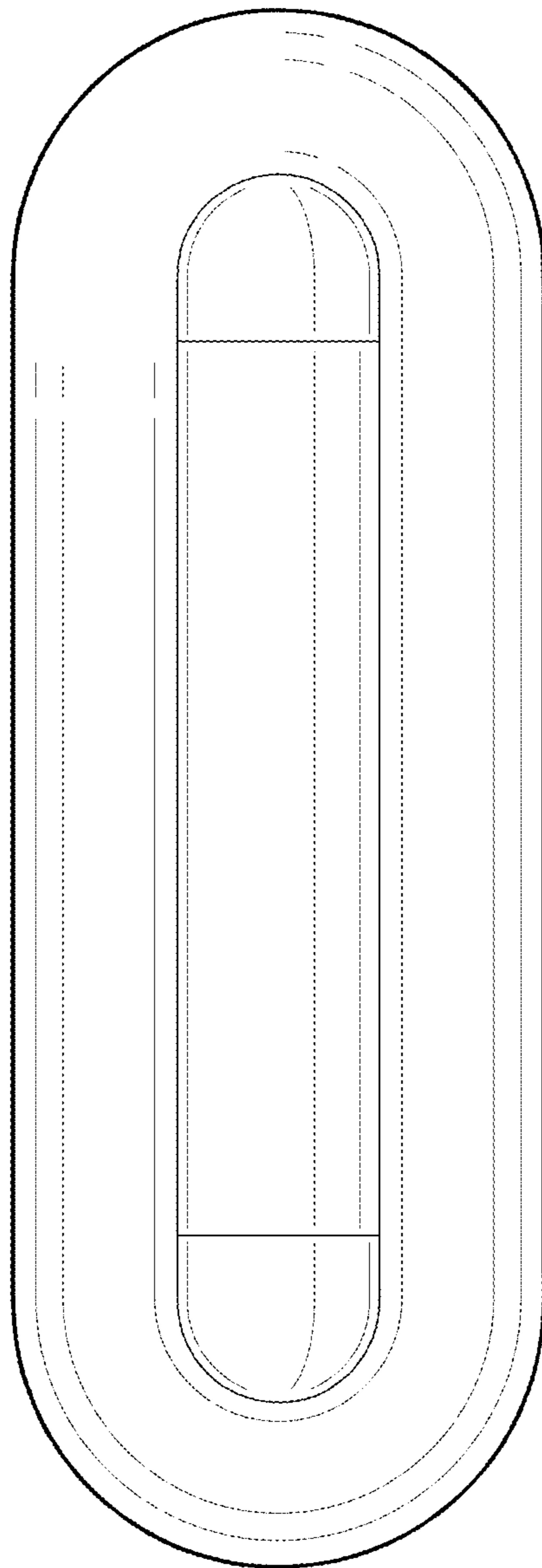


FIG. 4

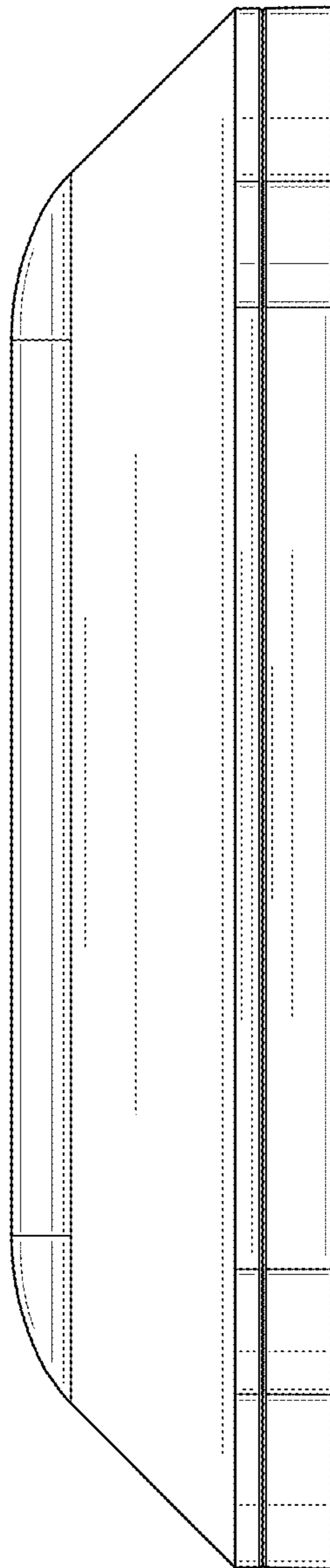


FIG. 5

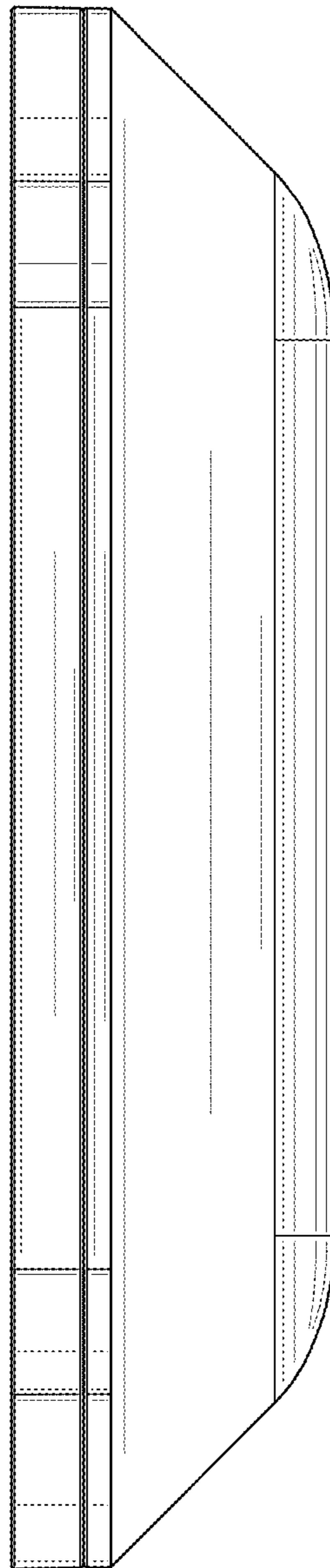


FIG. 6

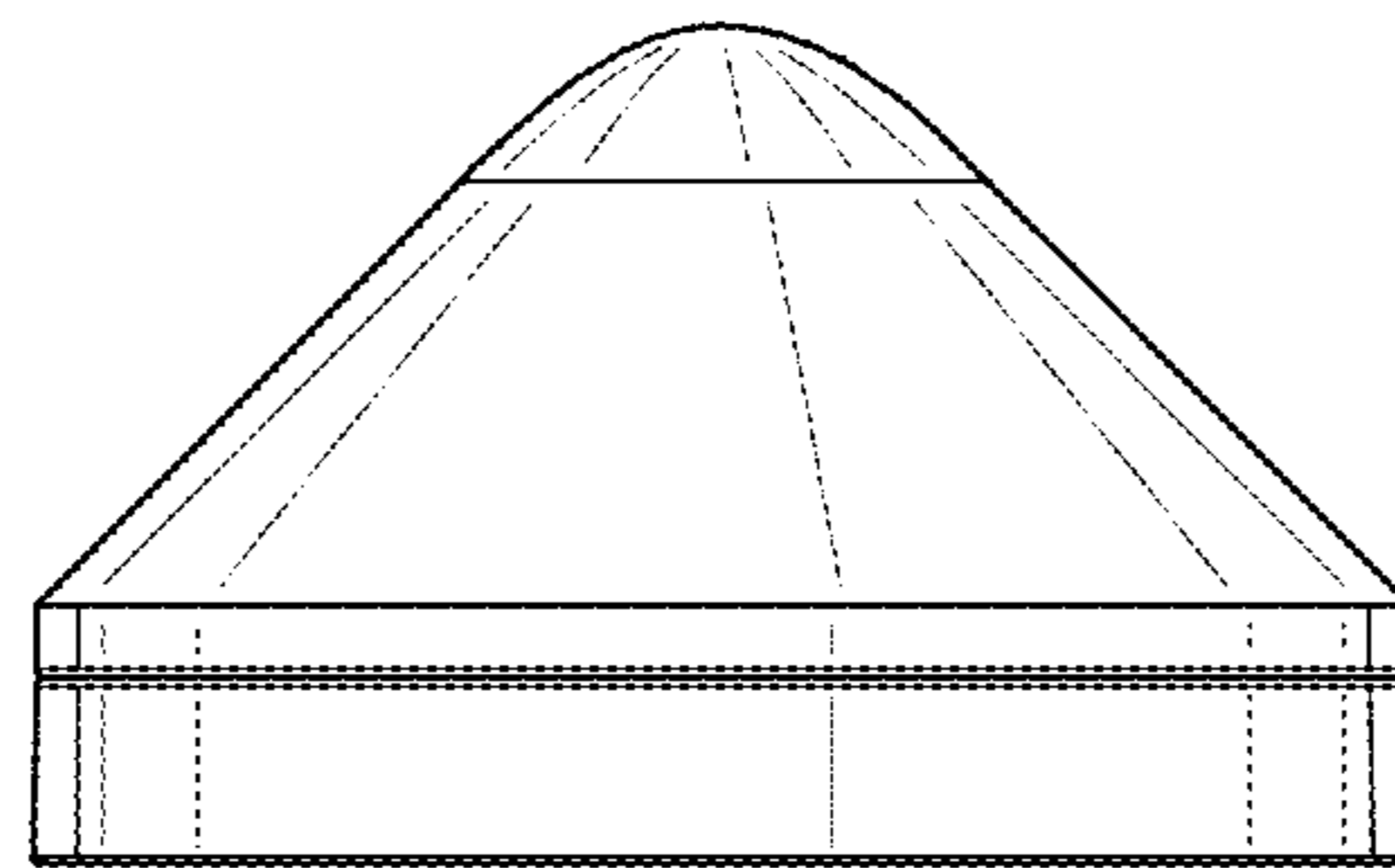


FIG. 7

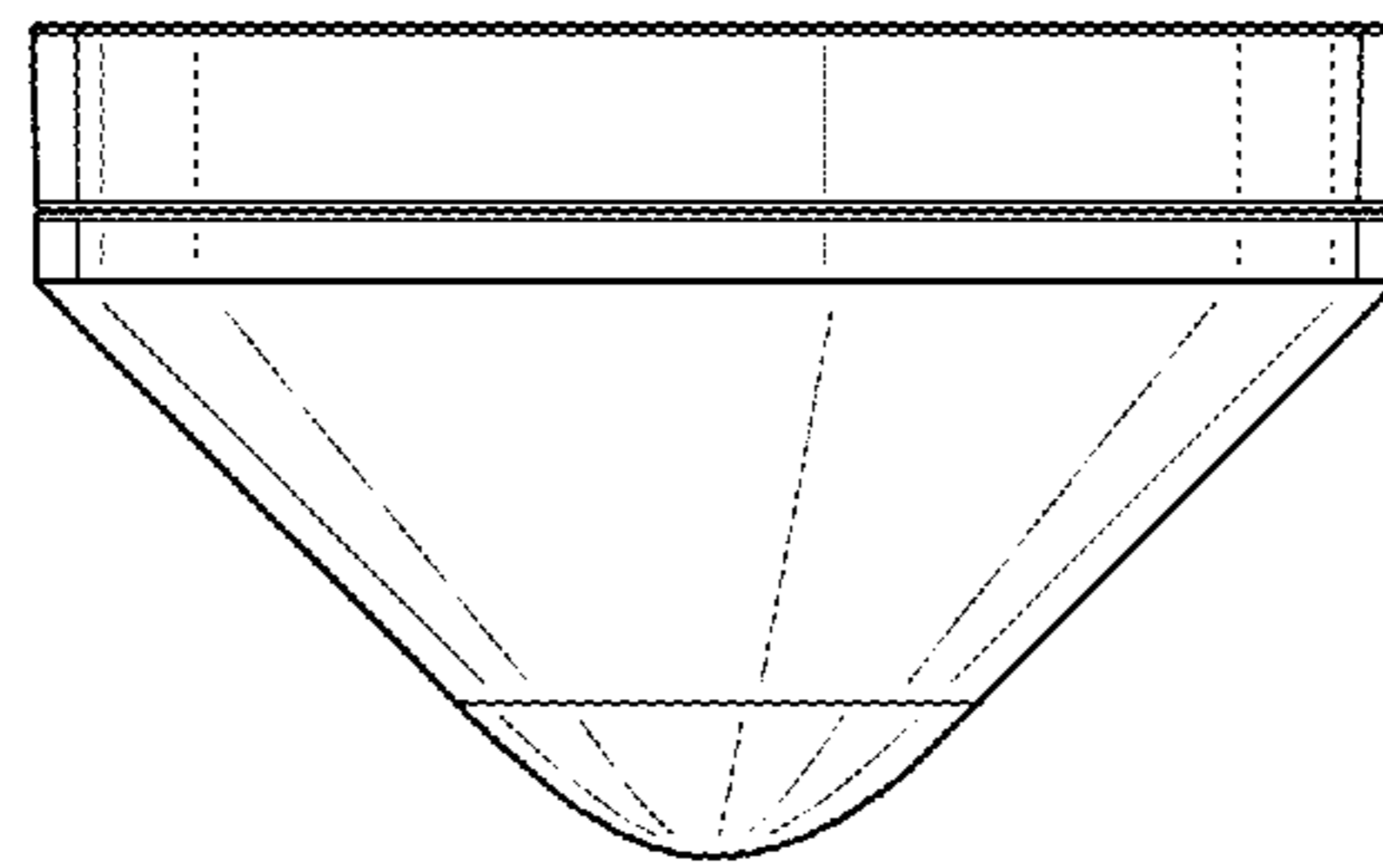


FIG. 8

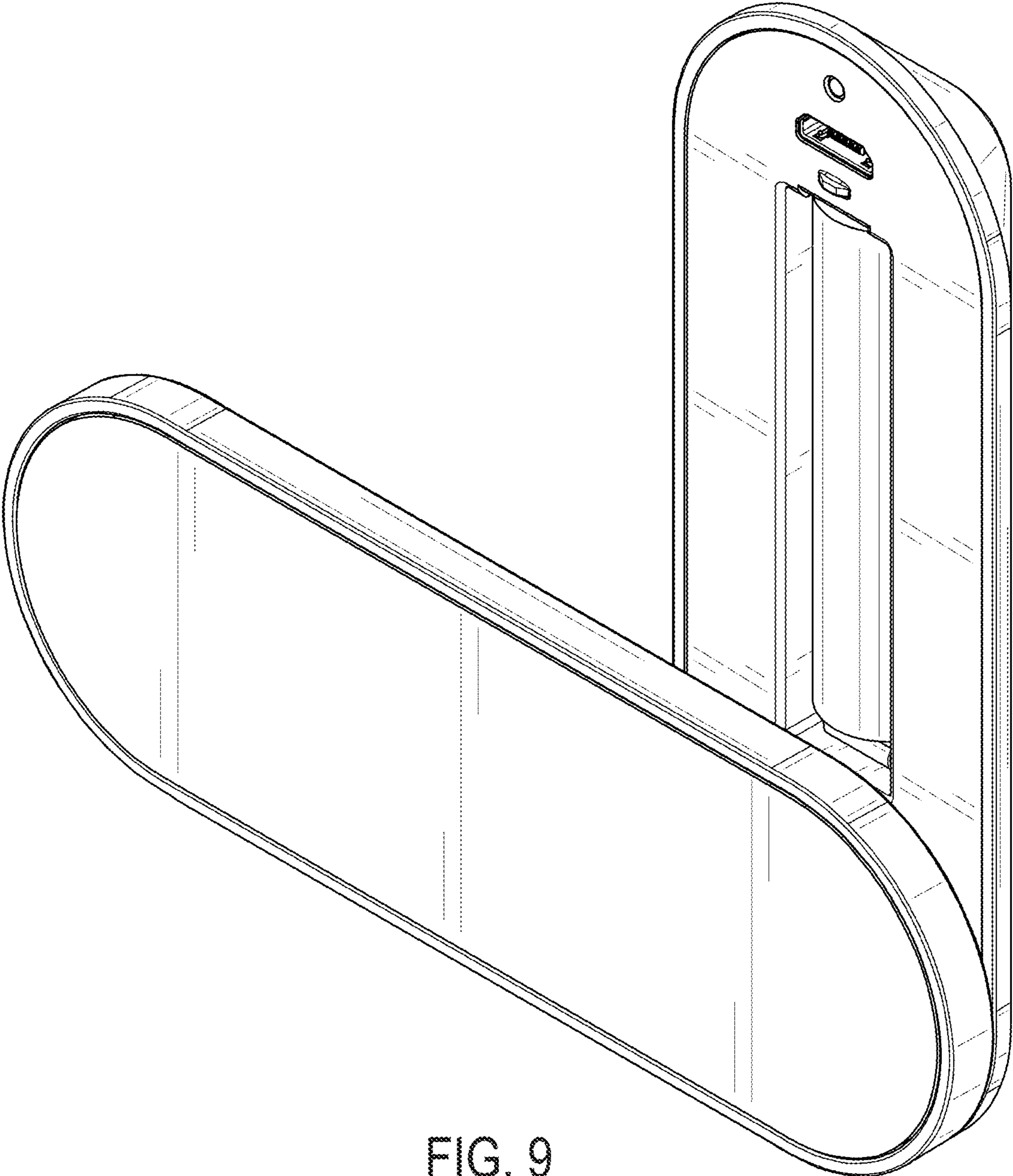


FIG. 9

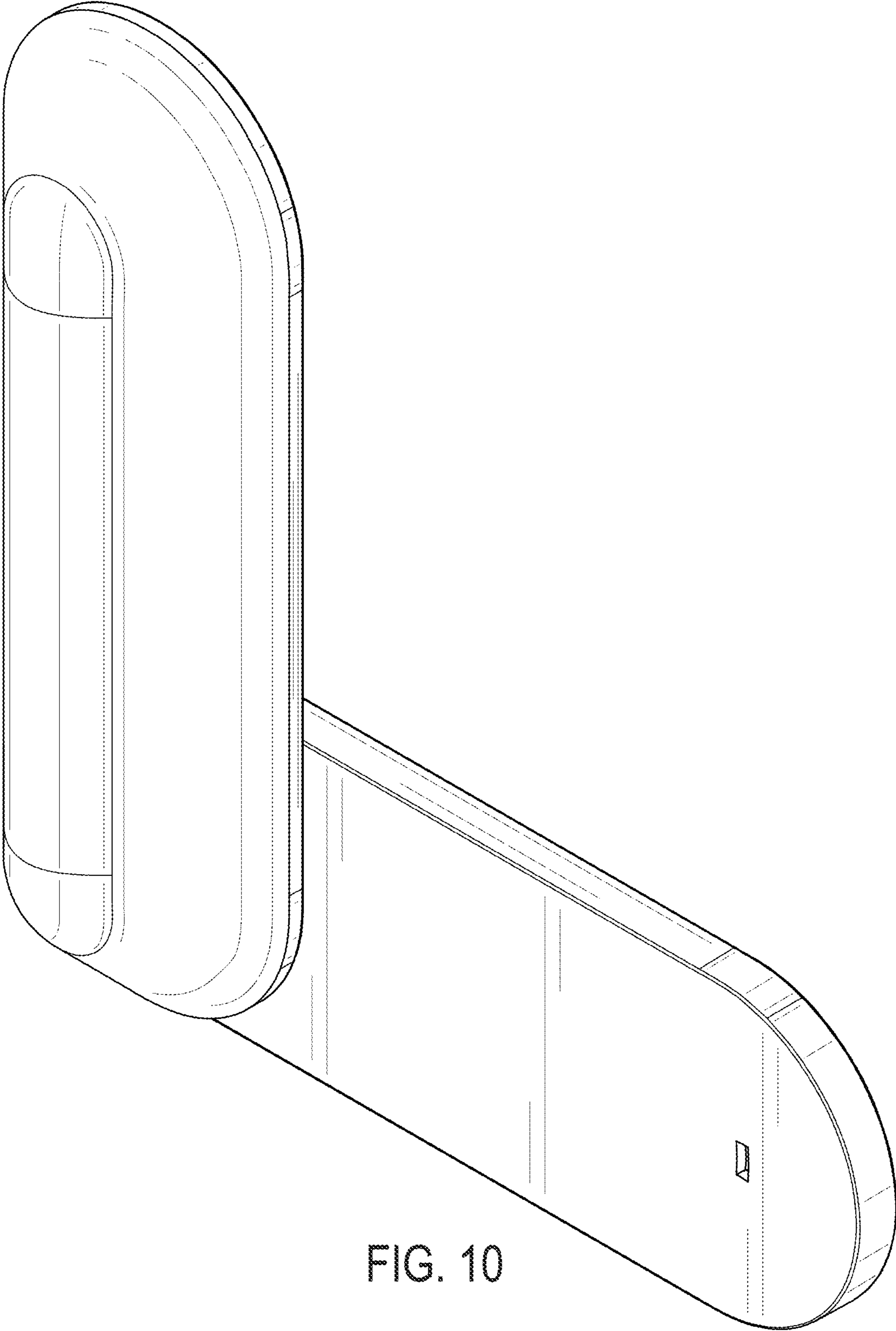


FIG. 10

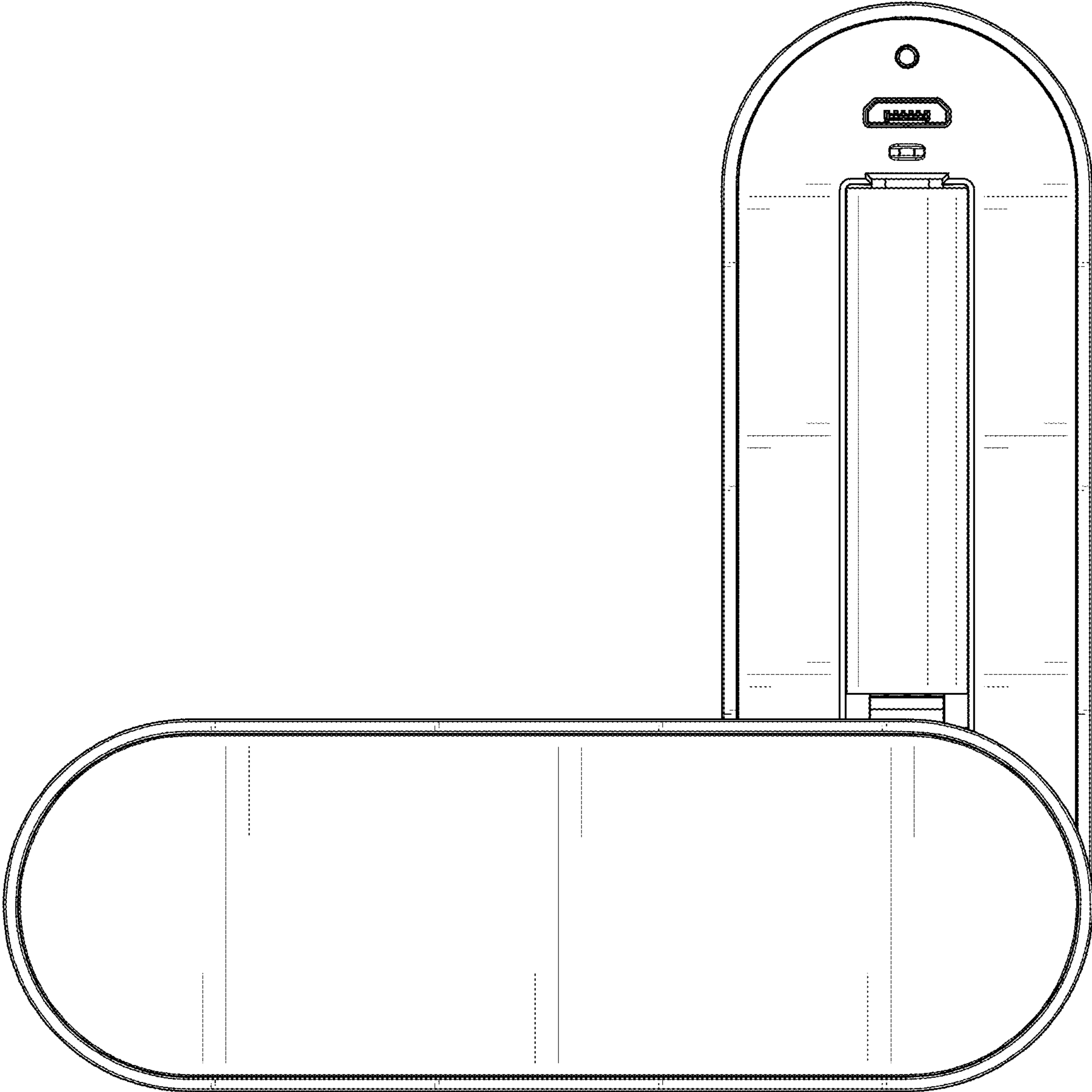


FIG. 11

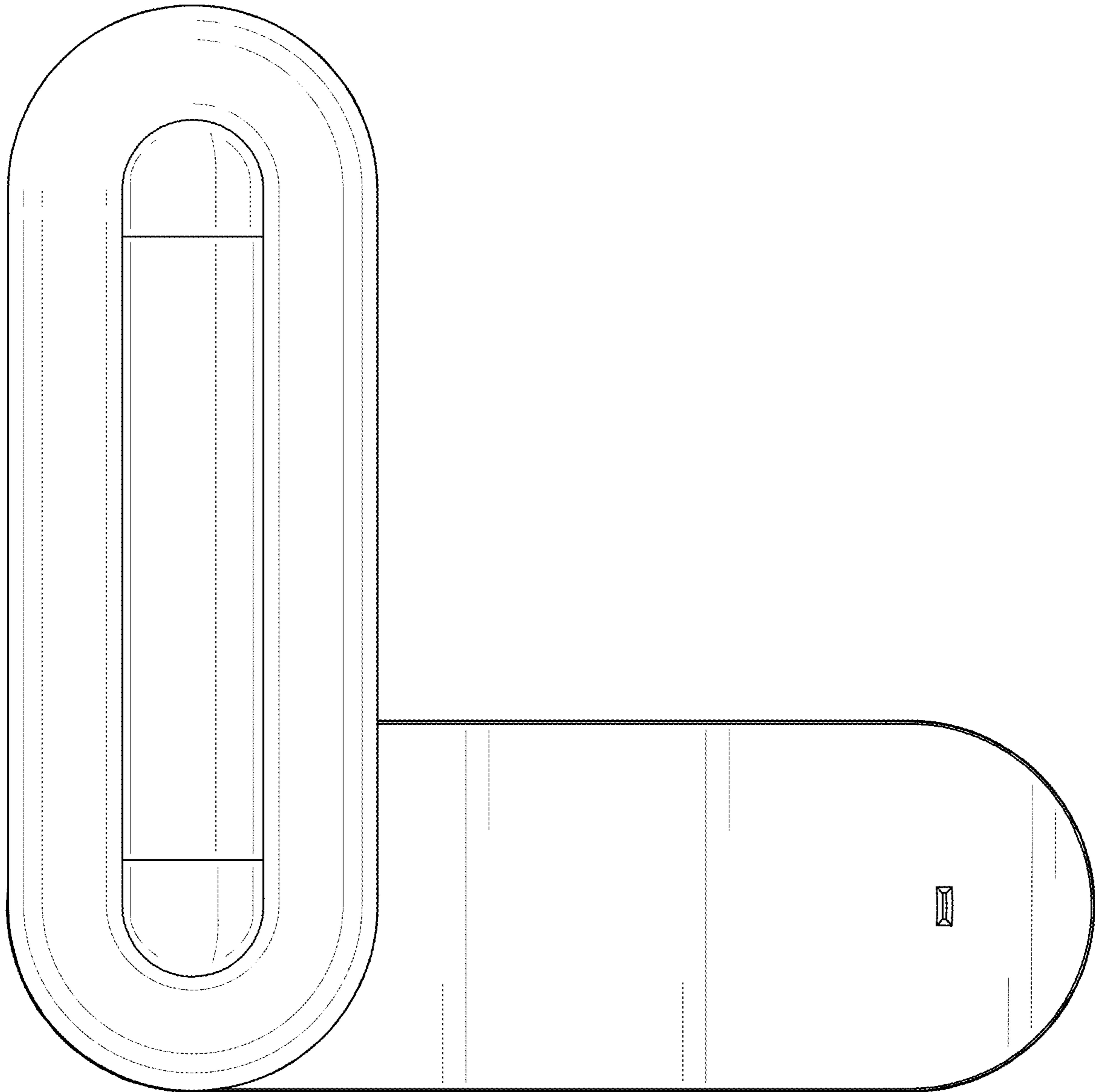


FIG. 12

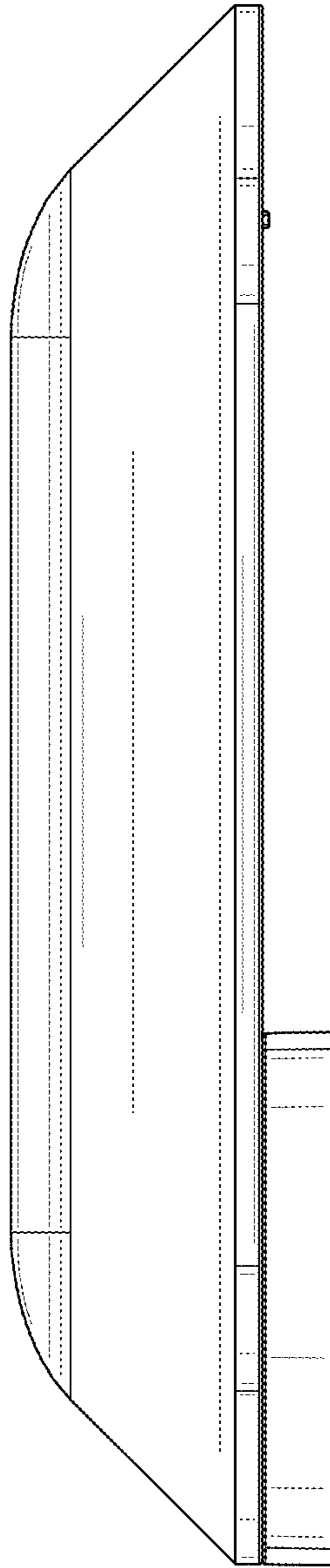


FIG. 13

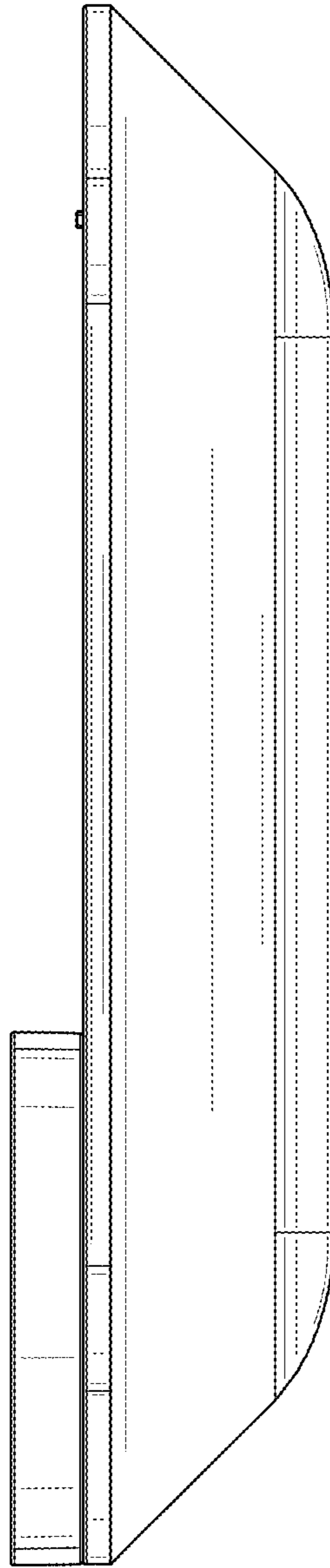


FIG. 14

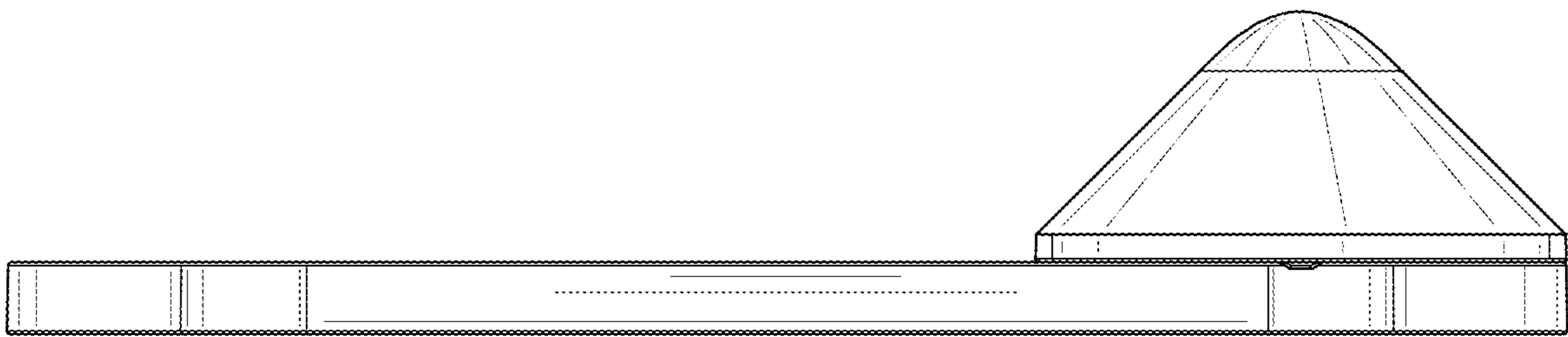


FIG. 15

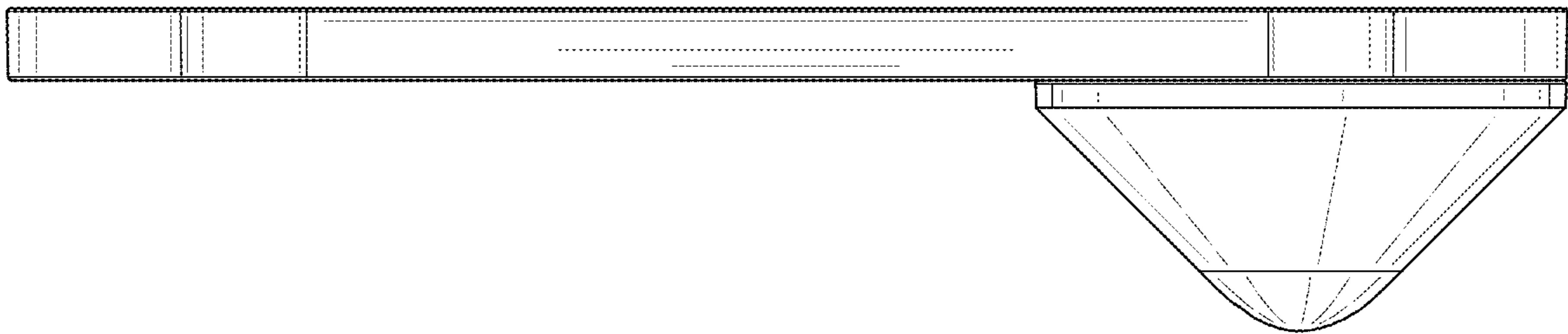


FIG. 16