



US00D943511S

(12) **United States Design Patent** (10) **Patent No.:** **US D943,511 S**  
**Liu** (45) **Date of Patent:** **\*\* Feb. 15, 2022**

(54) **BATTERY FOR ELECTRONIC CIGARETTES**

(56) **References Cited**

(71) Applicant: **Tuanfang Liu**, Shenzhen (CN)

U.S. PATENT DOCUMENTS

(72) Inventor: **Tuanfang Liu**, Shenzhen (CN)

D646,431 S *	10/2011	Awty .....	D27/194
D655,036 S *	2/2012	Zhou .....	D27/101
D664,498 S *	7/2012	Liu .....	D13/103
D664,920 S *	8/2012	Huang .....	D13/107
D720,688 S *	1/2015	Popper .....	D13/103
D723,732 S *	3/2015	Alima .....	D27/167
D724,265 S *	3/2015	Alima .....	D27/167
D740,221 S *	10/2015	Popper .....	D13/103
D743,622 S *	11/2015	Alima .....	D27/167
D756,908 S *	5/2016	Chung .....	D13/103
D809,346 S *	2/2018	Rigbi .....	D7/591
D813,155 S *	3/2018	Yamada .....	D13/103

(73) Assignee: **SHENZHEN EIGATE TECHNOLOGY CO., LTD.**, Shenzhen (CN)

(\*\*) Term: **15 Years**

(Continued)

(21) Appl. No.: **29/734,730**

(22) Filed: **May 15, 2020**

*Primary Examiner* — Marissa J Cash

(51) **LOC (13) Cl.** ..... **13-02**

*Assistant Examiner* — William B Melliar

(52) **U.S. Cl.**

USPC ..... **D13/103; D27/162**

(74) *Attorney, Agent, or Firm* — Matthias Scholl P.C.; Matthias Scholl

(58) **Field of Classification Search**

USPC ..... D27/100, 101, 162, 163, 164, 165, 166, D27/167, 168, 169, 170, 171, 172, 173, D27/174, 175, 176, 177, 178, 179, 180, D27/181, 182, 183, 184, 185, 186, 187, D27/188, 189, 190, 191, 192, 193, 194, D27/196; D28/91.1; D23/360, 362; D24/110, 110.4, 110.5, 110.6, 113; D13/103, 107, 108, 119; D14/240

(57) **CLAIM**

The ornamental design for a battery for electronic cigarettes, as shown and described.

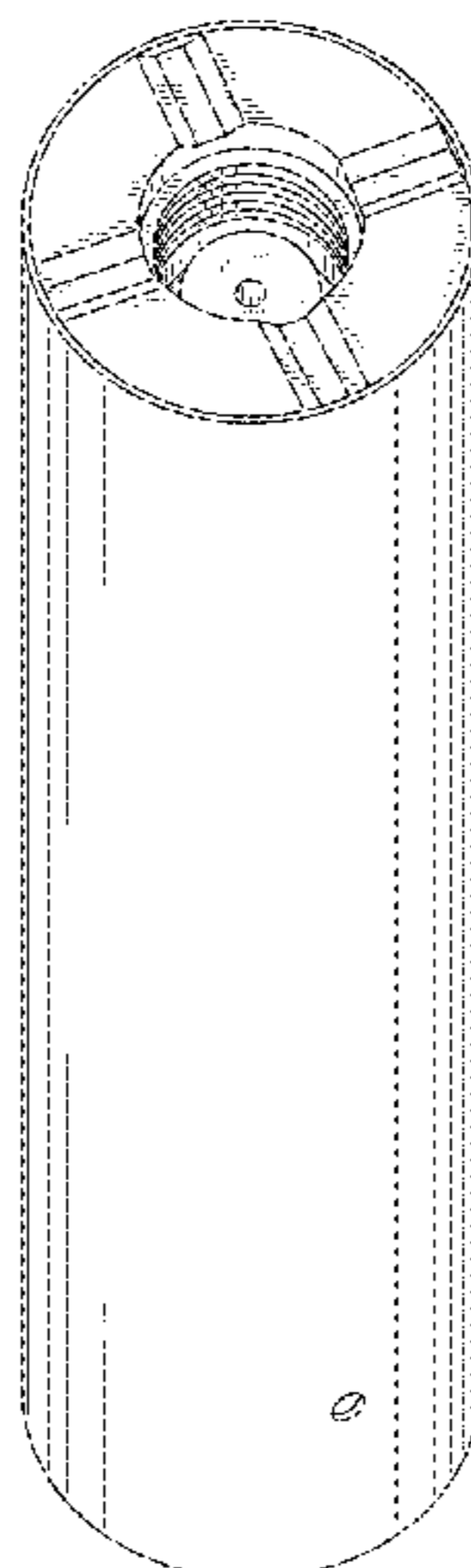
CPC ..... A24F 40/10; A24F 40/40; A24F 40/46; A24F 47/008; A24F 40/60; A24F 40/70; A24F 40/51; A24F 40/20; A24F 40/05; A24F 40/90; A24F 40/30; A24F 40/95; A24F 40/00; A24F 7/00; A24F 13/00; A24F 13/14; A24F 1/32; A24F 40/49; A24F 42/60; A24F 42/80; A24F 47/002; A24F 7/02; A24F 9/16; A24F 40/42; A24F 40/57; A24F 15/015; A24F 40/465; A24F 1/02; A24F 2700/03; A24F 15/01; A24F 1/28; A24F 40/85; A24F 42/00; A24F 42/10; A24F 42/20; A24F 47/004; A24F 47/006; A24F 7/04; A24F 40/485; A24F 40/44; A24F 40/48; A24F 40/50; A24F 1/00; A24F 47/00; A24F 40/53; A24F 40/65

**DESCRIPTION**

FIG. 1 is a front elevation view of a battery for electronic cigarettes;  
FIG. 2 is a rear elevation view thereof;  
FIG. 3 is a left-side elevation view thereof;  
FIG. 4 is a right-side elevation view thereof;  
FIG. 5 is a top plan view thereof;  
FIG. 6 is a bottom plan view thereof;  
FIG. 7 is a perspective view thereof; and,  
FIG. 8 is a bottom perspective view thereof.  
The broken lines in the drawings depict portions of the battery for electronic cigarettes that form no part of the claimed design.

See application file for complete search history.

**1 Claim, 8 Drawing Sheets**



(56)

**References Cited**

U.S. PATENT DOCUMENTS

D829,369	S	*	9/2018	Stone	.....	D27/101
D829,976	S	*	10/2018	Stone	.....	D27/101
D844,557	S	*	4/2019	Wang	.....	D13/103
D870,659	S	*	12/2019	Liao	.....	D13/108
D874,721	S	*	2/2020	Lai	.....	D27/167
D889,401	S	*	7/2020	Li	.....	D13/108
D908,626	S	*	1/2021	Baker	.....	D13/119
D911,926	S	*	3/2021	Li	.....	D13/103
D914,280	S	*	3/2021	Jones	.....	D27/162
D926,160	S	*	7/2021	Huang	.....	D14/223
2016/0316817	A1	*	11/2016	Liu	.....	A24F 40/40
2020/0367574	A1	*	11/2020	Choi	.....	A24F 40/42

\* cited by examiner

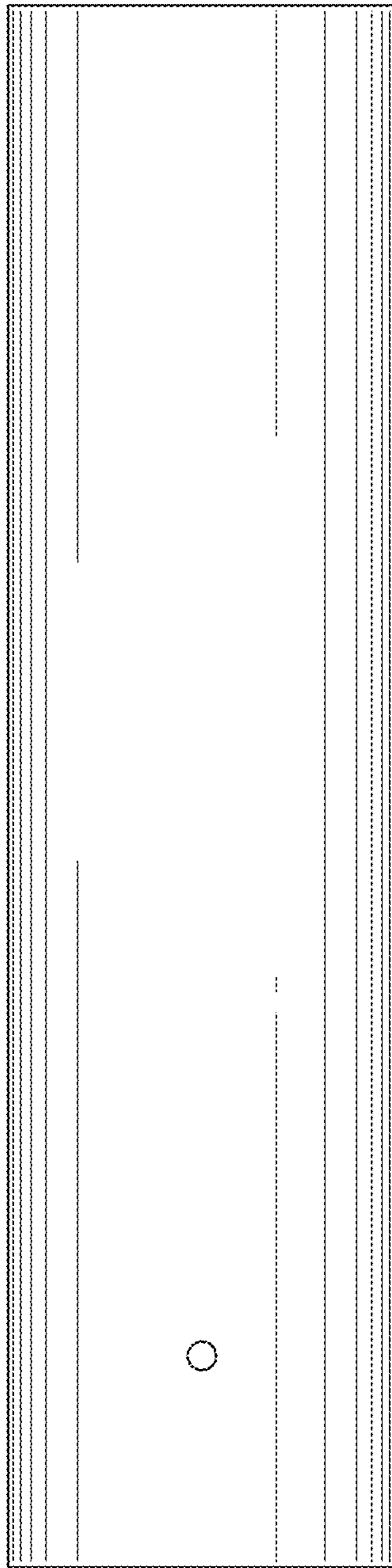


FIG. 1

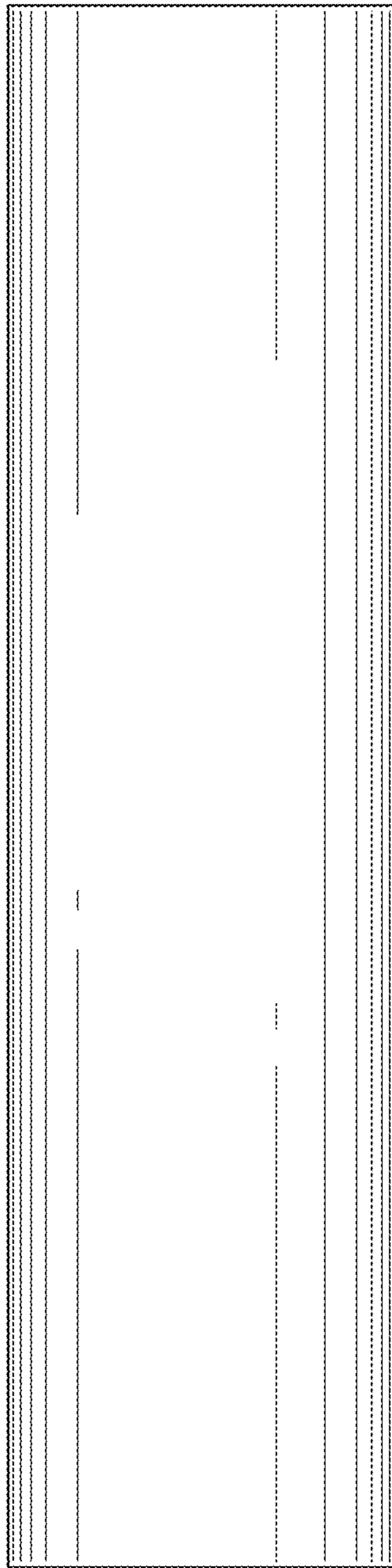


FIG. 2

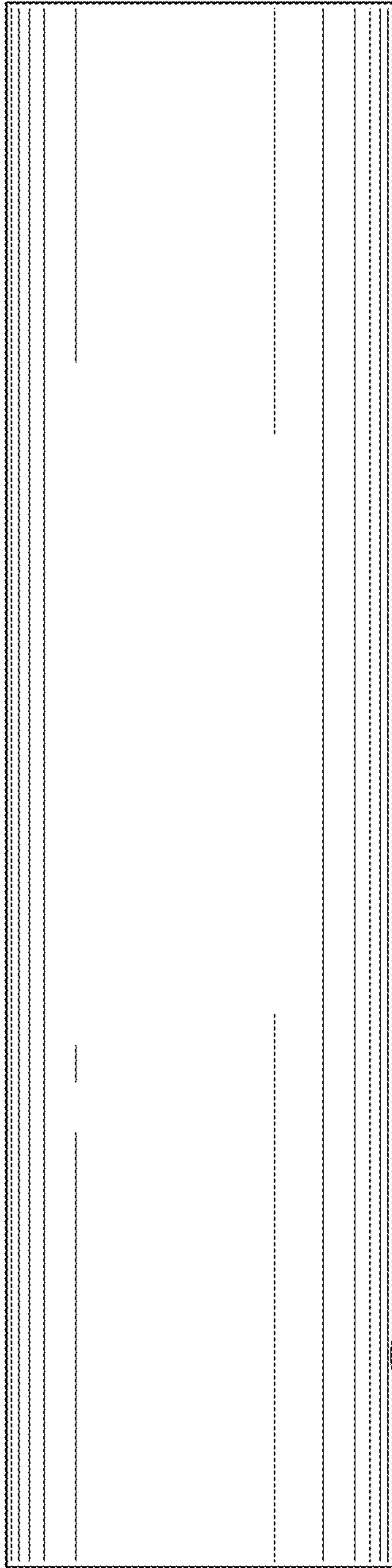


FIG. 3

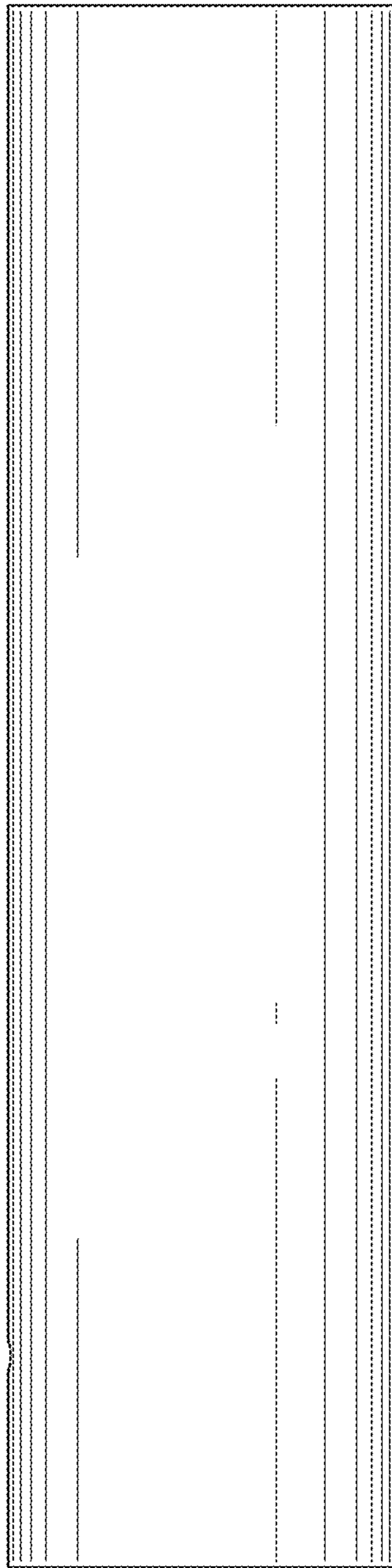


FIG. 4

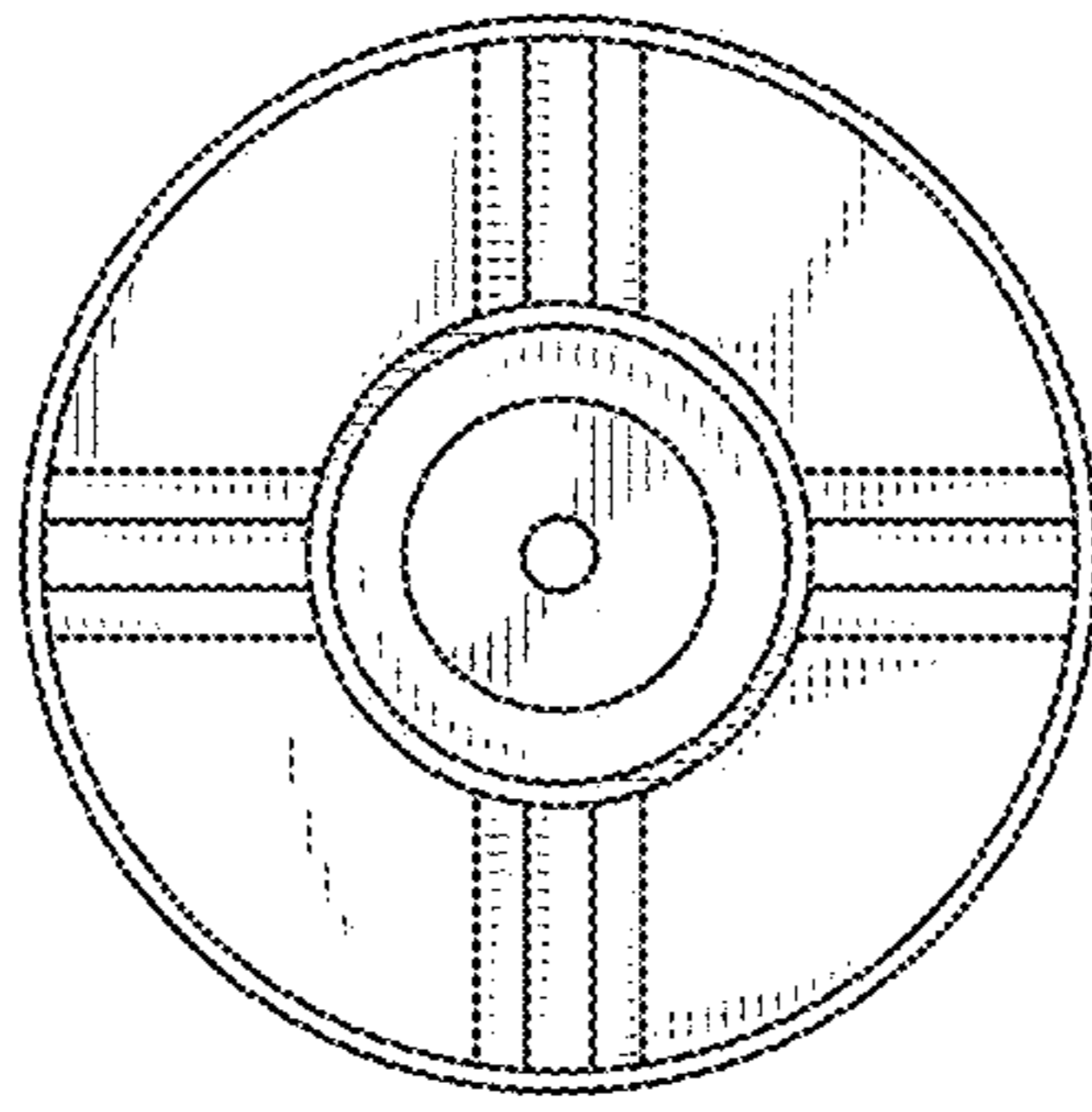
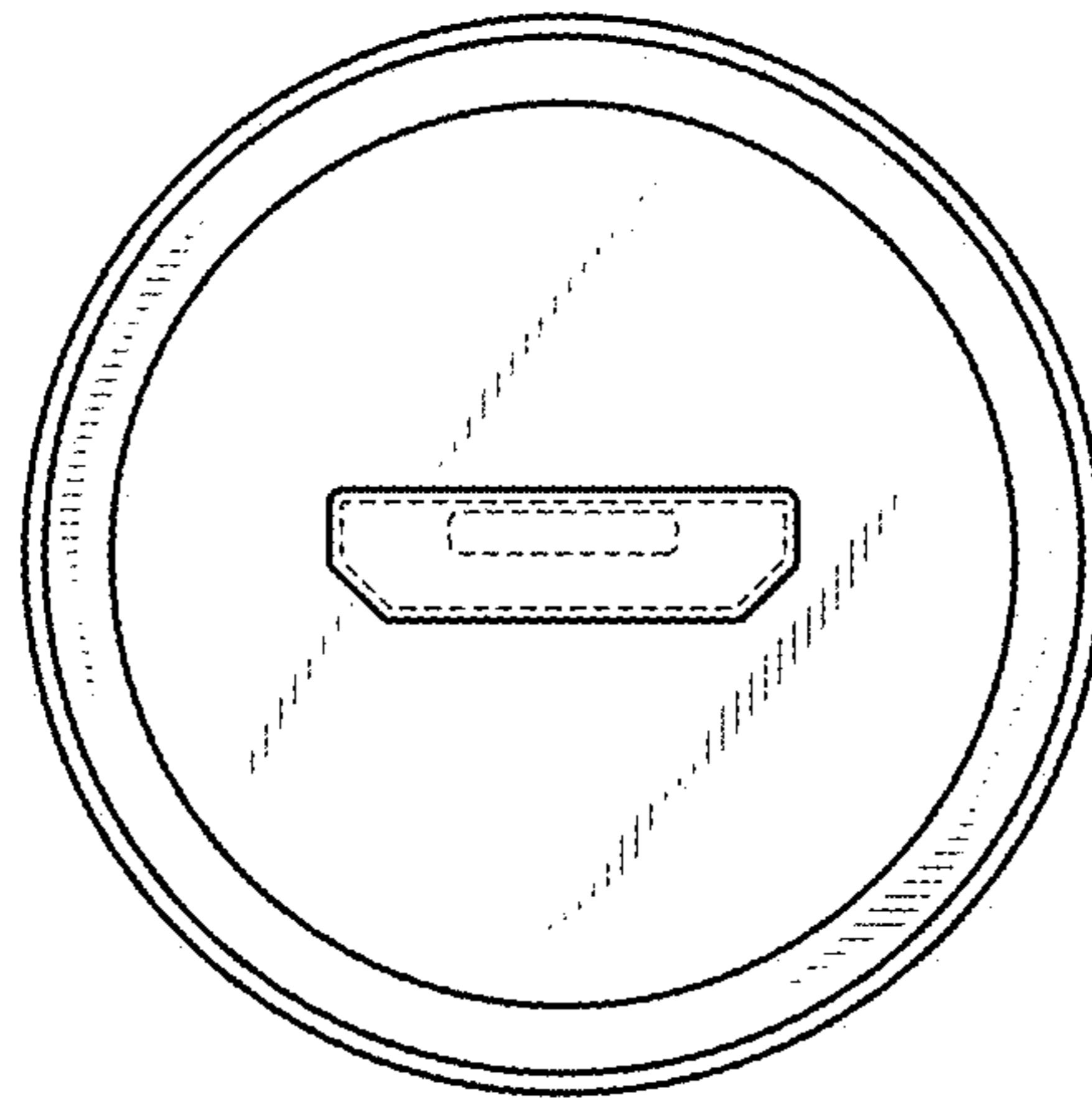


FIG. 5



**FIG. 6**



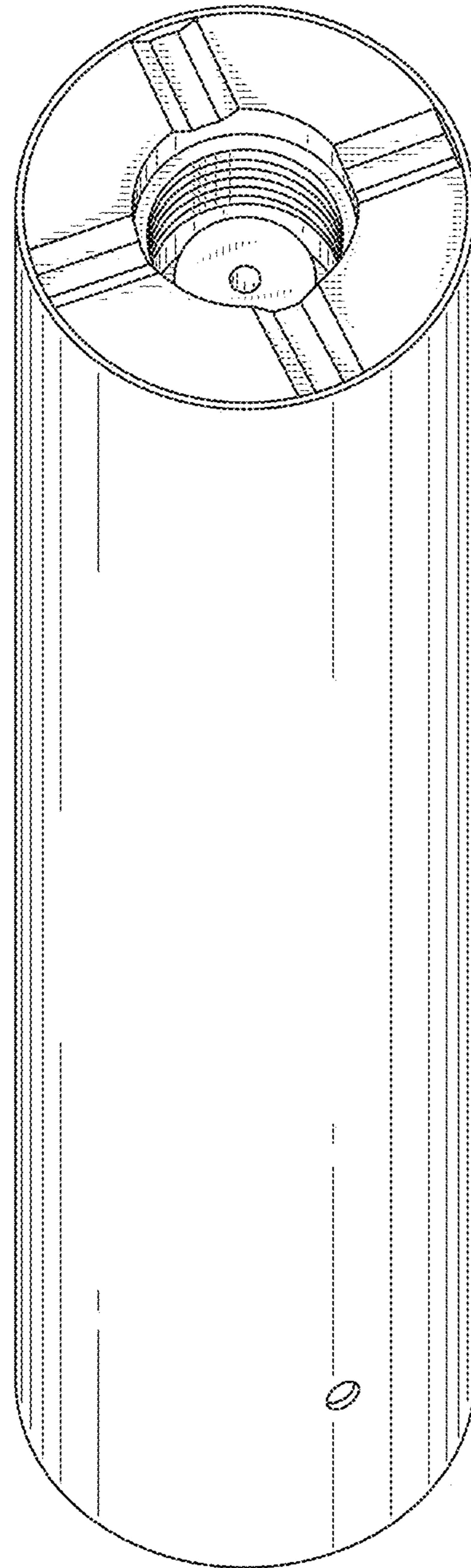


FIG. 7

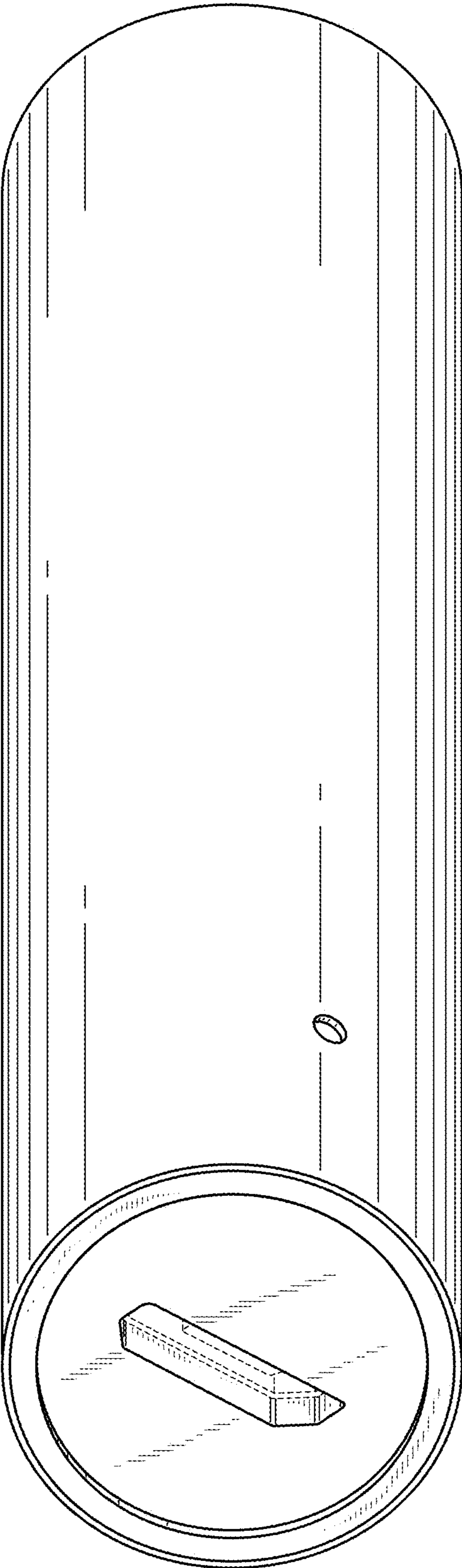


FIG. 8