



US00D943510S

(12) **United States Design Patent** (10) **Patent No.:** **US D943,510 S**  
**Altenburger et al.** (45) **Date of Patent:** **\*\* Feb. 15, 2022**

(54) **BATTERY PACK**

(71) Applicant: **TTI (MACAO COMMERCIAL OFFSHORE) LIMITED**, Macau (MO)

(72) Inventors: **Ryan Altenburger**, Greenville, SC (US); **Brent Gregorich**, Easley, SC (US); **Michael Buckner**, Clemson, SC (US)

(73) Assignee: **TTI (MACAO COMMERCIAL OFFSHORE) LIMITED**, Macau (MO)

(\*\*) Term: **15 Years**

(21) Appl. No.: **29/700,552**

(22) Filed: **Aug. 2, 2019**

**Related U.S. Application Data**

(62) Division of application No. 29/617,638, filed on Sep. 15, 2017, now Pat. No. Des. 860,130, which is a division of application No. 29/533,865, filed on Jul. 22, 2015, now Pat. No. Des. 801,916.

(51) **LOC (13) Cl.** ..... **13-02**

(52) **U.S. Cl.**  
USPC ..... **D13/103**

(58) **Field of Classification Search**  
USPC ..... D13/102-106, 110, 118-119, 184  
CPC ..... Y02E 60/12; Y02E 60/122; Y02E 60/124; Y02E 60/50; H01M 2/02; H01M 2/022; H01M 2/0202; H01M 2/0207; H01M 2/0212; H01M 2/1061; H01M 2/1022; H01M 2/1055; H01M 2/1066; H01M 2/105; H01M 2/204; H01M 2/1016; H01M 2200/00; H01M 10/4257; H01M 10/0436; H01M 10/48; H01M 10/42

See application file for complete search history.

(56) **References Cited**

**U.S. PATENT DOCUMENTS**

5,057,112 A 10/1991 Sherman et al.  
D484,850 S \* 1/2004 Johnson ..... D13/103  
D501,823 S 2/2005 Johnson et al.

(Continued)

**FOREIGN PATENT DOCUMENTS**

CA 2823207 7/2012  
CA 2872180 11/2013  
CA 2872182 11/2013

*Primary Examiner* — Nathaniel D. Buckner

(74) *Attorney, Agent, or Firm* — Michael Best & Friedrich LLP

(57) **CLAIM**

We claim the ornamental design for a battery pack, as shown and described.

**DESCRIPTION**

FIG. 1 is a front perspective view of a battery pack showing our new design in a first embodiment.

FIG. 2 is a first side view of the battery pack of FIG. 1.

FIG. 3 is a second side view of the battery pack of FIG. 1.

FIG. 4 is a top view of the battery pack of FIG. 1.

FIG. 5 is a bottom view of the battery pack of FIG. 1.

FIG. 6 is a front view of the battery pack of FIG. 1.

FIG. 7 is a rear view of the battery pack of FIG. 1.

FIG. 8 is a front perspective view of a battery pack showing our new design in a second embodiment.

FIG. 9 is a first side view of the battery pack of FIG. 8.

FIG. 10 is a second side view of the battery pack of FIG. 8.

FIG. 11 is a top view of the battery pack of FIG. 8.

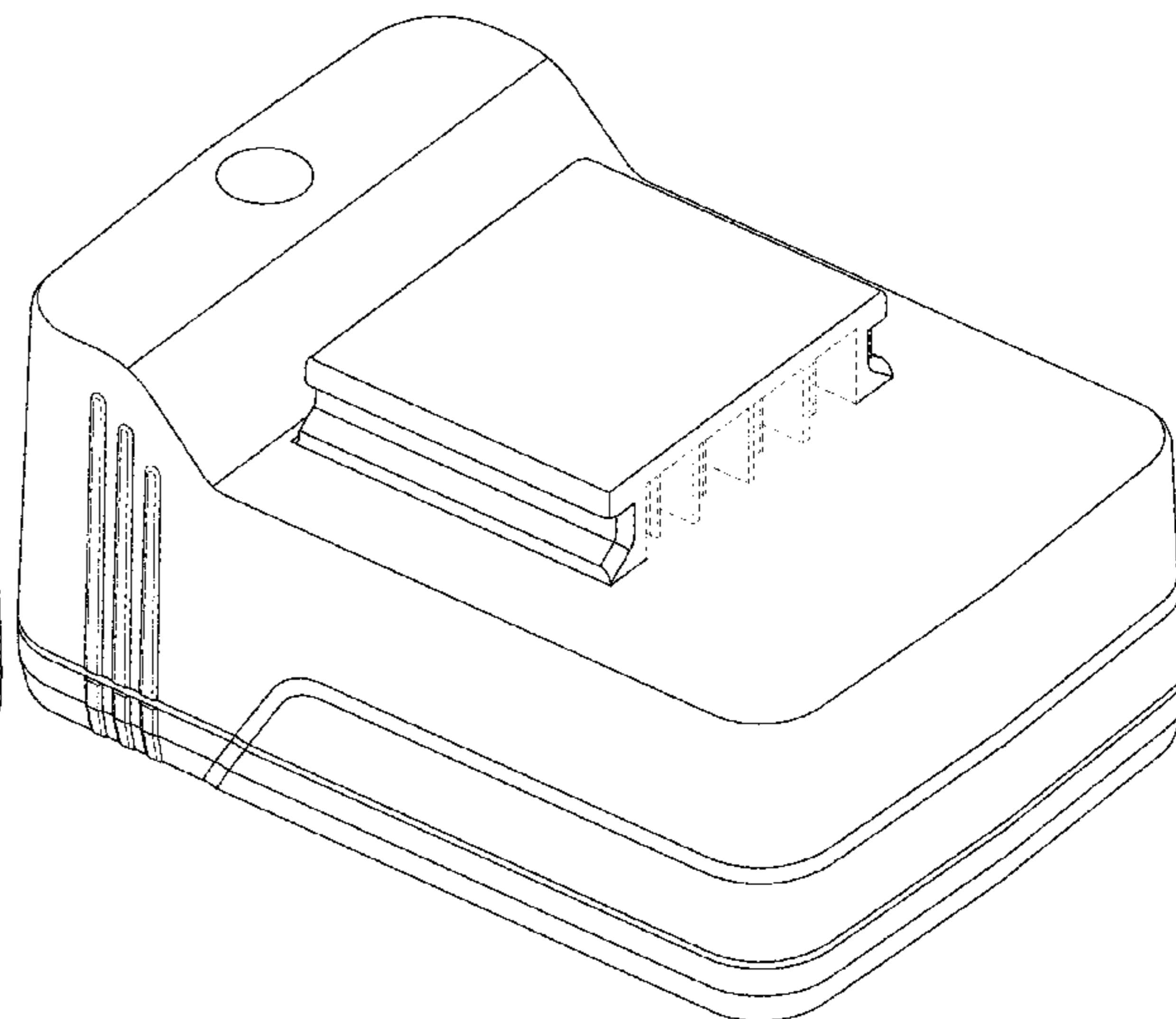
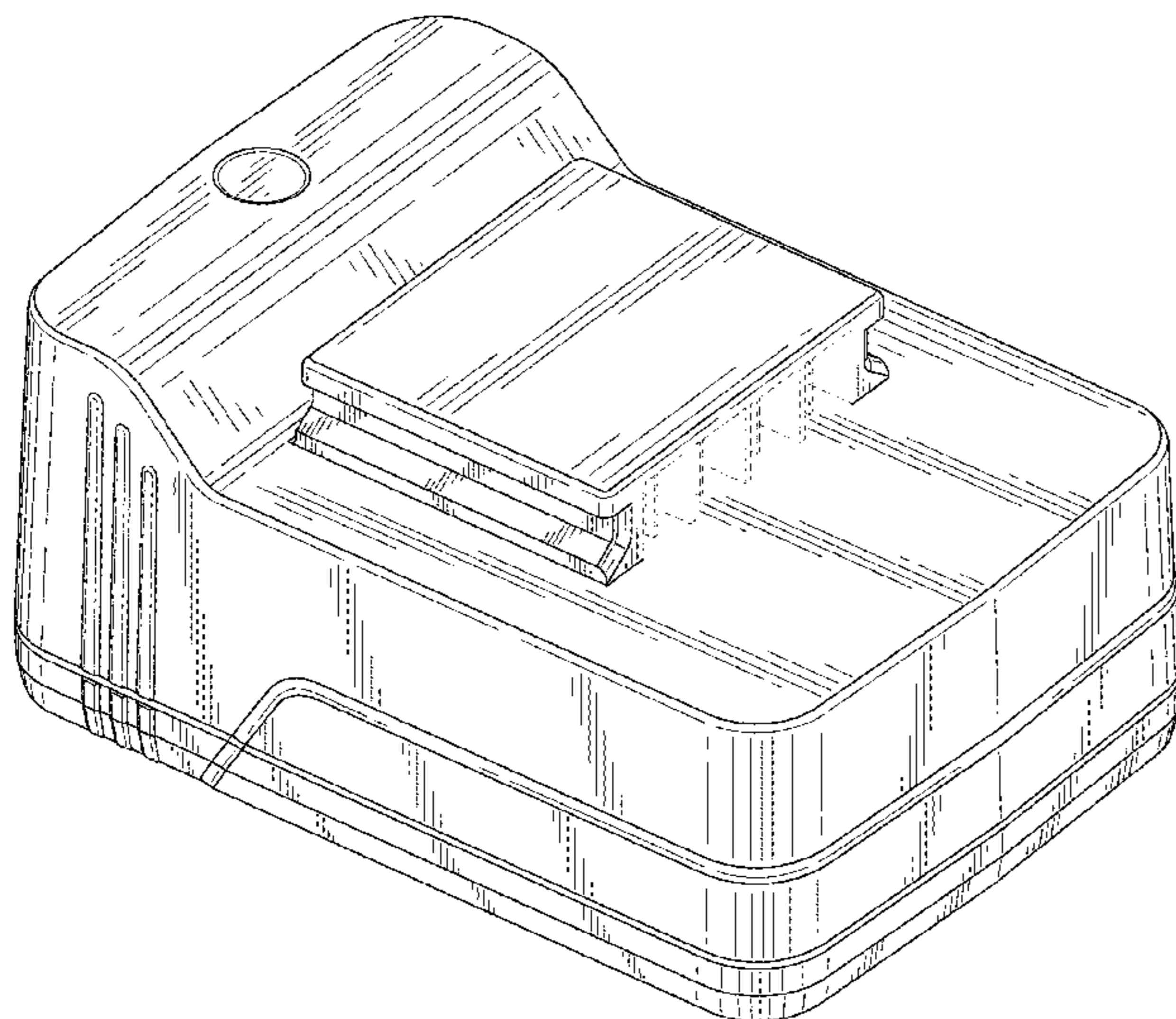
FIG. 12 is a bottom view of the battery pack of FIG. 8.

FIG. 13 is a front view of the battery pack of FIG. 8; and,

FIG. 14 is a rear view of the battery pack of FIG. 8.

The broken lines in the figures depict portions of the battery pack which form no part of the claimed design.

**1 Claim, 10 Drawing Sheets**



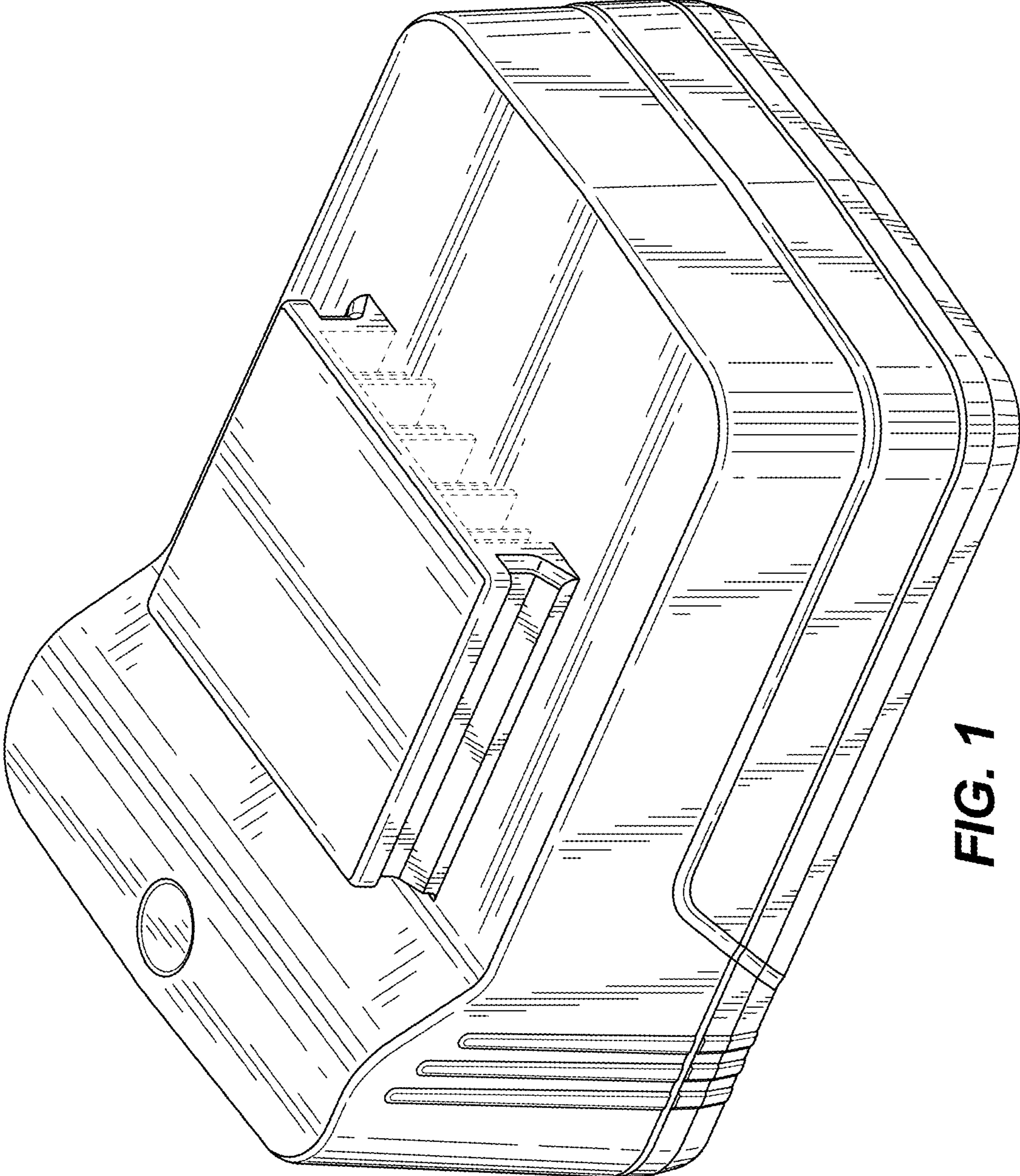
(56)

References Cited

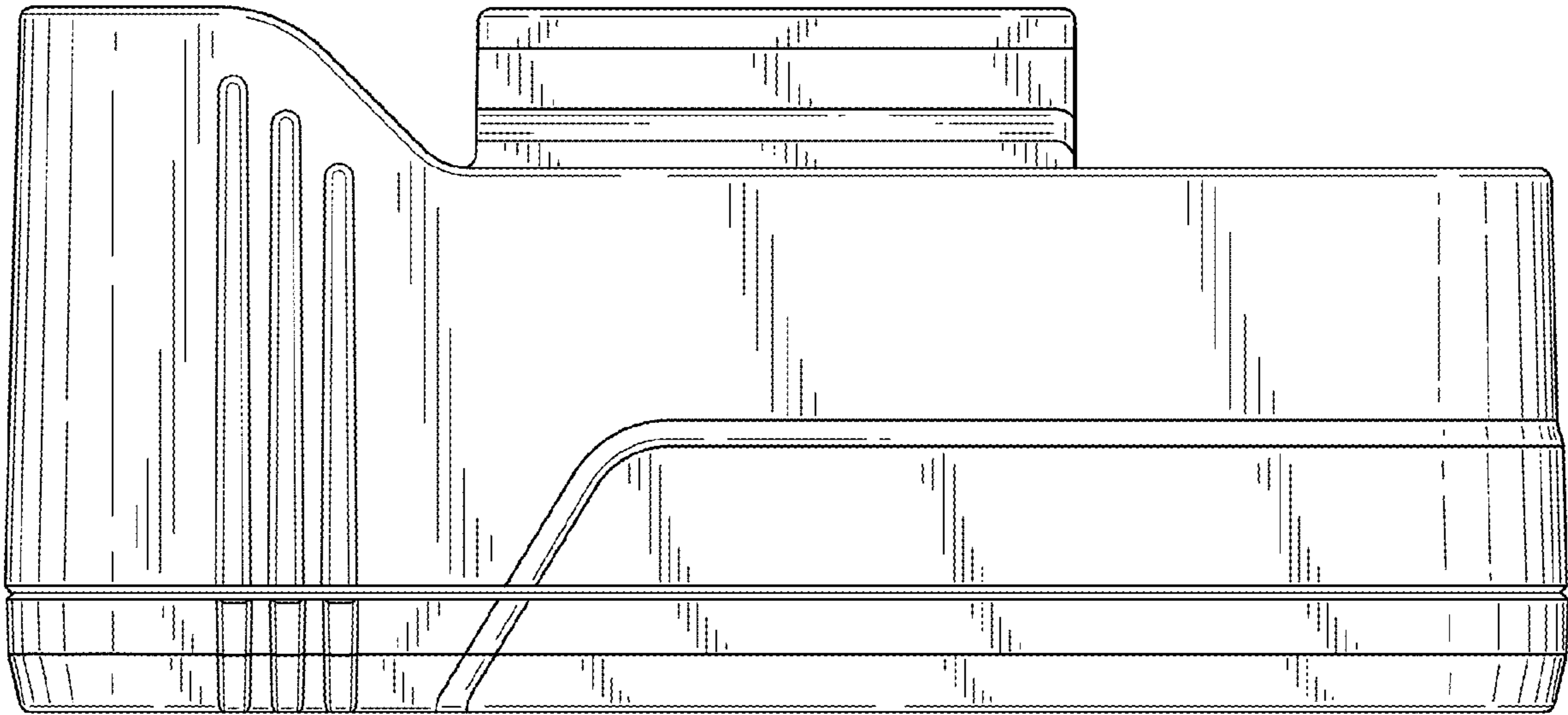
U.S. PATENT DOCUMENTS

D555,086 S *	11/2007	Zhang	.....	D13/103	D714,722 S	10/2014	Miller	
7,320,368 B2	1/2008	Watanabe			D718,705 S *	12/2014	Naksen	..... D13/103
D562,227 S	2/2008	Yamada et al.			8,936,106 B2	1/2015	Pedicini	
D568,239 S	5/2008	Okada et al.			D748,577 S	2/2016	Marino et al.	
D588,986 S	3/2009	Zhang			D754,510 S	4/2016	Marino et al.	
7,513,402 B2	4/2009	Miyashita et al.			D770,377 S *	11/2016	Kondo	..... D13/103
D601,088 S	9/2009	Scheucher			D776,610 S *	1/2017	Nommensen	..... D13/103
D607,814 S	1/2010	Tsuzuki et al.			D780,687 S	3/2017	Taniguchi et al.	
D610,082 S *	2/2010	Sweeney	.....	D13/103	D785,562 S	5/2017	Cooper	
D610,085 S	2/2010	Sweeney			D797,661 S	9/2017	Elder	
7,659,694 B2	2/2010	Griffin			D800,650 S	10/2017	Itoh et al.	
D622,661 S *	8/2010	Yamada	.....	D13/103	D801,916 S *	11/2017	Altenburger	..... D13/103
7,845,426 B2	12/2010	Jung et al.			D812,555 S	3/2018	Schoch	
D639,730 S	6/2011	Kawase			D829,646 S	10/2018	Tse et al.	
D640,196 S	6/2011	Shuang et al.			D844,558 S	4/2019	Taniguchi et al.	
D640,975 S	7/2011	Okuda et al.			D849,681 S *	5/2019	Howell	..... D13/103
D643,809 S	8/2011	Okuda et al.			D860,130 S *	9/2019	Altenburger	..... D13/103
D658,578 S *	5/2012	Davis	.....	D13/103	D898,662 S *	10/2020	Waldron	..... D13/103
8,191,648 B2	6/2012	Watanabe et al.			2005/0153596 A1	7/2005	Weston et al.	
D668,219 S	10/2012	Zhao et al.			2006/0185865 A1	8/2006	Jung et al.	
D671,892 S	12/2012	Keith, Jr. et al.			2008/0220324 A1 *	9/2008	Phillips	..... H01M 2/204 429/120
8,393,409 B2	3/2013	Pedicini			2010/0282483 A1	11/2010	Jung et al.	
D682,194 S	5/2013	Jiang et al.			2013/0136965 A1	5/2013	Nakano et al.	
D683,606 S	6/2013	Keith, Jr. et al.			2013/0186666 A1	7/2013	Yoshino et al.	
D692,741 S	11/2013	McRoberts et al.			2013/0293197 A1	11/2013	Sakakibara	
D698,312 S	1/2014	Miller			2014/0100687 A1	4/2014	Ekstrom et al.	
D699,670 S	2/2014	Cooper			2014/0266071 A1	9/2014	Tomiyasu et al.	
					2014/0272516 A1	9/2014	Tennison et al.	
					2017/0155262 A1	6/2017	Geng	

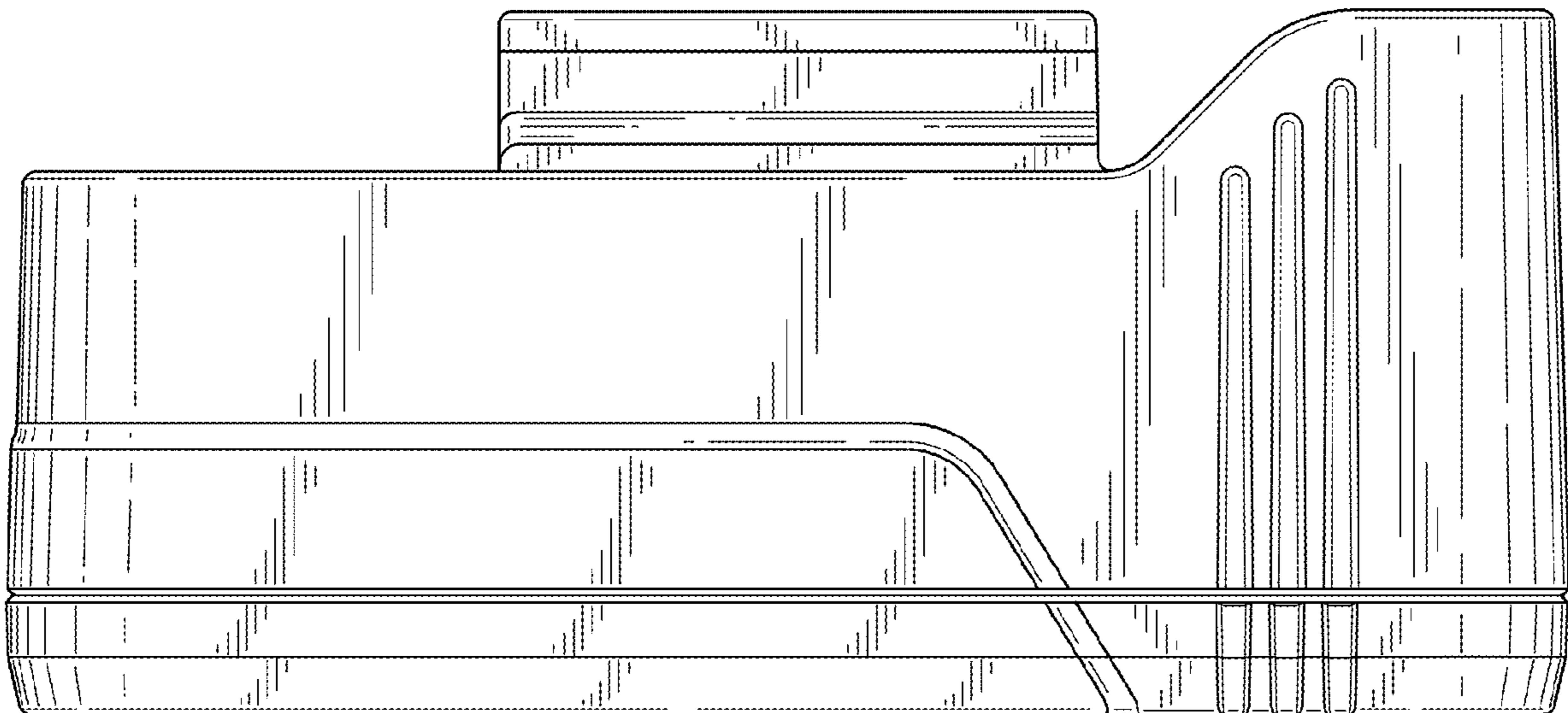
\* cited by examiner



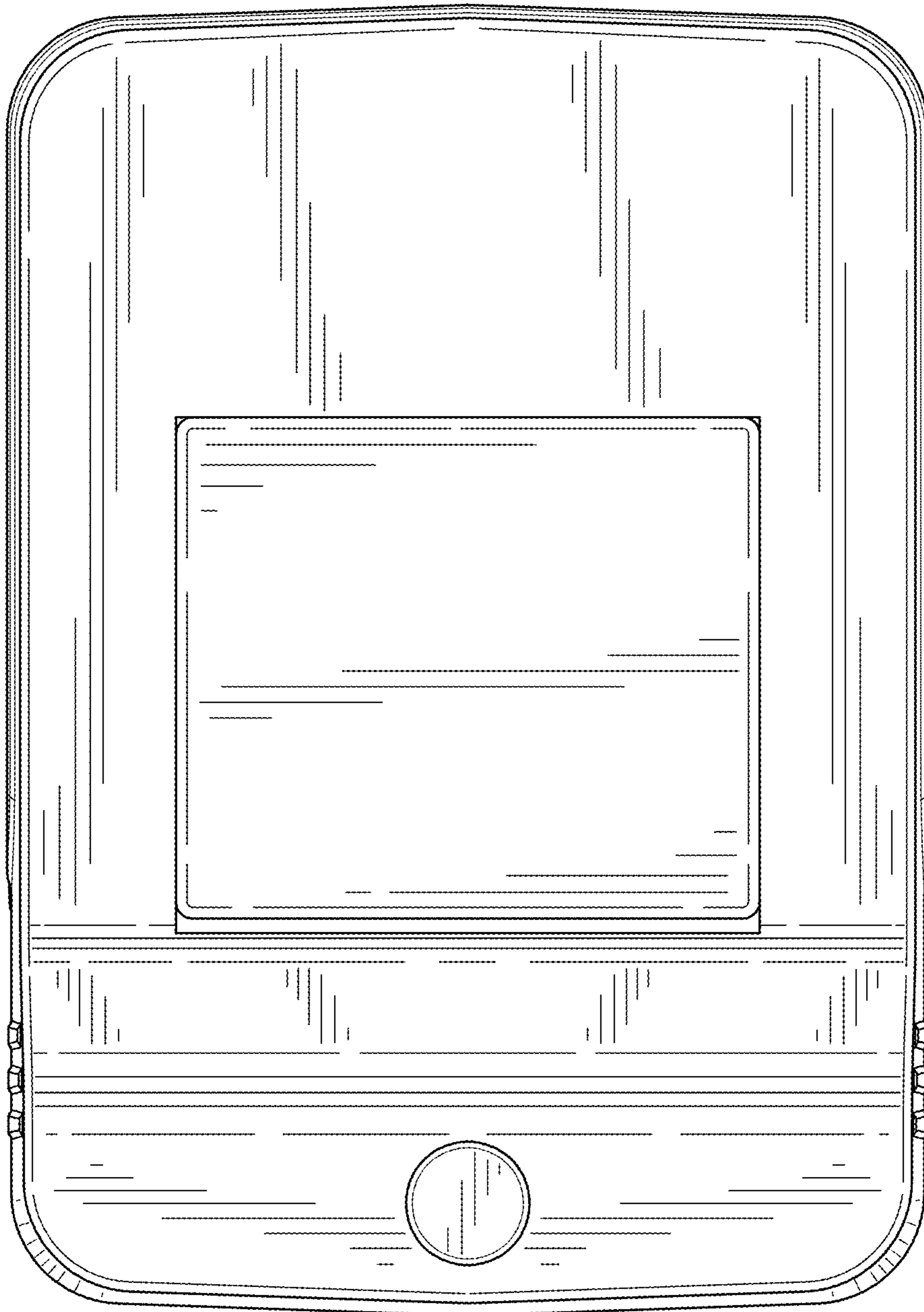
**FIG. 1**



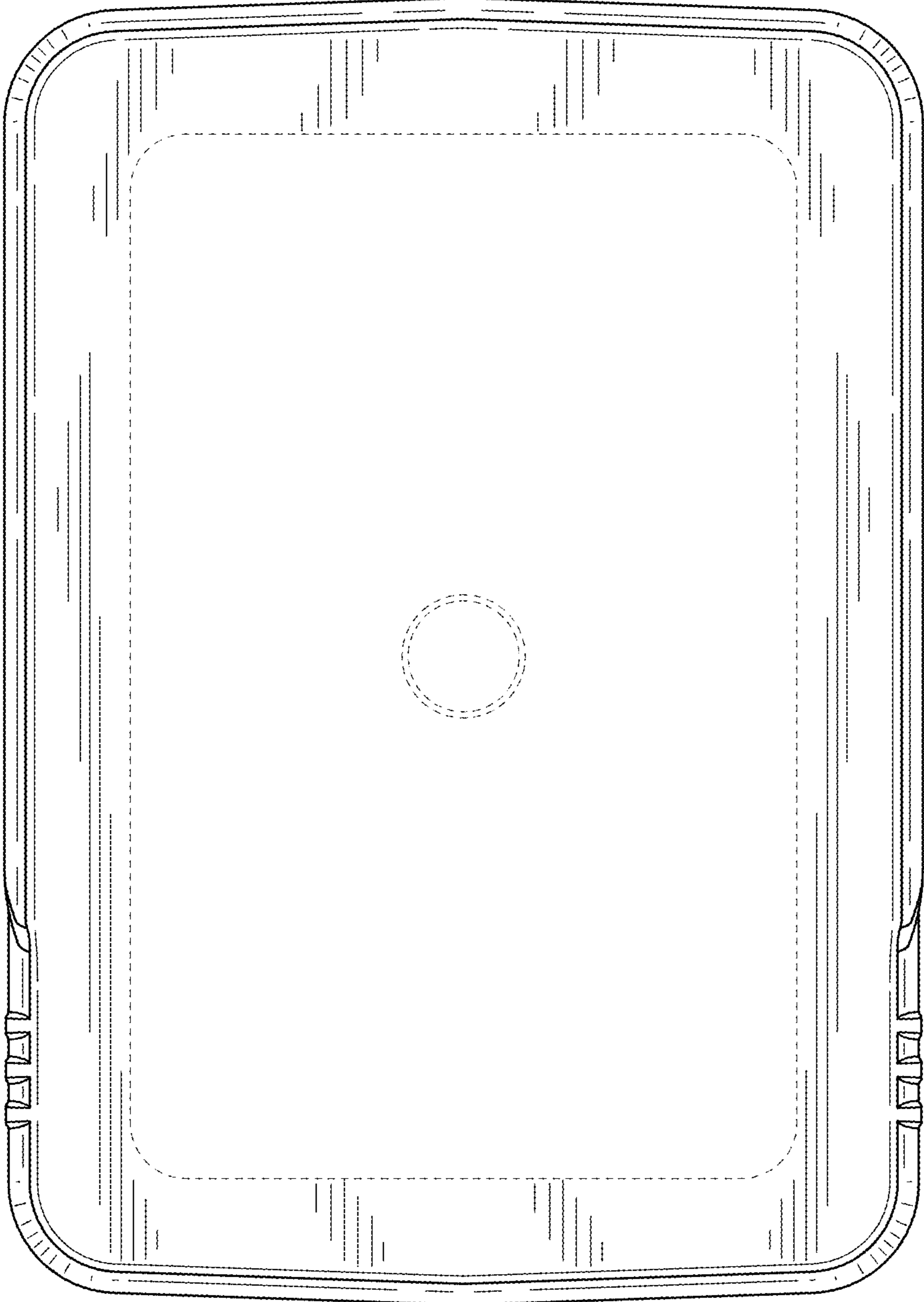
**FIG. 2**



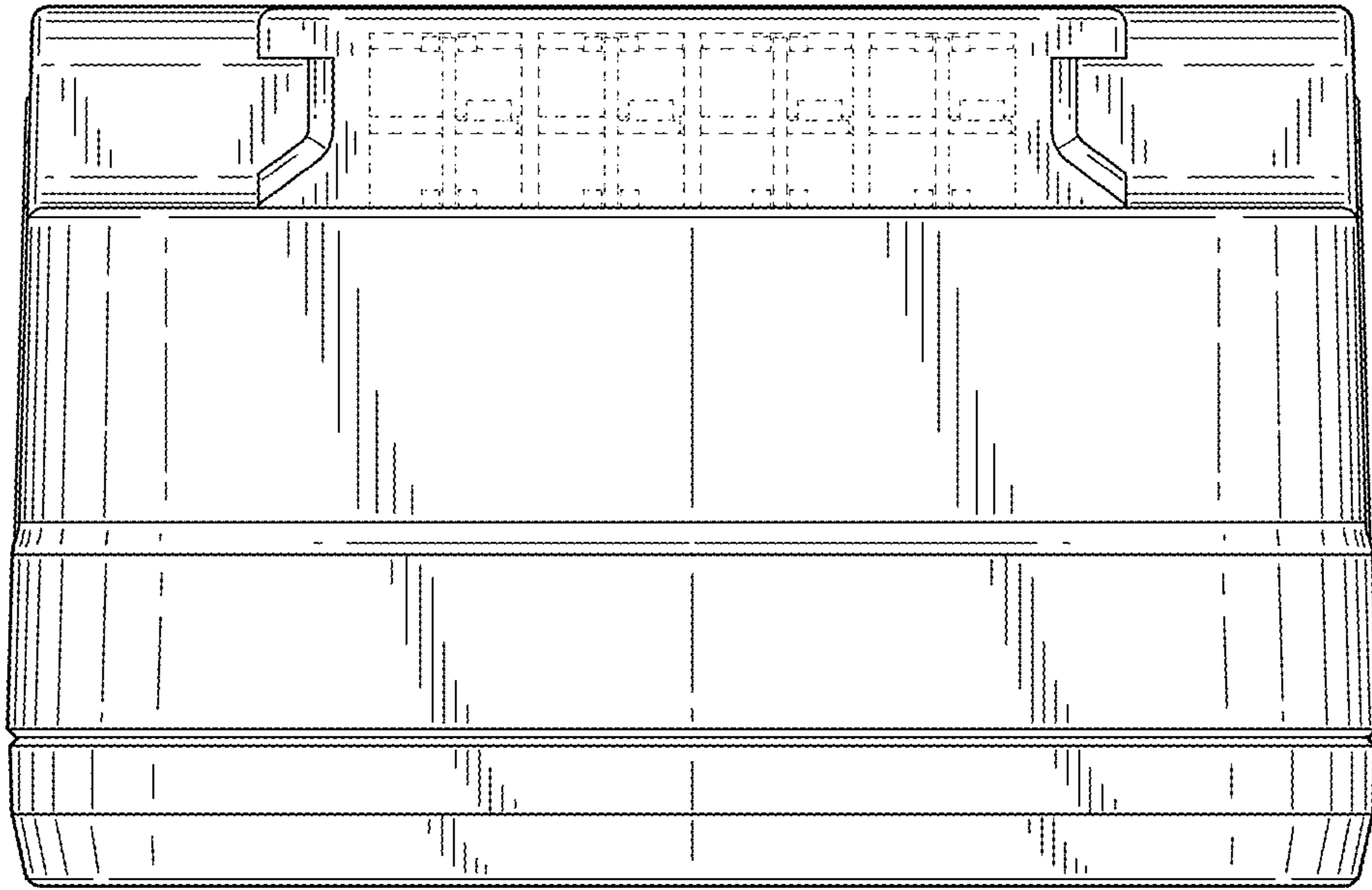
**FIG. 3**



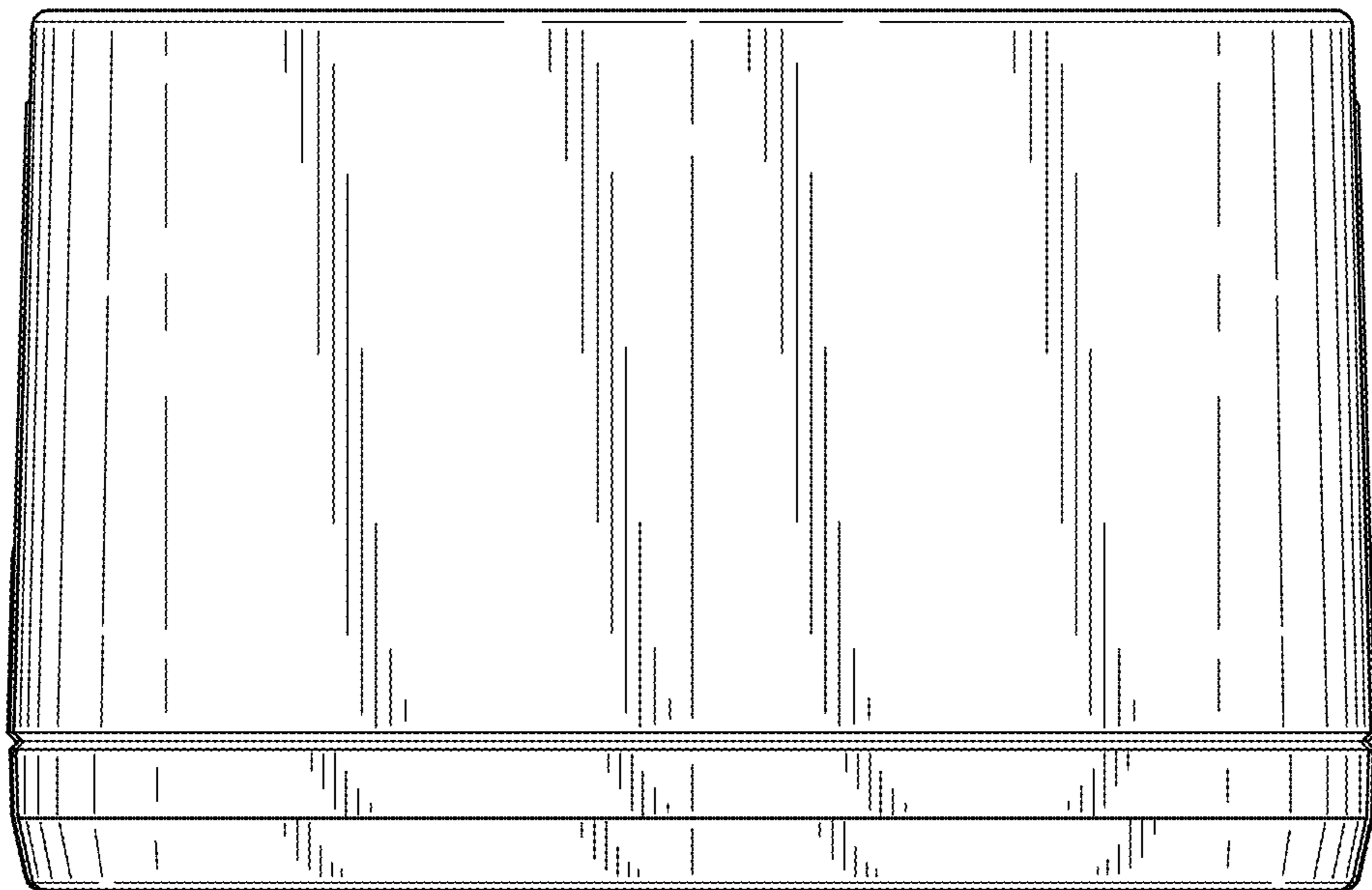
**FIG. 4**



**FIG. 5**



**FIG. 6**



**FIG. 7**

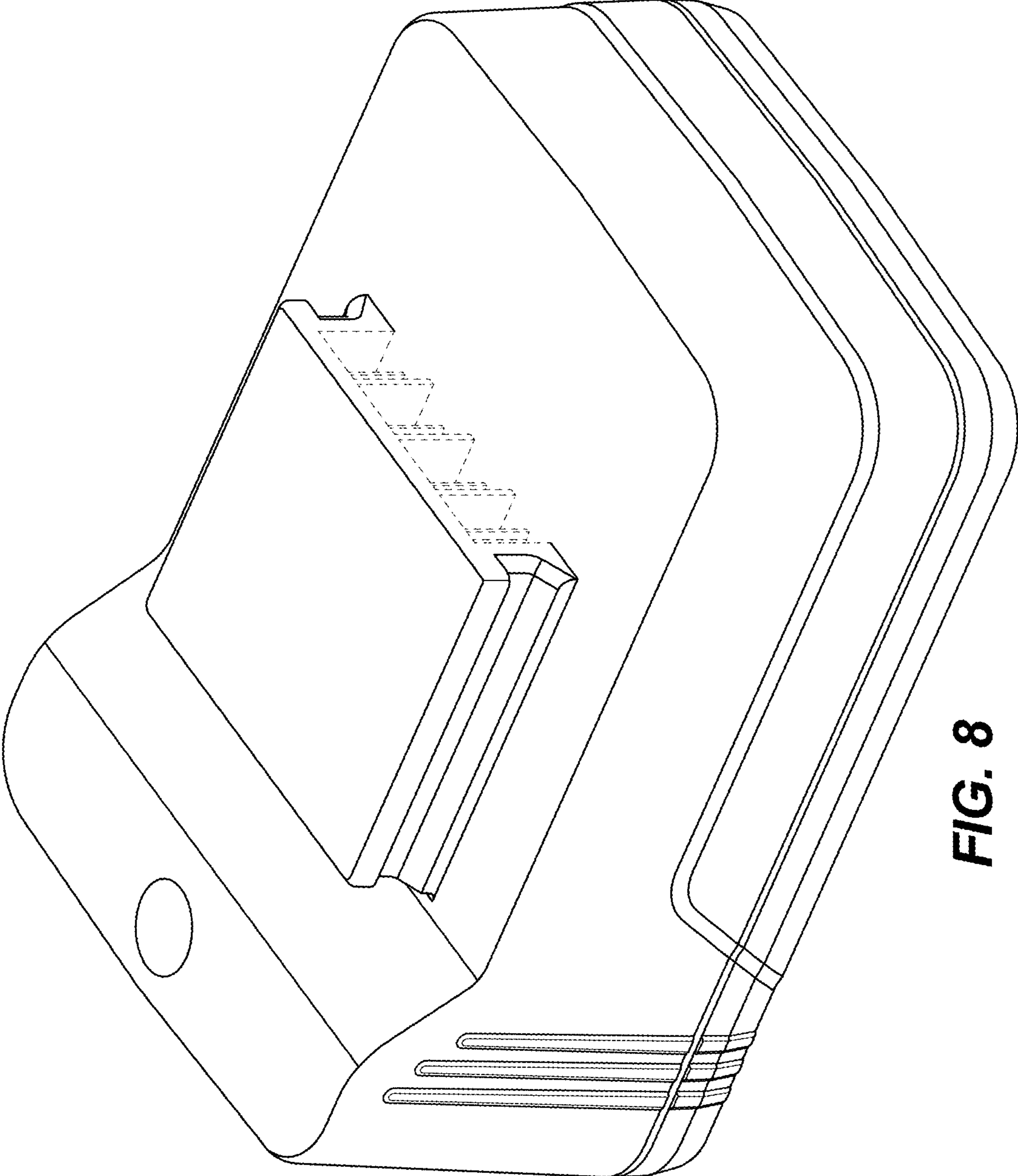
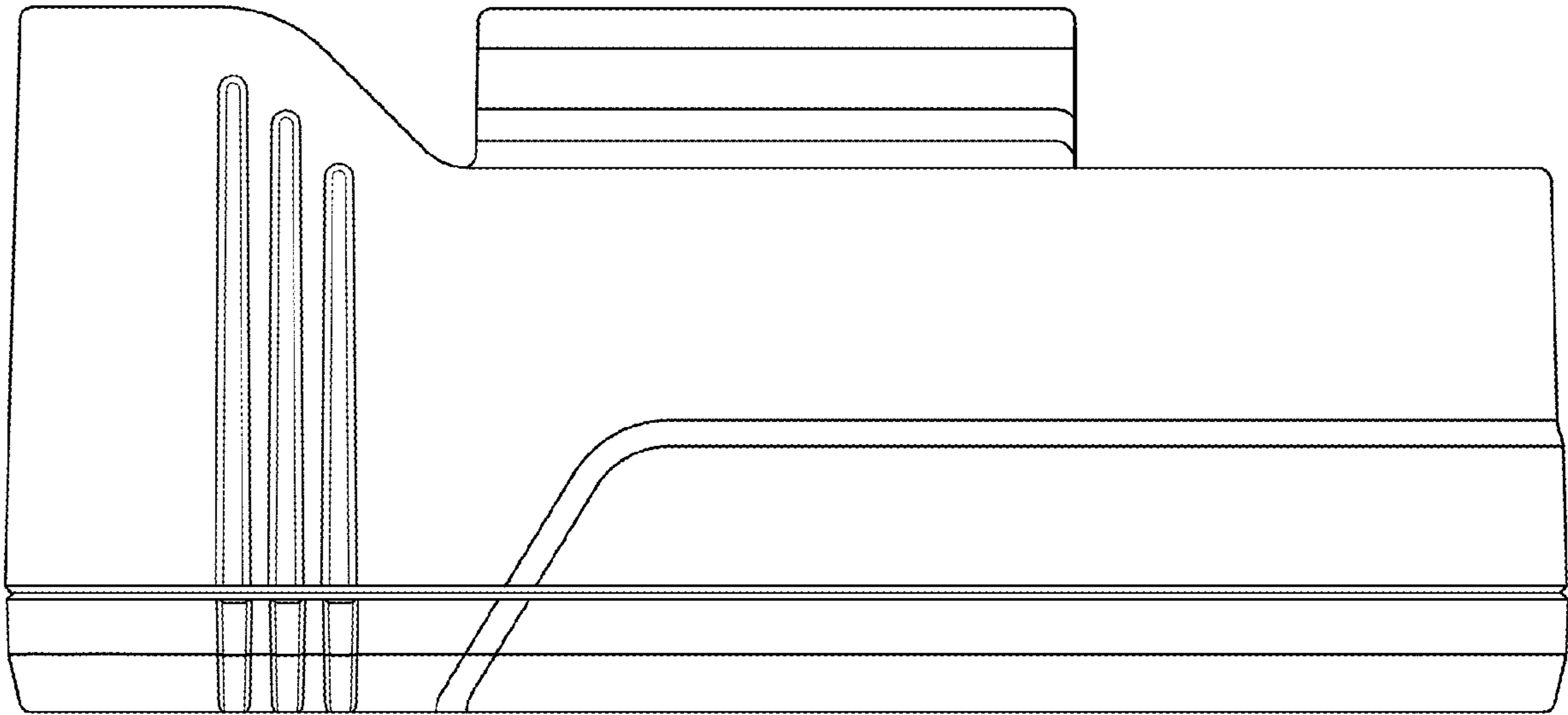
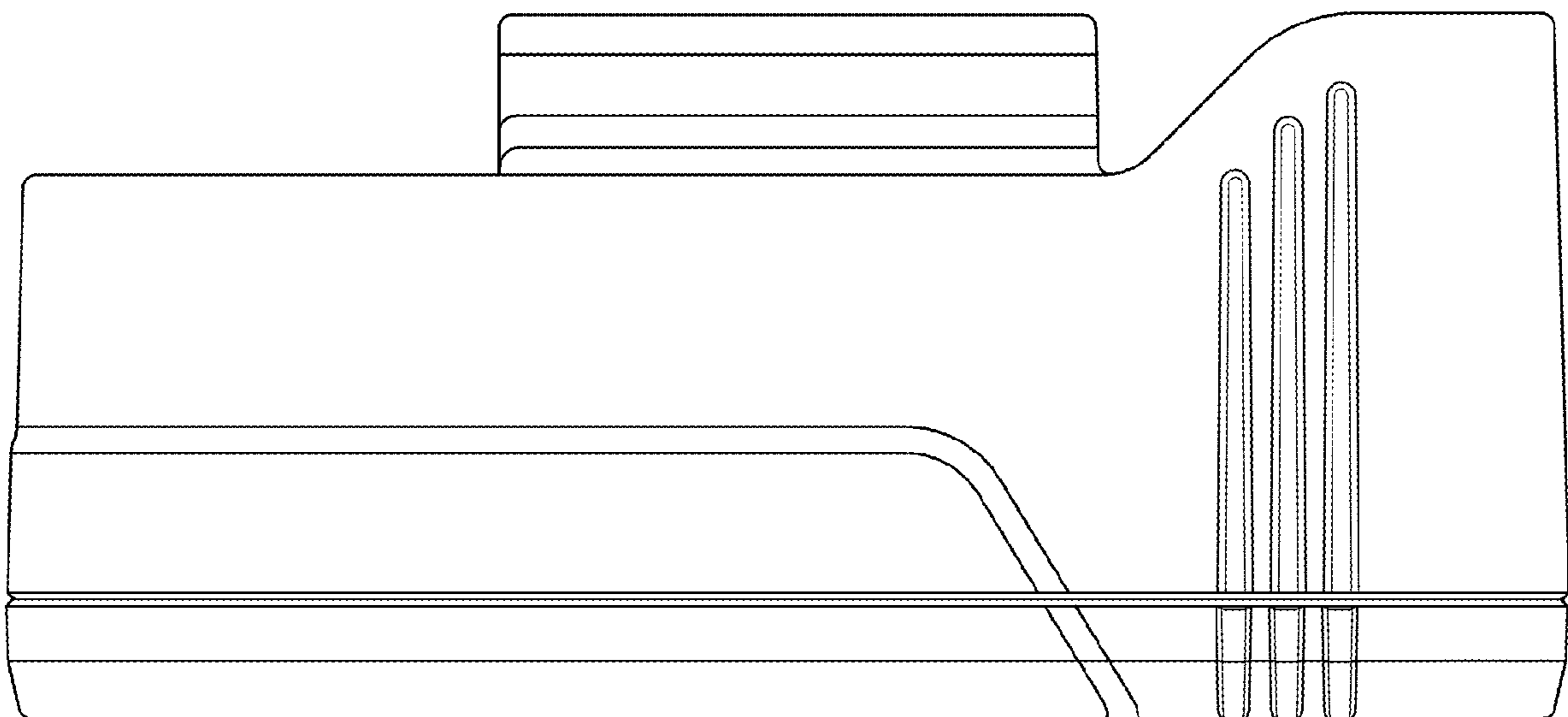


FIG. 8

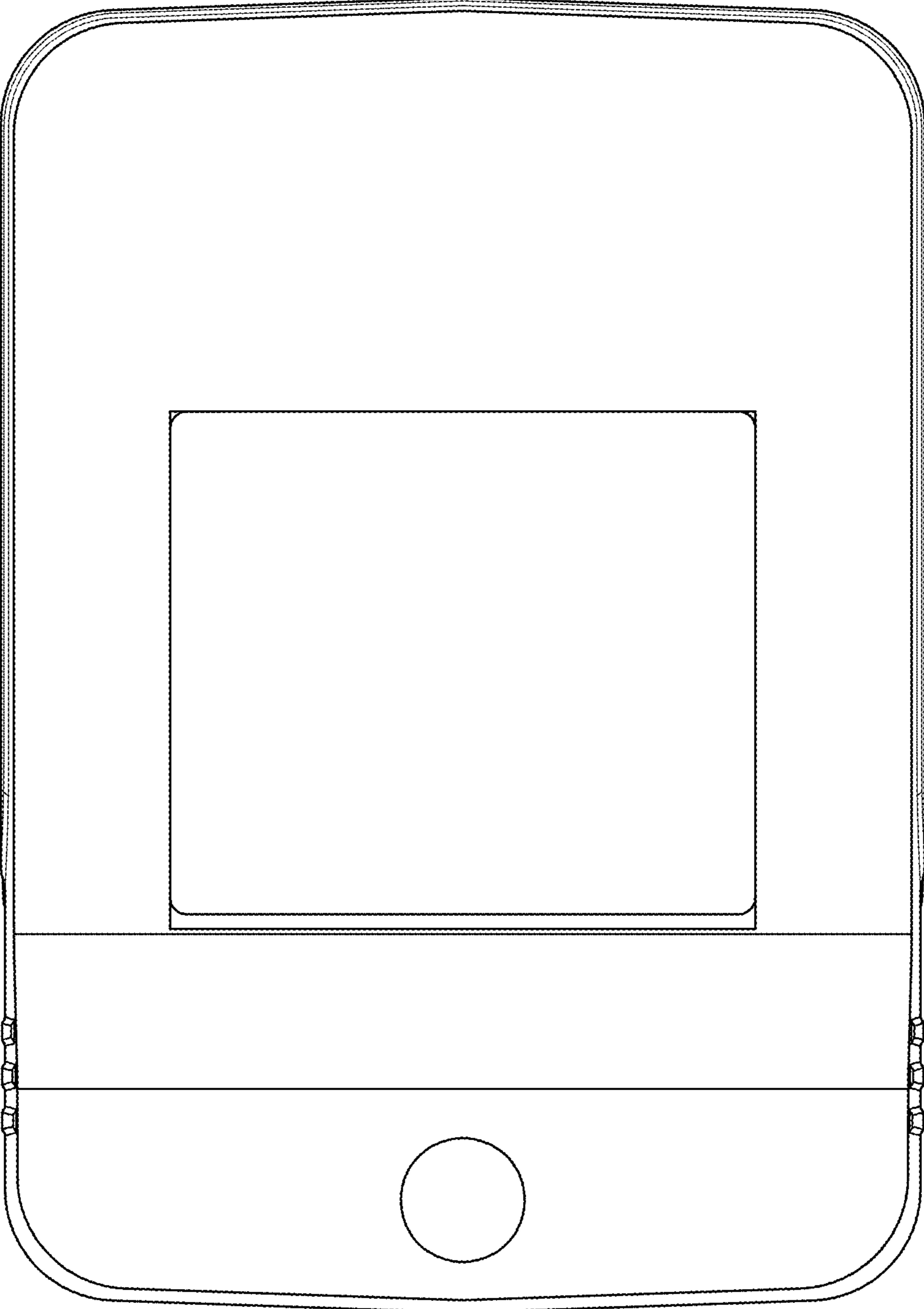




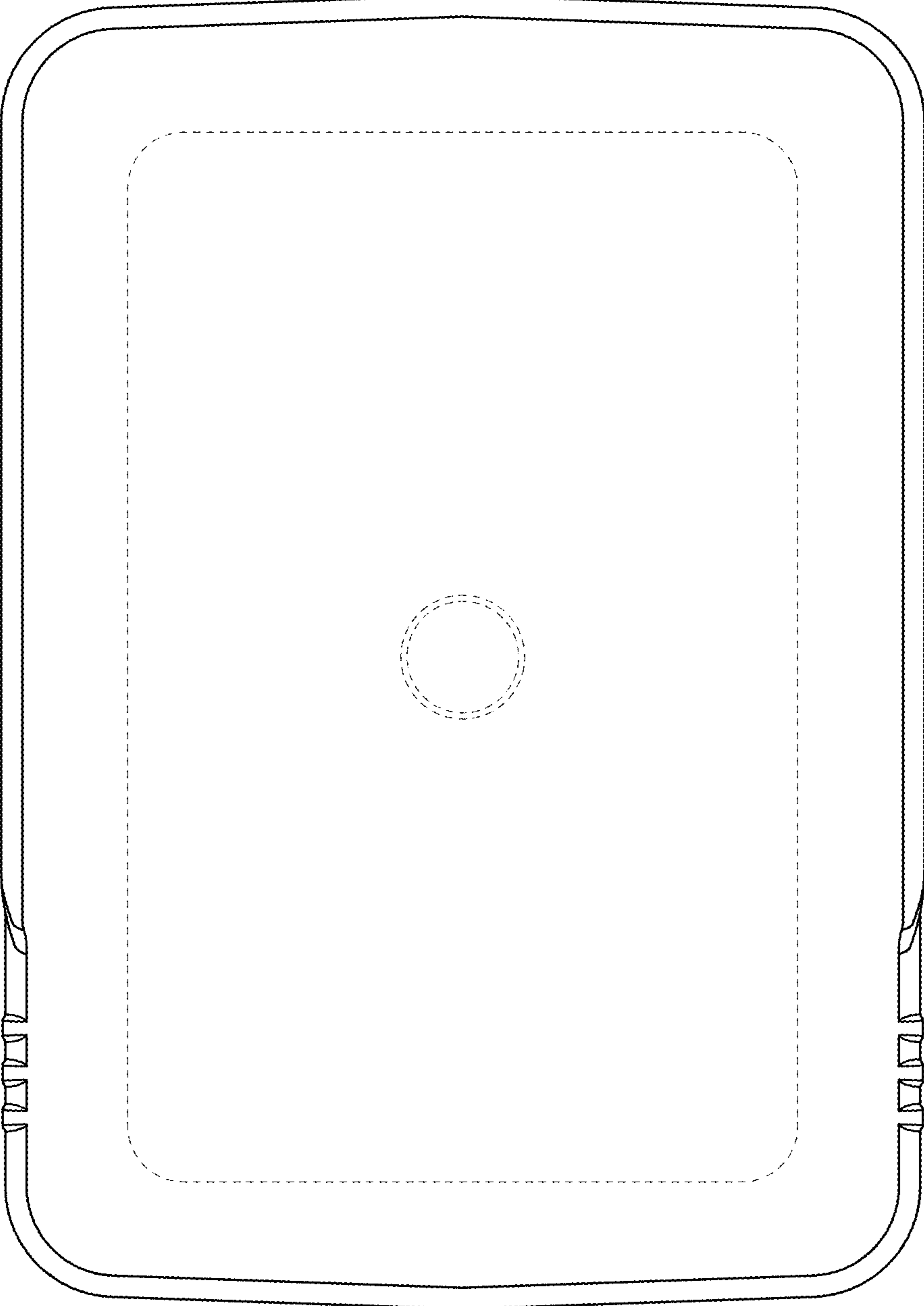
**FIG. 9**



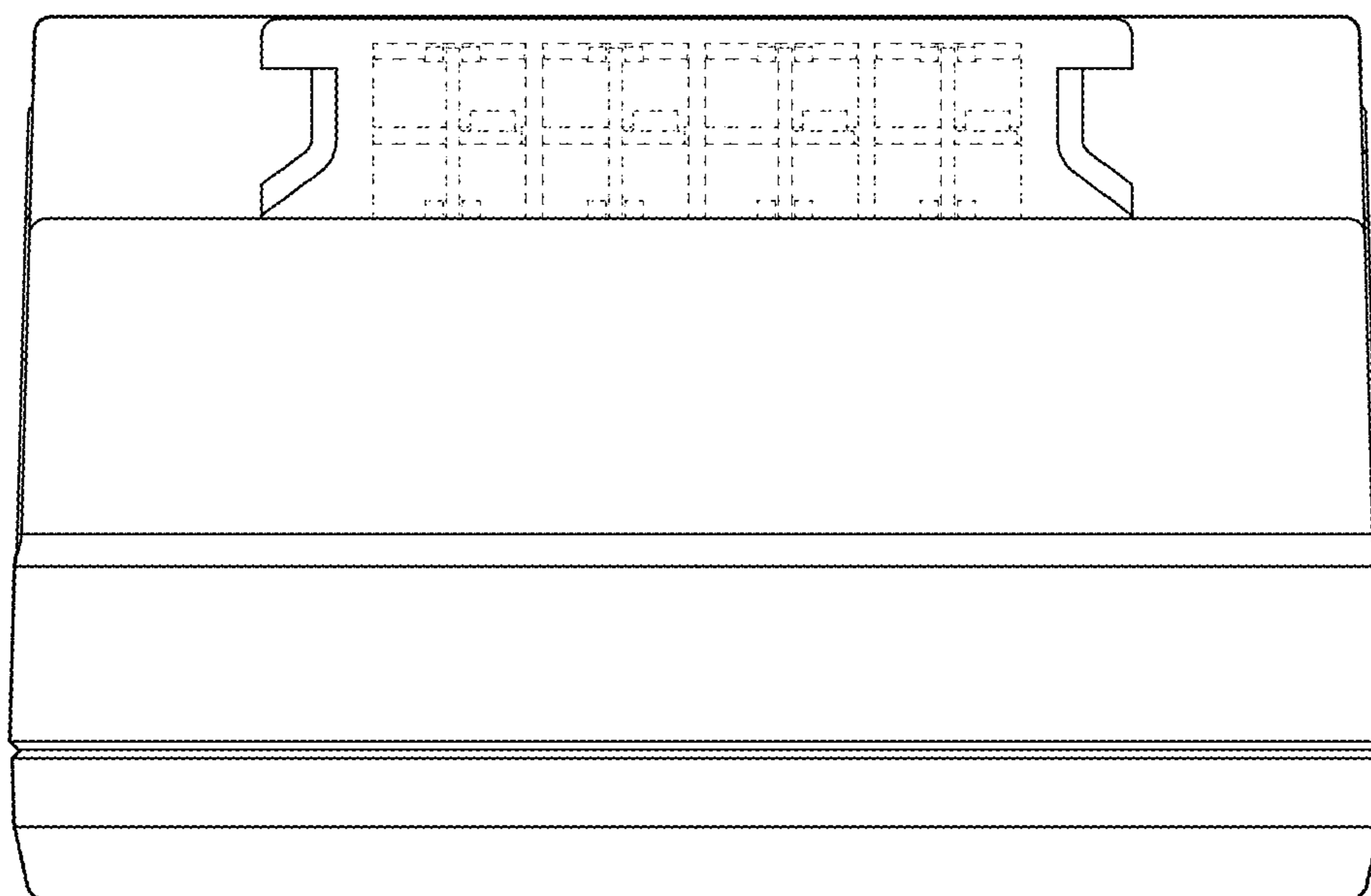
**FIG. 10**



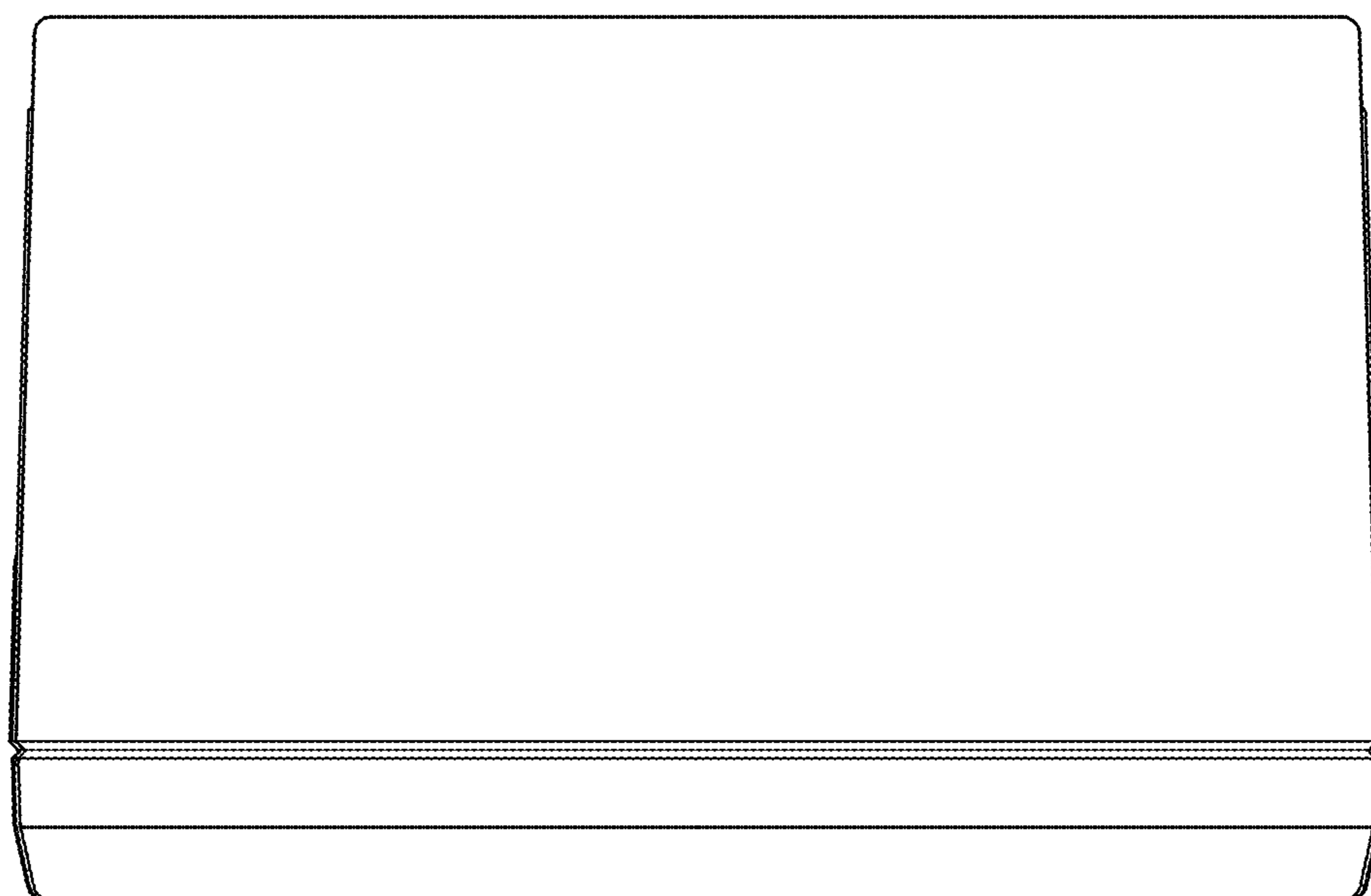
**FIG. 11**



**FIG. 12**



**FIG. 13**



**FIG. 14**