



US00D943509S

(12) **United States Design Patent**
Huang

(10) **Patent No.:** **US D943,509 S**

(45) **Date of Patent:** **** Feb. 15, 2022**

(54) **FOLDABLE SOLAR PANEL WITH
DETACHABLE KICKSTANDS**

(71) Applicant: **Xiamen Tuopusheng Energy
Technology Co., Ltd., Fujian (CN)**

(72) Inventor: **Bingqing Huang, Fujian (CN)**

(73) Assignee: **Xiamen Tuopusheng Energy
Technology Co., Ltd., Xiamen (CN)**

(**) Term: **15 Years**

(21) Appl. No.: **29/768,672**

(22) Filed: **Jan. 31, 2021**

(51) **LOC (13) Cl.** **13-02**

(52) **U.S. Cl.**
USPC **D13/102**

(58) **Field of Classification Search**
USPC D13/102, 101, 103, 110, 107, 108, 199
CPC H01L 31/00; H01L 31/042; H01L 31/045;
H01L 31/048; H01L 31/052; H01L
31/0475; H01L 31/0485; H01L 31/0525;
H01L 31/0504; H01L 31/02013; H01M
10/052; H01M 10/465; H02S 30/10;
H02S 30/20; Y02E 10/40; Y02E 10/47;
Y02E 10/50; Y02E 10/52; Y02E 10/542;
Y02E 10/544; Y10S 136/291; Y10S
136/293; H02J 7/35; H02J 7/0042
See application file for complete search history.

(56) **References Cited**

U.S. PATENT DOCUMENTS

5,522,943	A *	6/1996	Spencer	H02S 10/40 136/245
5,814,906	A *	9/1998	Spencer	G06F 1/26 307/150
D484,095	S *	12/2003	Stacey	D13/102
D510,316	S *	10/2005	Hayakawa	D13/102
D599,286	S *	9/2009	Horito	D13/102

D663,261	S	7/2012	Cheung	
D670,645	S *	11/2012	Qian D13/102
D696,669	S *	12/2013	Akana D14/440
D776,050	S *	1/2017	Awad D13/102
D817,265	S	5/2018	Liu	
D825,451	S *	8/2018	Liu D13/102

(Continued)

Primary Examiner — Derrick E Holland

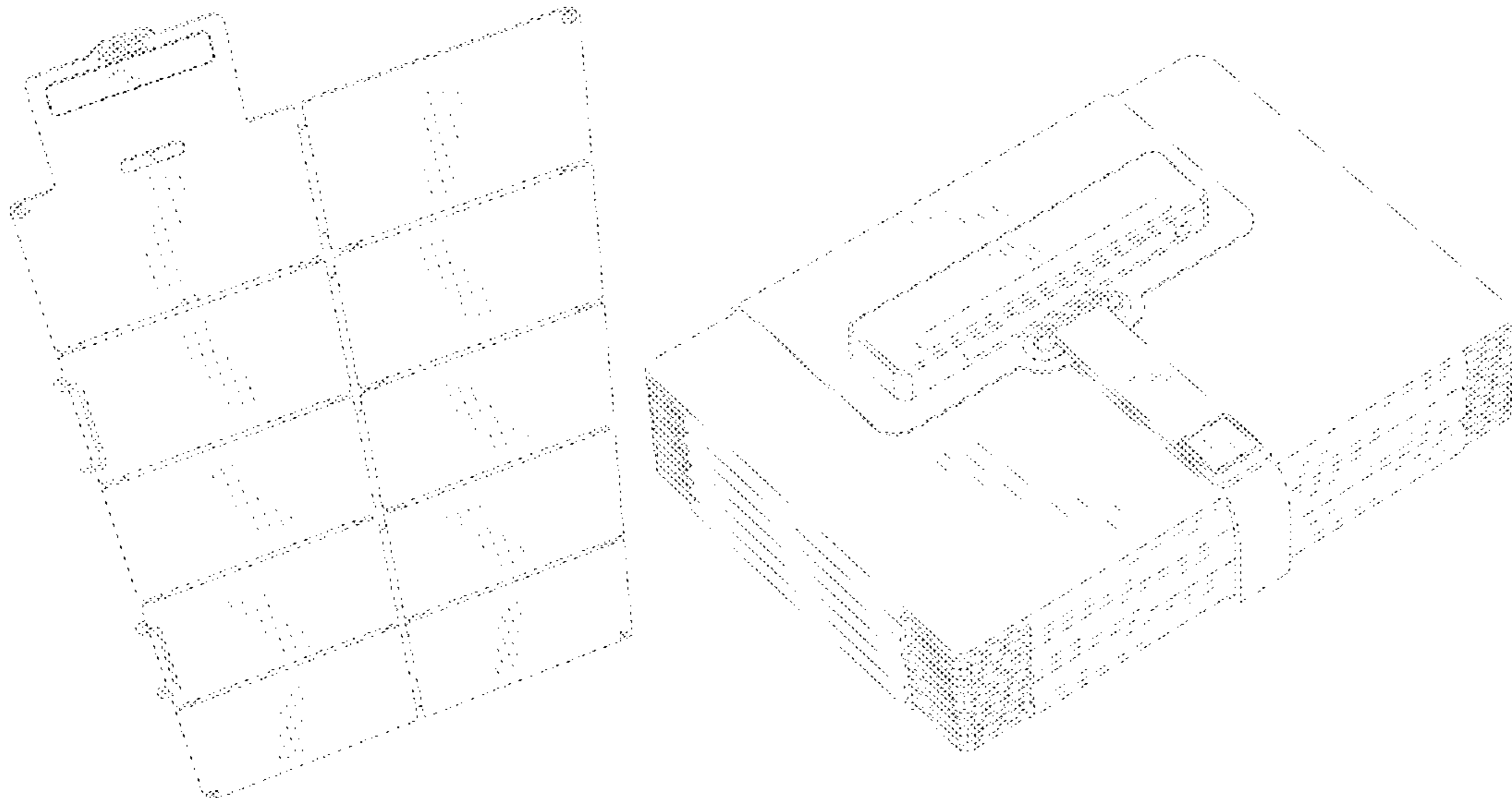
(57) **CLAIM**

The ornamental design for a foldable solar panel with detachable kickstands, as shown and described.

DESCRIPTION

FIG. 1 is a perspective view of a first embodiment of a foldable solar panel with detachable kickstands showing my new design;
 FIG. 2 is the alternative perspective view thereof;
 FIG. 3 is the alternative perspective view of the design in folded status;
 FIG. 4 is a front view thereof;
 FIG. 5 is a back view thereof;
 FIG. 6 is a left side view thereof;
 FIG. 7 is a right side view thereof;
 FIG. 8 is a top view thereof; and
 FIG. 9 is a bottom view thereof.
 FIG. 10 is a perspective view of a second embodiment of a foldable solar panel with detachable kickstands showing my new design;
 FIG. 11 is the alternative perspective view thereof;
 FIG. 12 is the alternative perspective view of the design in folded status;
 FIG. 13 is a front view thereof;
 FIG. 14 is a back view thereof;
 FIG. 15 is a left side view thereof;
 FIG. 16 is a right side view thereof;
 FIG. 17 is a top view thereof; and,
 FIG. 18 is a bottom view thereof.

1 Claim, 18 Drawing Sheets



(56)

References Cited

U.S. PATENT DOCUMENTS

D827,564 S * 9/2018 Zhang D13/102
D848,363 S * 5/2019 Bai D13/102

* cited by examiner

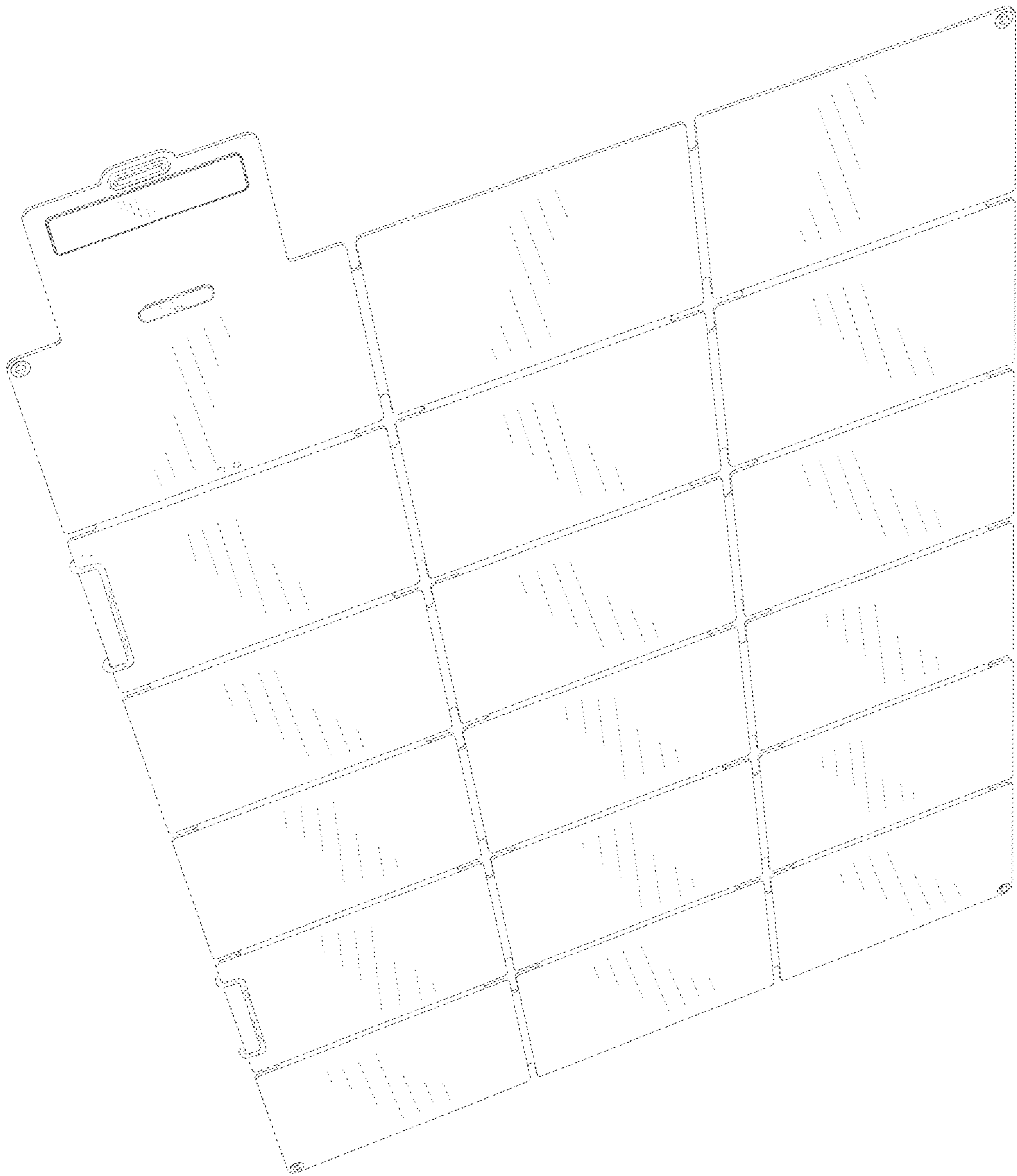


FIG. 1

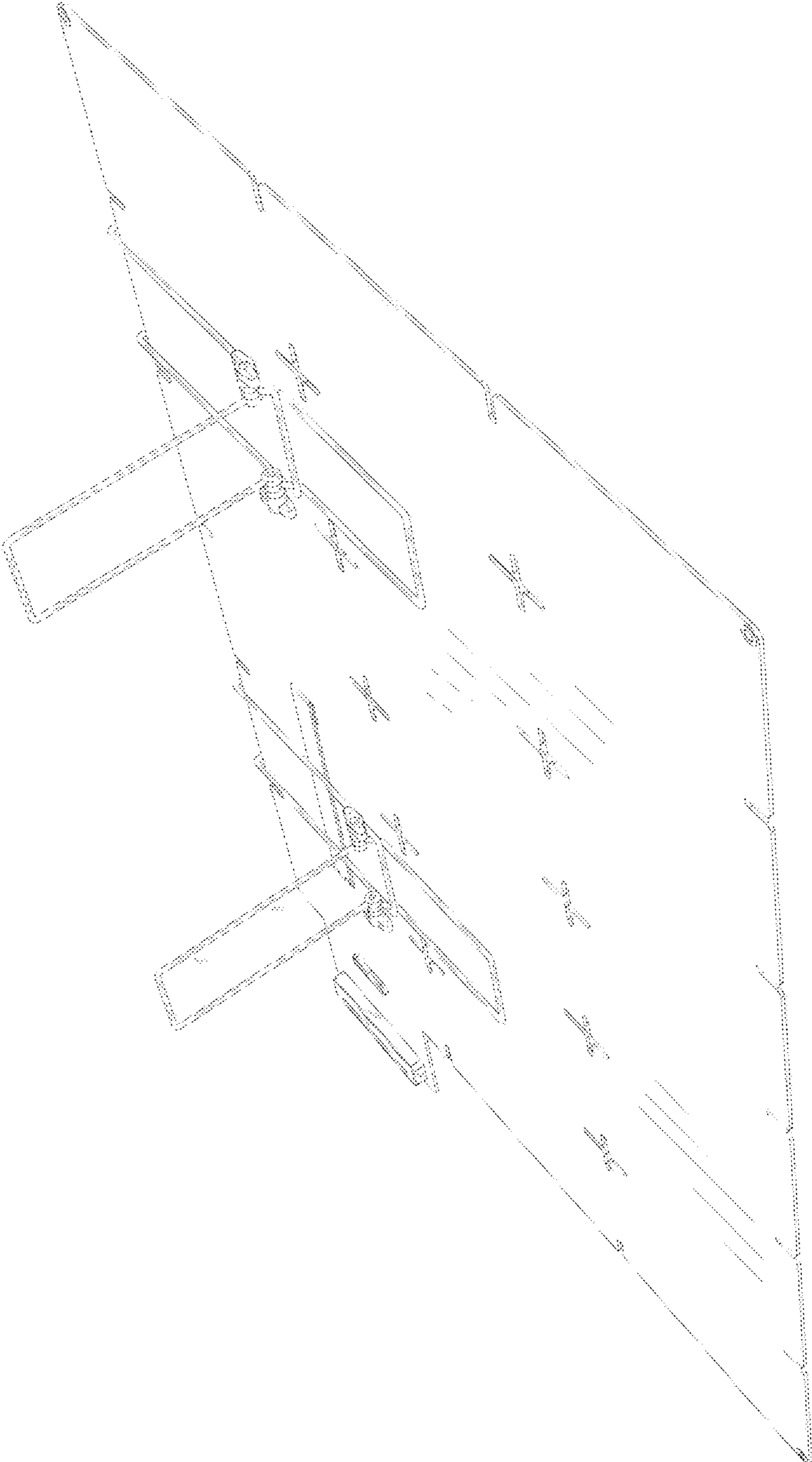


FIG. 2

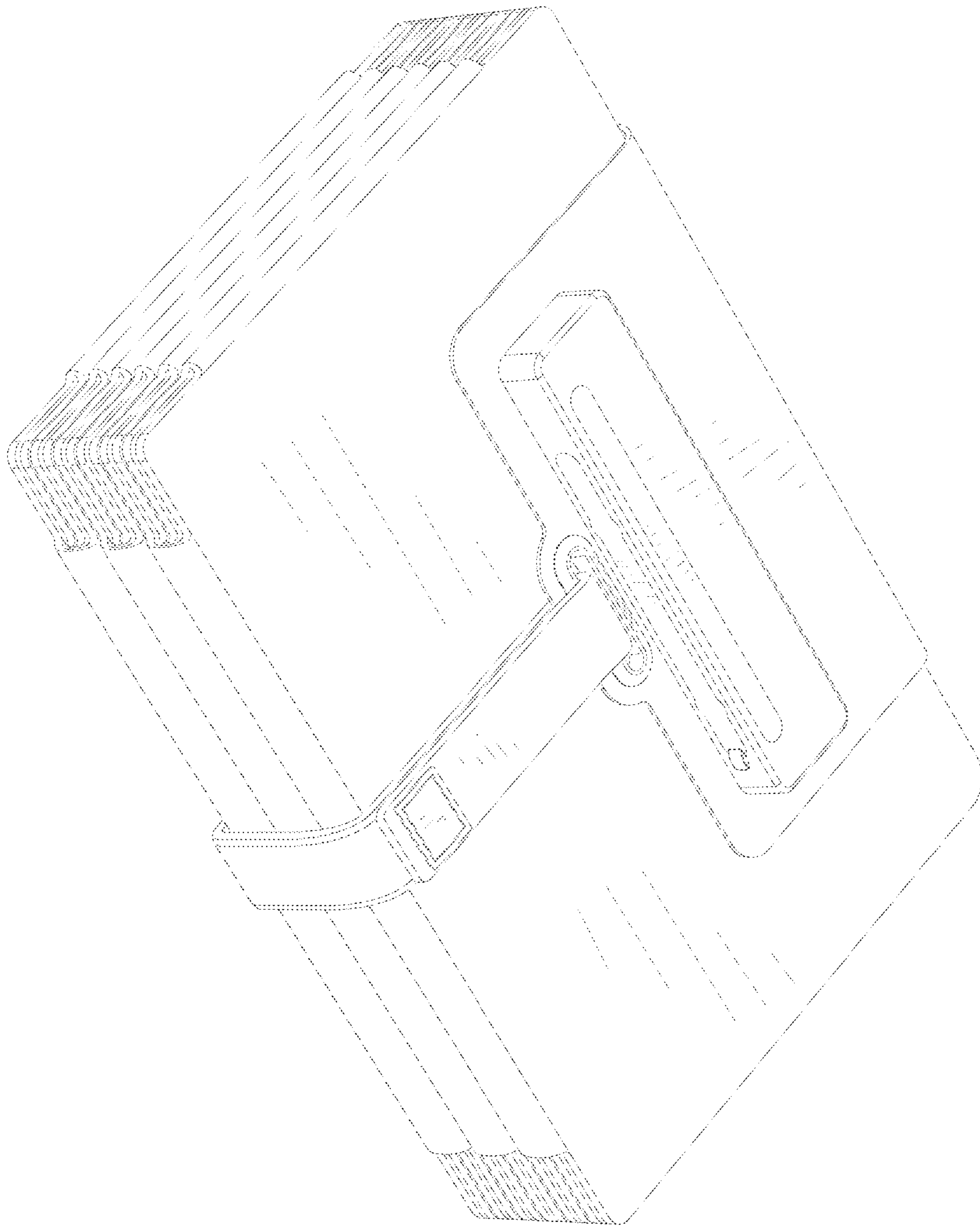


FIG. 3

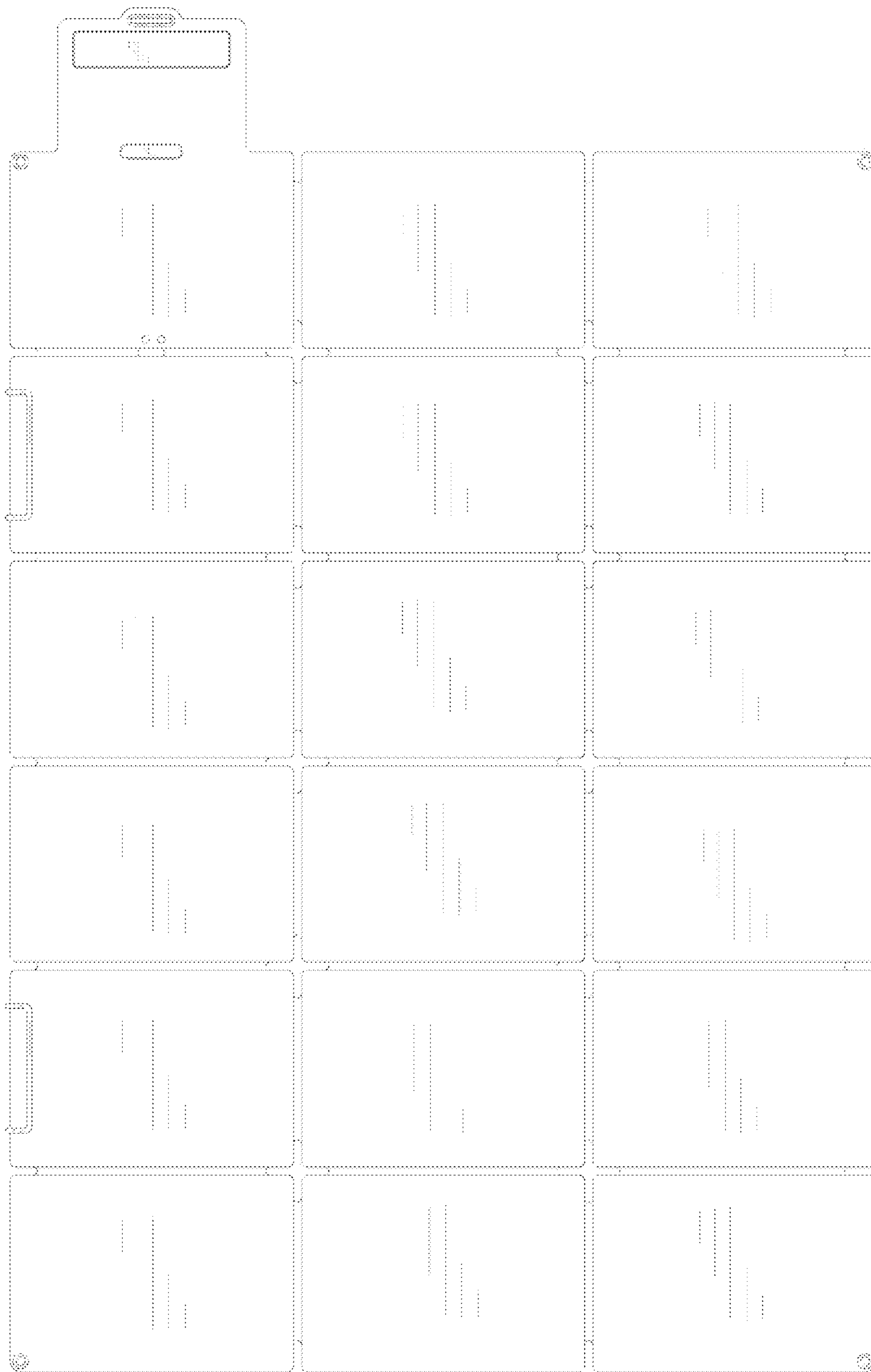


FIG. 4

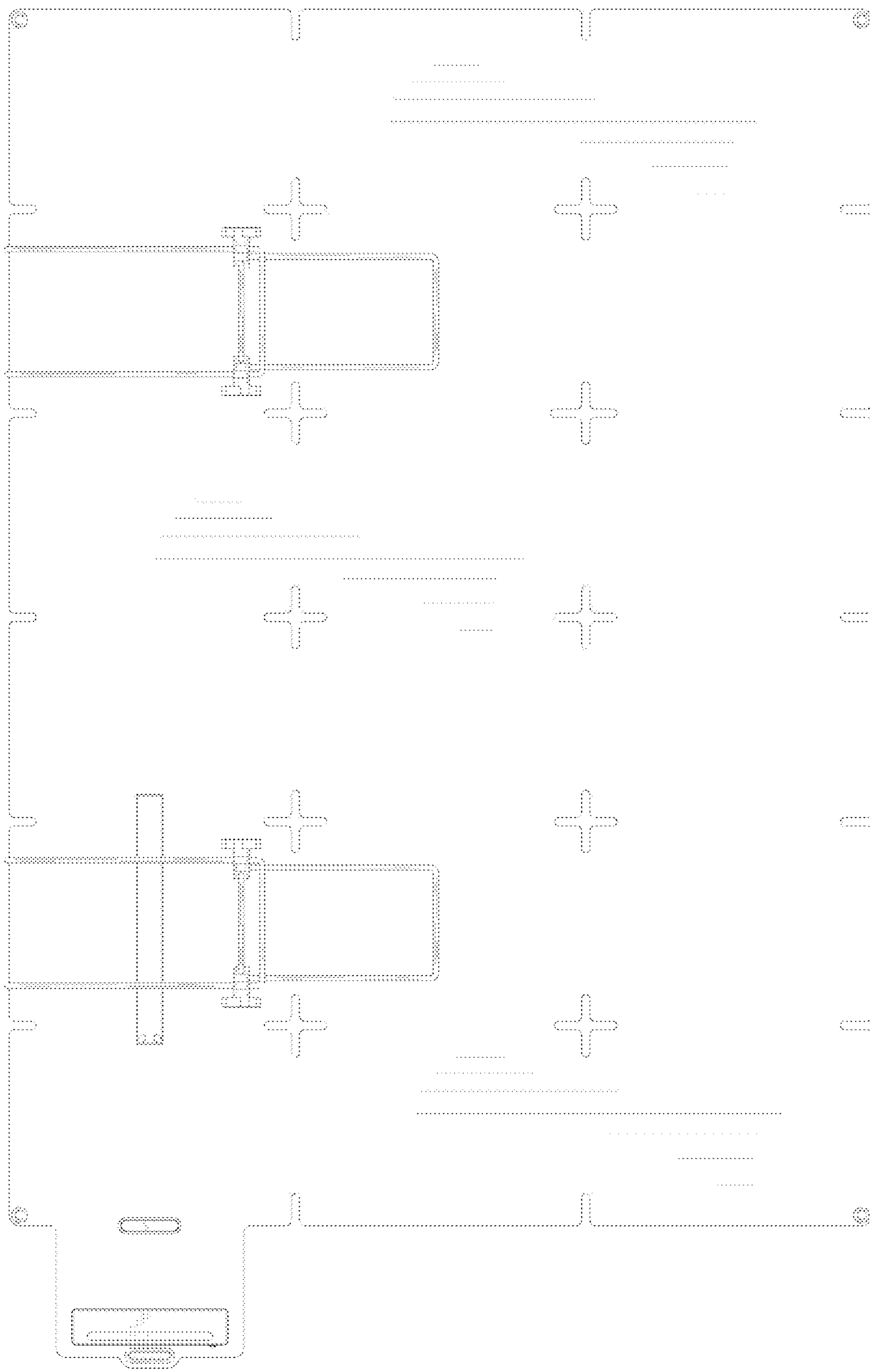


FIG. 5



FIG. 6

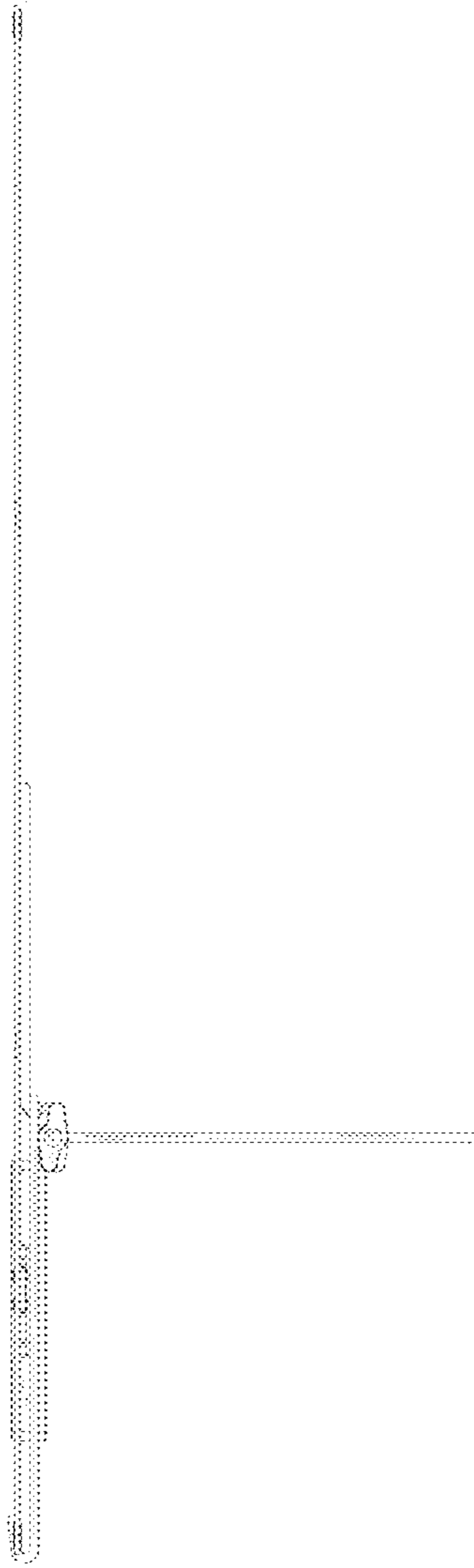


FIG. 7

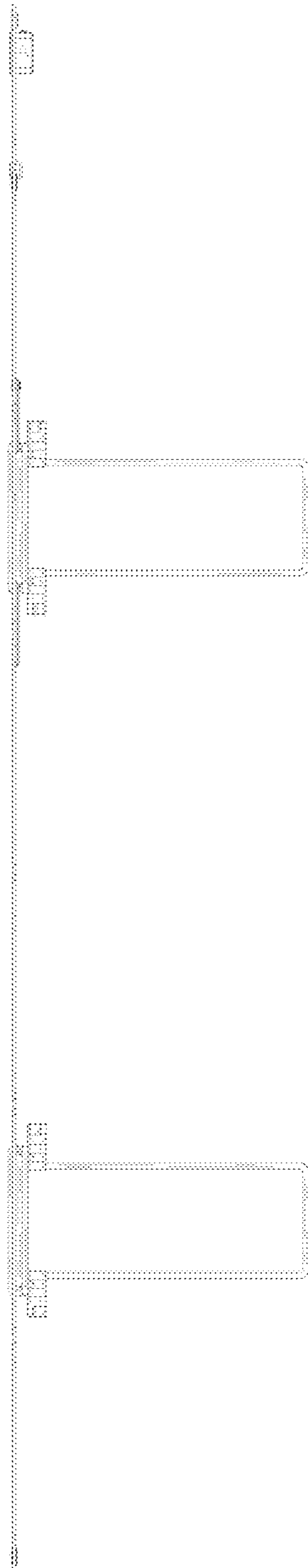


FIG. 8

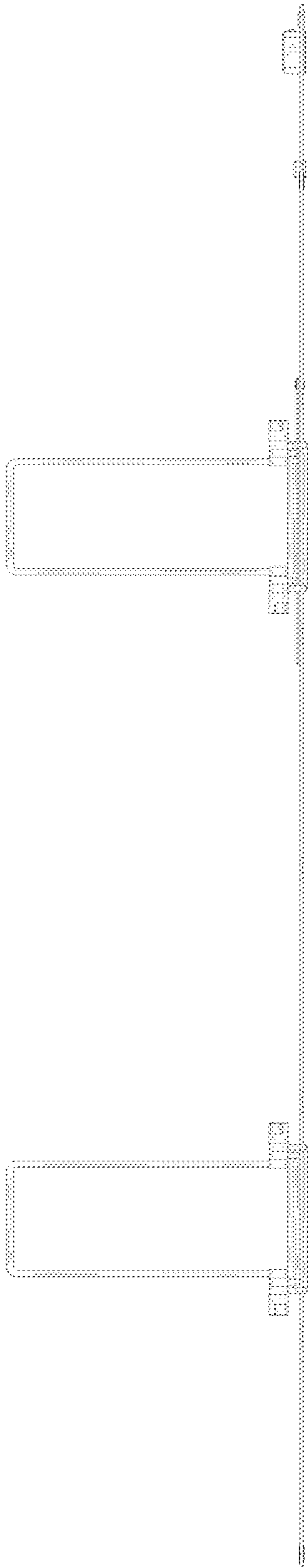


FIG. 9

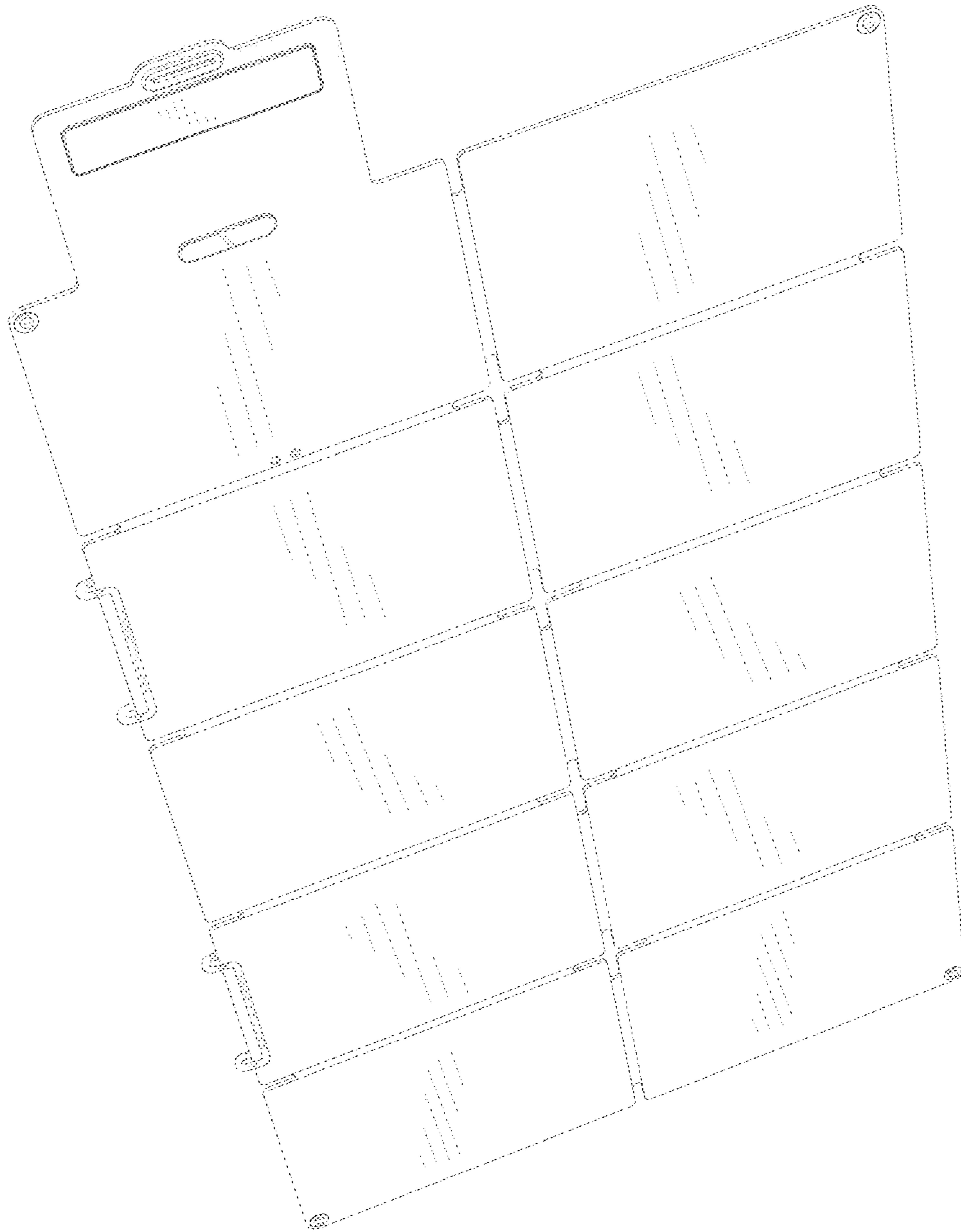


FIG. 10

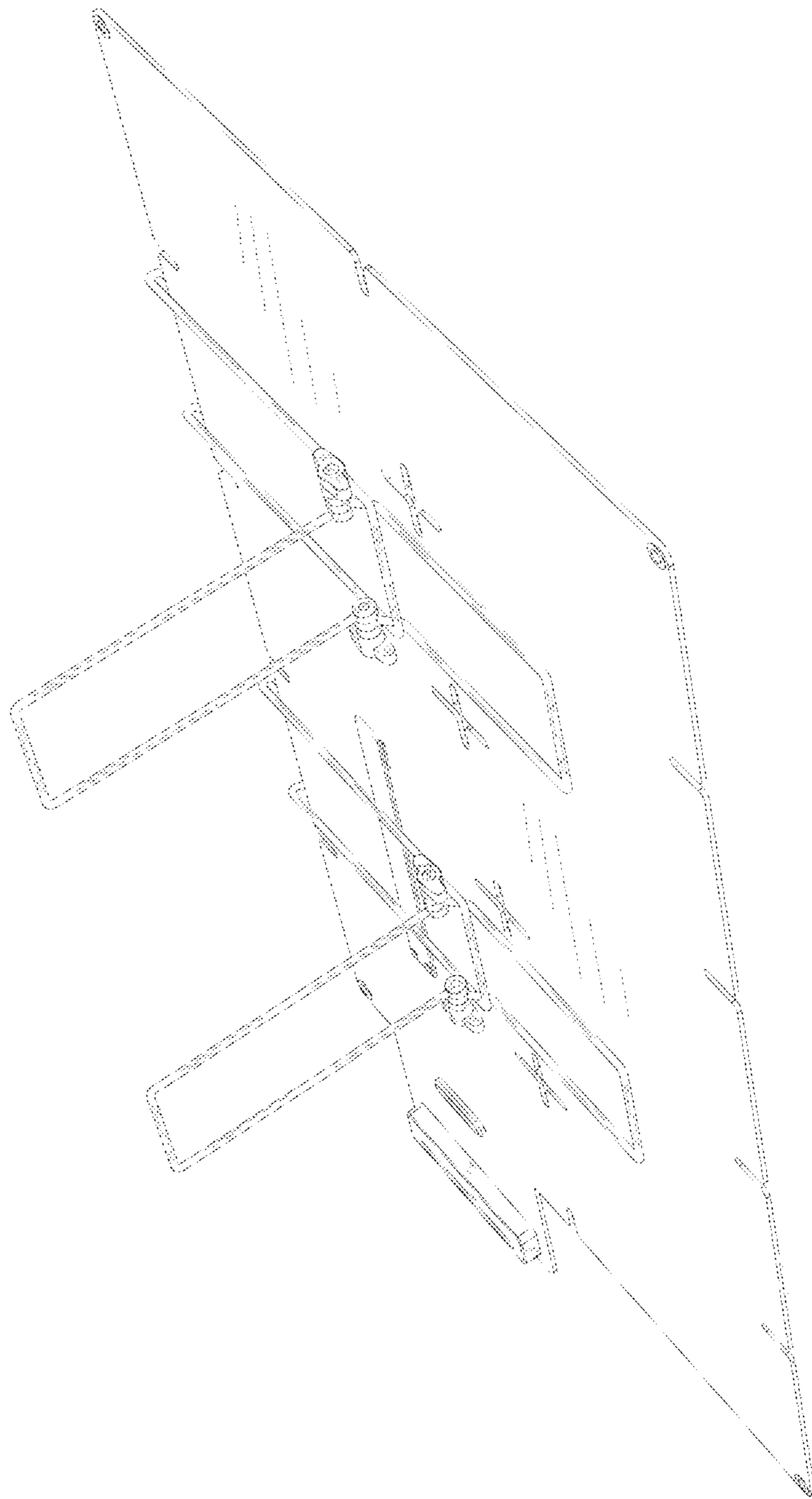


FIG. 11

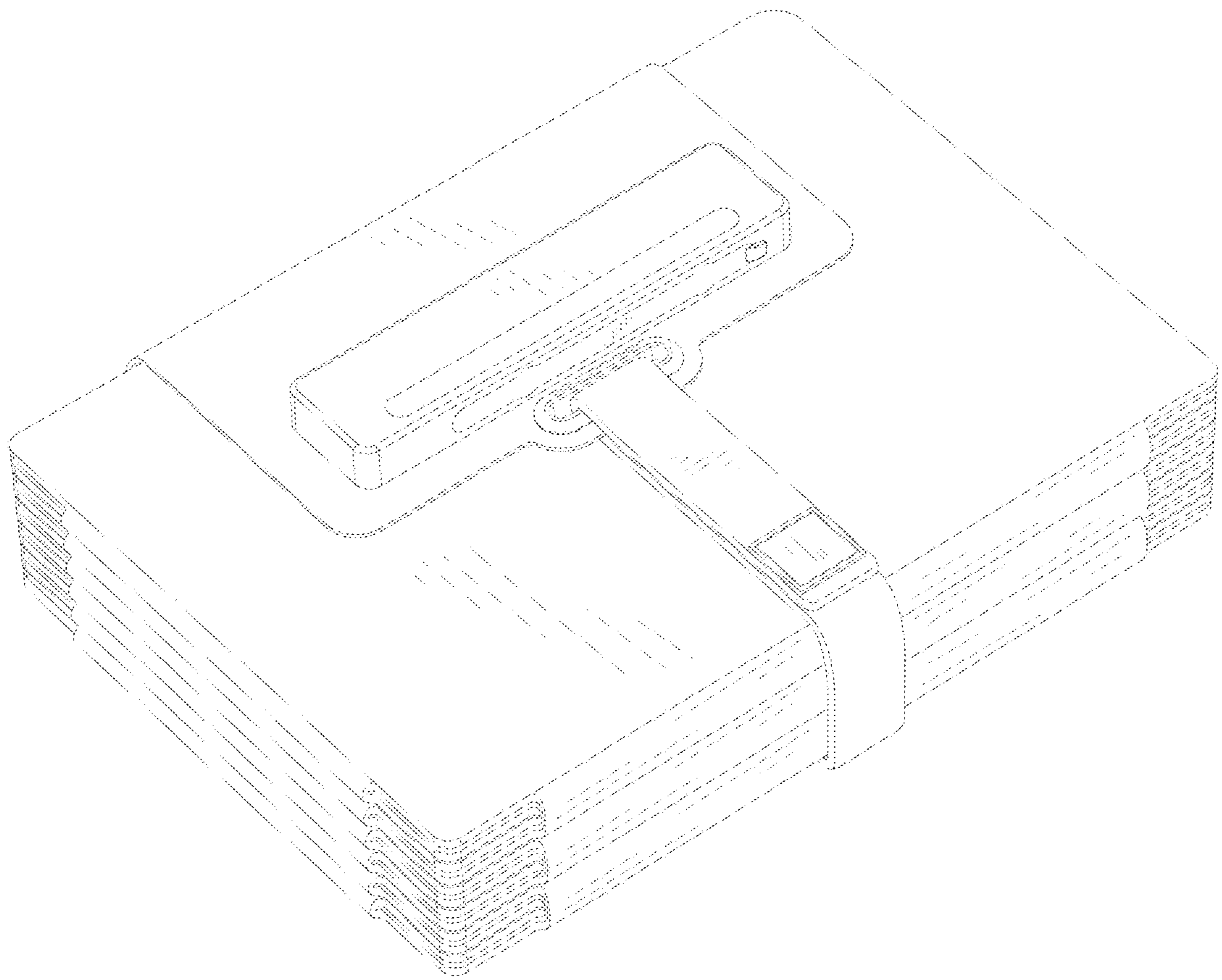


FIG. 12

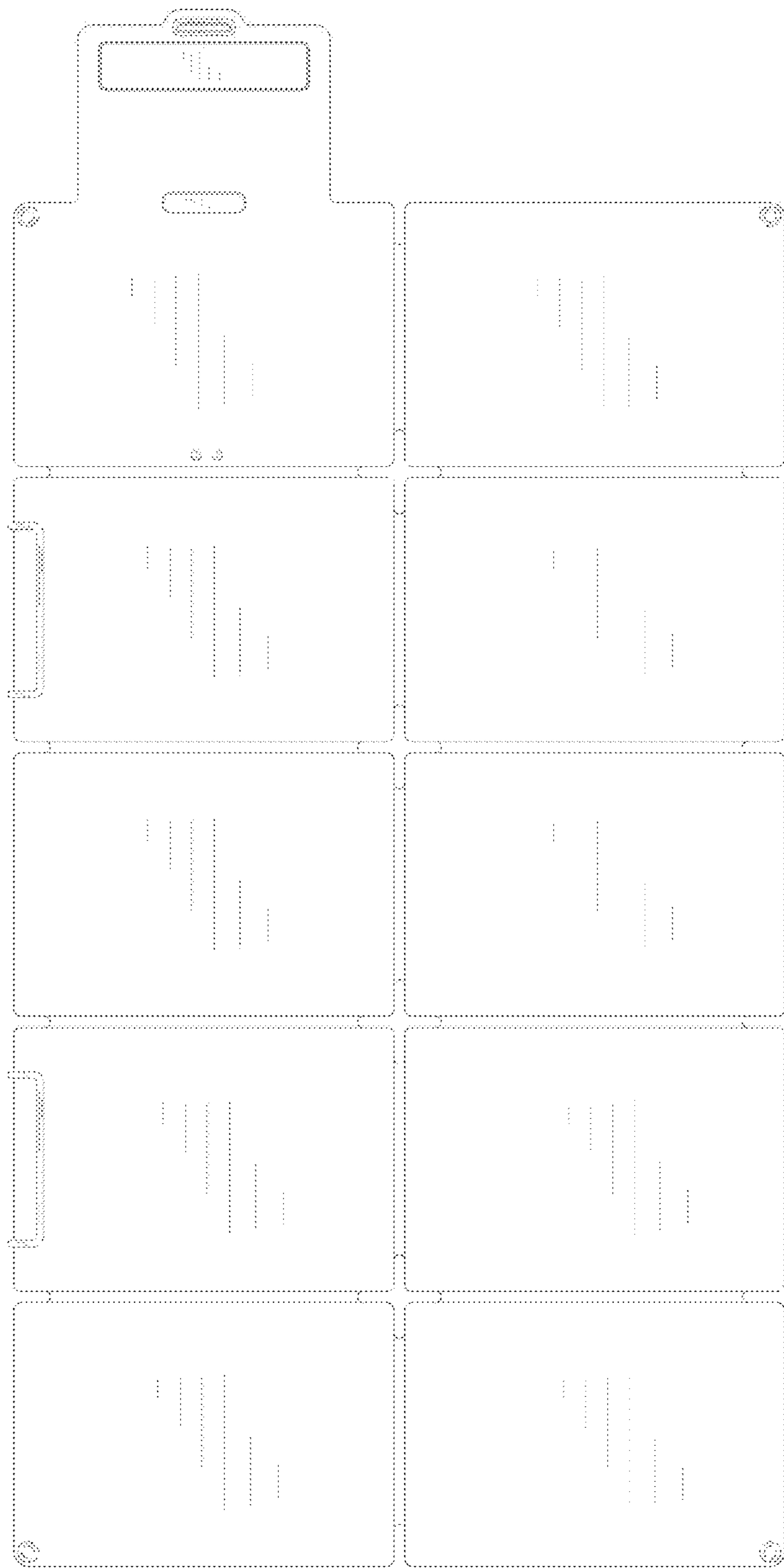


FIG. 13

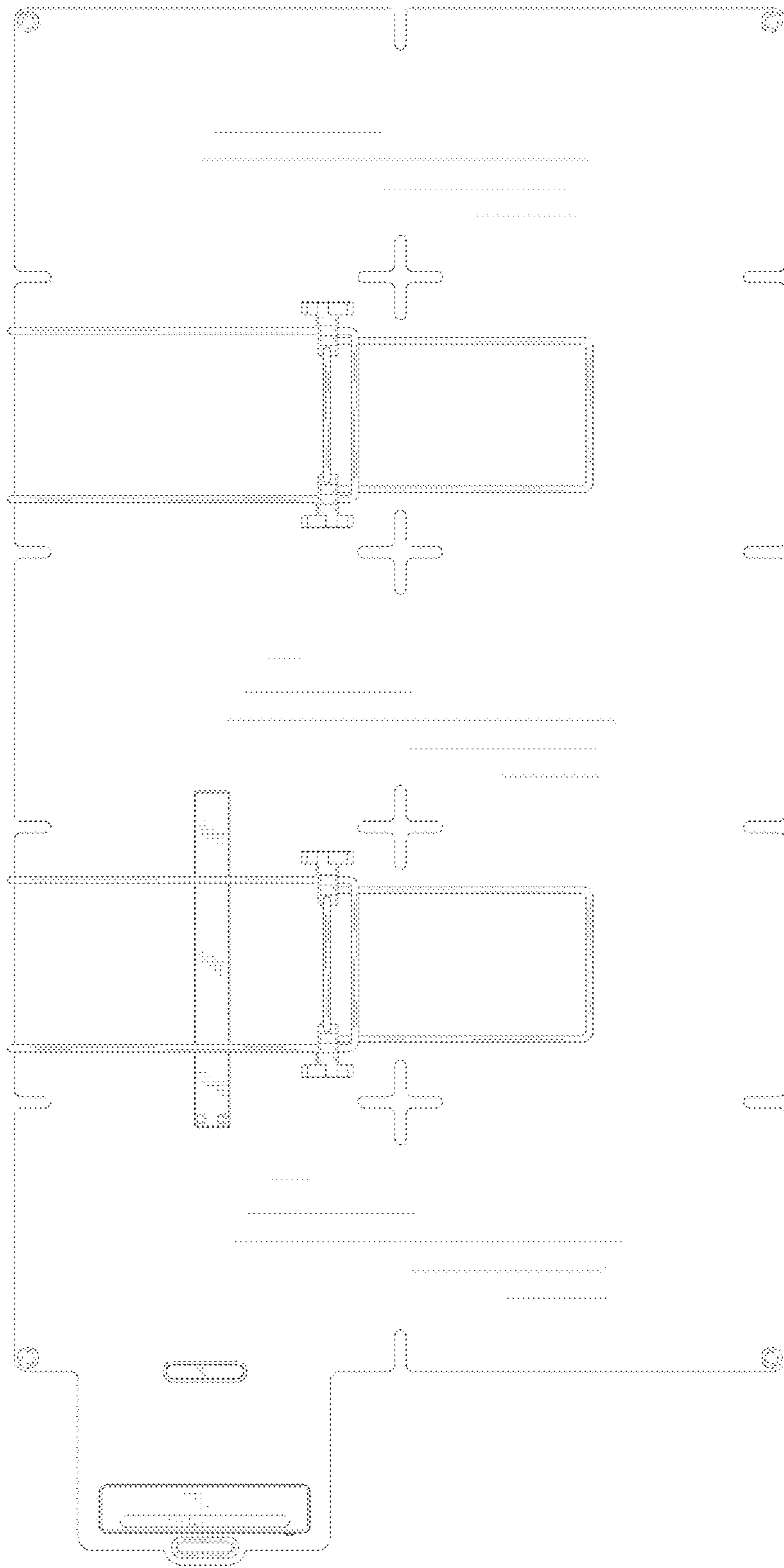


FIG. 14

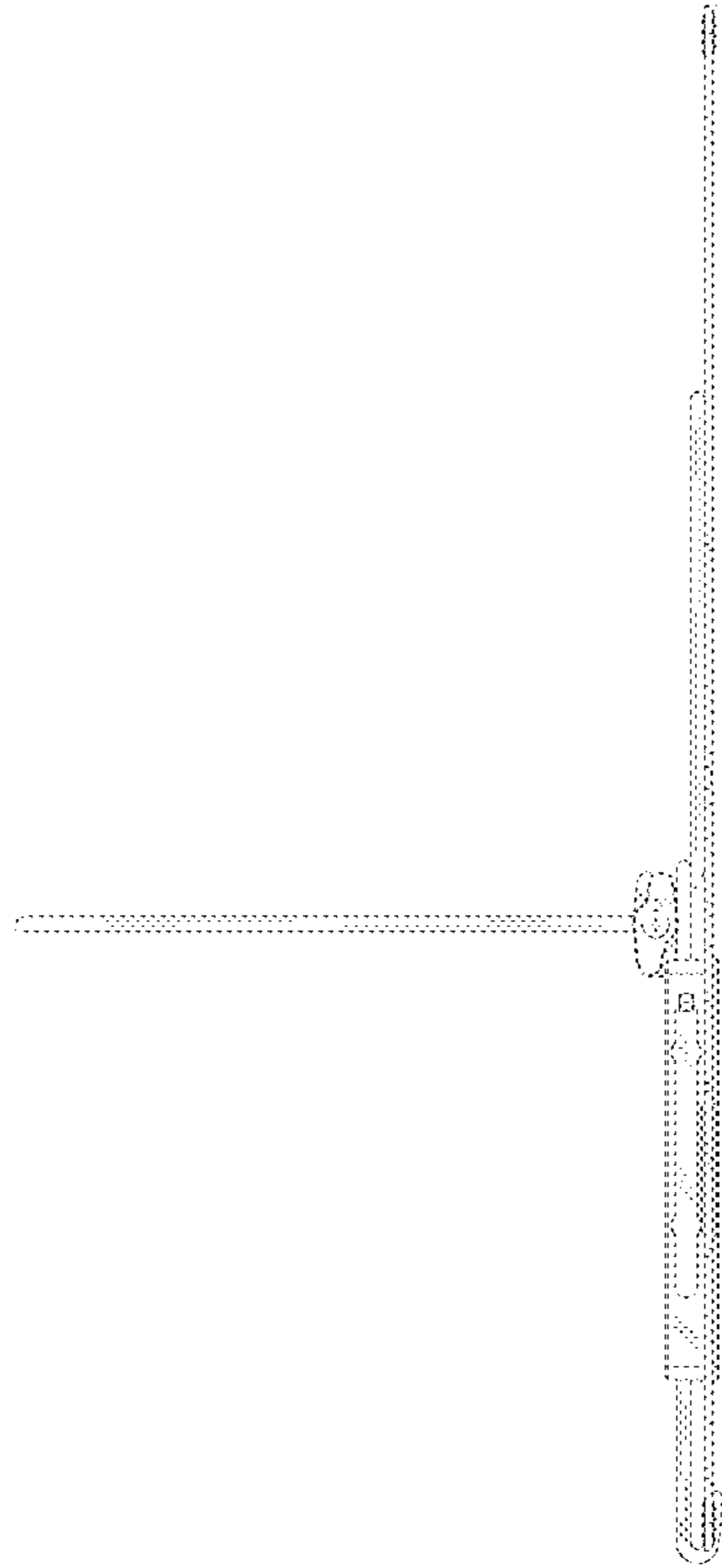


FIG. 15

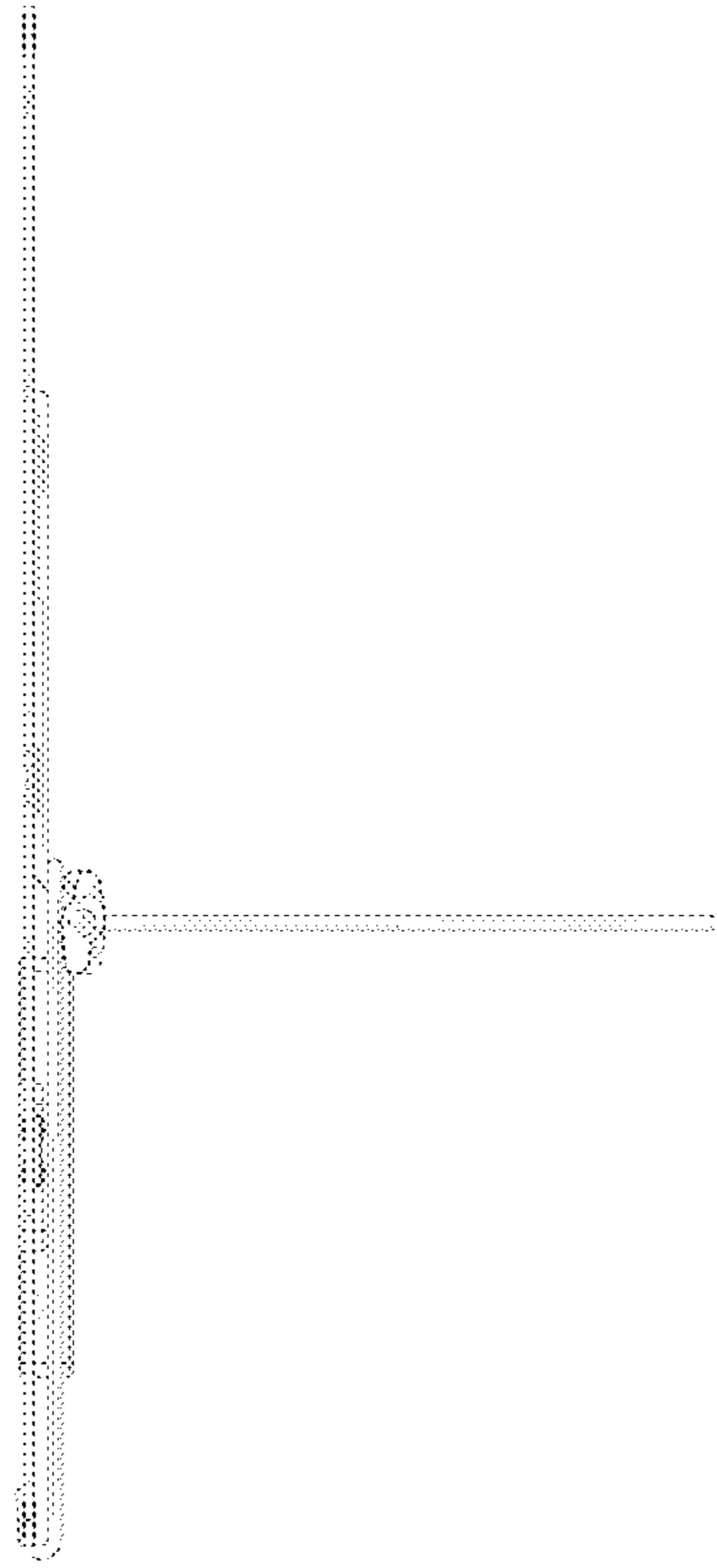


FIG. 16

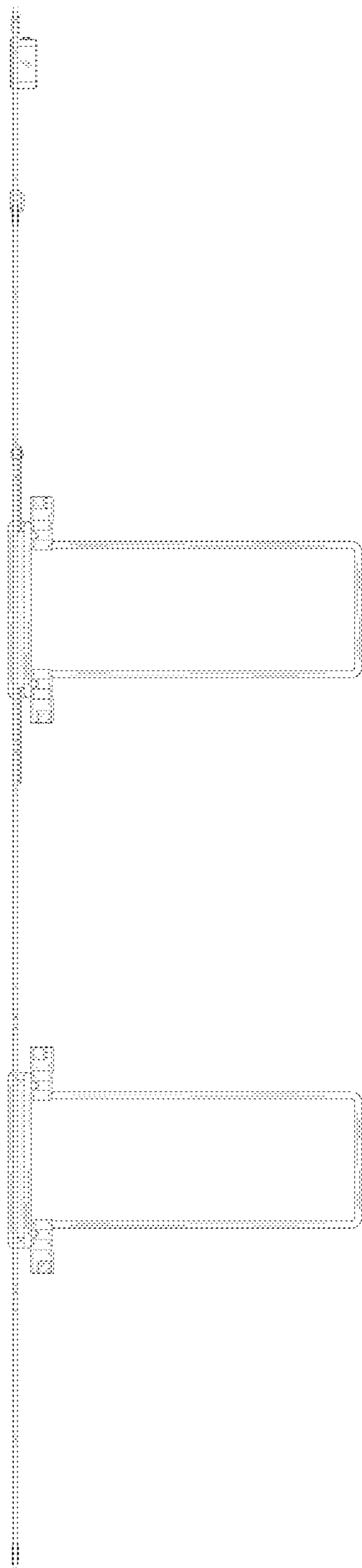


FIG. 17

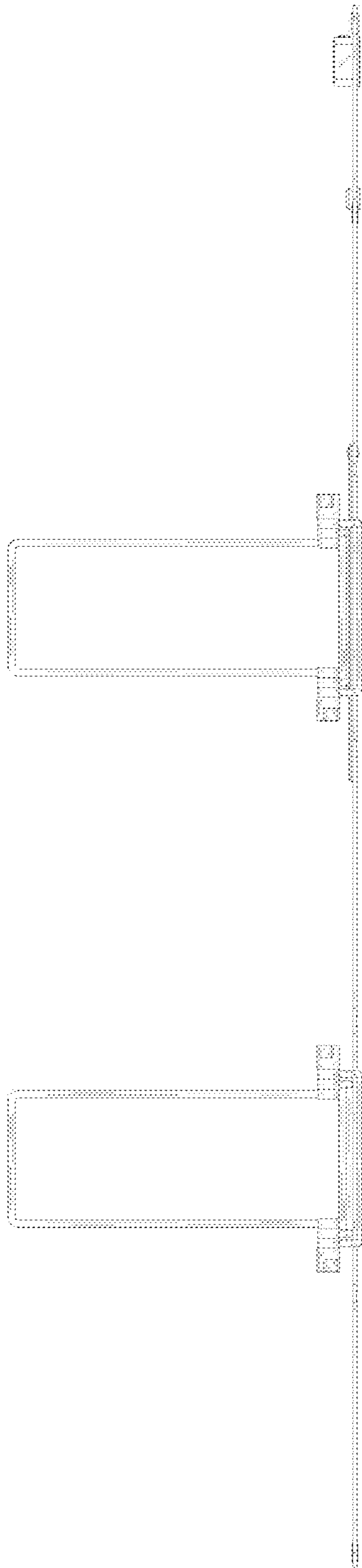


FIG. 18