



US00D943508S

(12) **United States Design Patent** (10) **Patent No.:** **US D943,508 S**
Zhou (45) **Date of Patent:** **** Feb. 15, 2022**

(54) **SOLAR CHARGING PANEL**
(71) Applicant: **Shenzhen Zhuochuang Vision Technology Co., Ltd.**, Guangdong (CN)
(72) Inventor: **Zhipeng Zhou**, Guangdong (CN)
(73) Assignee: **Shenzhen Zhuochuang Vision Technology Co., Ltd.**, Guangdong (CN)

D391,921 S * 3/1998 Zimmer D13/102
5,814,906 A * 9/1998 Spencer G06F 1/26
307/150
D505,113 S * 5/2005 Lam D13/107
D620,880 S * 8/2010 Xuan D13/102
D632,642 S * 2/2011 Chaney D13/102
D662,040 S * 6/2012 Yang D13/102
D671,885 S * 12/2012 Steinau D13/102
D697,864 S * 1/2014 McGrath D13/102
D710,298 S * 8/2014 Jie D13/102
2014/0083485 A1 * 3/2014 Nance H01L 31/02013
136/249

(**) Term: **15 Years**

* cited by examiner

(21) Appl. No.: **29/766,044**

Primary Examiner — Derrick E Holland
(74) *Attorney, Agent, or Firm* — ScienBiziP, P.C.

(22) Filed: **Jan. 13, 2021**

(51) **LOC (13) Cl.** **13-02**

(52) **U.S. Cl.**
USPC **D13/102**

(57) **CLAIM**

The ornamental design for a solar charging panel, as shown and described.

(58) **Field of Classification Search**
USPC D13/101, 102, 107, 110, 118, 133, 184,
D13/199
CPC H01L 31/02; H01L 31/18; H01L 31/042;
H01L 31/048; H01L 31/0201; H01L
31/0525; H01L 31/0203; H01L 31/02008;
H01L 31/0504; H01L 31/02013; H01L
27/142; H01L 27/1421; Y02E 10/40;
Y02E 10/47; Y02E 10/50; Y02E 10/52;
Y02E 10/54; Y02E 10/542; Y02E 10/544;
H02S 30/10; H02S 40/34; H02S 40/44;
H02J 7/0042

DESCRIPTION

FIG. 1 is a front, right, and top perspective view of a solar charging panel, showing my design.
FIG. 2 is a rear, left, and bottom perspective view thereof.
FIG. 3 is a front elevation view thereof.
FIG. 4 is a rear elevation view thereof.
FIG. 5 is a left side elevation view thereof.
FIG. 6 is a right side elevation view thereof.
FIG. 7 is a top plan view thereof.
FIG. 8 is a bottom plan view thereof; and,
FIG. 9 is a partial enlarged view of a solar panel labeled 9 in FIG. 1.
The broken lines shown depict the portions of the solar charging panel that form no part of the claimed design.
The short-dash long-dash broken lines in FIGS. 1 and 9 define the bounds of the claimed design and form no part thereof.

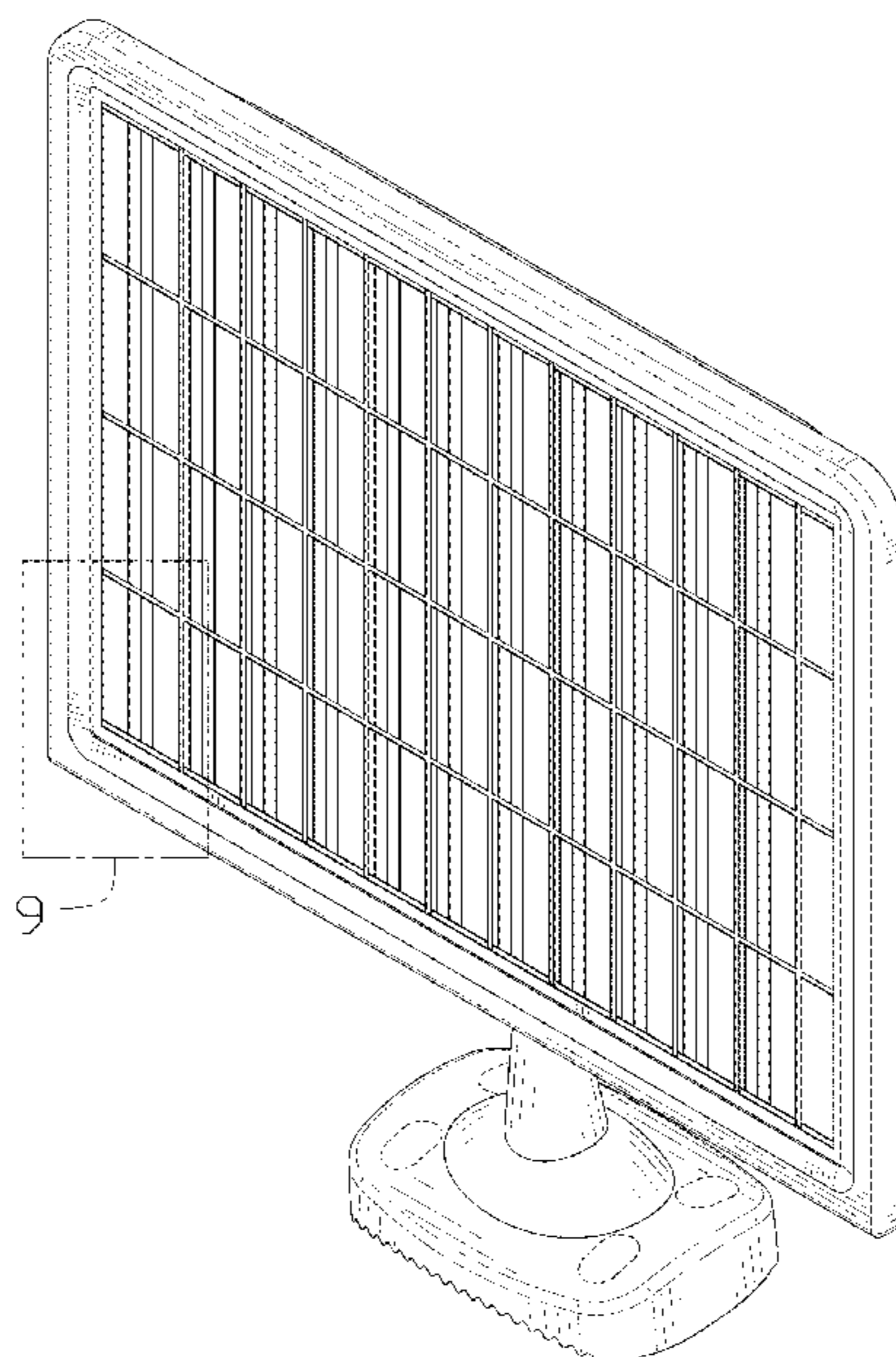
See application file for complete search history.

(56) **References Cited**

U.S. PATENT DOCUMENTS

4,172,739 A * 10/1979 Tassen H02S 20/32
136/246
D311,722 S * 10/1990 Cheng D13/102

1 Claim, 9 Drawing Sheets



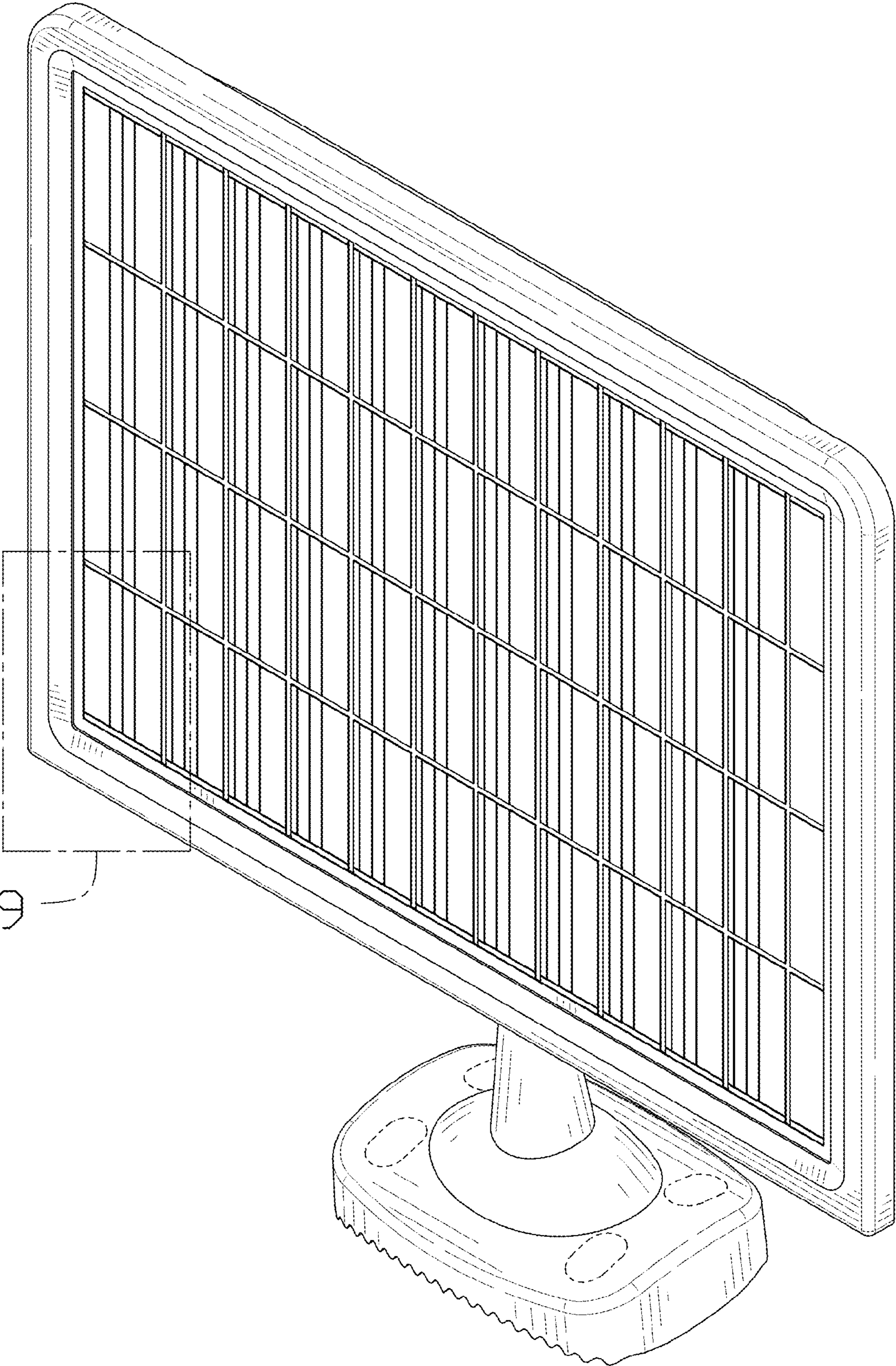


FIG. 1

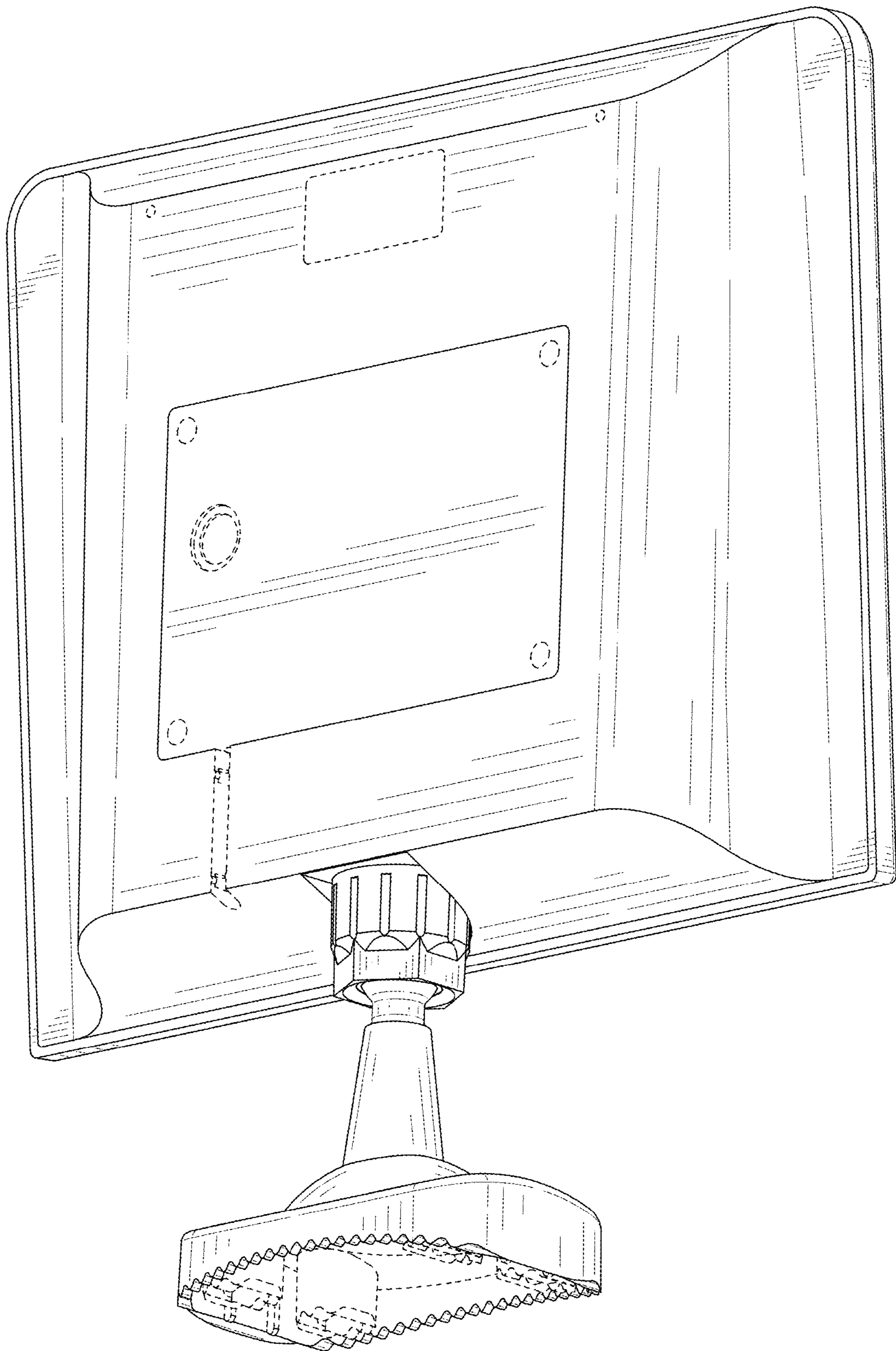


FIG. 2

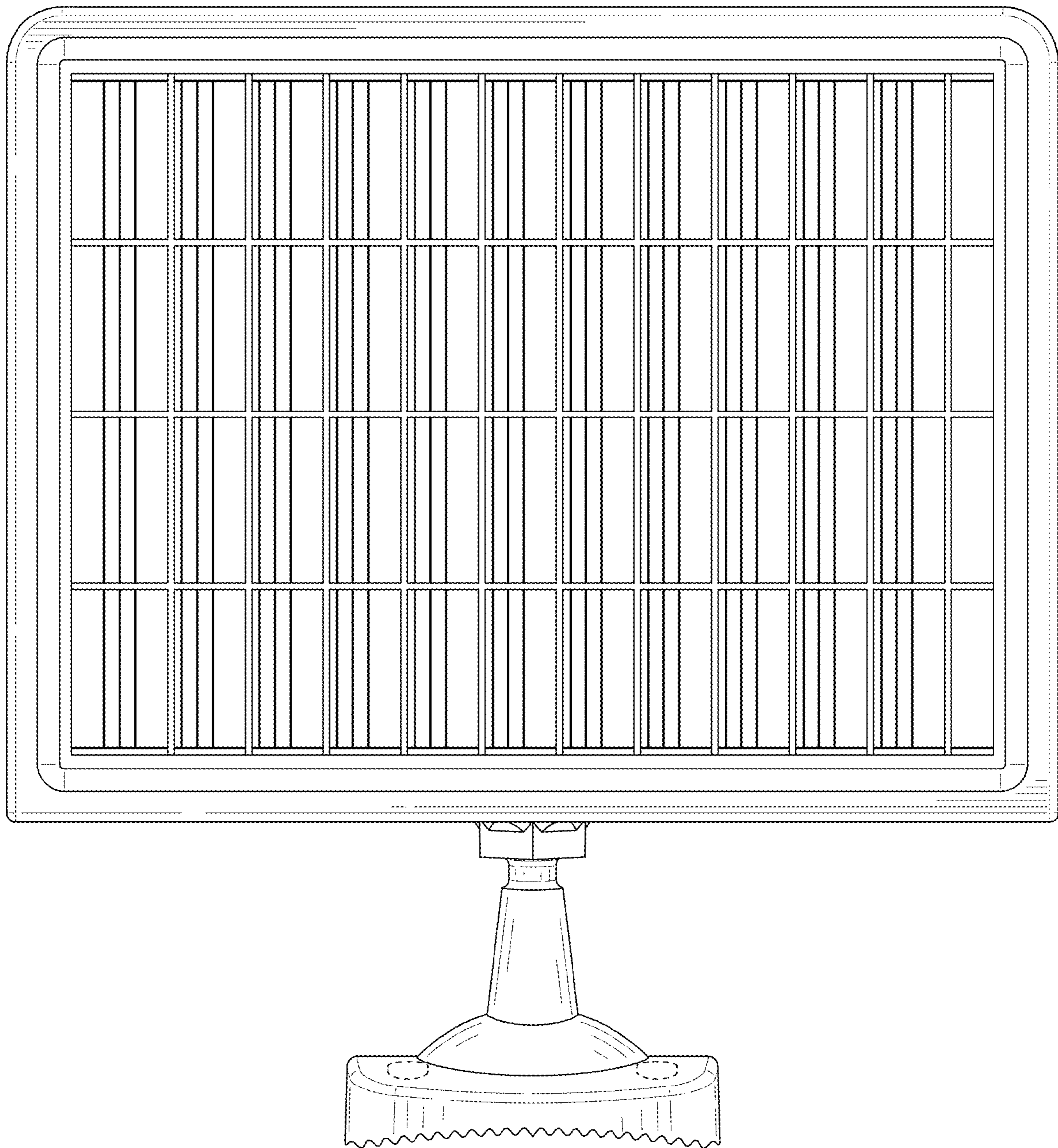


FIG. 3

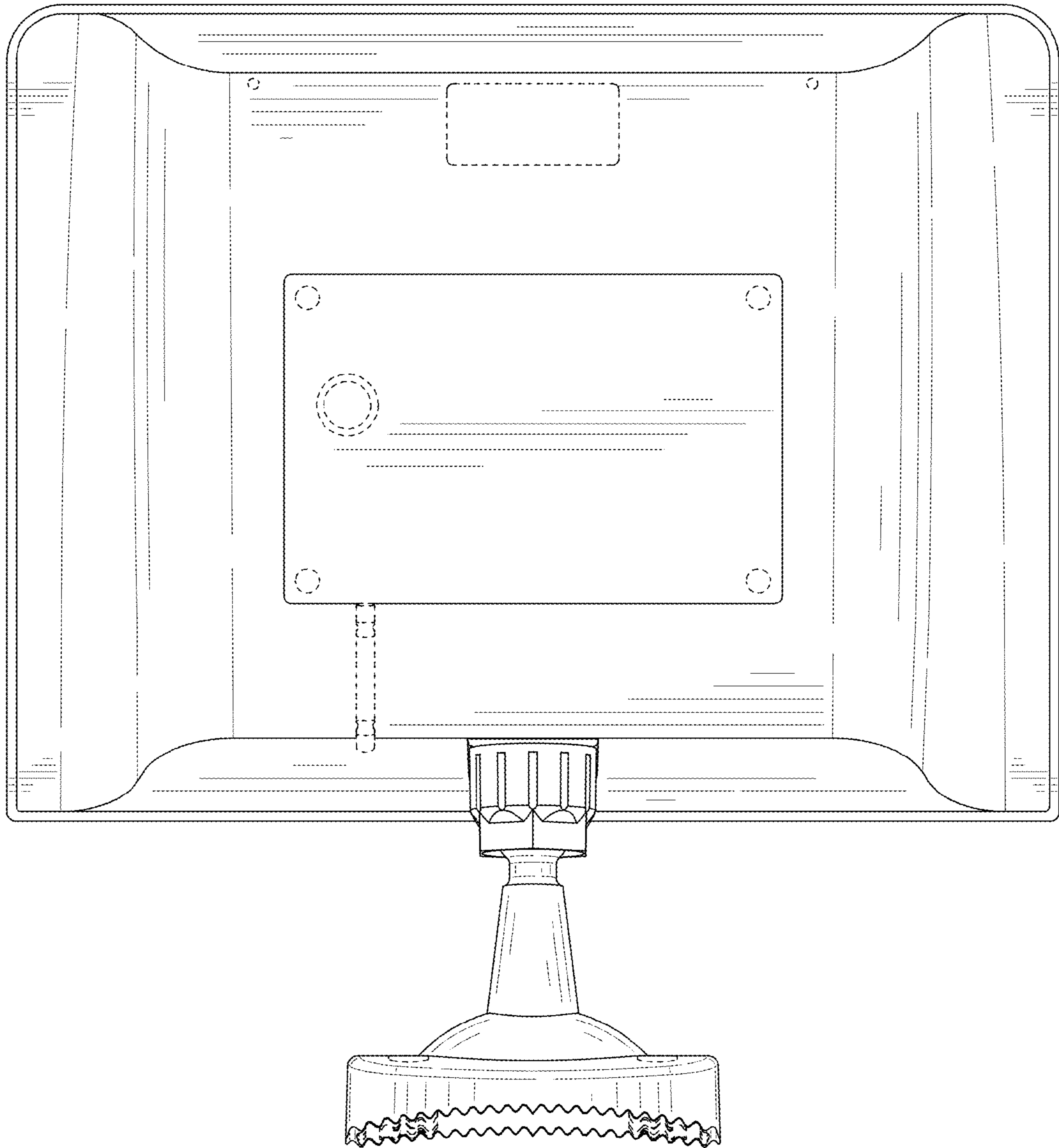


FIG. 4

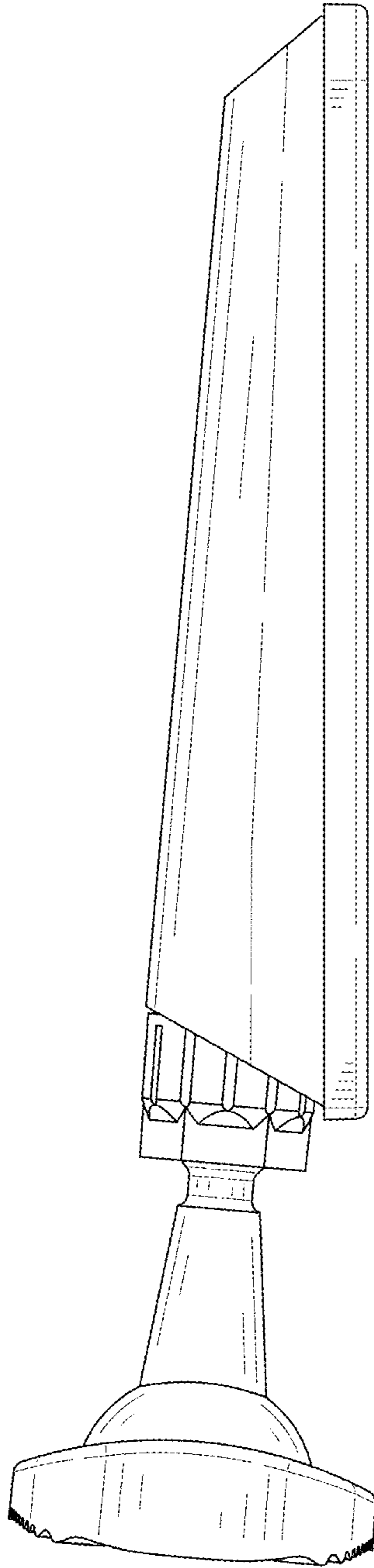


FIG. 5

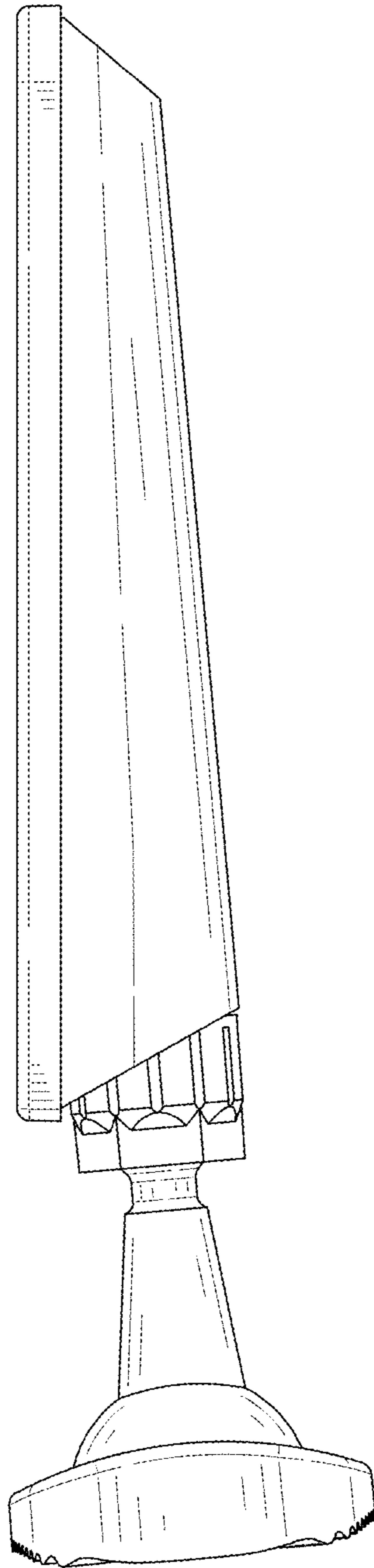


FIG. 6

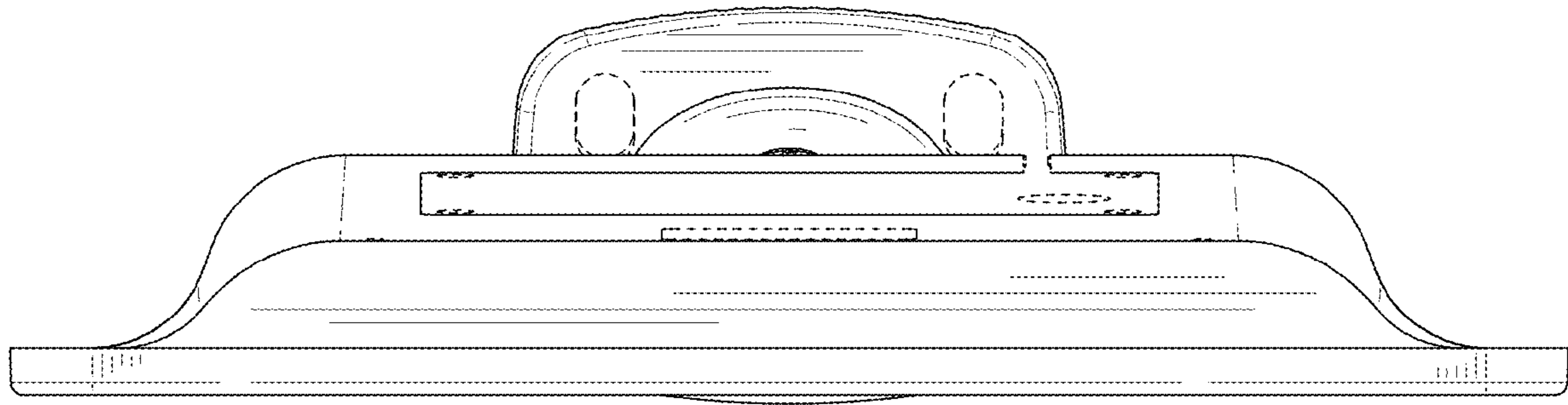


FIG. 7

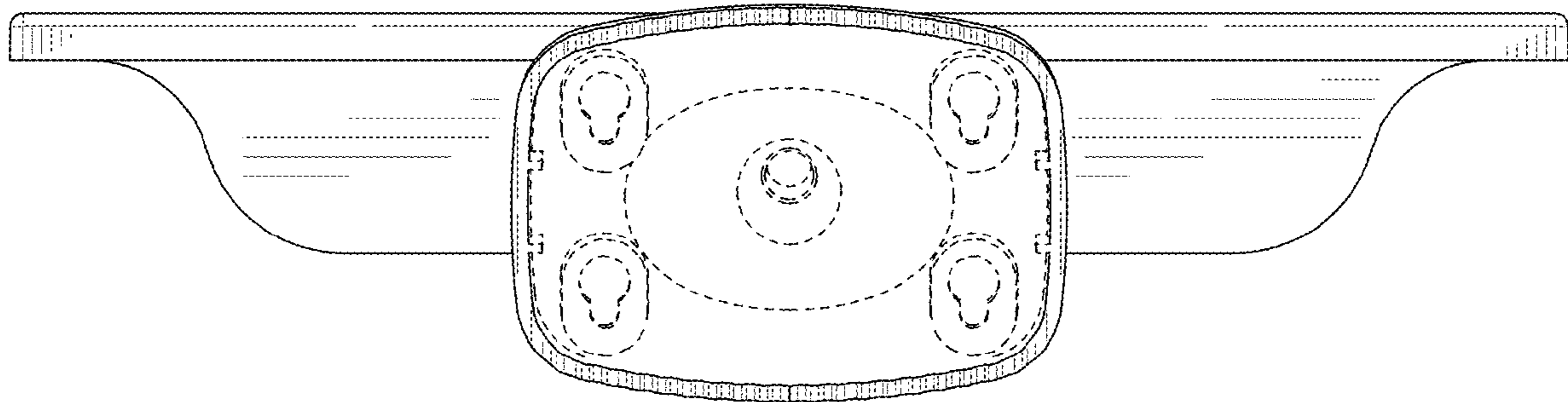


FIG. 8

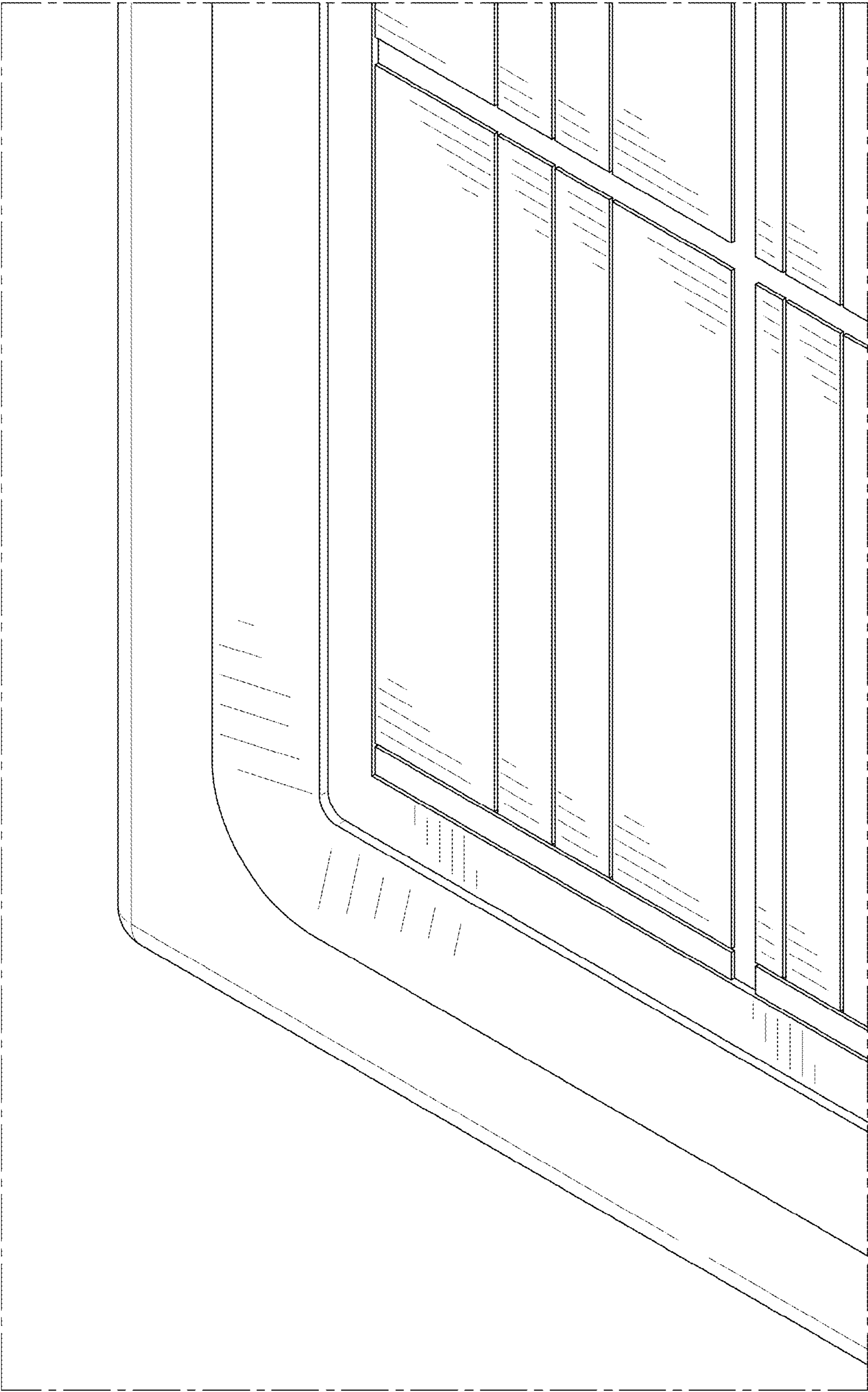


FIG. 9