



US00D943503S

(12) **United States Design Patent**  
**Nagasawa**

(10) **Patent No.:** **US D943,503 S**

(45) **Date of Patent:** **\*\* Feb. 15, 2022**

(54) **AUTOMOBILE TIRE**

(71) Applicant: **THE YOKOHAMA RUBBER CO., LTD.**, Tokyo (JP)

(72) Inventor: **Hideki Nagasawa**, Hiratsuka (JP)

(73) Assignee: **THE YOKOHAMA RUBBER CO., LTD.**, Tokyo (JP)

(\*\*) Term: **15 Years**

(21) Appl. No.: **29/733,313**

(22) Filed: **Apr. 30, 2020**

(30) **Foreign Application Priority Data**

Nov. 29, 2019 (JP) ..... 2019-026596

(51) **LOC (13) Cl.** ..... **12-15**

(52) **U.S. Cl.**  
USPC ..... **D12/600**

(58) **Field of Classification Search**  
USPC ..... D12/568-604, 900  
CPC ..... Y10T 152/10027; B60C 1/0016; B60C 11/0306; B60C 11/0302; B60C 3/06; B60C 9/17  
See application file for complete search history.

(56) **References Cited**

**U.S. PATENT DOCUMENTS**

D456,769 S *	5/2002	Dixon	.....	D12/600
D601,085 S *	9/2009	Janesh	.....	D12/600
D608,729 S *	1/2010	Brown	.....	D12/600
D616,357 S *	5/2010	Cerny	.....	D12/600
D642,974 S *	8/2011	Koshio	.....	D12/600
D646,220 S *	10/2011	Tamura	.....	D12/600
D656,087 S *	3/2012	Yokomakura	.....	D12/588
D738,293 S *	9/2015	Cothran	.....	D12/580
D738,815 S *	9/2015	Dixon	.....	D12/594
D761,194 S *	7/2016	Dixon	.....	D12/600

D784,251 S *	4/2017	Cerny	.....	D12/600
D787,436 S *	5/2017	Dixon	.....	D12/600
D828,290 S *	9/2018	Reygrobelle	.....	D12/588
D845,225 S *	4/2019	Kochanek	.....	D12/600
D861,587 S *	10/2019	Kochanek	.....	D12/600
D870,652 S *	12/2019	Lundgren	.....	D12/594
D878,286 S *	3/2020	Cerny	.....	D12/600
D880,411 S *	4/2020	Liu	.....	D12/600
2020/0070588 A1 *	3/2020	Cerny	.....	B60C 11/1218
2021/0300123 A1 *	9/2021	Nagasawa	.....	B60C 11/042

\* cited by examiner

*Primary Examiner* — John A Voytek

(74) *Attorney, Agent, or Firm* — Banner & Witcoff, Ltd.

(57) **CLAIM**

The ornamental design for an automobile tire, as shown and described.

**DESCRIPTION**

FIG. 1 is a perspective view of an automobile tire showing my design;

FIG. 2 is a front view thereof;

FIG. 3 is a rear view thereof;

FIG. 4 is a right side view thereof;

FIG. 5 is a left side view thereof;

FIG. 6 is a top view thereof;

FIG. 7 is a bottom view thereof;

FIG. 8 is a partially enlarged view of a portion defined by lines 8-8 shown in FIG. 1;

FIG. 9 is a partially enlarged view of a portion defined by lines 9-9 shown in FIG. 2; and,

FIG. 10 is a cross sectional view of a portion defined by lines 10-10 shown in FIG. 9.

In the drawings, the broken lines depict environmental subject matter only and form no part of the claimed design.

The dot and dashed lines represents a boundary between the claimed portion and the non-claimed portion.

**1 Claim, 10 Drawing Sheets**

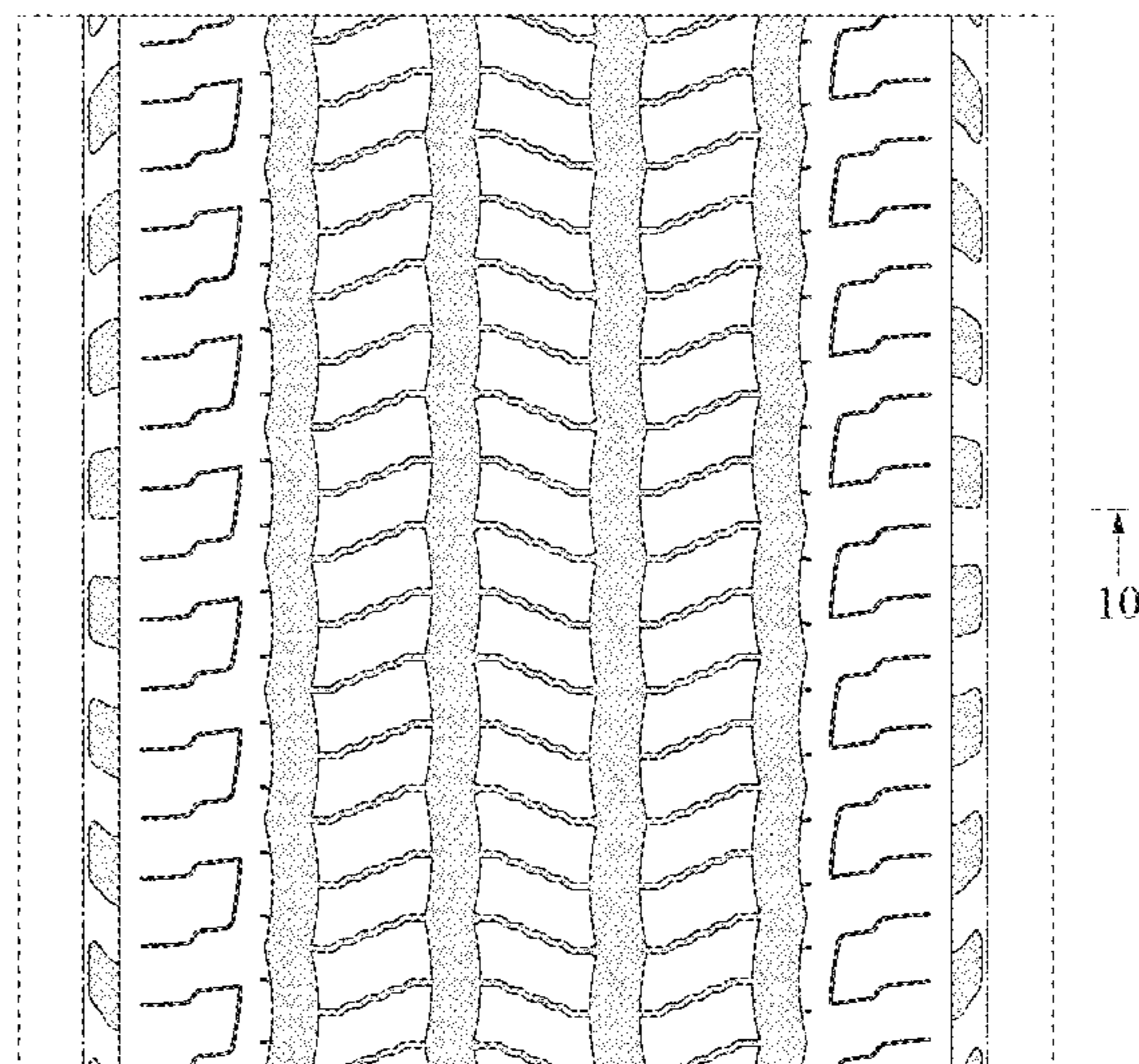
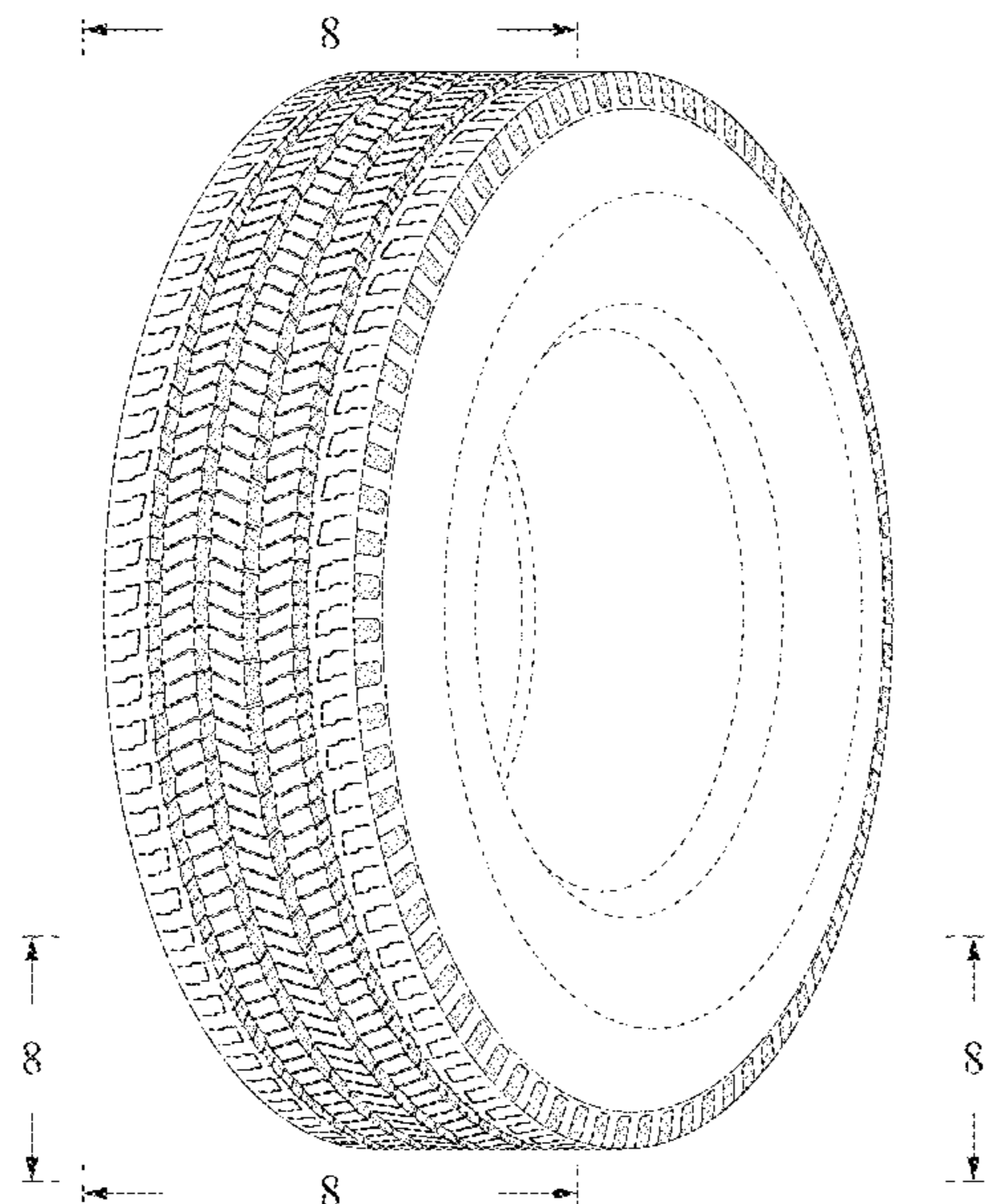
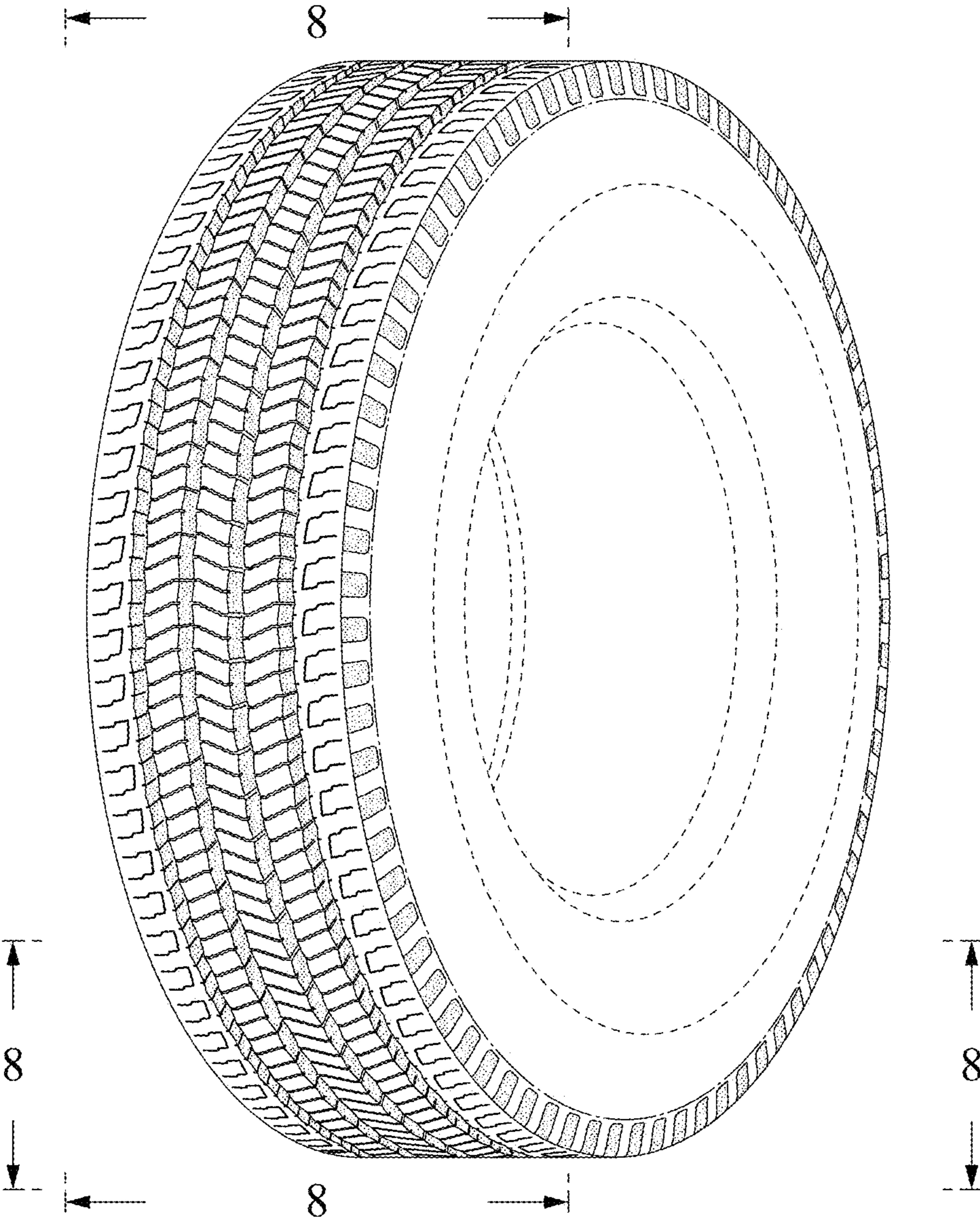
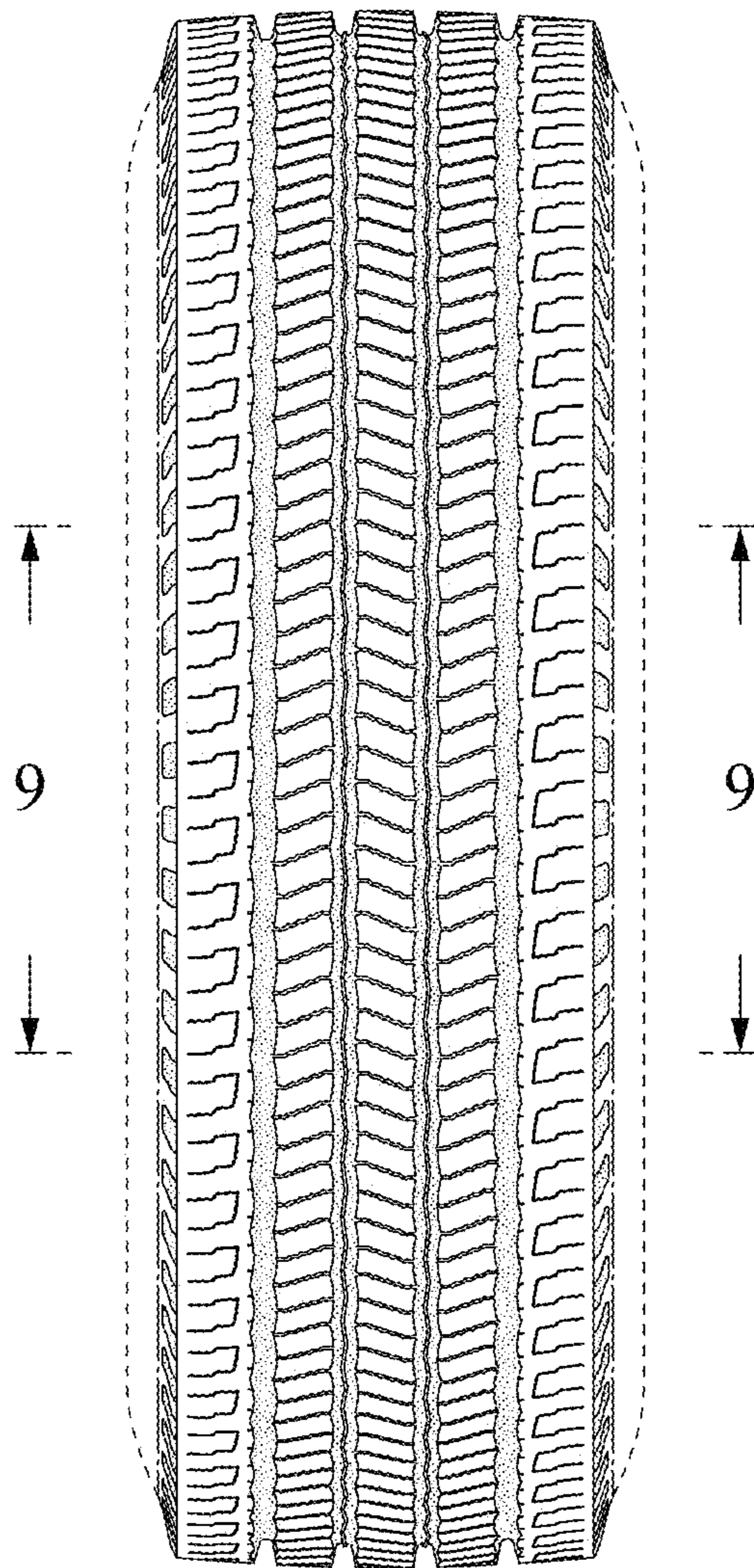


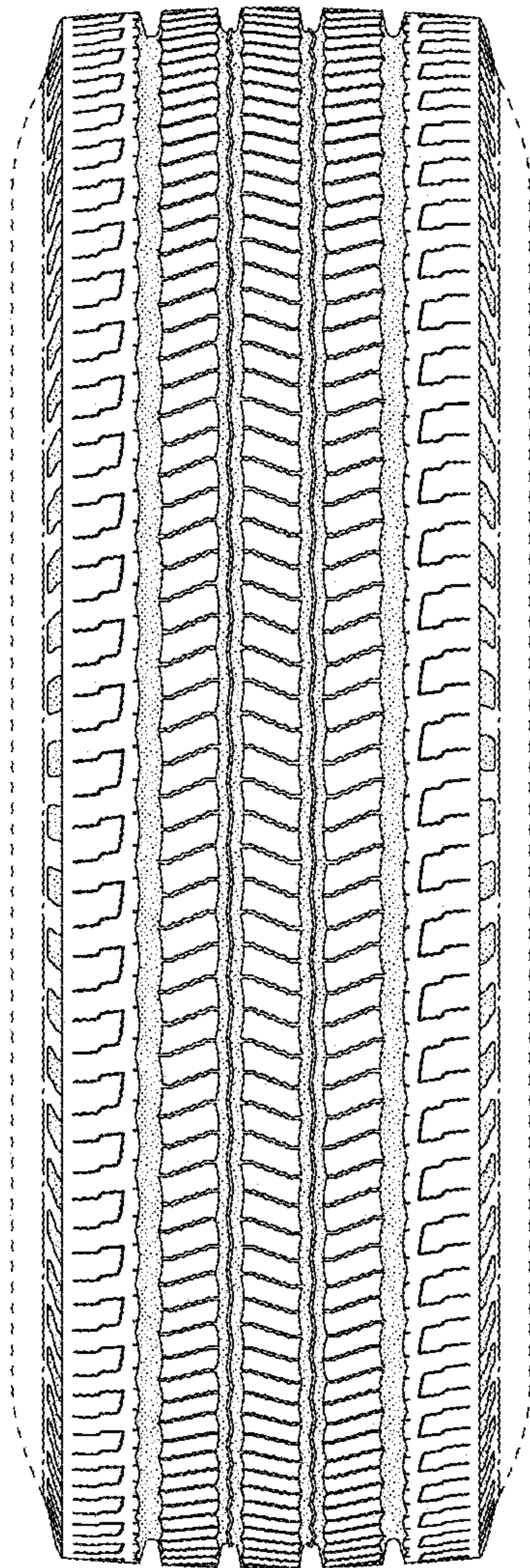
FIG. 1



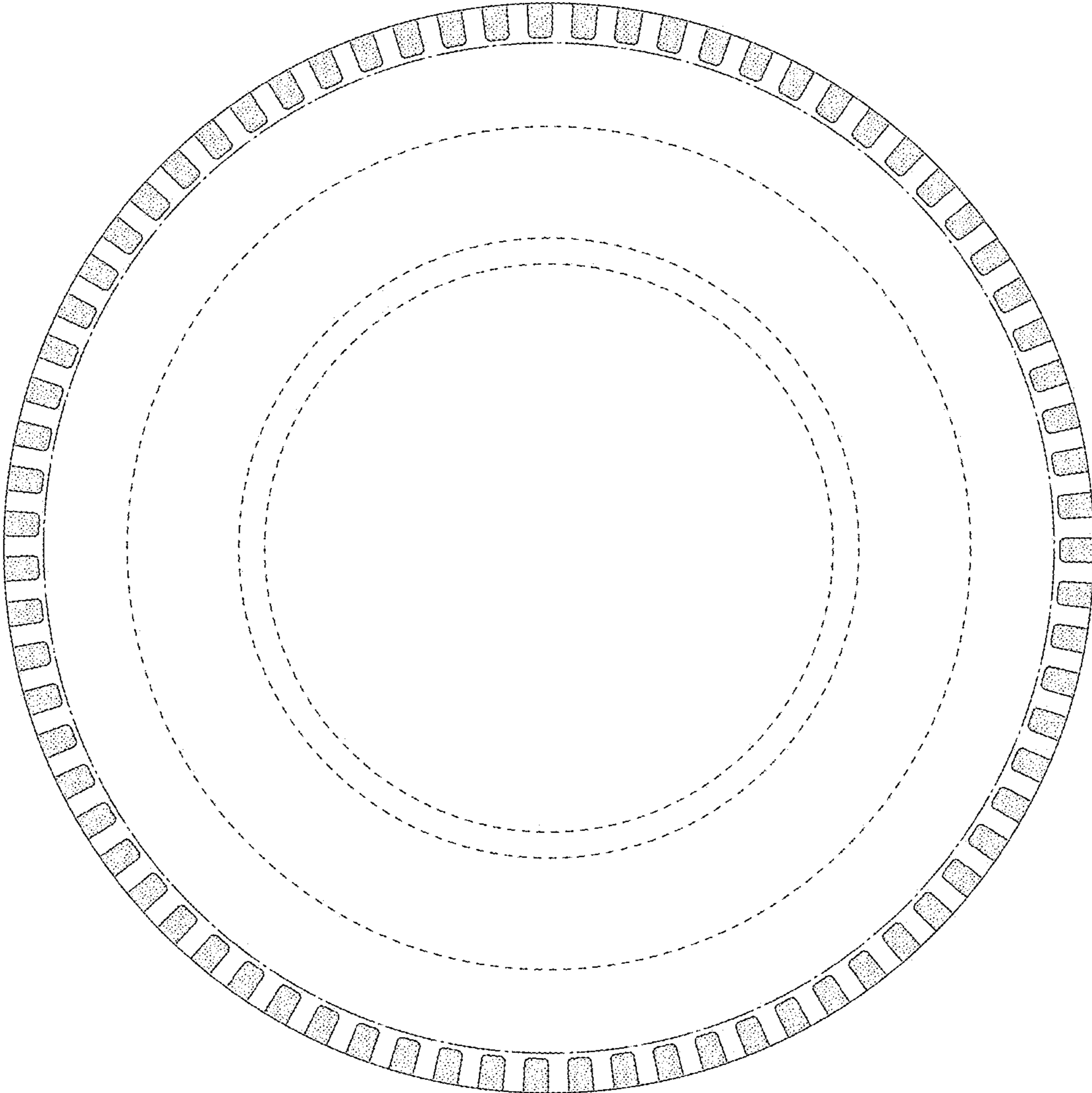
**FIG. 2**



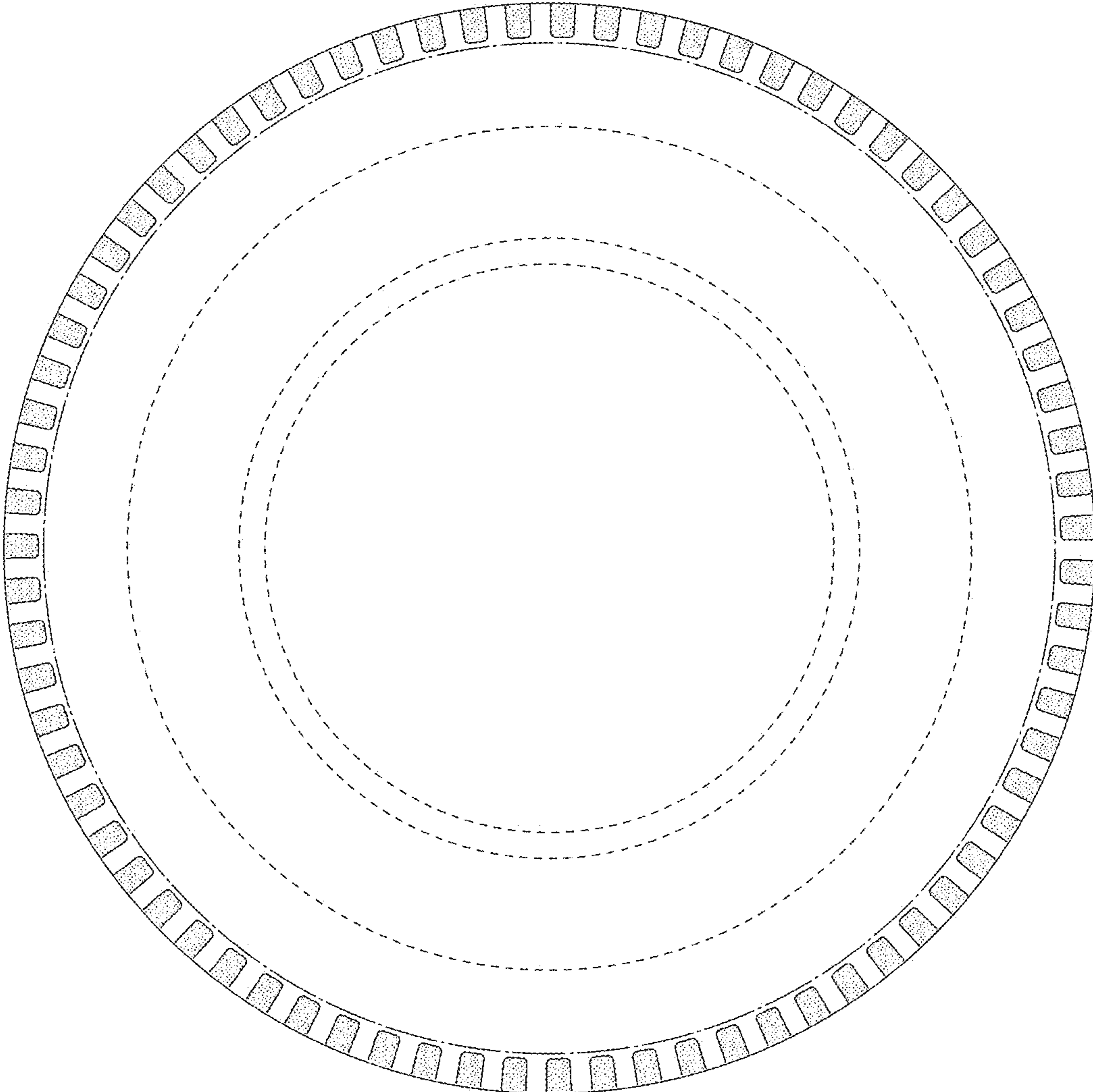
**FIG. 3**



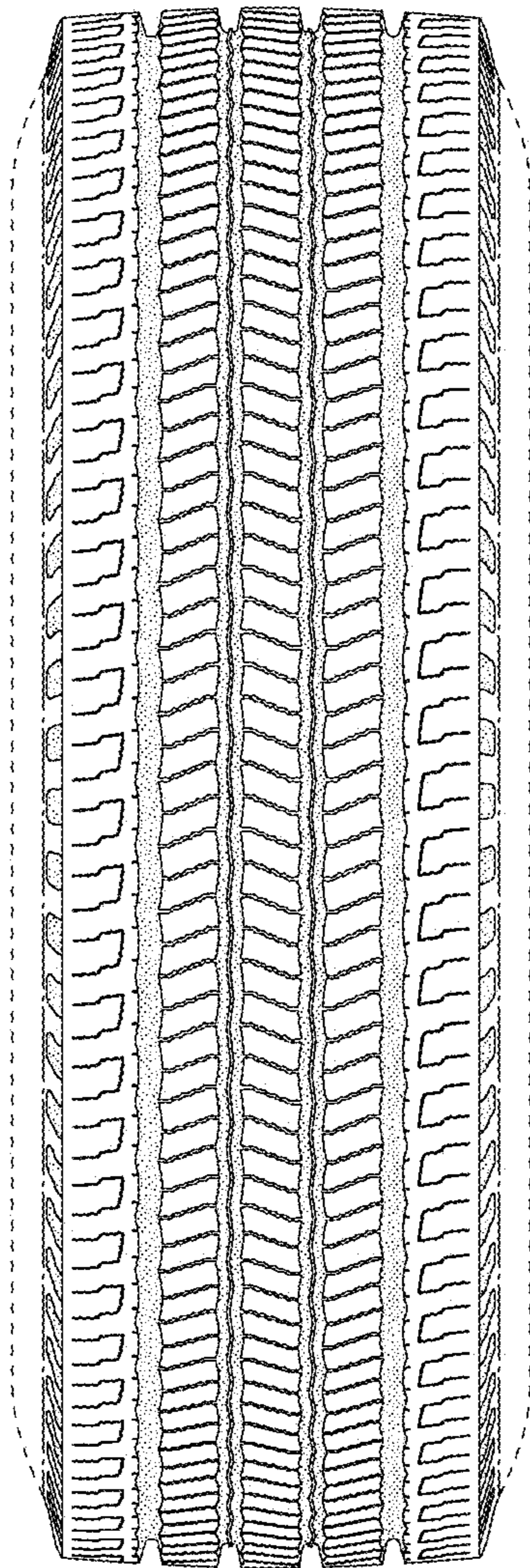
**FIG. 4**



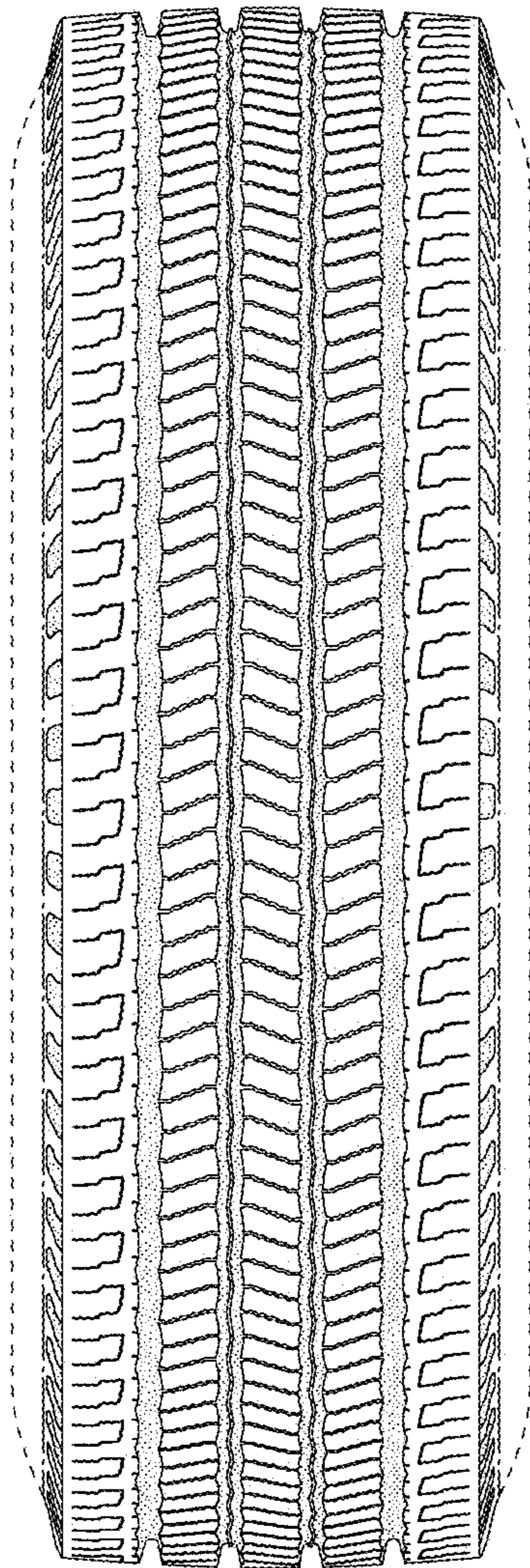
**FIG. 5**



**FIG. 6**



**FIG. 7**





**FIG. 8**

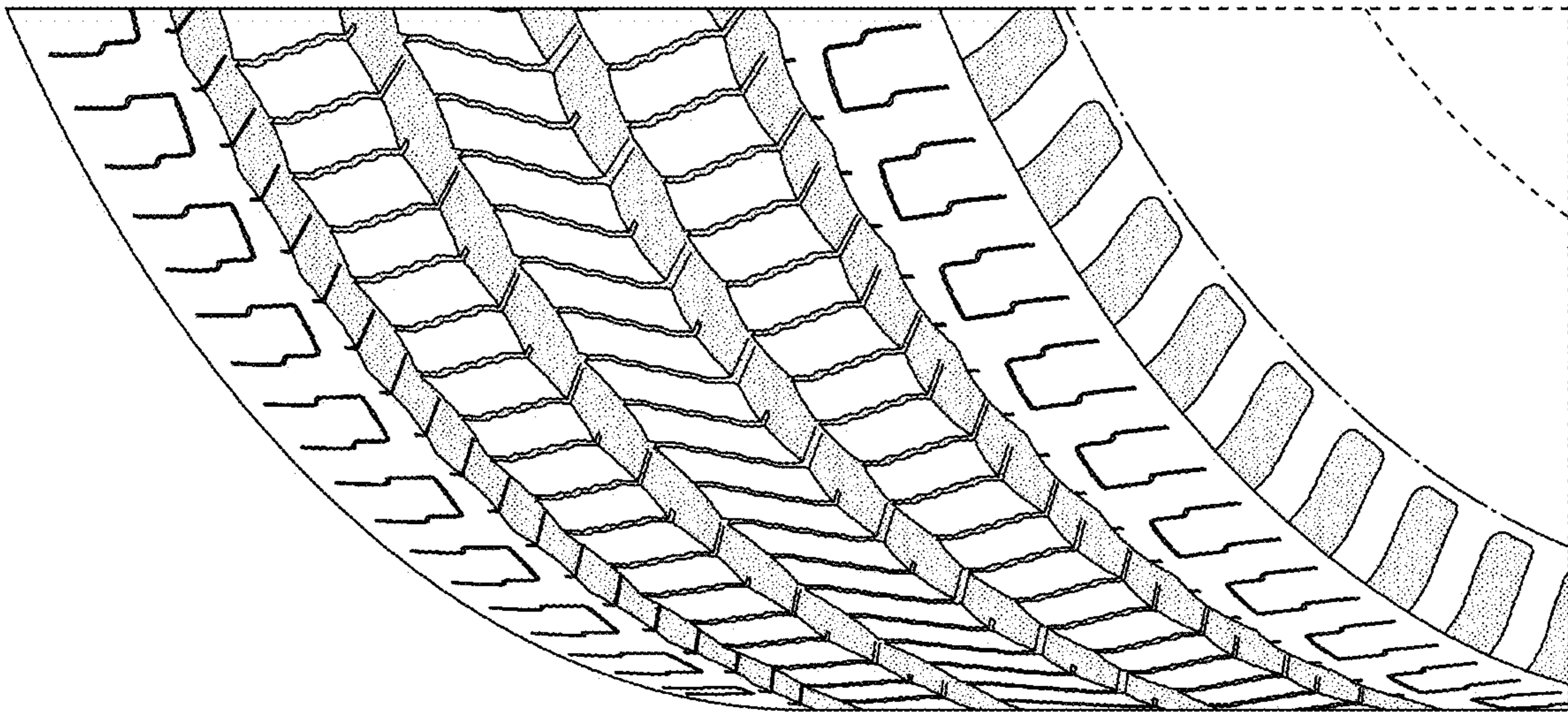
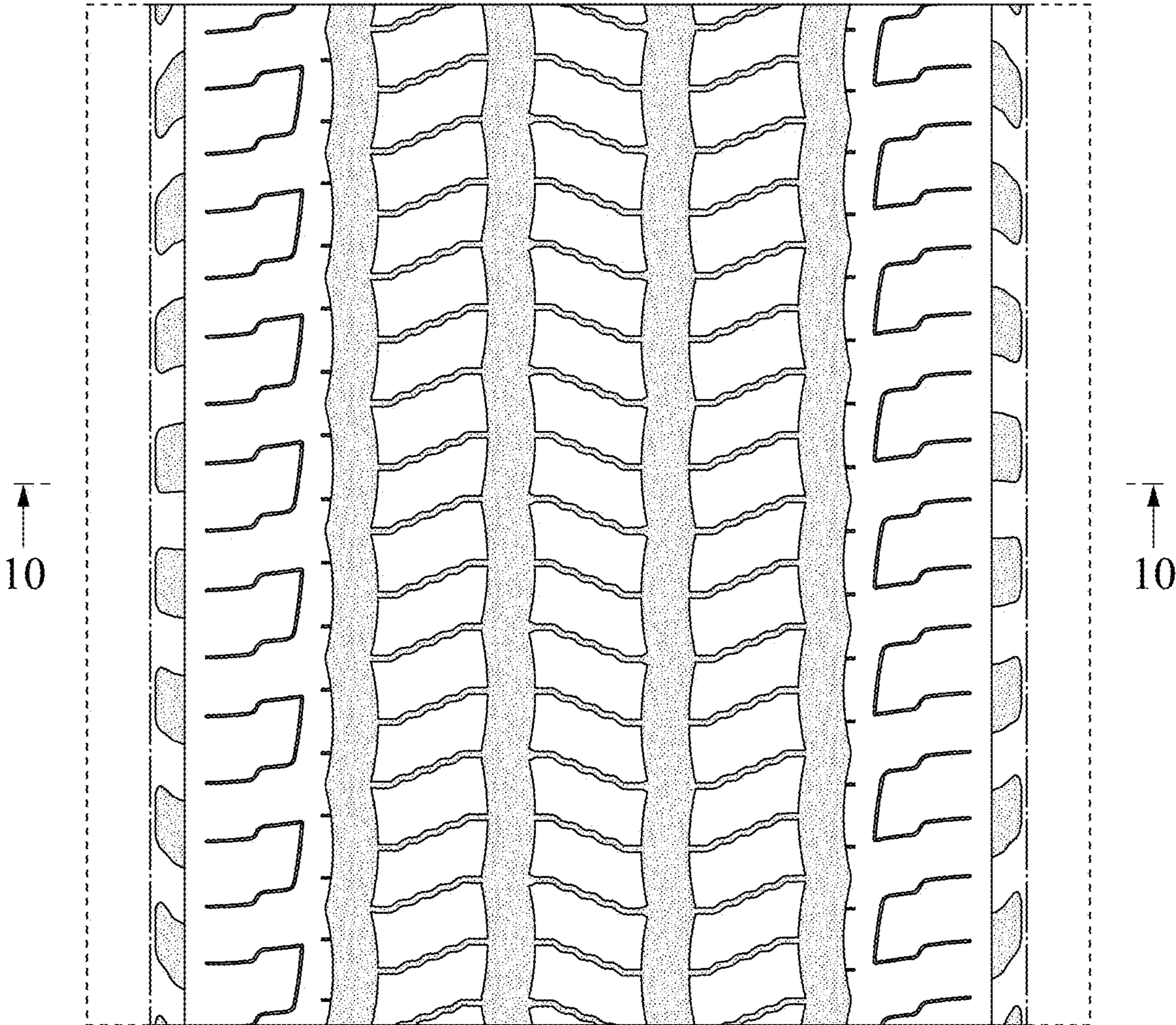


FIG. 9



**FIG. 10**

