



US00D943500S

(12) **United States Design Patent**
Wada

(10) **Patent No.:** **US D943,500 S**

(45) **Date of Patent:** **** Feb. 15, 2022**

(54) **AUTOMOBILE TIRE**

(71) Applicant: **THE YOKOHAMA RUBBER CO., LTD.**, Tokyo (JP)

(72) Inventor: **Hironori Wada**, Hiratsuka (JP)

(73) Assignee: **THE YOKOHAMA RUBBER CO., LTD.**, Tokyo (JP)

(**) Term: **15 Years**

(21) Appl. No.: **29/733,230**

(22) Filed: **Apr. 30, 2020**

(30) **Foreign Application Priority Data**

Dec. 3, 2019 (JP) 2019-026899

(51) **LOC (13) Cl.** **12-15**

(52) **U.S. Cl.**
USPC **D12/579**

(58) **Field of Classification Search**
USPC D12/568-604, 900
CPC Y10T 152/10027; B60C 1/0016; B60C 11/0306; B60C 11/0302; B60C 3/06; B60C 9/17
See application file for complete search history.

(56) **References Cited**

U.S. PATENT DOCUMENTS

D393,435 S * 4/1998 Graas D12/593
D458,585 S * 6/2002 Rayman D12/579
D483,009 S * 12/2003 Rayman D12/602
D604,690 S * 11/2009 Dixon D12/579

D610,071 S * 2/2010 Song D12/579
D648,262 S * 11/2011 Hermann D12/579
D686,143 S * 7/2013 Larregain D12/581
D788,688 S * 6/2017 Schultz D12/579
D805,024 S * 12/2017 Lo D12/579
2019/0275841 A1* 9/2019 Stuckey B60C 11/0008

* cited by examiner

Primary Examiner — John A Voytek

(74) *Attorney, Agent, or Firm* — Banner & Witcoff, Ltd.

(57) **CLAIM**

The ornamental design for an automobile tire, as shown and described.

DESCRIPTION

FIG. 1 is a perspective view of an automobile tire showing my design;

FIG. 2 is a front view thereof;

FIG. 3 is a rear view thereof;

FIG. 4 is a right side view thereof;

FIG. 5 is a left side view thereof;

FIG. 6 is a top view thereof;

FIG. 7 is a bottom view thereof;

FIG. 8 is a partially enlarged view of a portion defined by lines 8-8 shown in FIG. 1;

FIG. 9 is a partially enlarged view of a portion defined by lines 9-9 shown in FIG. 2; and,

FIG. 10 is a cross sectional view of a portion defined by lines 10-10 shown in FIG. 9.

In the drawings, the broken lines depict environmental subject matter only and form no part of the claimed design.

The dot and dashed lines represents a boundary between the claimed portion and the non-claimed portion.

1 Claim, 10 Drawing Sheets

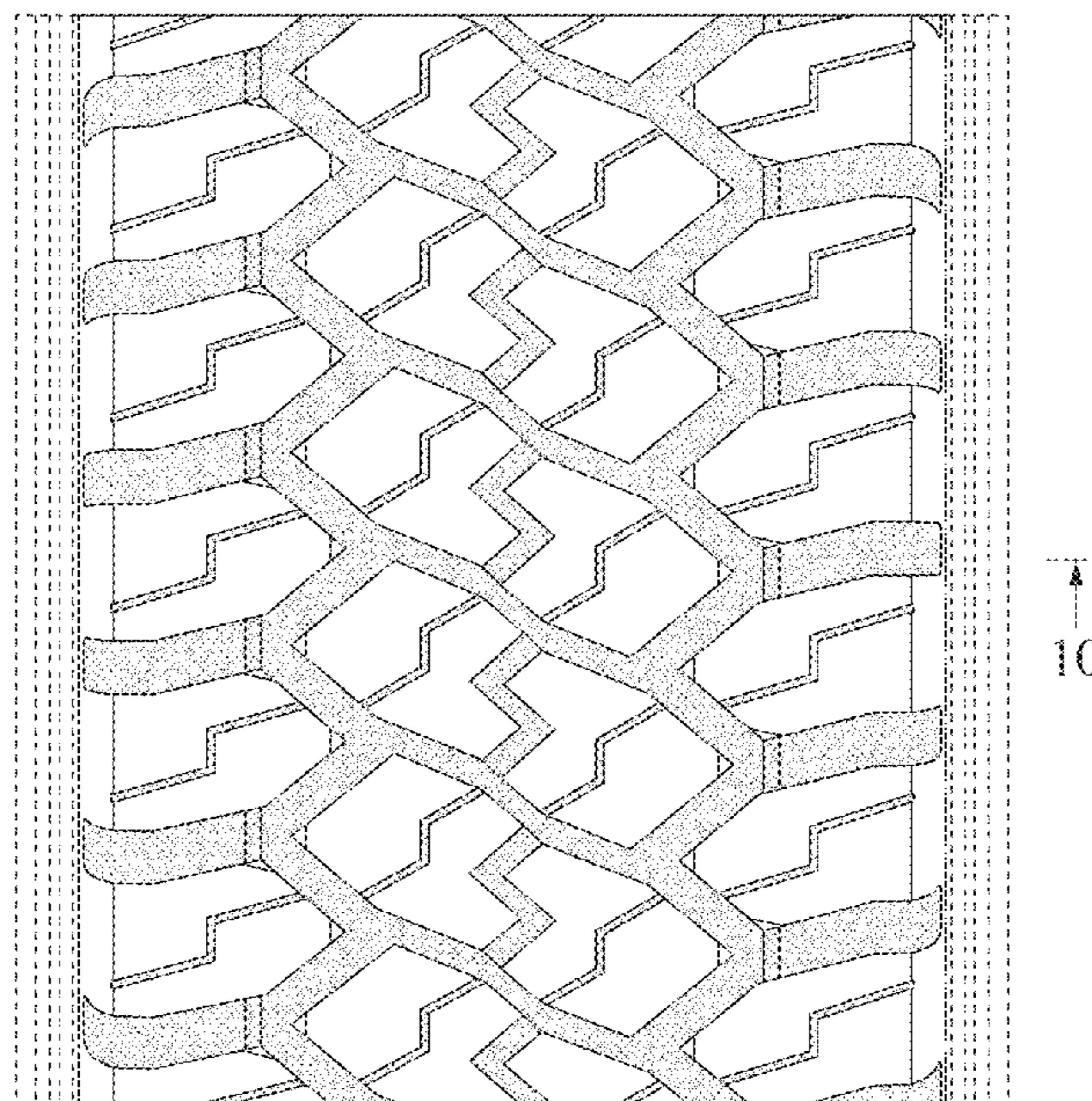
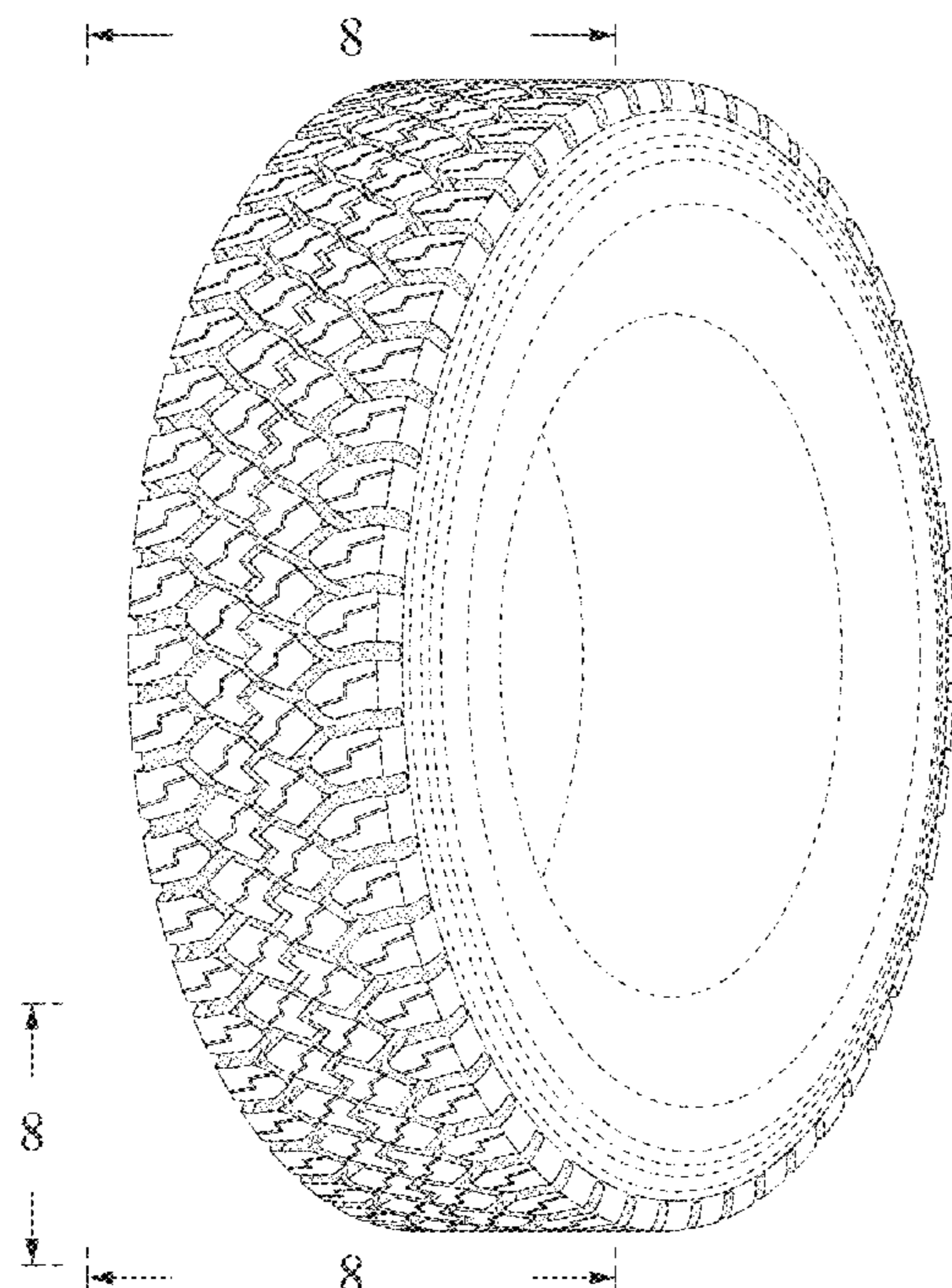


FIG. 1

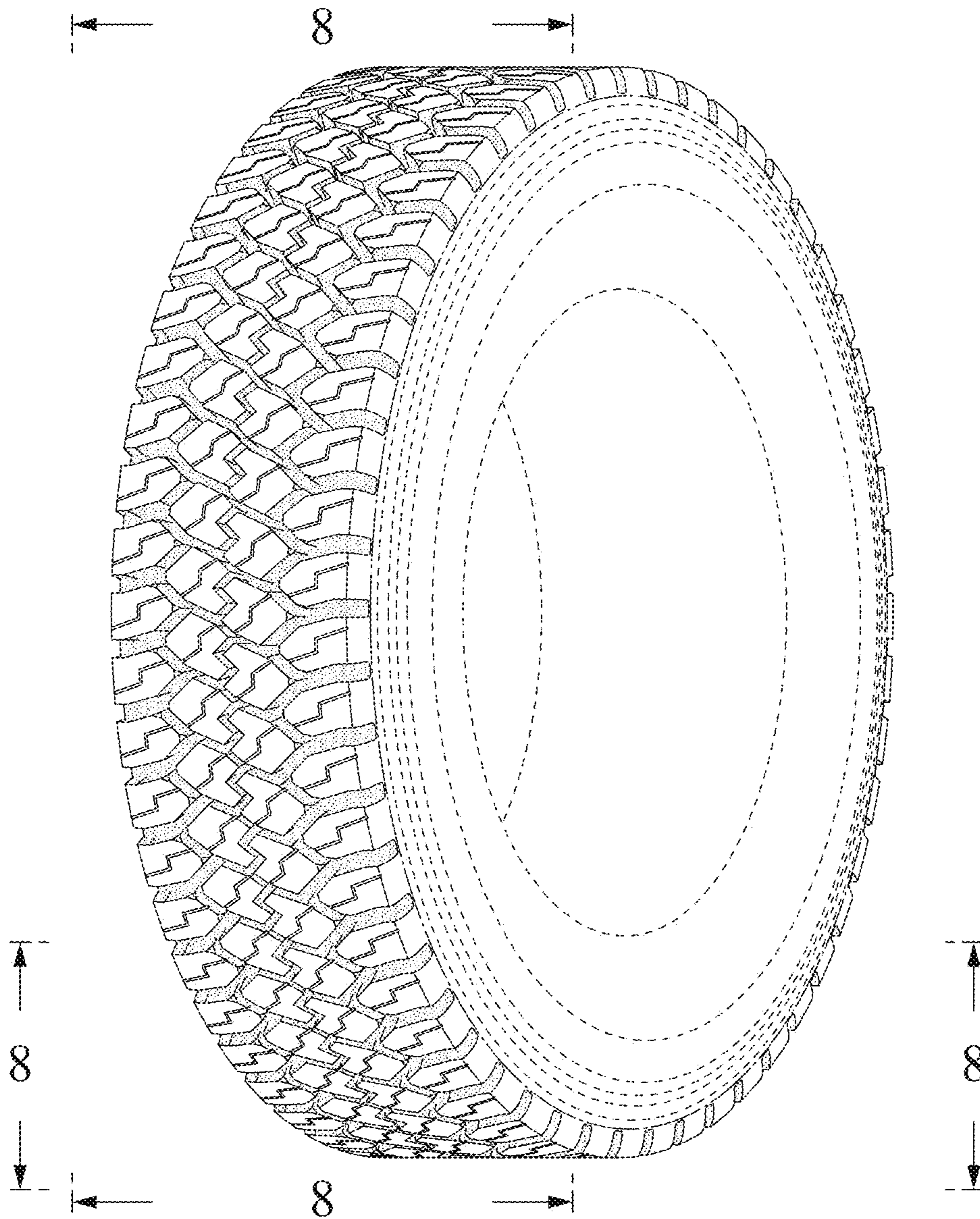


FIG. 2

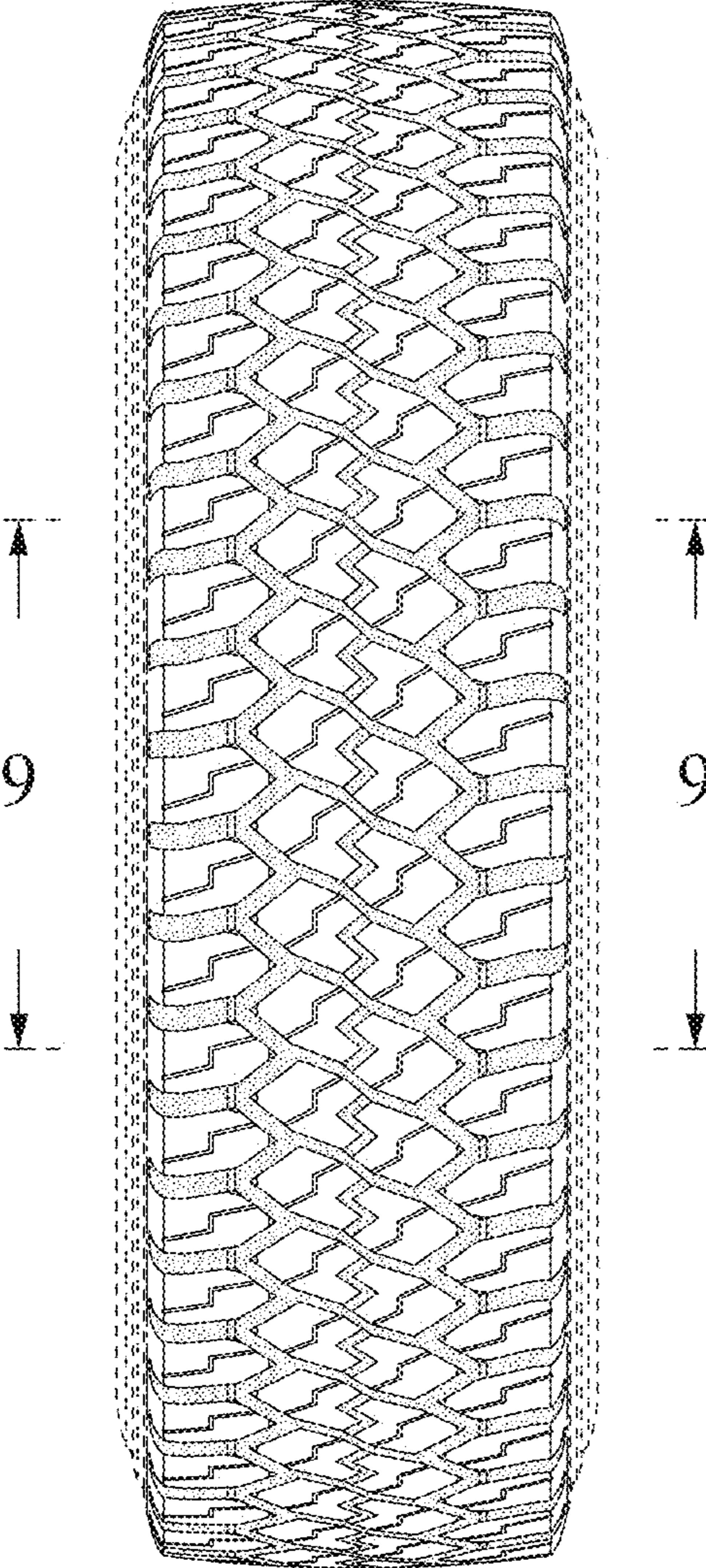


FIG. 3

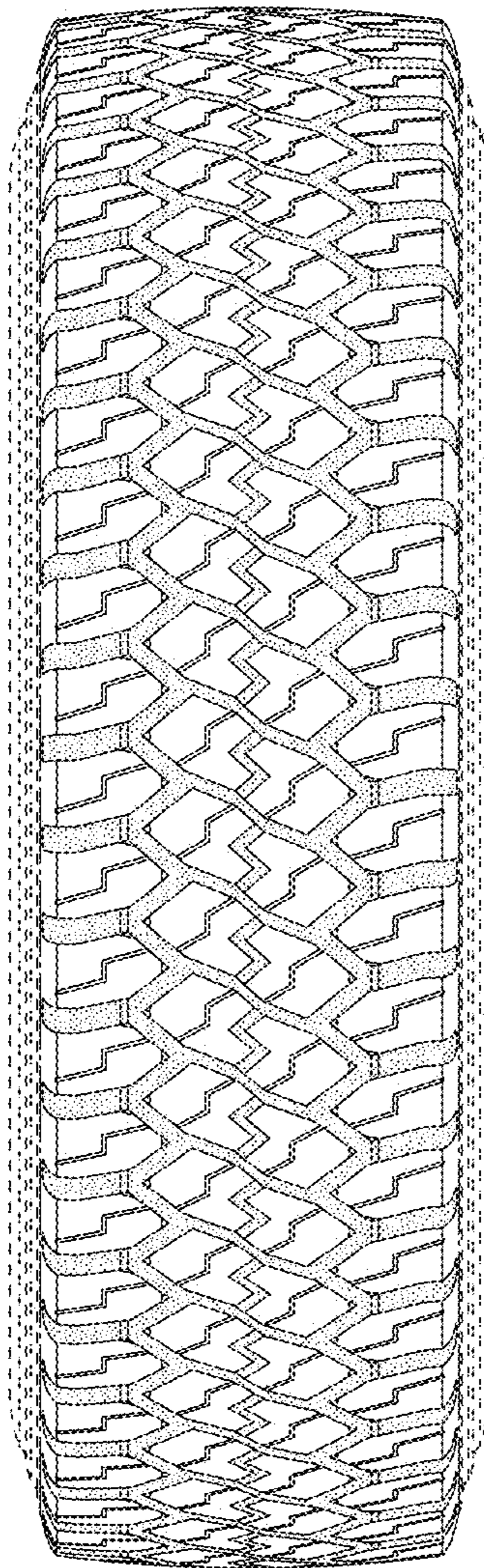


FIG. 4

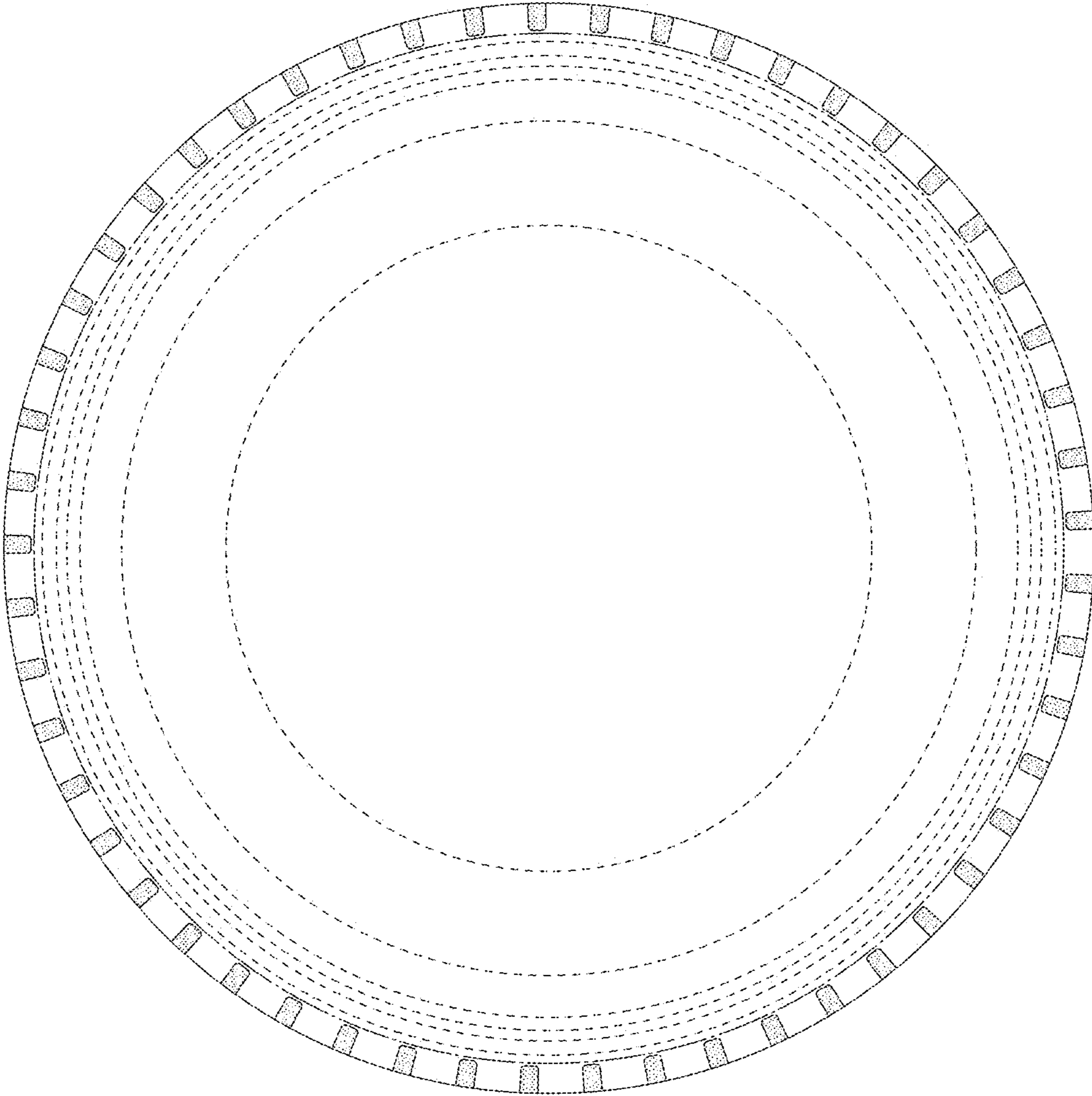


FIG. 5

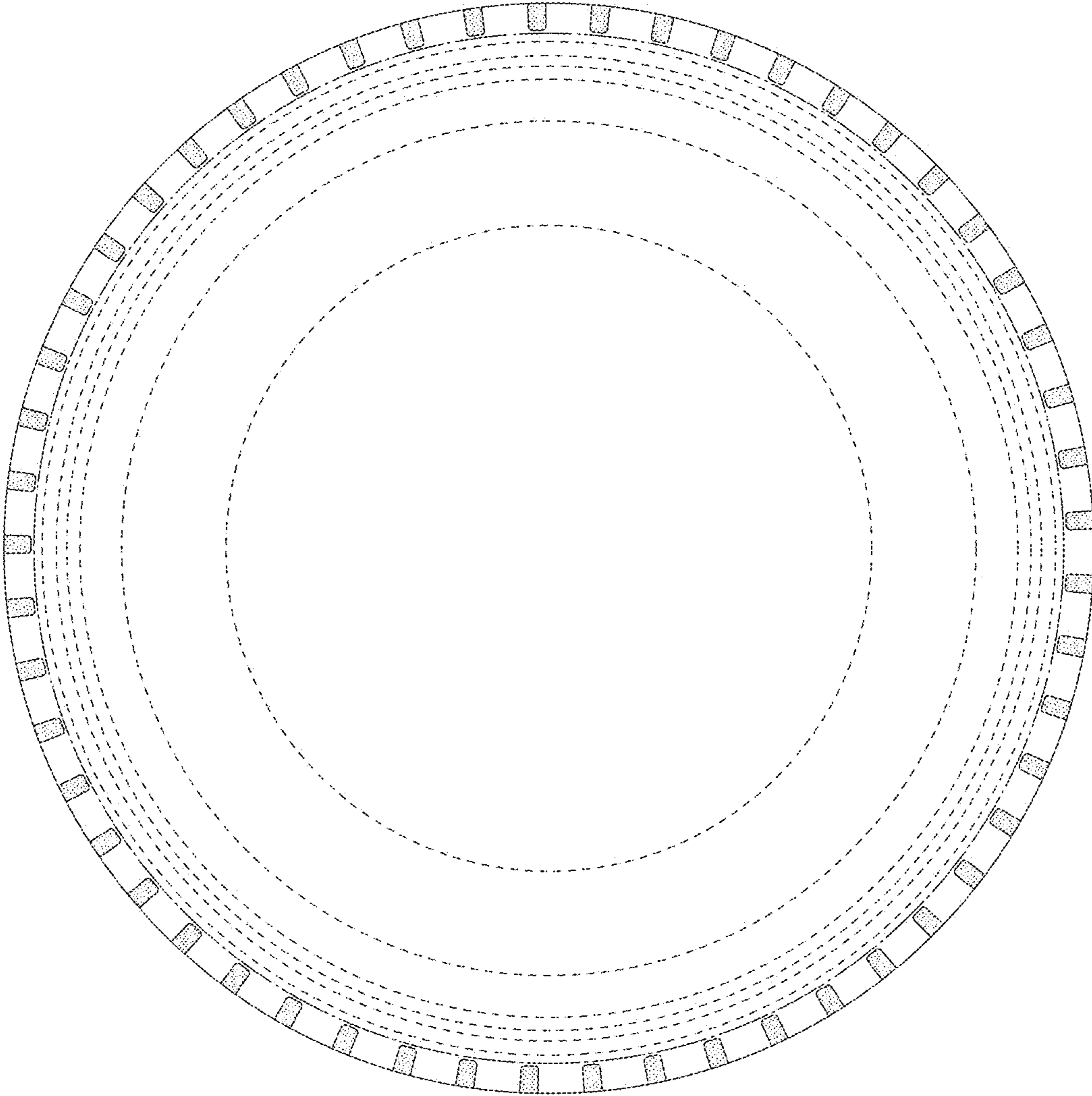


FIG. 6

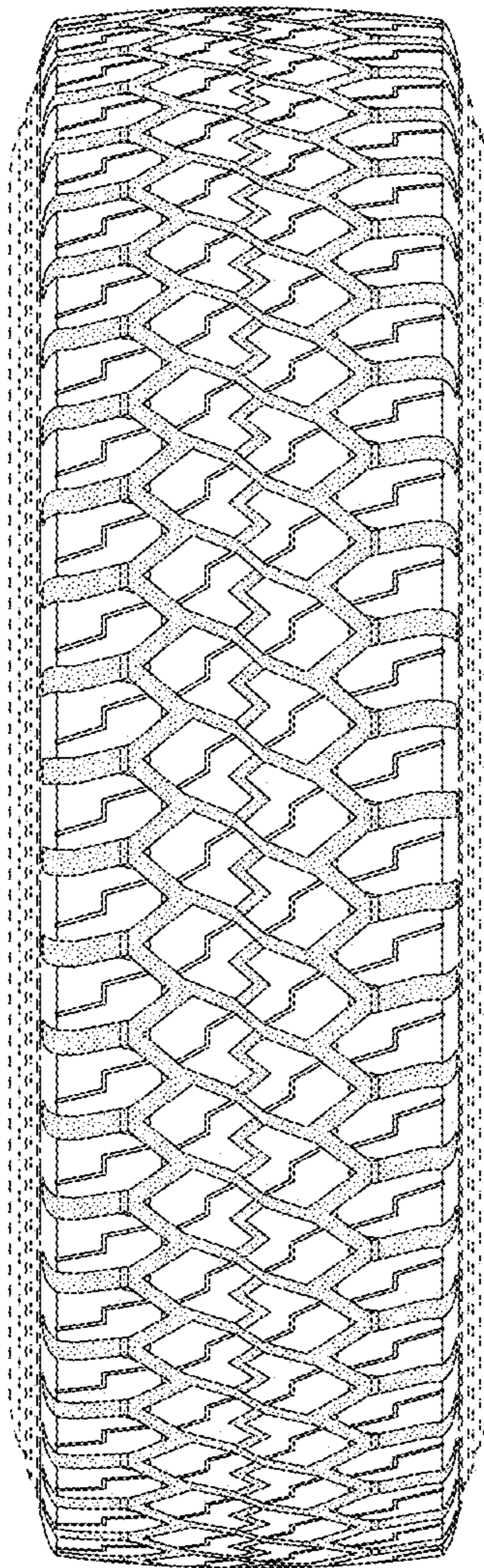


FIG. 7

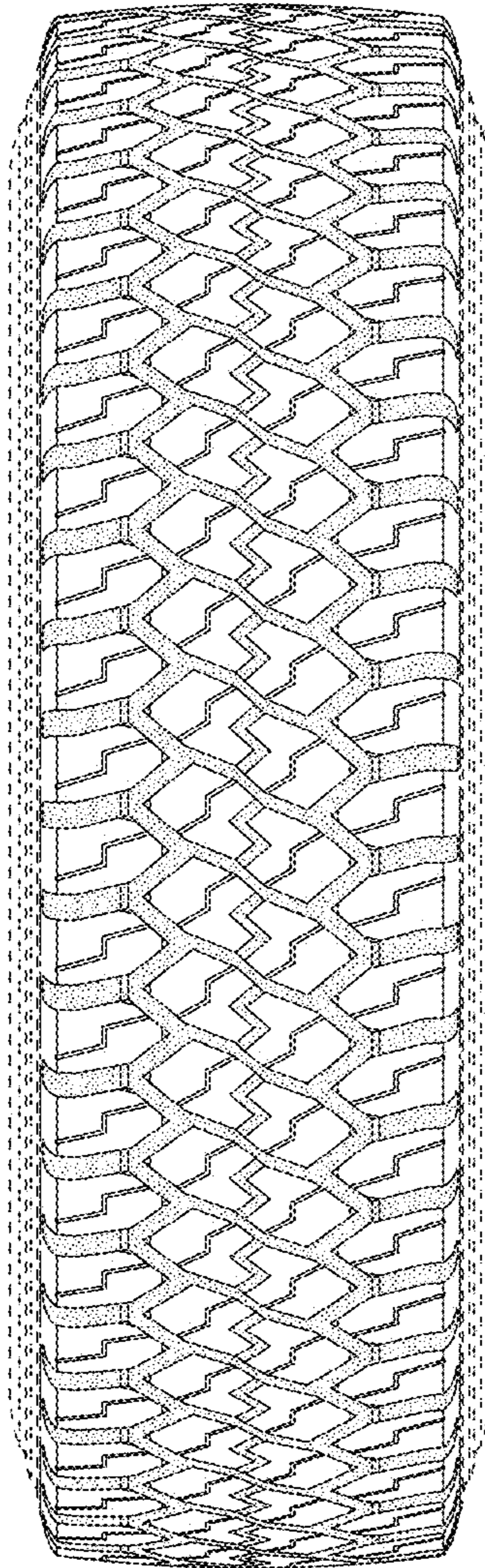


FIG. 8

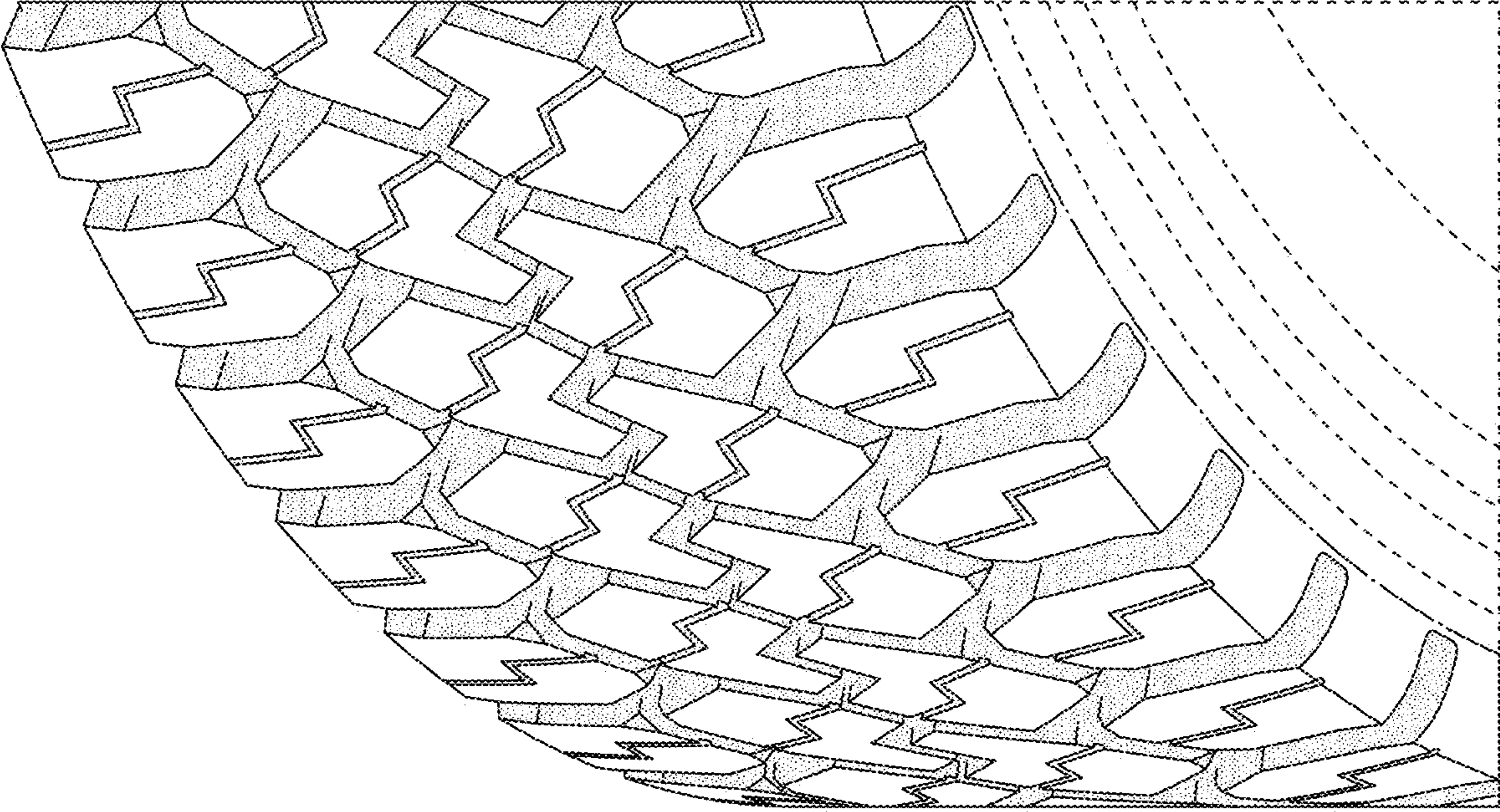


FIG. 9

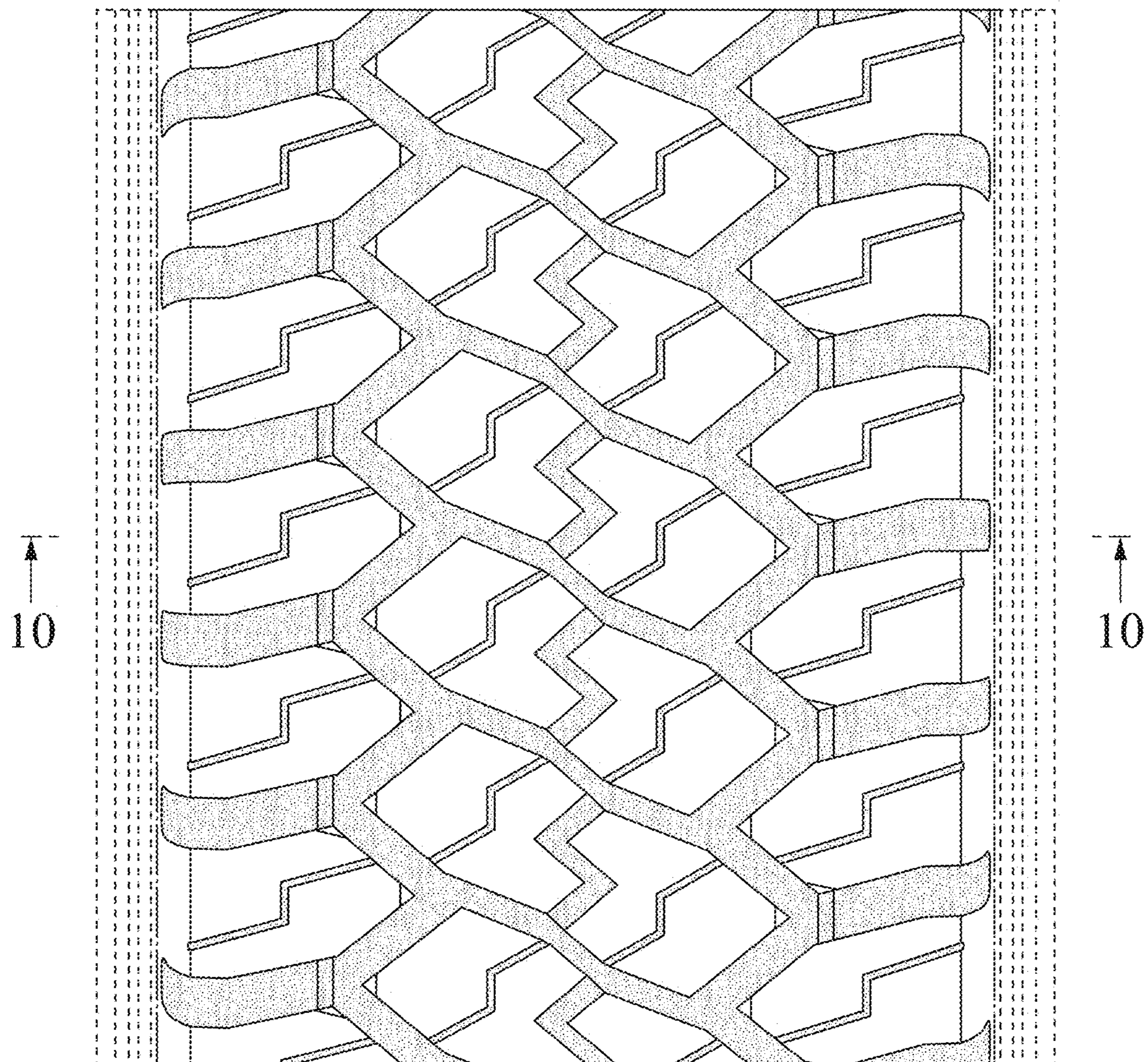


FIG. 10

