



US00D943496S

(12) **United States Design Patent** (10) **Patent No.:** **US D943,496 S**
Brumby (45) **Date of Patent:** **** Feb. 15, 2022**

- (54) **CAR SEAT TRAY**
- (71) Applicant: **Nancy O. Brumby**, Charleston, SC (US)
- (72) Inventor: **Nancy O. Brumby**, Charleston, SC (US)
- (**) Term: **15 Years**
- (21) Appl. No.: **29/749,012**
- (22) Filed: **Sep. 2, 2020**
- (51) **LOC (13) Cl.** **12-16**
- (52) **U.S. Cl.**
USPC **D12/425**
- (58) **Field of Classification Search**
USPC D12/425, 400, 406, 415-420, 424, 426
CPC B63B 25/00; B63B 7/085; B63B 35/00;
B63B 17/00; B60R 16/04
See application file for complete search history.

(56) **References Cited**

U.S. PATENT DOCUMENTS

D474,733 S *	5/2003	Webb	D12/419
D573,940 S *	7/2008	Heneghan	D12/425
D795,789 S *	8/2017	Ehtesham	D12/425
D867,971 S *	11/2019	Baker	D12/425
D916,647 S *	4/2021	Chen	D12/425
D932,420 S *	10/2021	Bruni	D12/425
2017/0143135 A1 *	5/2017	Christopherson	A47D 1/008
2017/0360231 A1 *	12/2017	Yu	B65D 5/4266

2019/0143853 A1 *	5/2019	Seeborun	B60N 2/2839 297/135
2019/0380401 A1 *	12/2019	Meckle	A47G 23/06
2020/0046115 A1 *	2/2020	Thorpe	A47B 23/06
2021/0206328 A1 *	7/2021	Grimbach	B60R 7/04
2021/0316866 A1 *	10/2021	Carloz	B64D 11/0638

* cited by examiner

Primary Examiner — Katrina A Betton

(74) *Attorney, Agent, or Firm* — The Rapacke Law Group P.A.

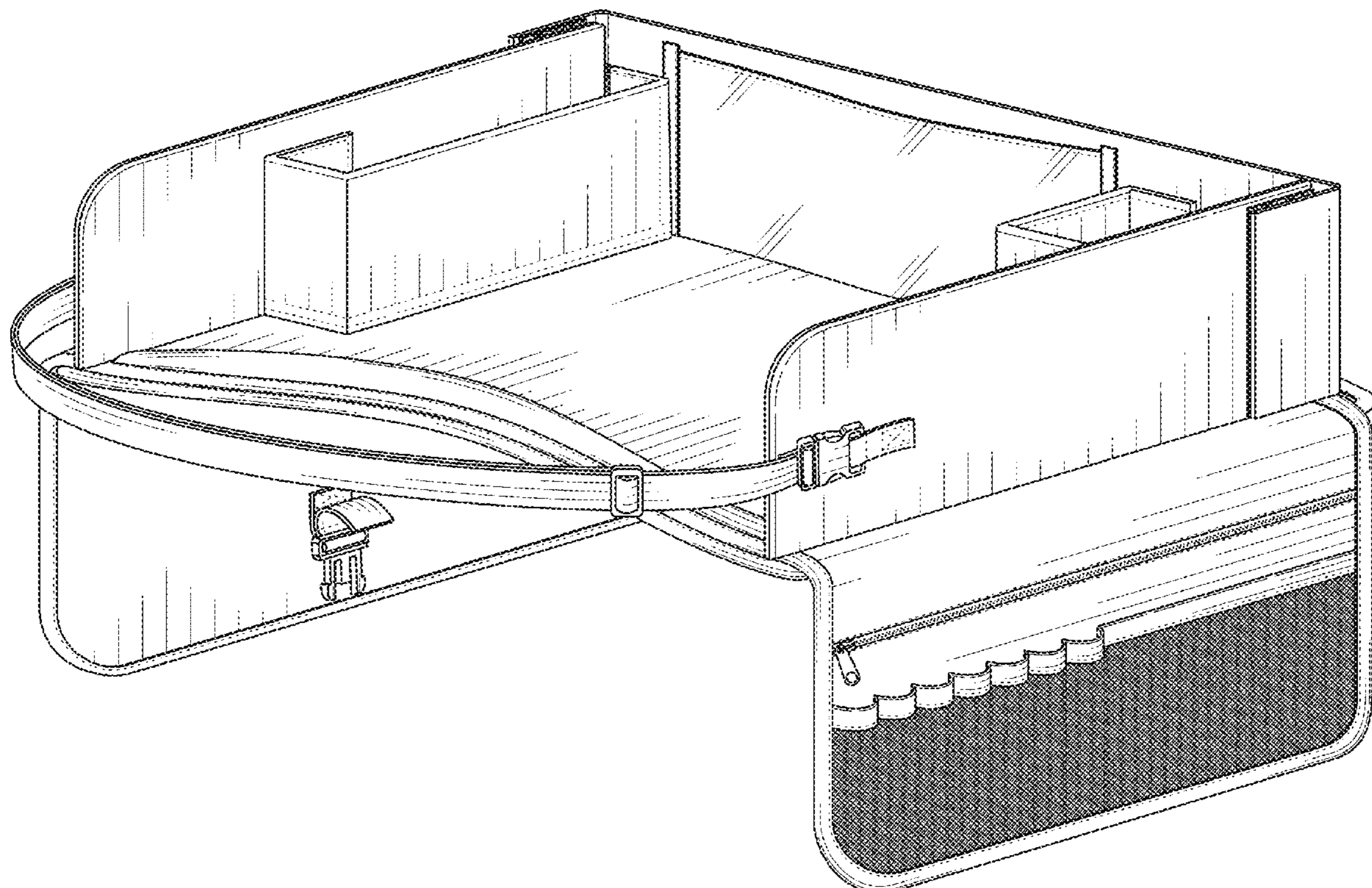
(57) **CLAIM**

The ornamental design for a car seat tray, as shown and described.

DESCRIPTION

FIG. 1 is a perspective view of the car seat tray, showing the new design;
 FIG. 2 is a front elevational view of the car seat tray thereof;
 FIG. 3 is a rear elevational view of the car seat tray thereof;
 FIG. 4 is a left side elevational view of the car seat tray thereof;
 FIG. 5 is a right side elevational view of the car seat tray thereof;
 FIG. 6 is a top plan view of the car seat tray thereof;
 FIG. 7 is a bottom plan view of the car seat tray thereof; and,
 FIG. 8 is an environmental perspective view of the car seat tray thereof.
 The broken lines in the drawings illustrate environmental subject matter and form no part of the claimed design.

1 Claim, 6 Drawing Sheets



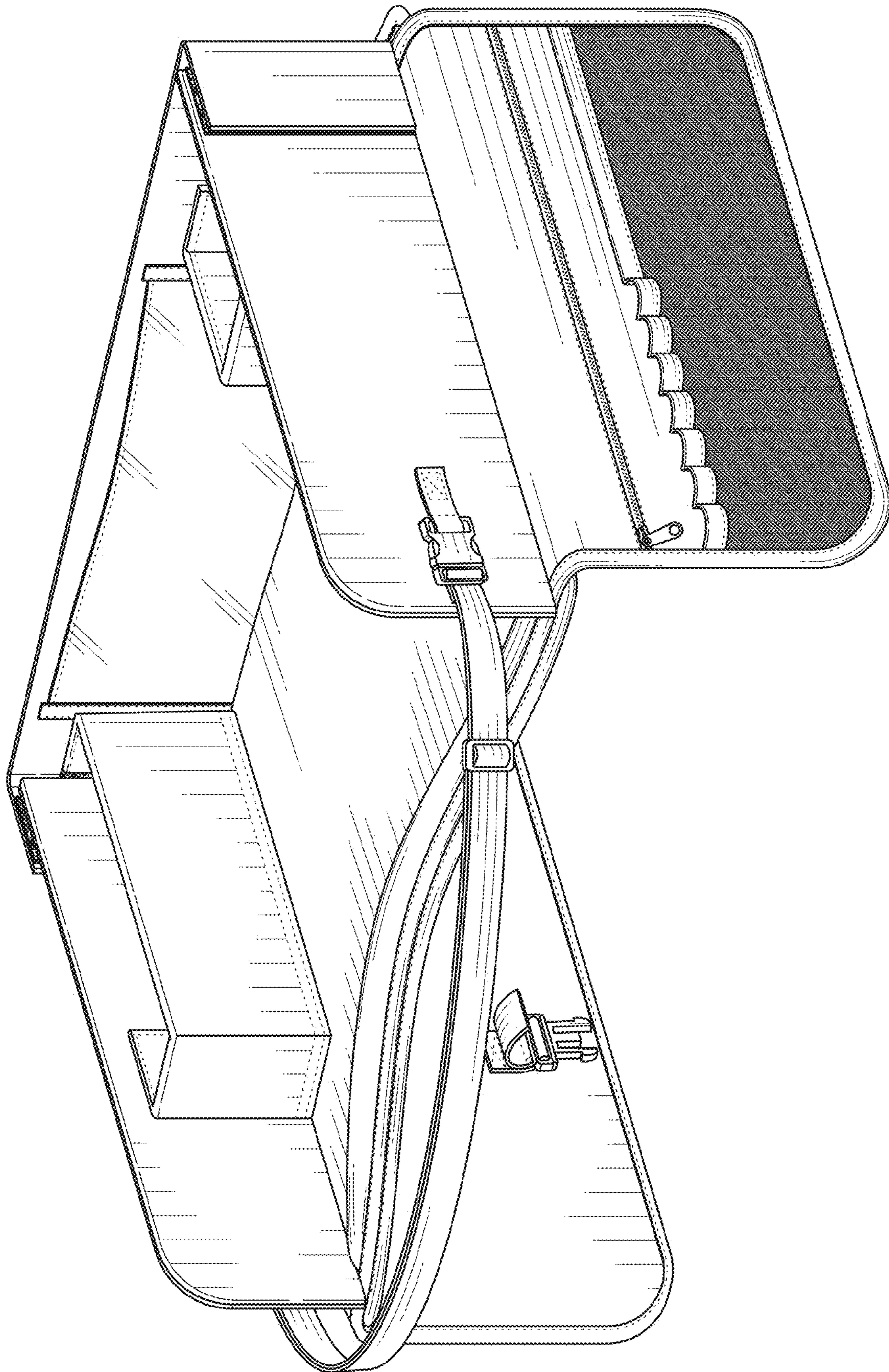


FIG. 1

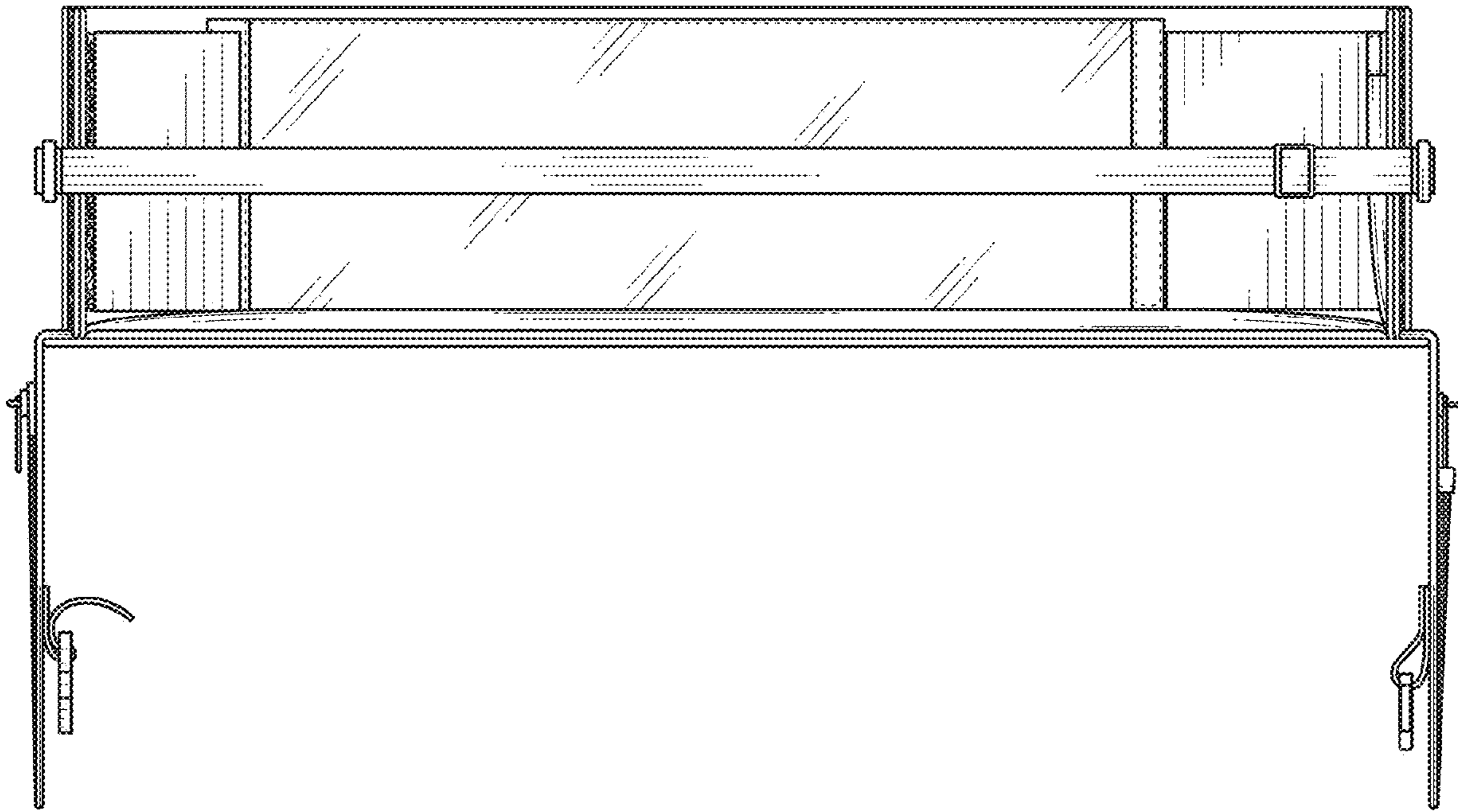


FIG. 2

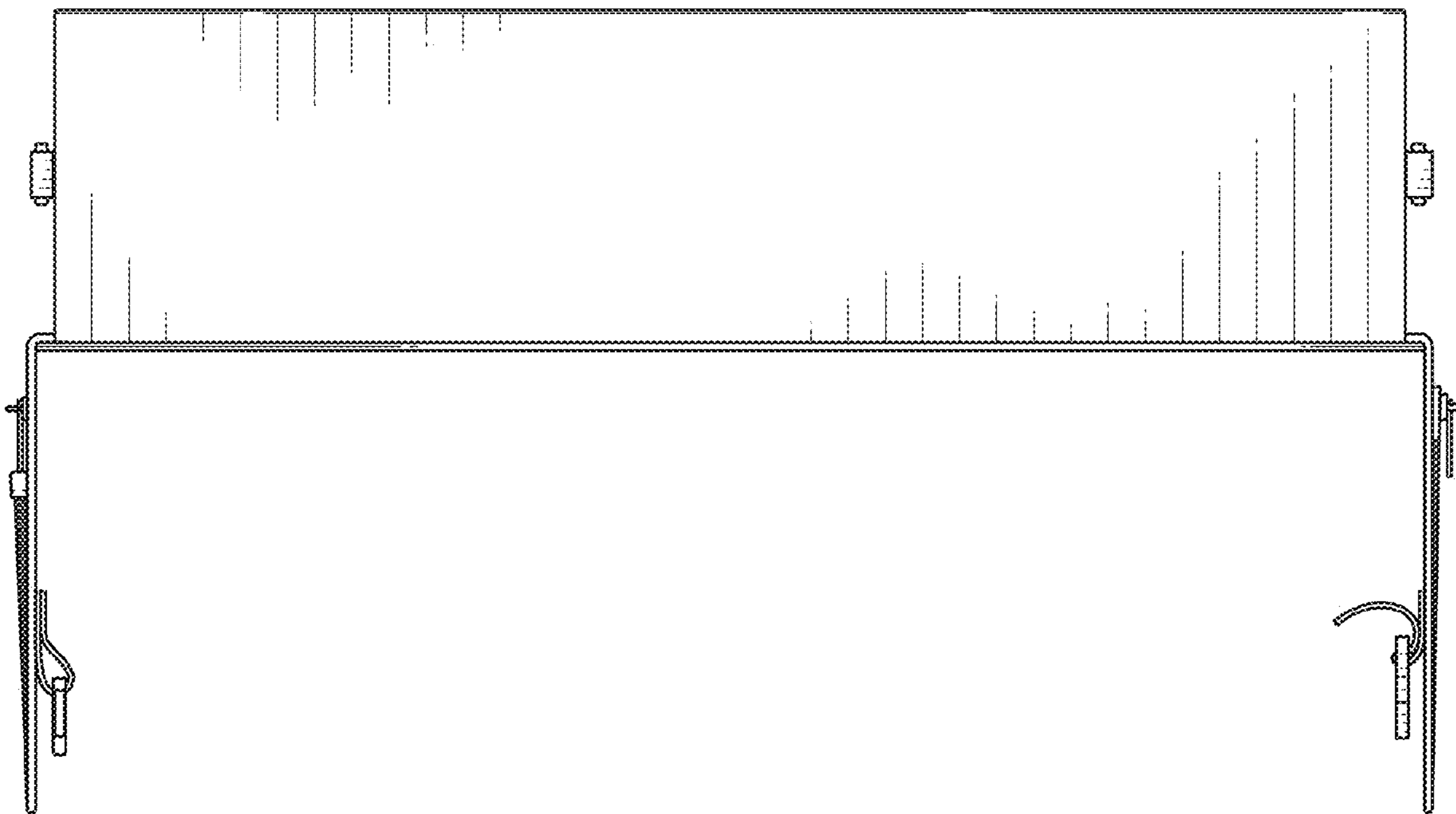


FIG. 3

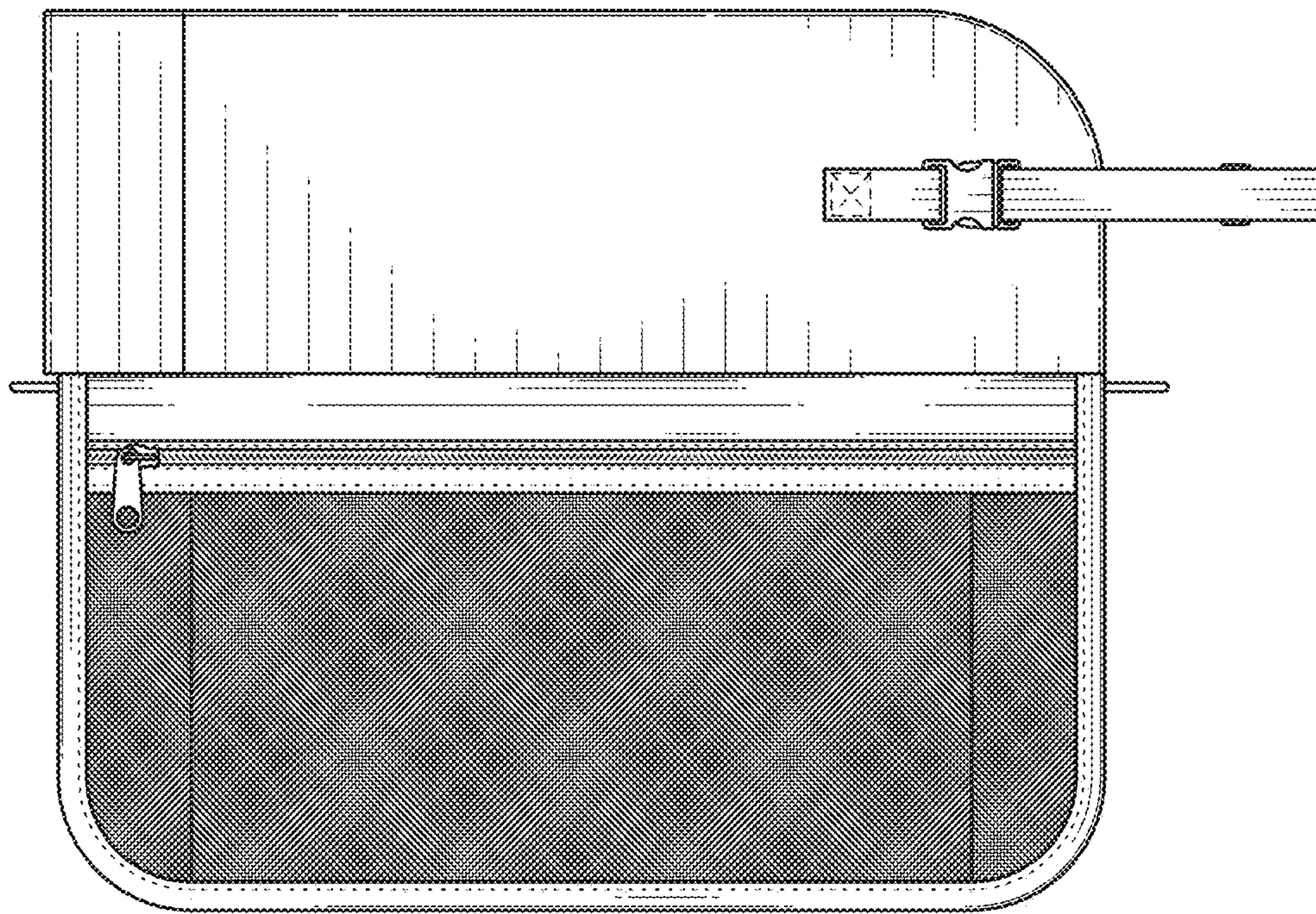


FIG. 4

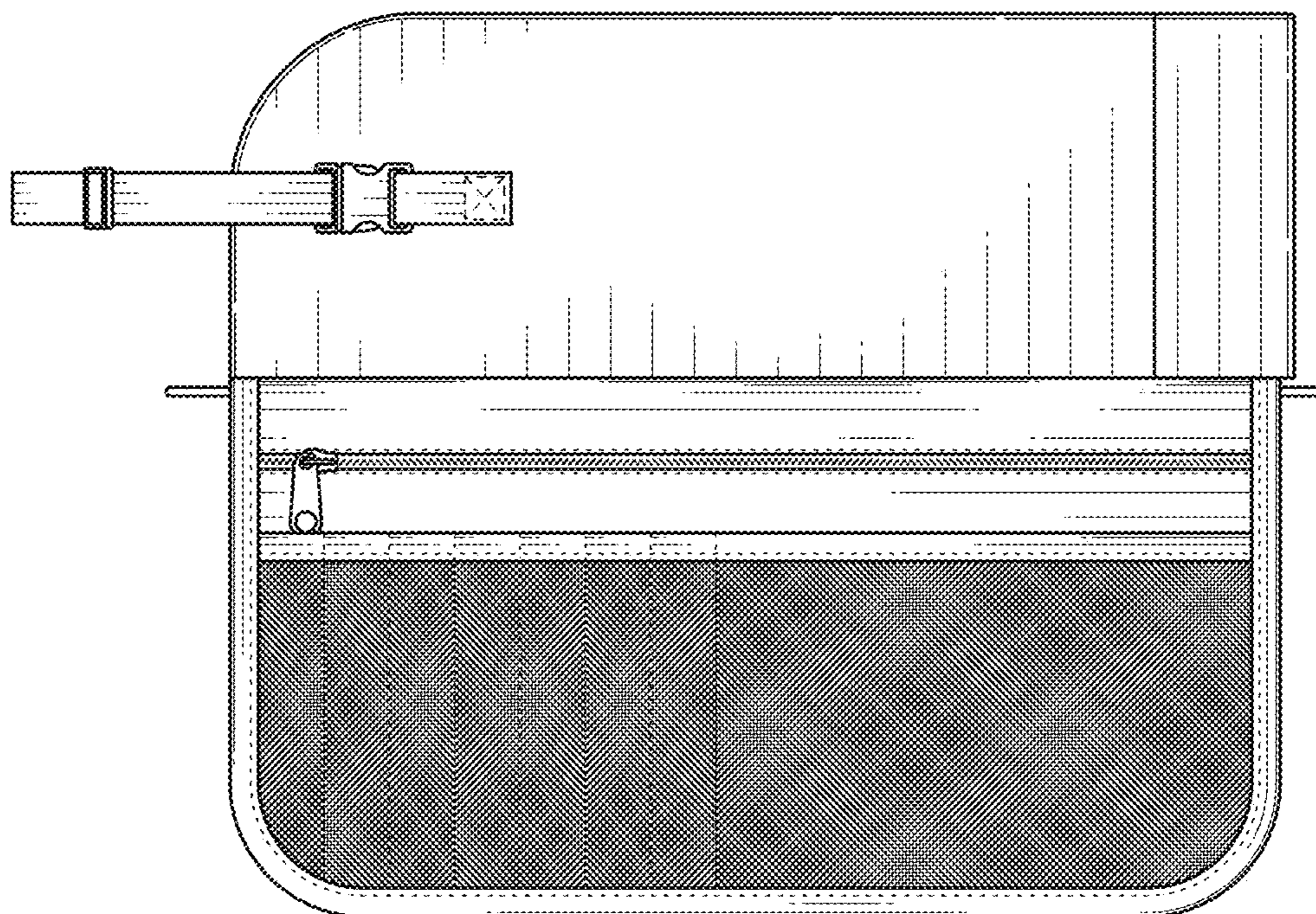


FIG. 5

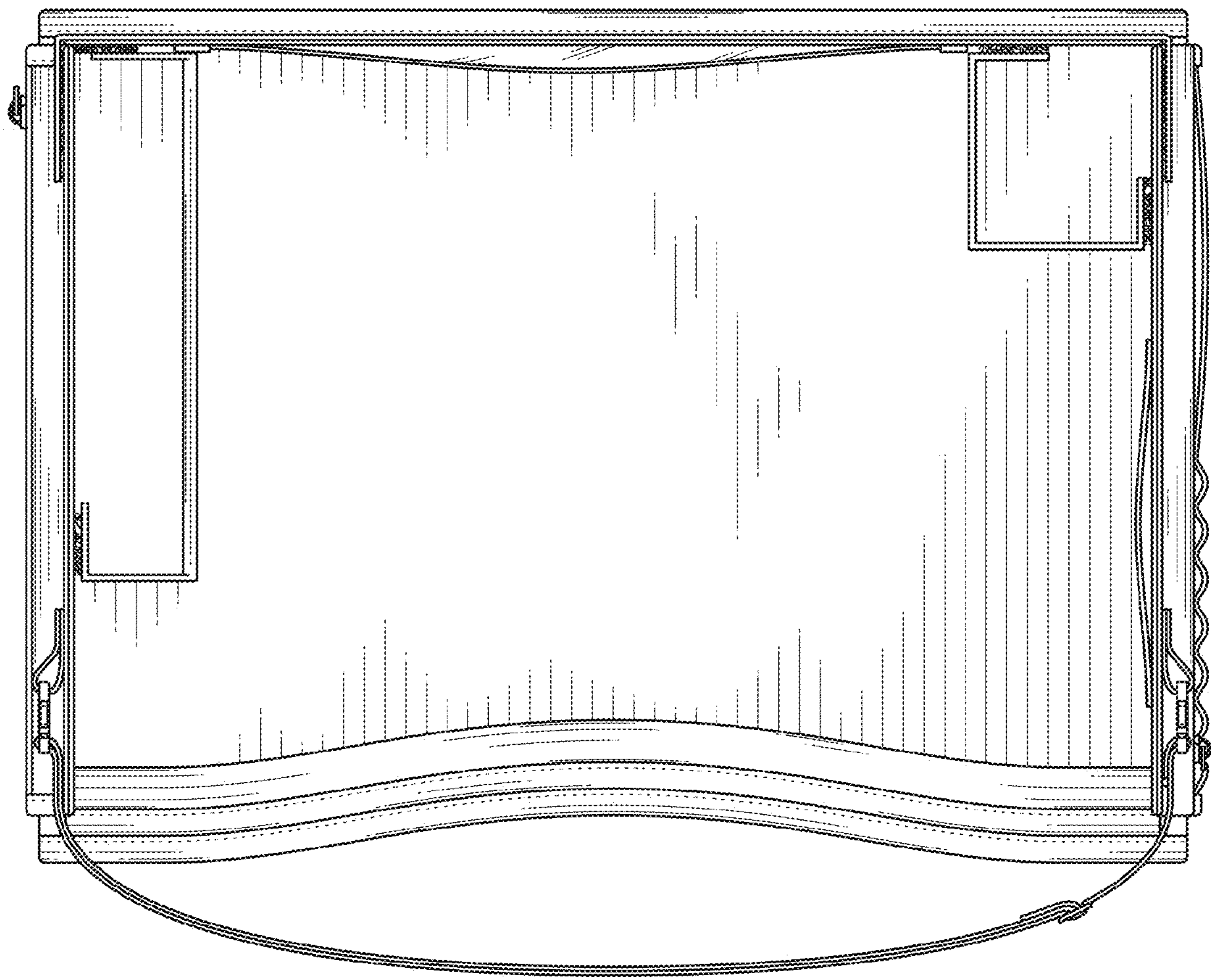


FIG. 6

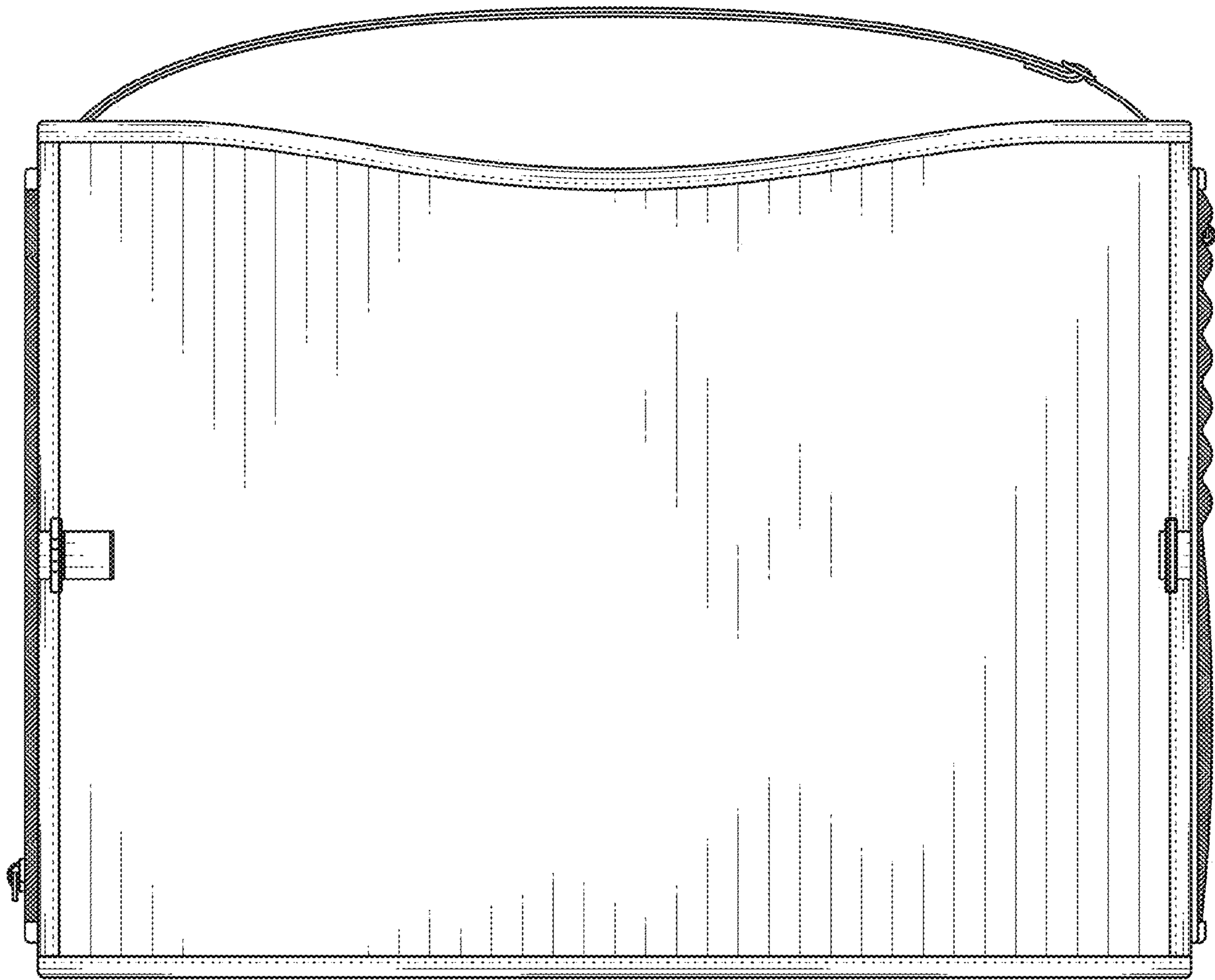


FIG. 7

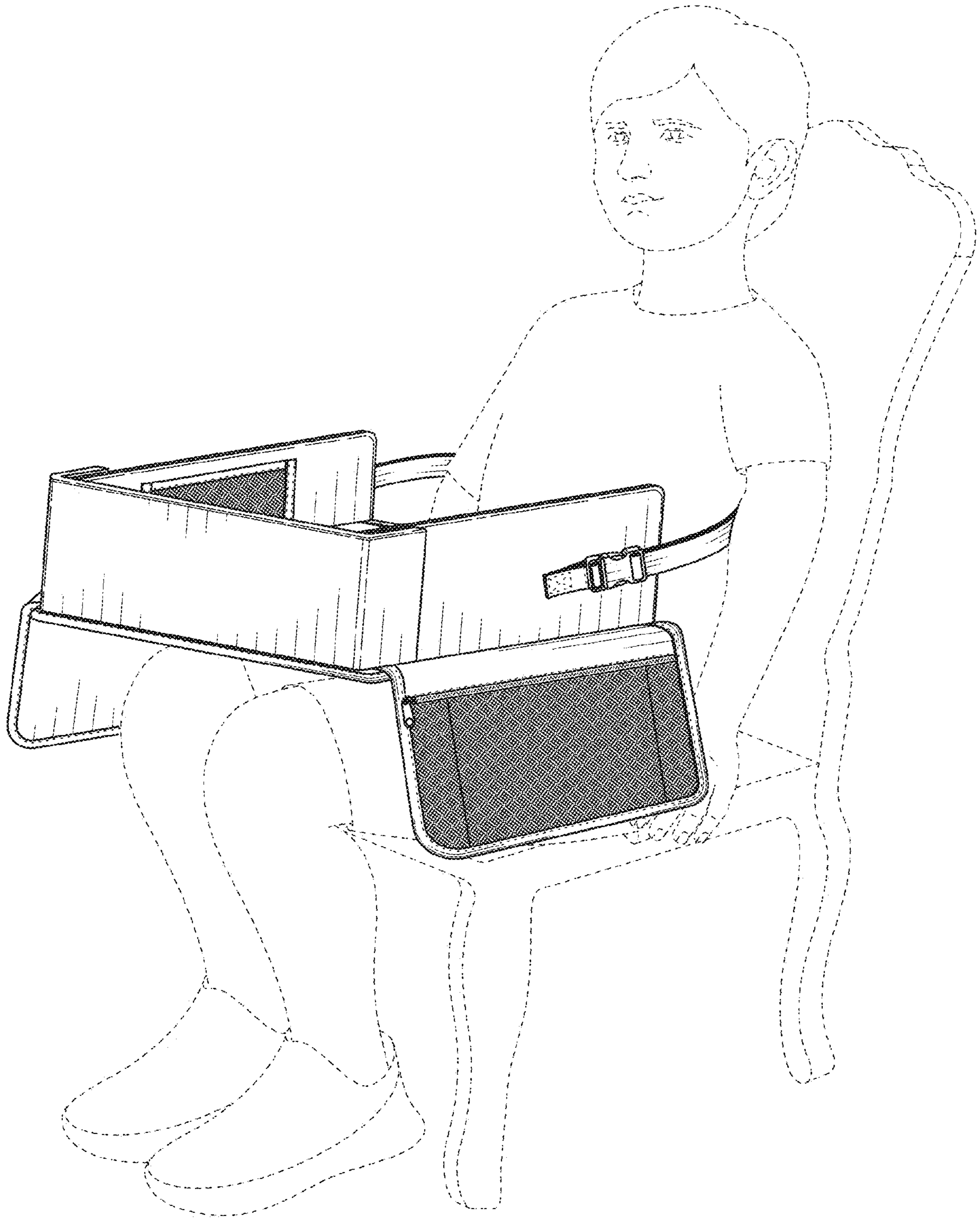


FIG. 8