



US00D943490S

(12) **United States Design Patent**
Chartier

(10) **Patent No.:** **US D943,490 S**

(45) **Date of Patent:** **** Feb. 15, 2022**

(54) **VEHICLE WHEEL**

(71) Applicant: **Arkon Wheels, LLC**, Batavia, IL (US)

(72) Inventor: **Jon L. Chartier**, Appleton, WI (US)

(73) Assignee: **Arkon Wheels, LLC**, Batavia, IL (US)

(**) Term: **15 Years**

(21) Appl. No.: **29/753,362**

(22) Filed: **Sep. 30, 2020**

(51) **LOC (13) Cl.** **12-16**

(52) **U.S. Cl.**
USPC **D12/209**

(58) **Field of Classification Search**
USPC D12/204-213; D21/563
CPC B60B 7/00; B60B 7/02; B60B 7/04; B60B
7/01; B60B 7/06; B60B 3/02; B60B 3/04;
B60B 3/06; B60B 3/10; B60B 1/00;
B60B 1/08; B60B 1/10; B60B 1/12
See application file for complete search history.

(56) **References Cited**

U.S. PATENT DOCUMENTS

| | | | | |
|--------------|---------|-----------|-------|---------|
| D758,275 S * | 6/2016 | Patel | | D12/209 |
| D762,545 S * | 8/2016 | Hodges | | D12/209 |
| D780,655 S * | 3/2017 | Trim | | D12/209 |
| D784,889 S * | 4/2017 | Peat | | D12/209 |
| D837,709 S * | 1/2019 | Chung | | D12/209 |
| D838,647 S * | 1/2019 | Han | | D12/209 |
| D840,900 S * | 2/2019 | Lickliter | | D12/211 |
| D845,857 S * | 4/2019 | Han | | D12/209 |
| D846,478 S * | 4/2019 | Kovacs | | D12/209 |
| D847,721 S * | 5/2019 | Chung | | D12/211 |
| D858,406 S * | 9/2019 | Johnson | | D12/209 |
| D870,631 S * | 12/2019 | Ash | | D12/209 |
| D874,375 S * | 2/2020 | Han | | D12/209 |
| D875,638 S * | 2/2020 | Johnson | | D12/209 |

| | | | | |
|--------------|--------|-----------|-------|---------|
| D877,676 S * | 3/2020 | Lee | | D12/209 |
| D908,067 S * | 1/2021 | O'Neill | | D12/209 |
| D911,910 S * | 3/2021 | Hale, Jr. | | D12/209 |
| D912,589 S * | 3/2021 | Hale, Jr. | | D12/209 |

(Continued)

OTHER PUBLICATIONS

American Force Wheels "Origin SS G59 22x12 -40" retrieved from the Internet on or before Sep. 29, 2020, 1 page filed herewith.

(Continued)

Primary Examiner — Stacia A Cadmus

(74) *Attorney, Agent, or Firm* — Epiphany Law, LLC

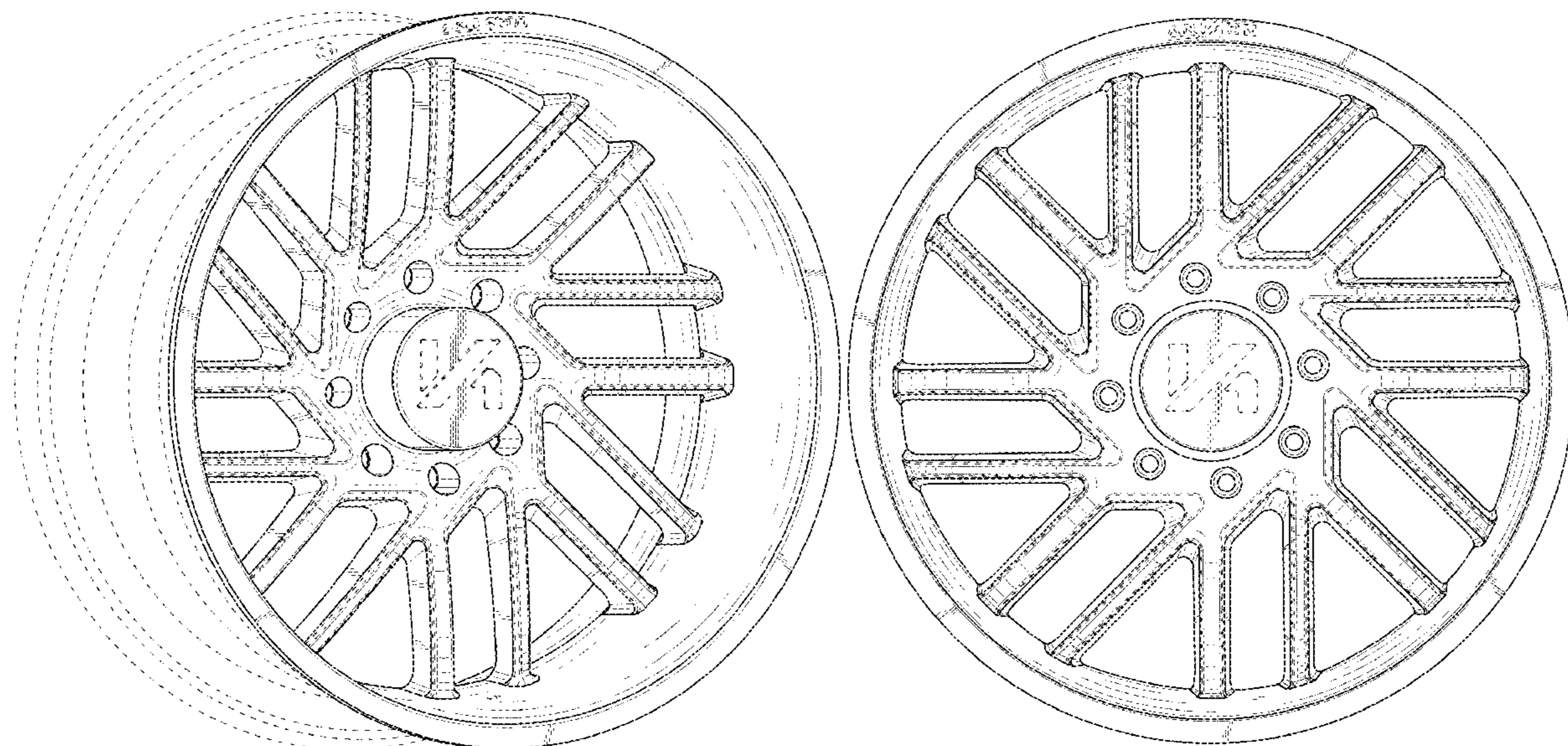
(57) **CLAIM**

The ornamental design for a vehicle wheel, as shown and described.

DESCRIPTION

FIG. 1 is a perspective view of a vehicle wheel showing the claimed design;
FIG. 2 is a front view of that seen in FIG. 1;
FIG. 3 is a further perspective view of that seen in FIG. 1;
FIG. 4 is a perspective view of a second embodiment of a vehicle wheel showing the claimed design;
FIG. 5 is a front view of that seen in FIG. 4;
FIG. 6 is a further perspective view of that seen in FIG. 4;
FIG. 7 is a perspective view of a third embodiment of a vehicle wheel showing the claimed design;
FIG. 8 is a front view of that seen in FIG. 7;
FIG. 9 is a further perspective view of that seen in FIG. 7;
FIG. 10 is a perspective view of a fourth embodiment of a vehicle wheel showing the claimed design;
FIG. 11 is a front view of that seen in FIG. 10; and,
FIG. 12 is a further perspective view of that seen in FIG. 10.
In the drawings the broken lines depict portions of the wheel that form no part of the claimed design.

1 Claim, 12 Drawing Sheets



(56)

References Cited

U.S. PATENT DOCUMENTS

| | | | | | |
|----------|---|---|--------|---------------|---------|
| D913,183 | S | * | 3/2021 | Aslam | D12/211 |
| D914,573 | S | * | 3/2021 | Kirst | D12/209 |
| D920,205 | S | * | 5/2021 | Johnson | D12/209 |
| D920,206 | S | * | 5/2021 | Johnson | D12/209 |
| D924,770 | S | * | 7/2021 | Aslam | D12/209 |

OTHER PUBLICATIONS

Axe Off-Road "AX2.4 22x10 -19", retrieved from the Internet on or before Sep. 29, 2020, 1 page filed herewith.

* cited by examiner

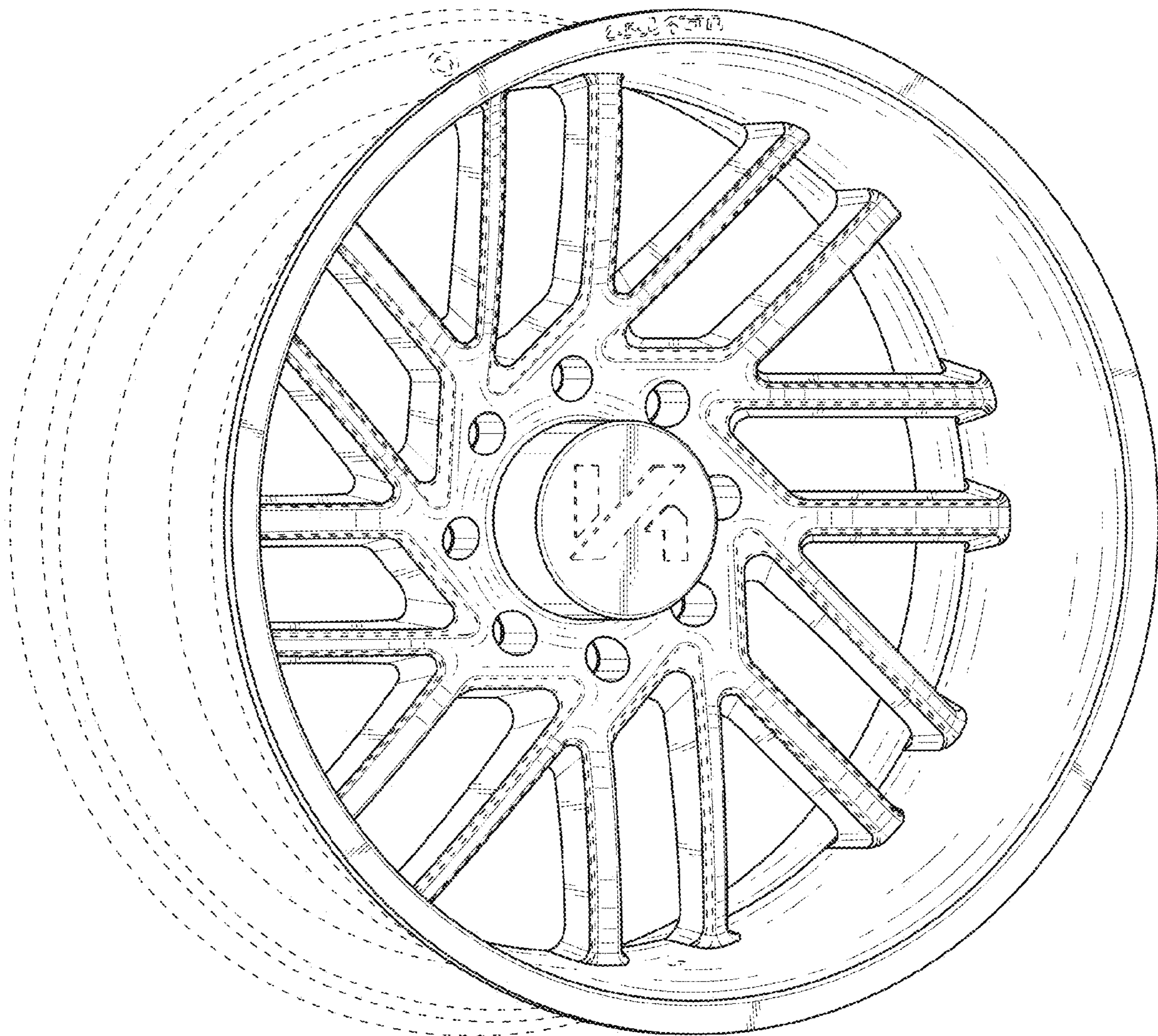


FIG. 1

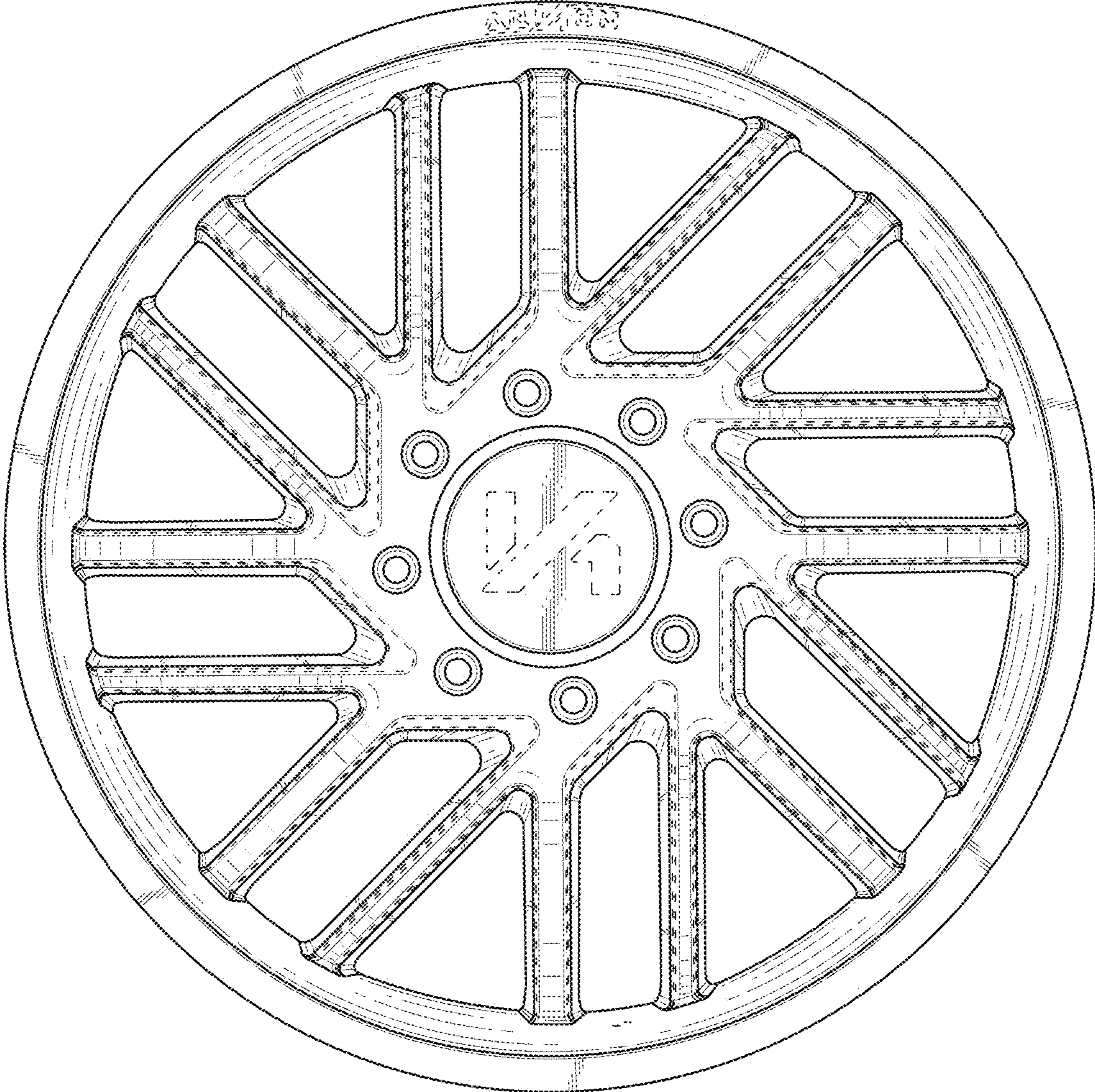


FIG. 2

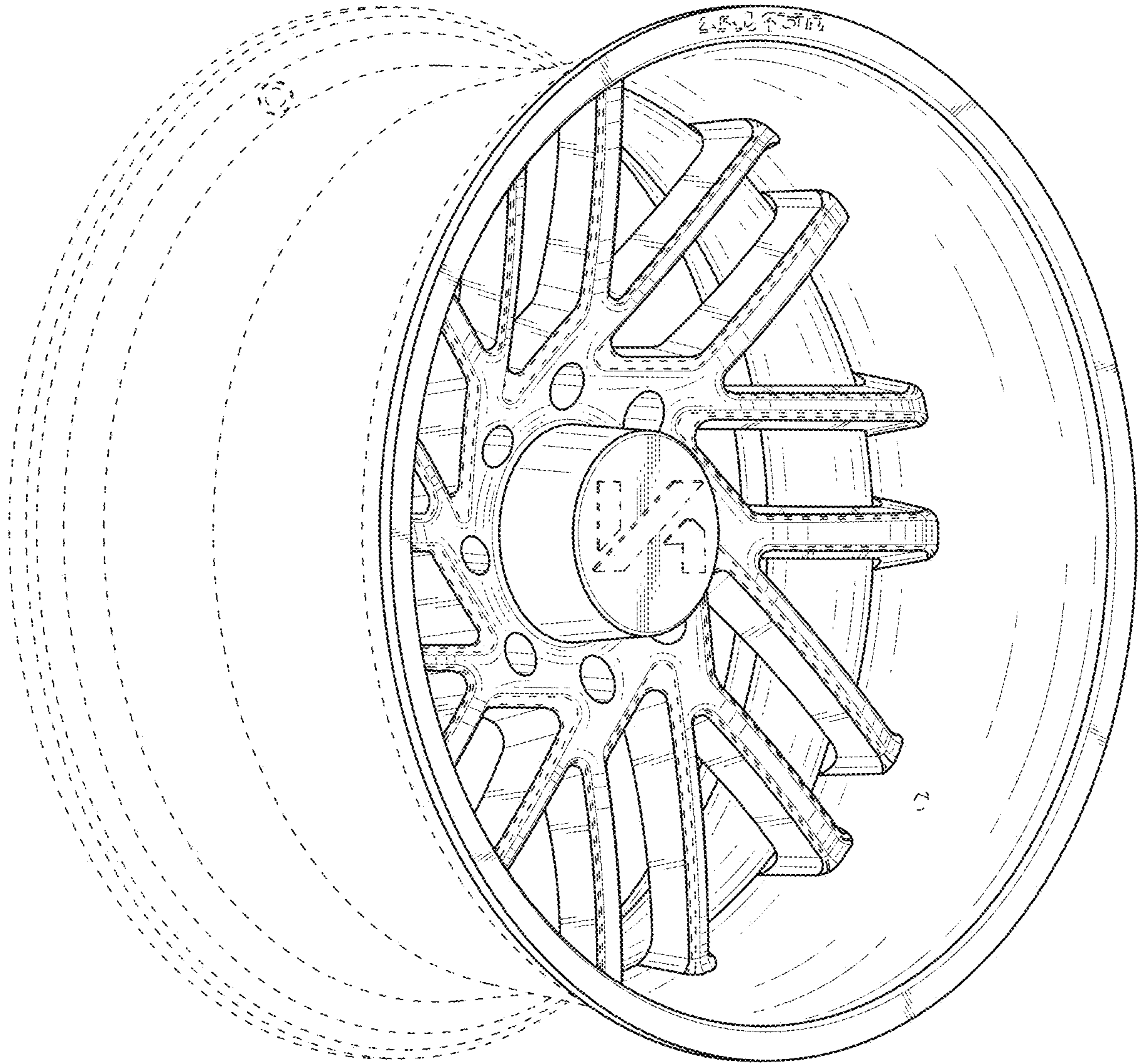


FIG. 3

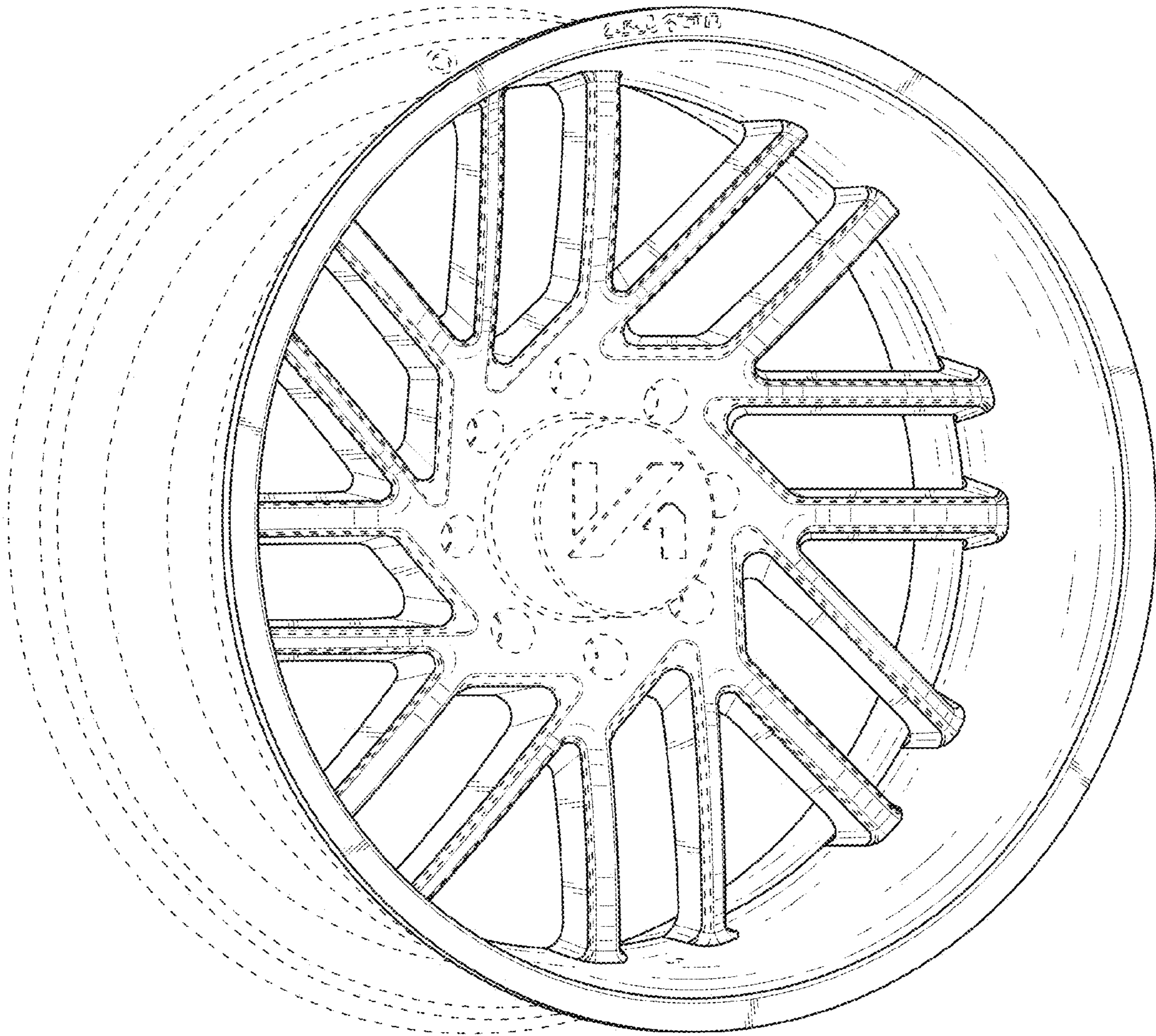


FIG. 4

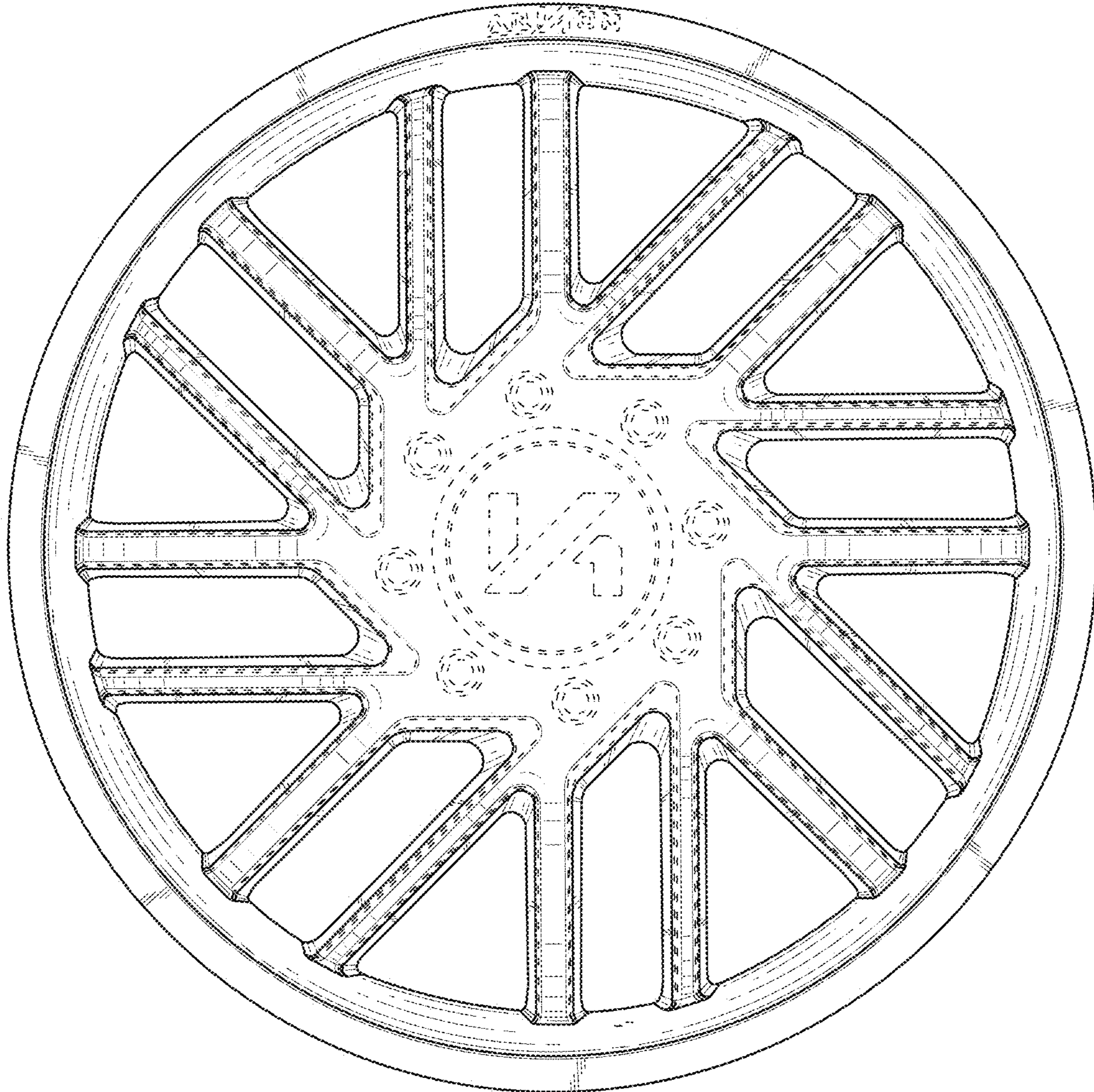


FIG. 5

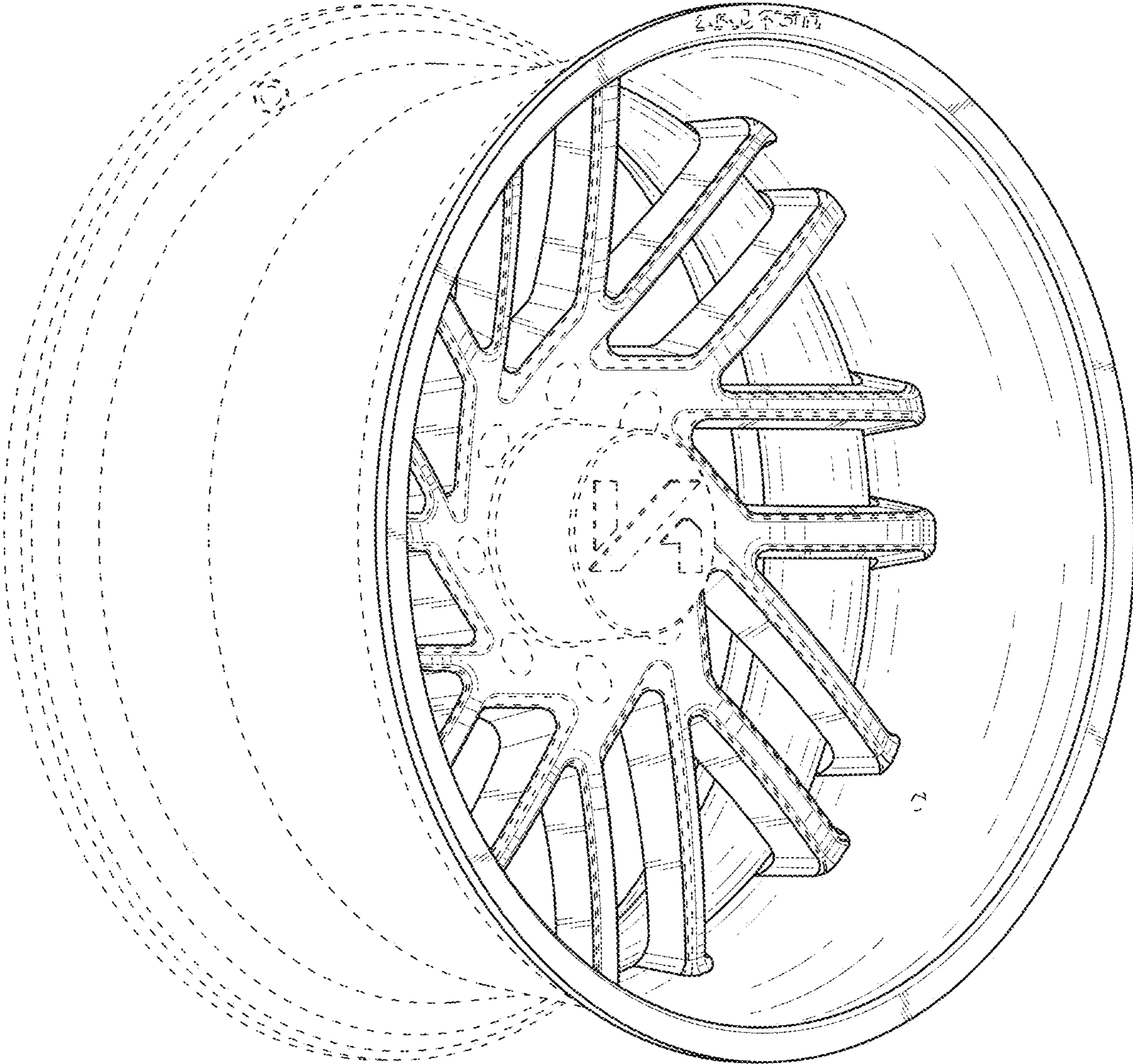


FIG. 6

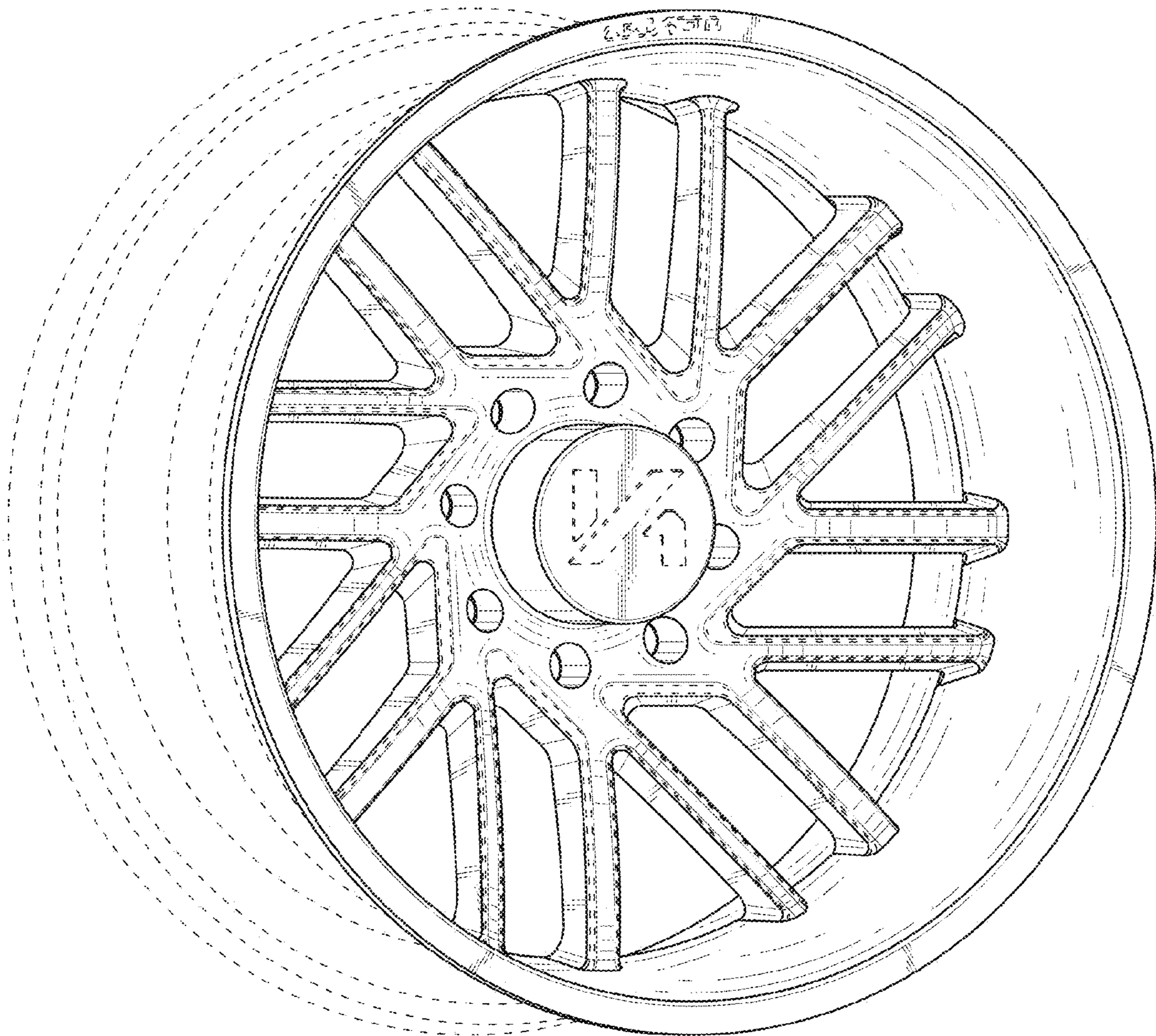


FIG. 7

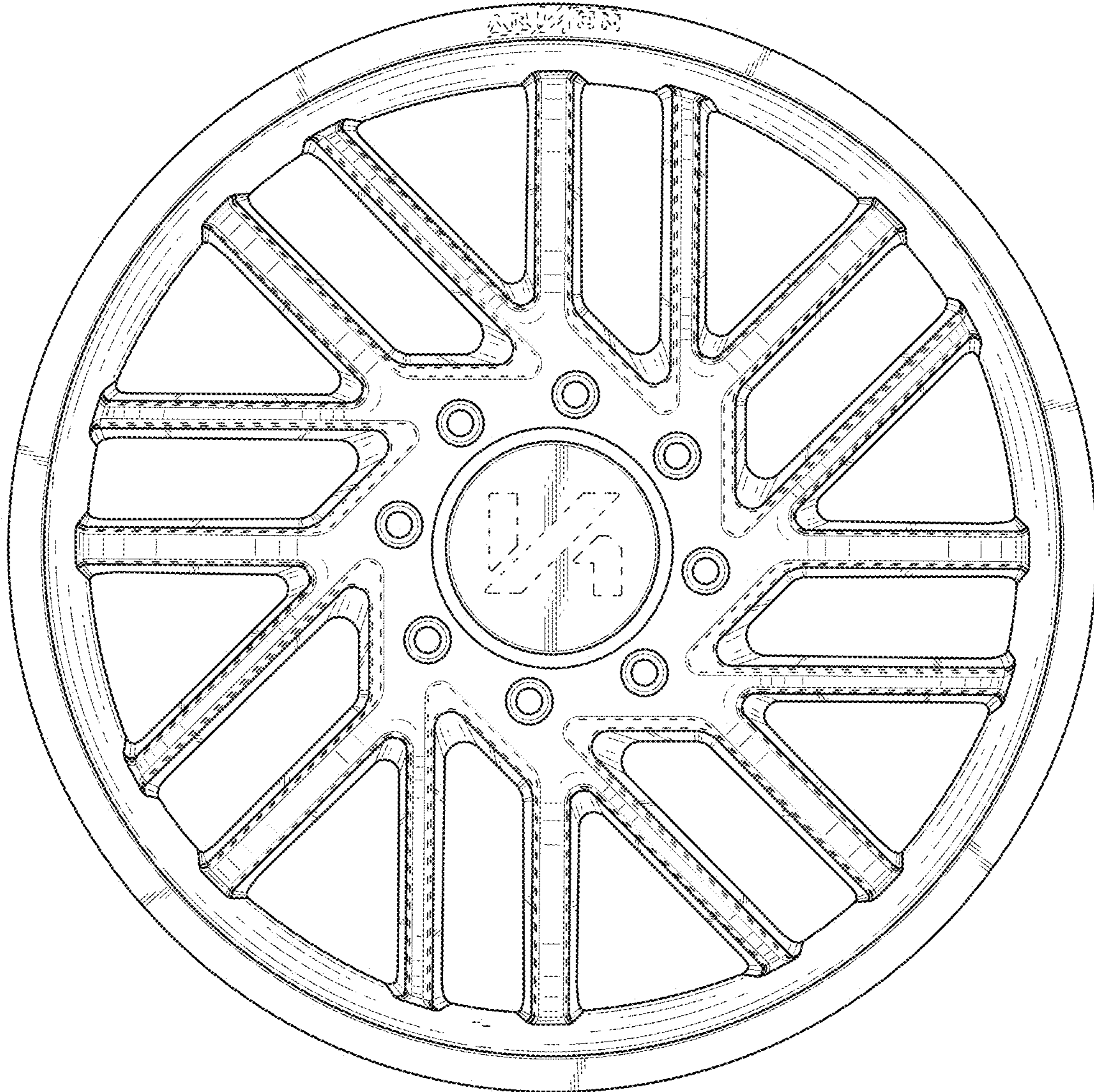


FIG. 8

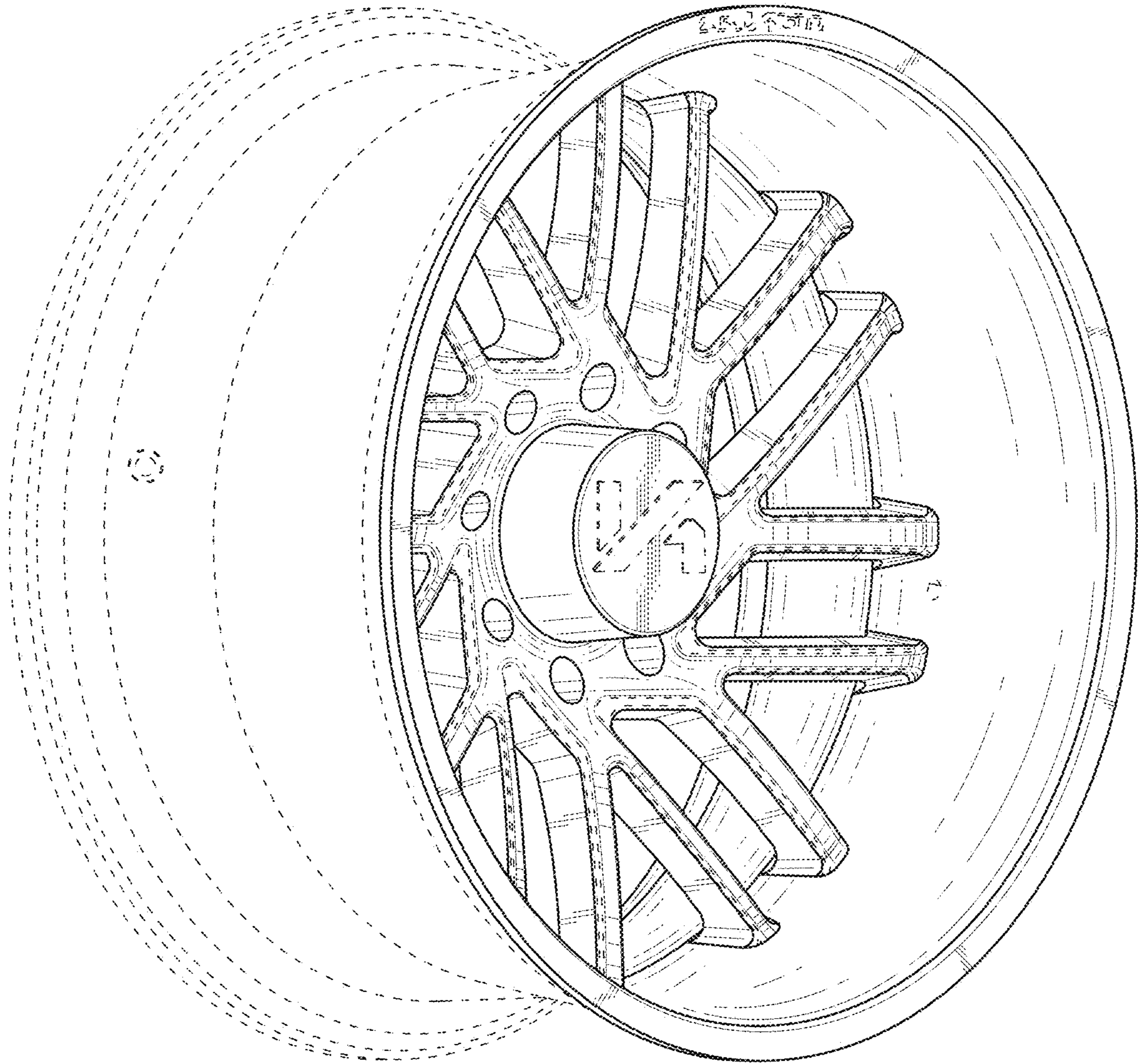


FIG. 9

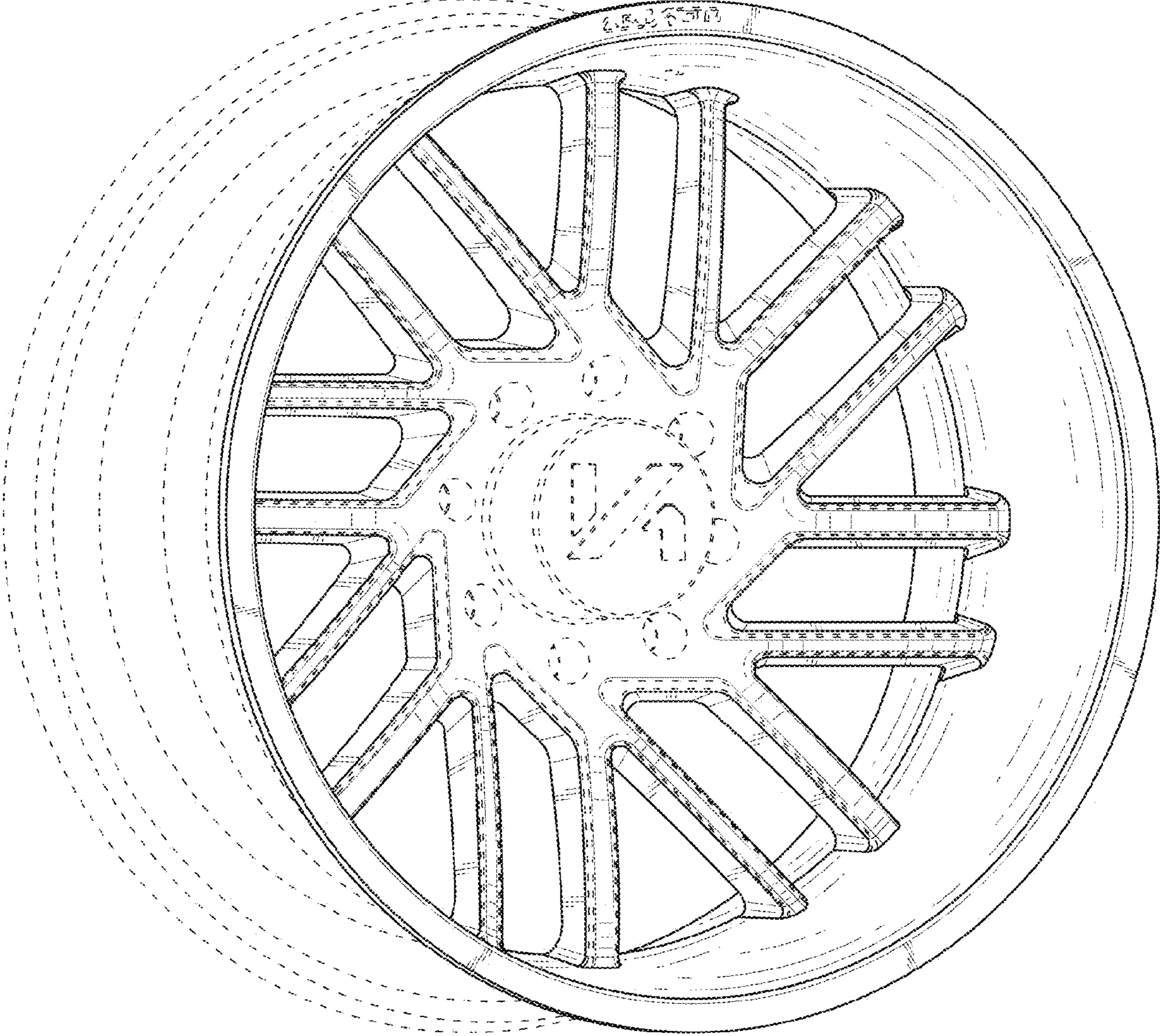


FIG. 10

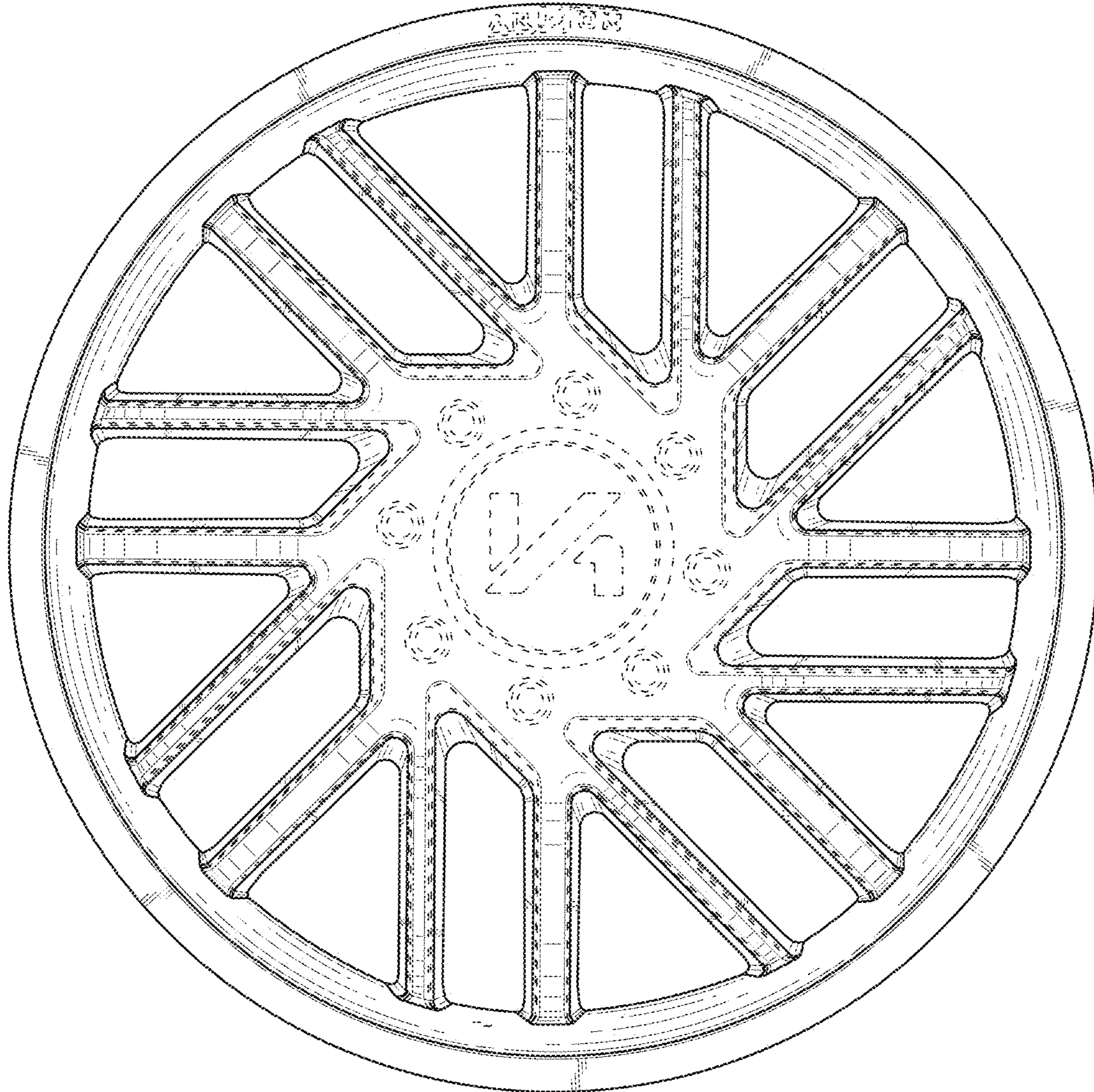


FIG. 11

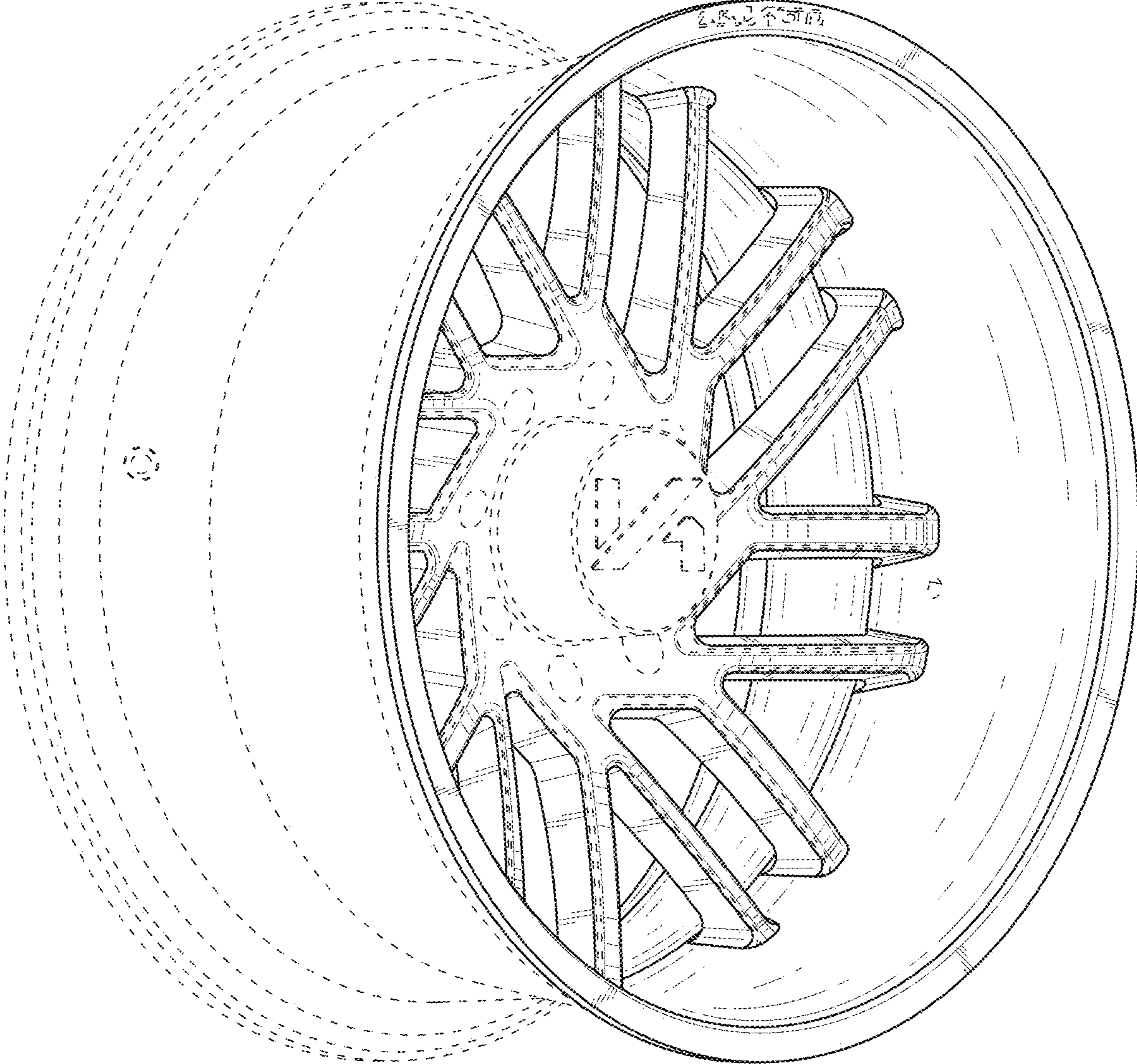


FIG. 12