



US00D943489S

(12) **United States Design Patent**
Chartier

(10) **Patent No.:** **US D943,489 S**

(45) **Date of Patent:** **** Feb. 15, 2022**

(54) **VEHICLE WHEEL**

(71) Applicant: **Arkon Wheels, LLC**, Batavia, IL (US)

(72) Inventor: **Jon L. Chartier**, Appleton, WI (US)

(73) Assignee: **Arkon Wheels, LLC**, Batavia, IL (US)

(**) Term: **15 Years**

(21) Appl. No.: **29/753,355**

(22) Filed: **Sep. 30, 2020**

(51) **LOC (13) Cl.** **12-16**

(52) **U.S. Cl.**

USPC **D12/209**

(58) **Field of Classification Search**

USPC D12/204–213; D21/563

CPC B60B 7/00; B60B 7/02; B60B 7/04; B60B

7/01; B60B 7/06; B60B 3/02; B60B 3/04;

B60B 3/06; B60B 3/10; B60B 1/00;

B60B 1/08; B60B 1/10; B60B 1/12

See application file for complete search history.

(56) **References Cited**

U.S. PATENT DOCUMENTS

D758,275 S *	6/2016	Patel	D12/209
D762,545 S *	8/2016	Hodges	D12/209
D780,655 S *	3/2017	Trim	D12/209
D784,889 S *	4/2017	Peat	D12/209
D837,709 S *	1/2019	Chung	D12/209
D838,647 S *	1/2019	Han	D12/209
D840,900 S *	2/2019	Licklitter	D12/211
D845,857 S *	4/2019	Han	D12/209
D846,478 S *	4/2019	Kovacs	D12/209
D847,721 S *	5/2019	Chung	D12/211
D858,406 S *	9/2019	Johnson	D12/209
D870,631 S *	12/2019	Ash	D12/209
D874,375 S *	2/2020	Han	D12/209
D875,638 S *	2/2020	Johnson	D12/209

D877,676 S *	3/2020	Lee	D12/209
D908,067 S *	1/2021	O'Neill	D12/209
D911,910 S *	3/2021	Hale, Jr.	D12/209
D912,589 S *	3/2021	Hale, Jr.	D12/209
D913,183 S *	3/2021	Aslam	D12/211
D914,573 S *	3/2021	Kirst	D12/209
D920,205 S *	5/2021	Johnson	D12/209
D920,206 S *	5/2021	Johnson	D12/209
D924,770 S *	7/2021	Aslam	D12/209

* cited by examiner

Primary Examiner — Stacia A Cadmus

(74) *Attorney, Agent, or Firm* — Epiphany Law, LLC

(57) **CLAIM**

The ornamental design for a vehicle wheel, as shown and described.

DESCRIPTION

FIG. 1 is a perspective view of a vehicle wheel showing the claimed design;

FIG. 2 is a front view of that seen in FIG. 1;

FIG. 3 is a further perspective view of that seen in FIG. 1;

FIG. 4 is a perspective view of a second embodiment of a vehicle wheel showing the claimed design;

FIG. 5 is a front view of that seen in FIG. 4;

FIG. 6 is a further perspective view of that seen in FIG. 4;

FIG. 7 is a perspective view of a third embodiment of a vehicle wheel showing the claimed design;

FIG. 8 is a front view of that seen in FIG. 7;

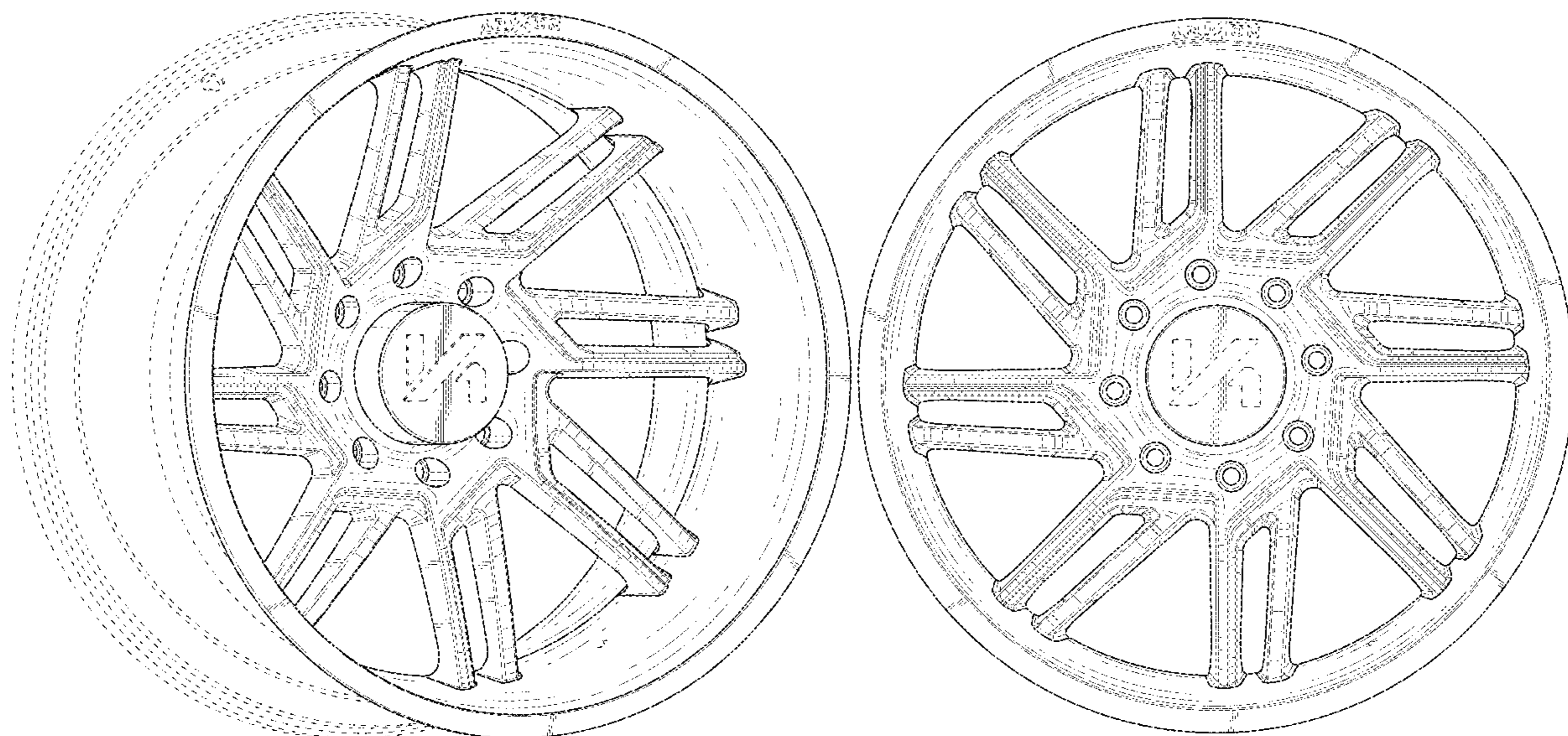
FIG. 9 is a further perspective view of that seen in FIG. 7;

FIG. 10 is a perspective view of a fourth embodiment of a vehicle wheel showing the claimed design;

FIG. 11 is a front view of that seen in FIG. 10; and,

FIG. 12 is a further perspective view of that seen in FIG. 10. In the drawings the broken lines depict portions of the wheel that form no part of the claimed design.

1 Claim, 12 Drawing Sheets



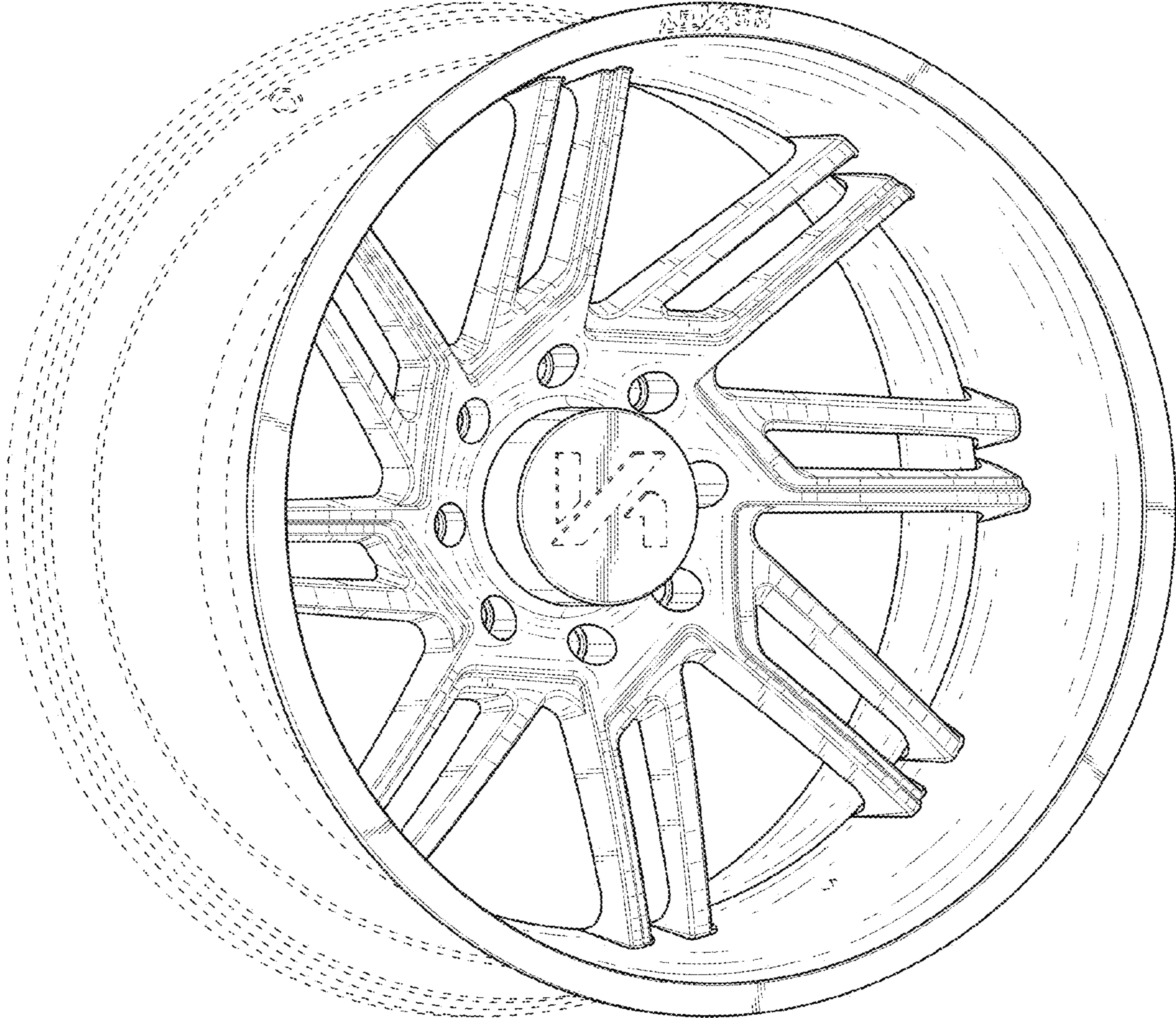


FIG. 1

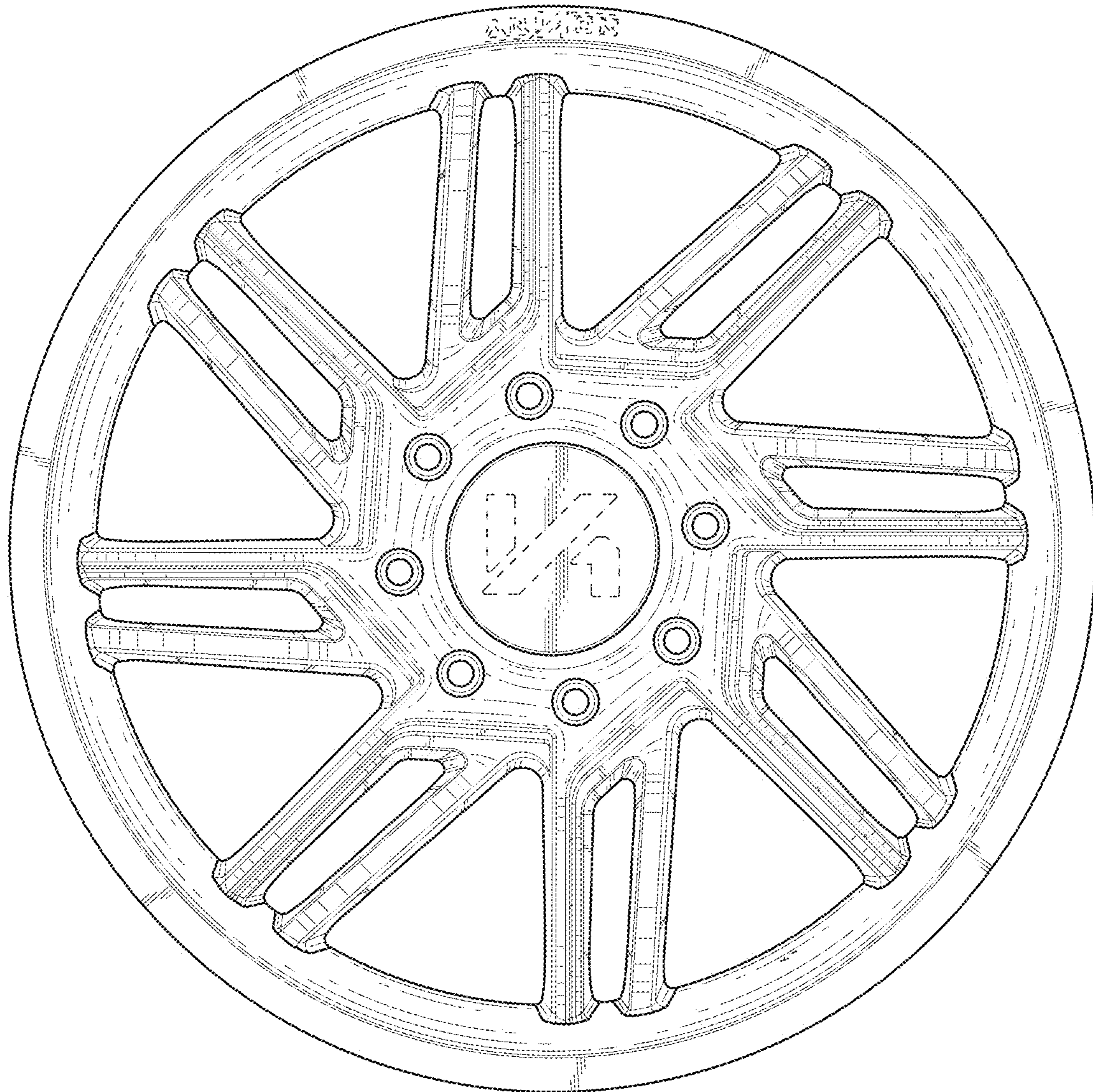


FIG. 2

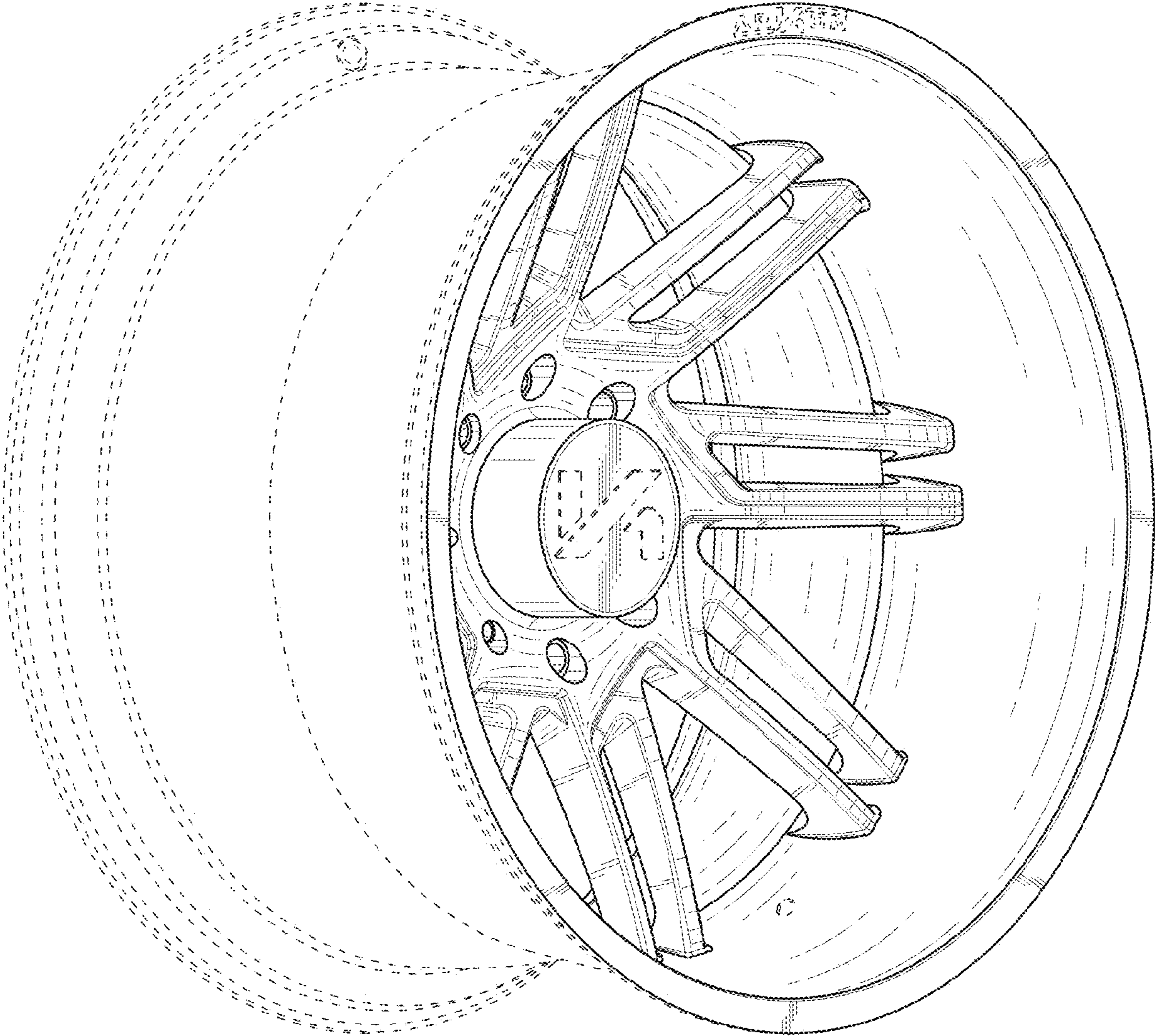


FIG. 3

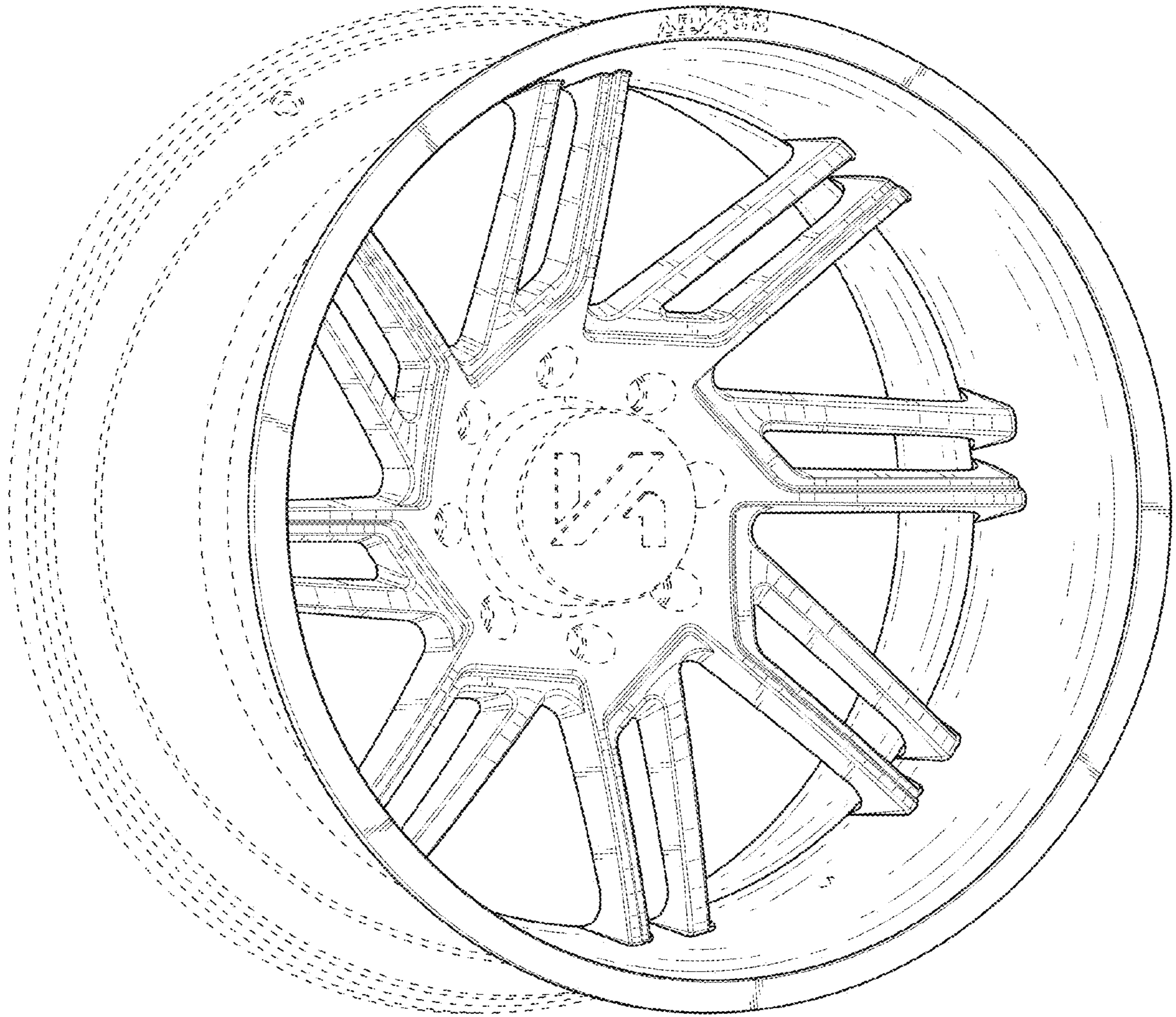


FIG. 4

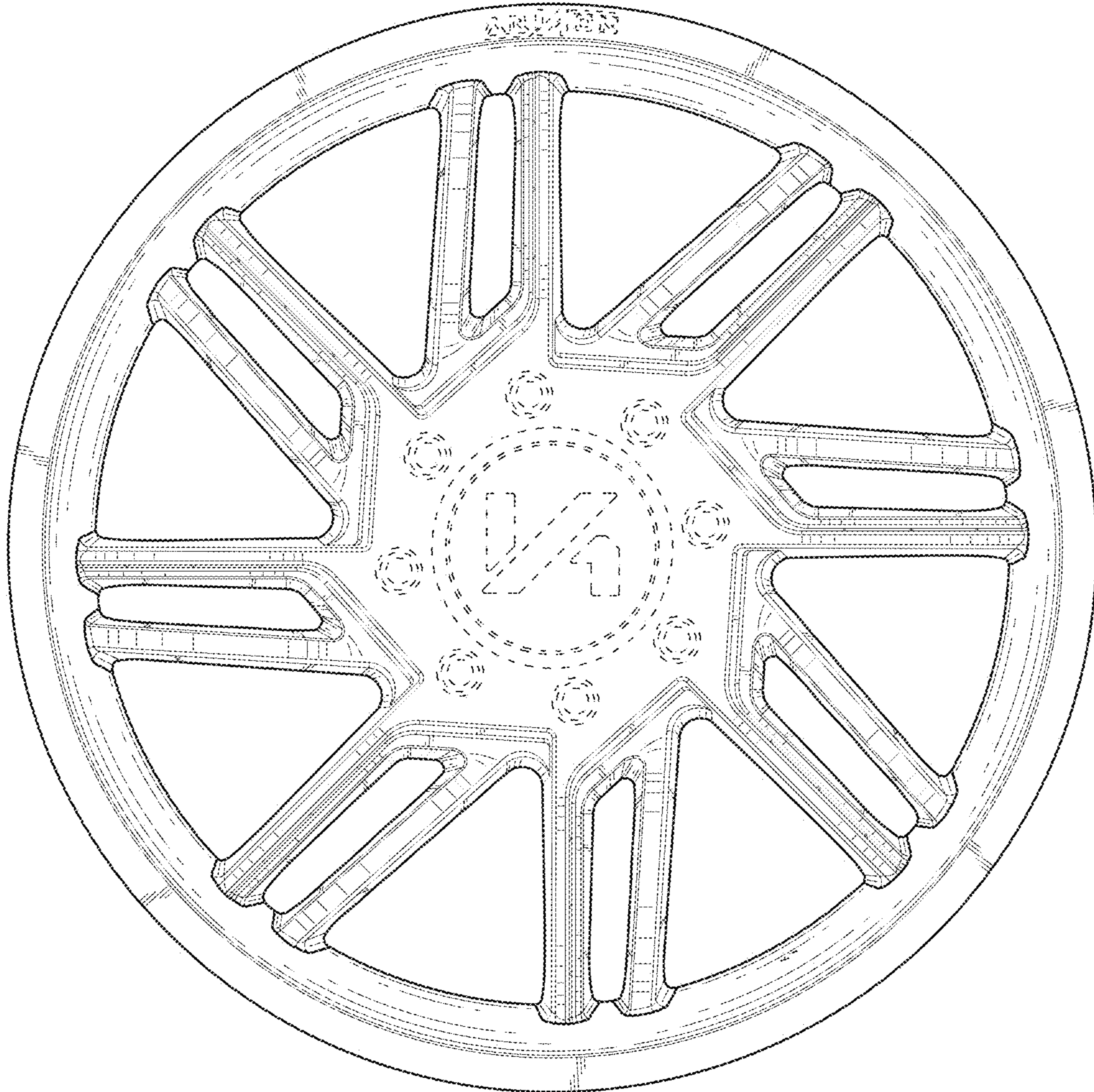


FIG. 5

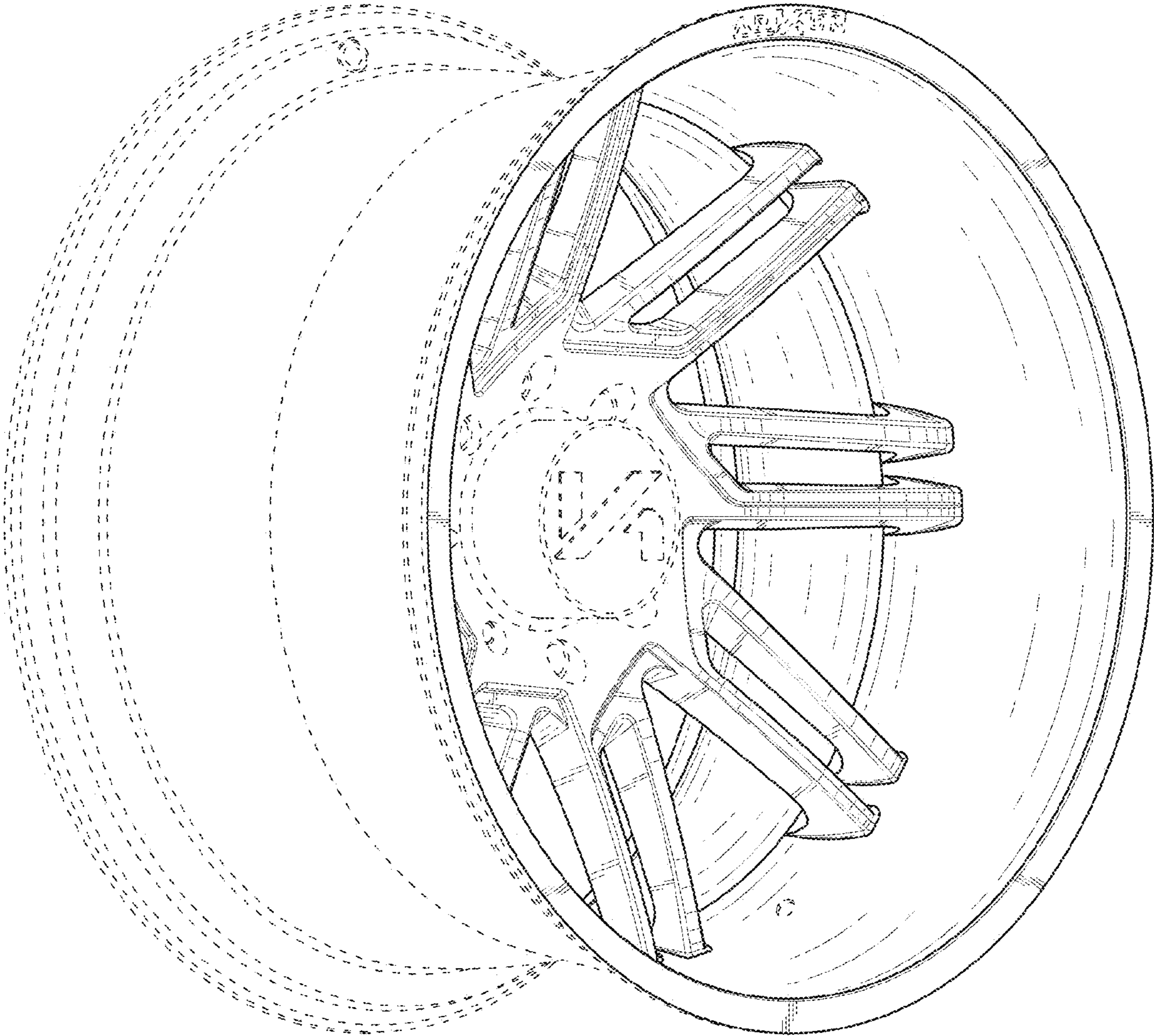


FIG. 6

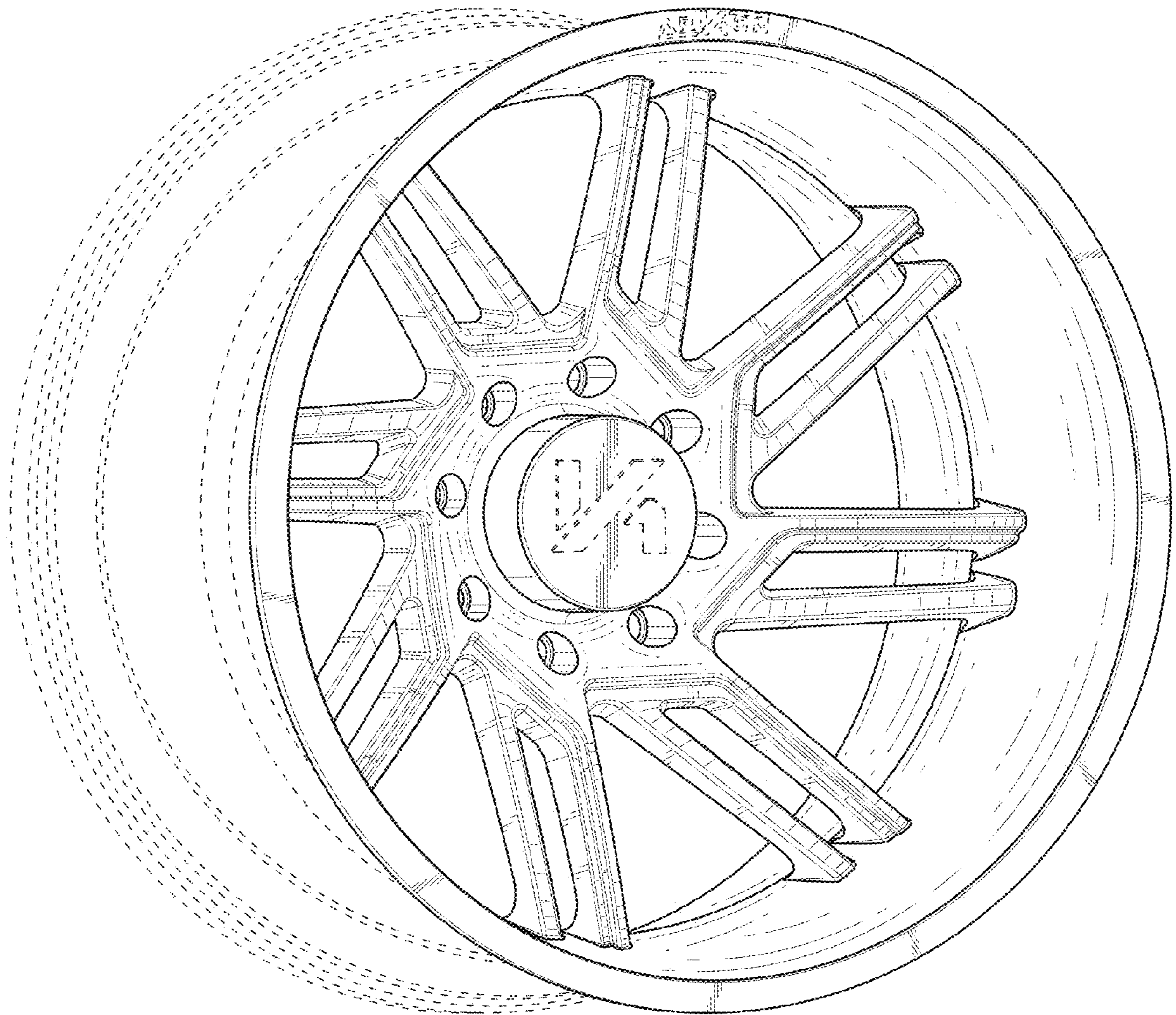


FIG. 7

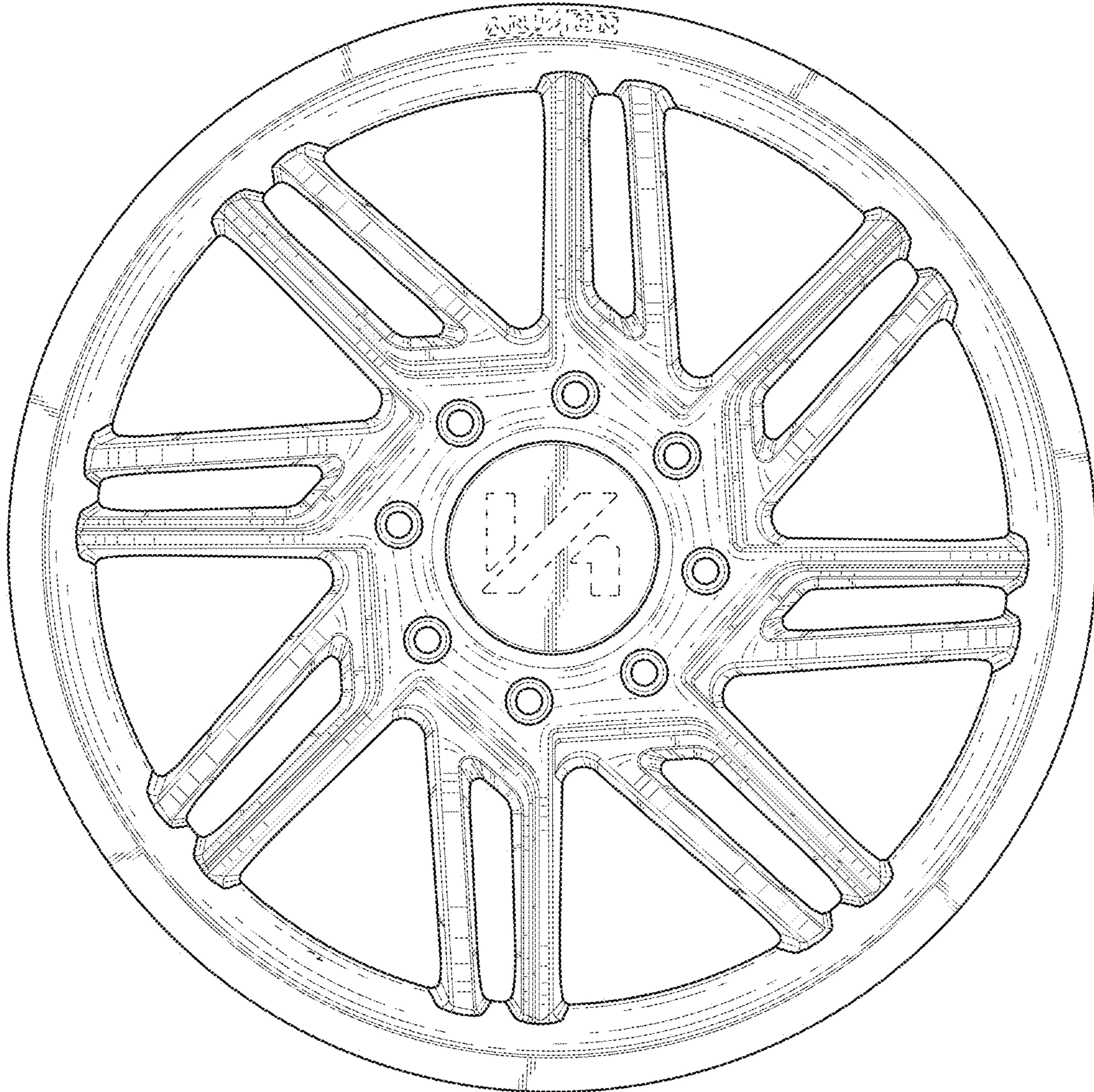


FIG. 8

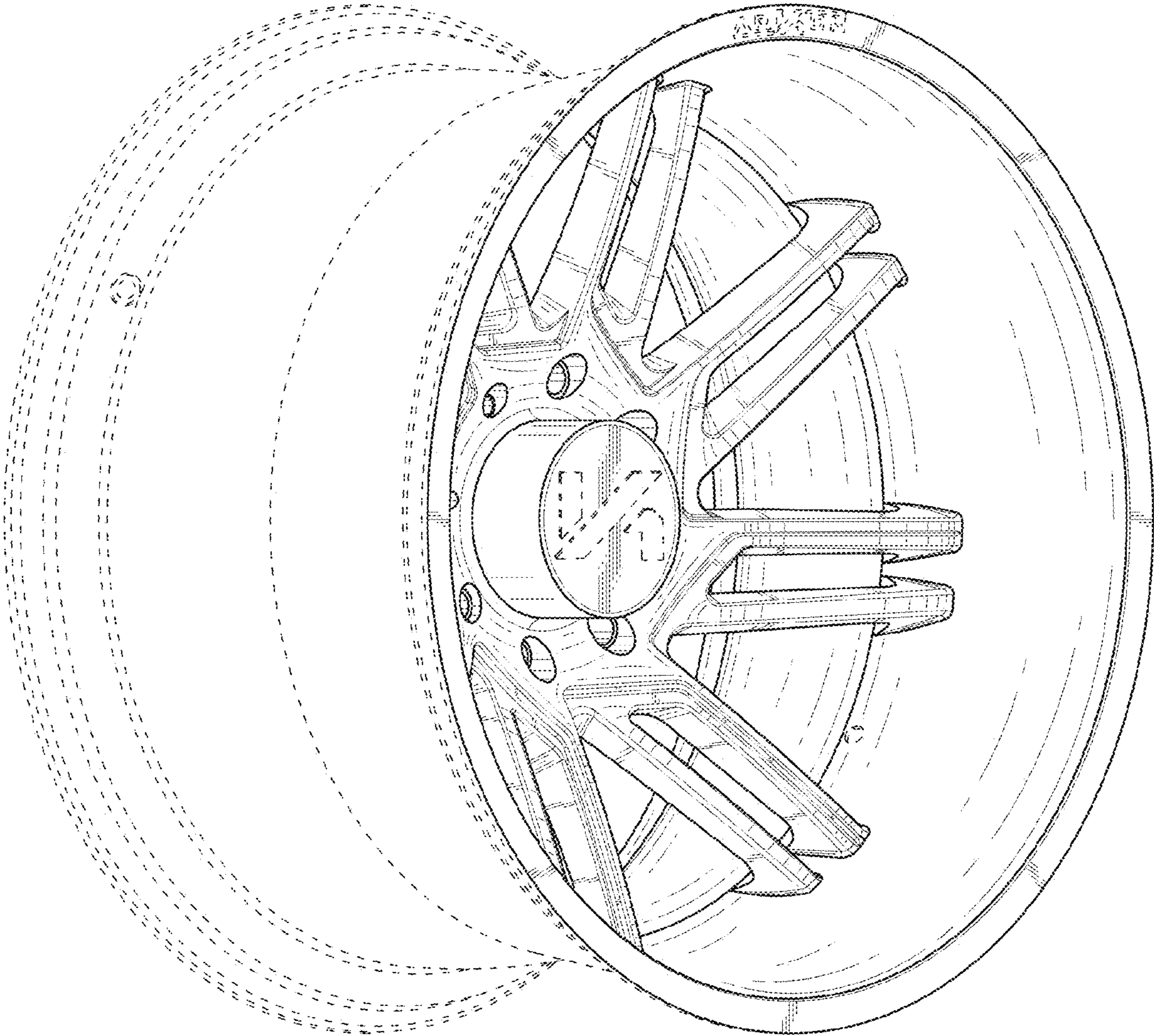


FIG. 9

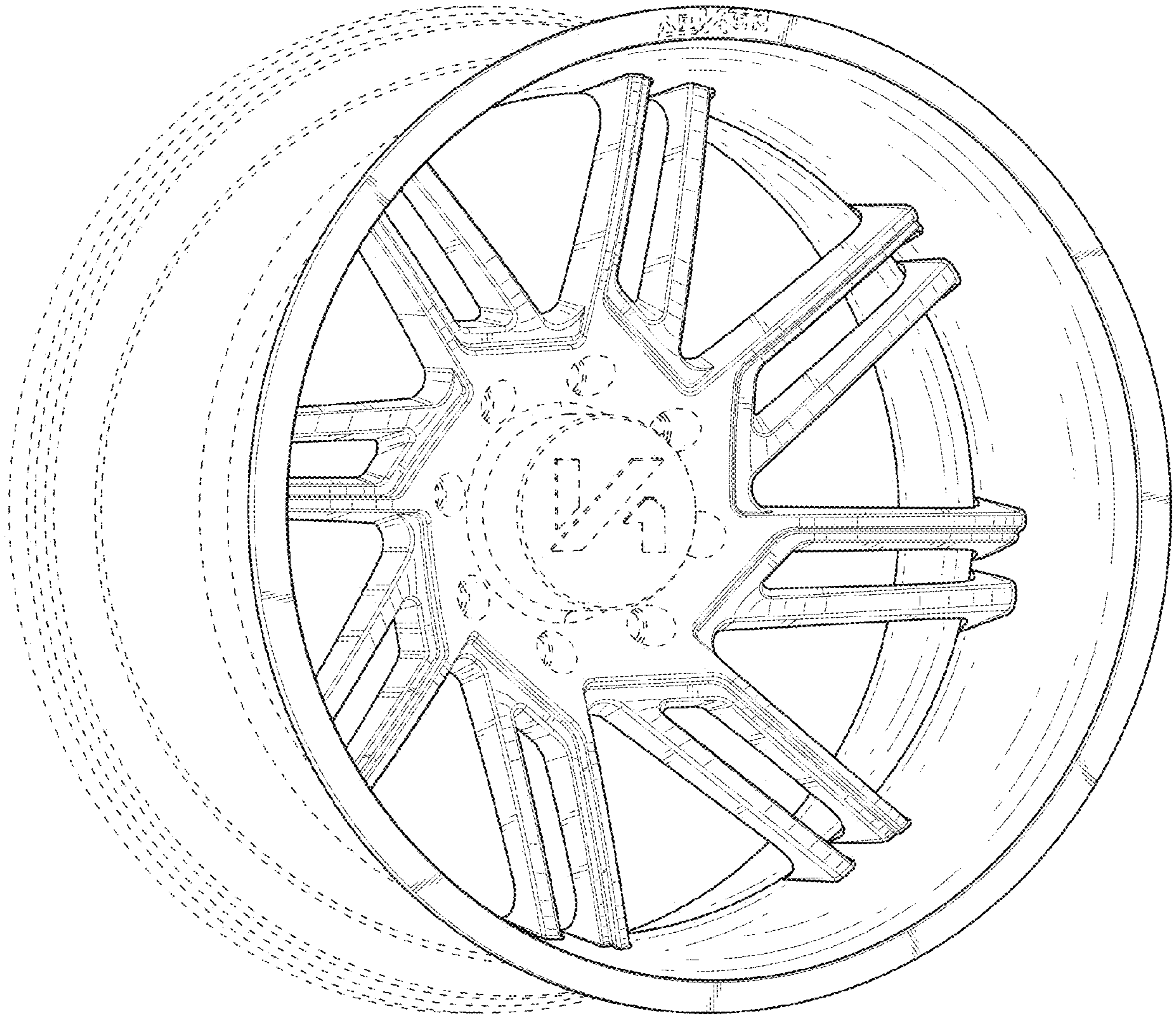


FIG. 10

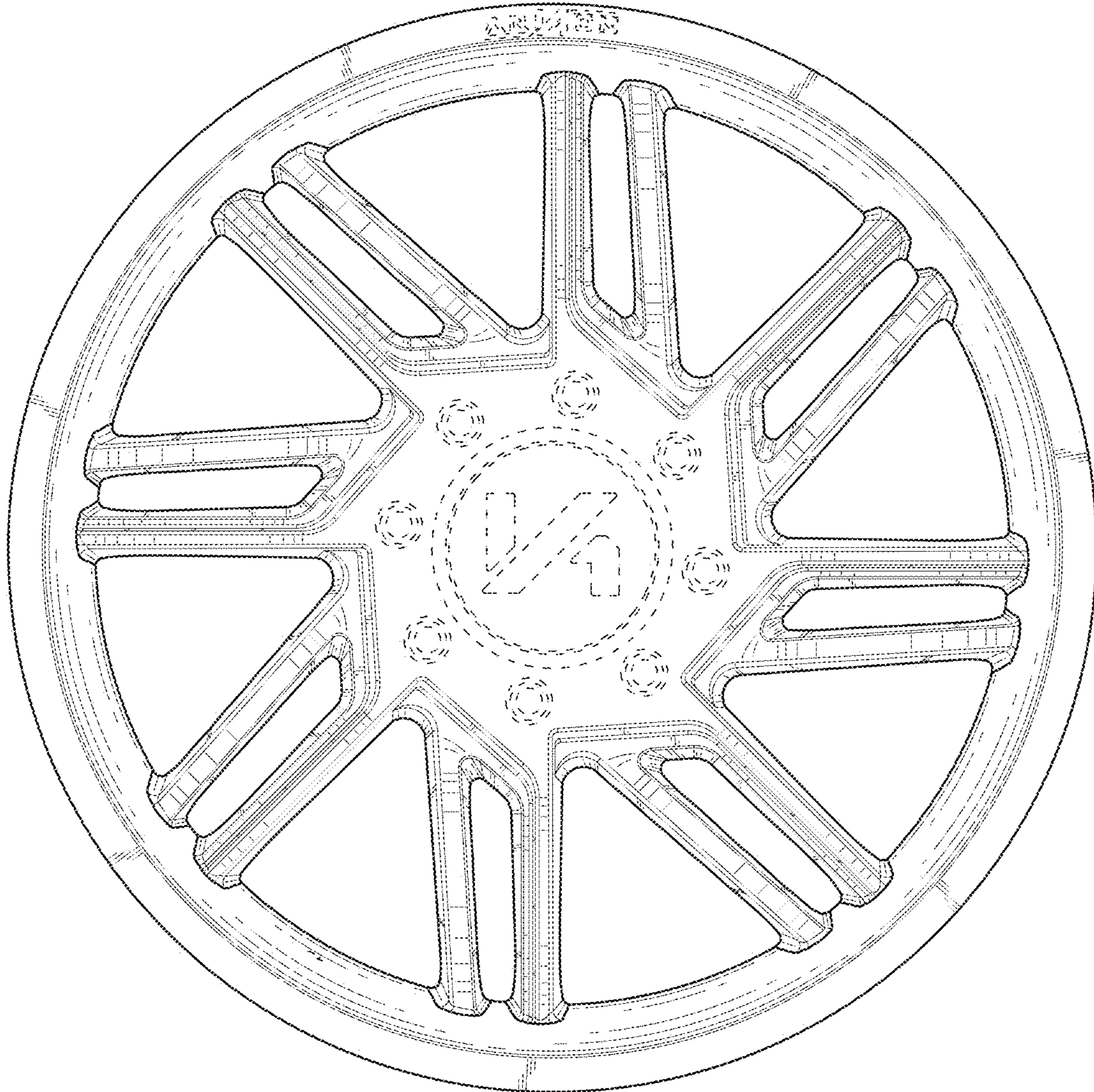


FIG. 11

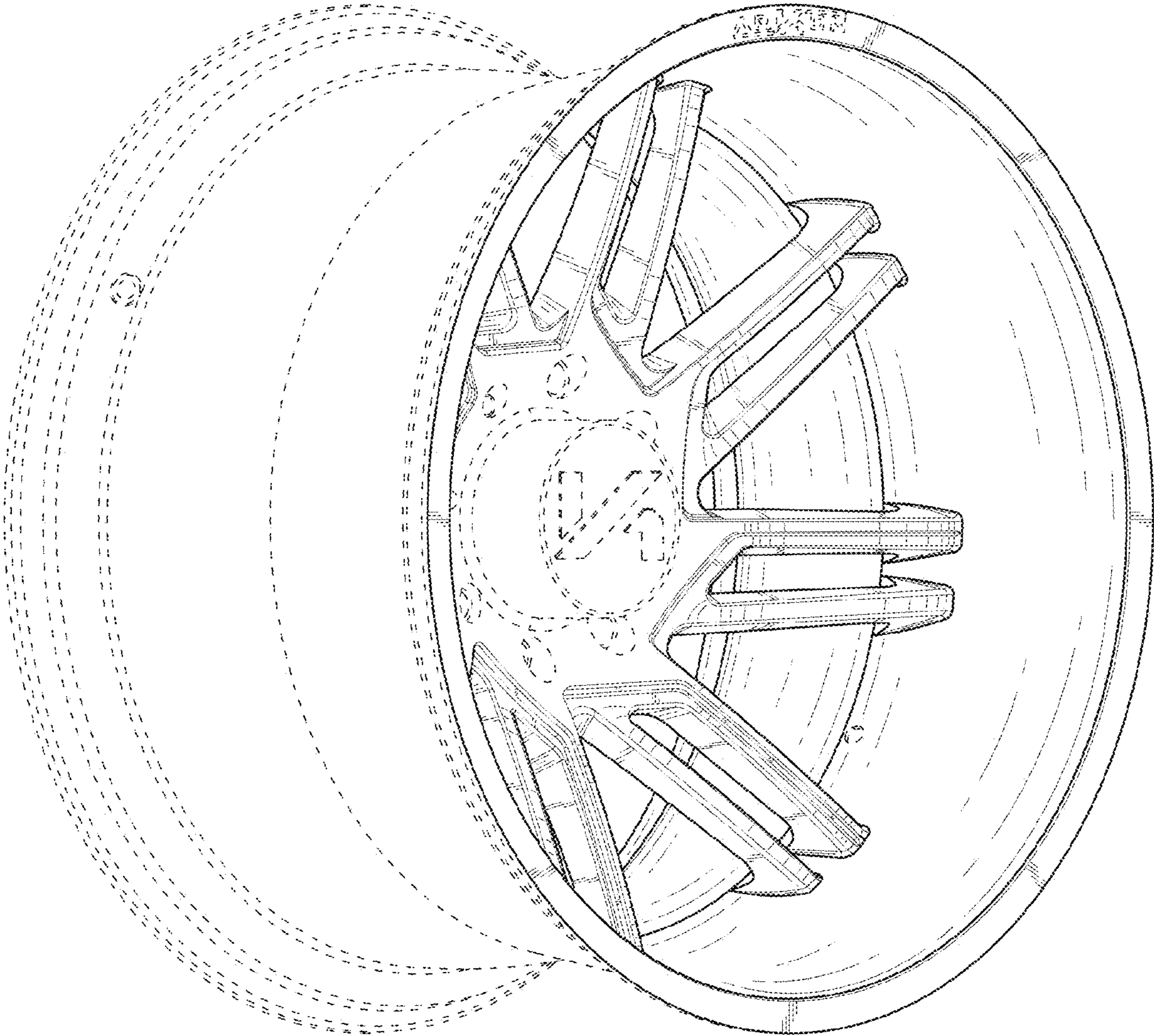


FIG. 12