



US00D943484S

(12) **United States Design Patent**  
**Sempek**

(10) **Patent No.:** **US D943,484 S**

(45) **Date of Patent:** **\*\* Feb. 15, 2022**

(54) **WHEEL RIM**

(71) Applicant: **Allied Wheel Components**, Garden Grove, CA (US)

(72) Inventor: **Christopher Sean Sempek**, Long Beach, CA (US)

(\*\*) Term: **15 Years**

(21) Appl. No.: **29/706,551**

(22) Filed: **Sep. 20, 2019**

(51) **LOC (13) Cl.** ..... **12-16**

(52) **U.S. Cl.**  
USPC ..... **D12/209**

(58) **Field of Classification Search**

USPC ..... D12/204–213; D21/563  
CPC .... B60B 7/00; B60B 7/02; B60B 7/04; B60B 7/01; B60B 7/06; B60B 3/02; B60B 3/04; B60B 3/06; B60B 3/10; B60B 1/00; B60B 1/08; B60B 1/10; B60B 1/12

See application file for complete search history.

(56) **References Cited**

**U.S. PATENT DOCUMENTS**

D58,279 S	6/1921	Weeh et al.	
1,404,382 A	1/1922	Lewis et al.	
1,530,863 A	3/1925	Vanderveer et al.	
D208,543 S *	9/1967	Halibrand .....	D12/211
D391,216 S *	2/1998	Bollmann .....	D12/209
D396,208 S	7/1998	Baumgartner et al.	
D448,712 S *	10/2001	Laengerer .....	D12/209
D450,649 S	11/2001	Penzes	
D459,691 S *	7/2002	Takechi .....	D12/211
D466,466 S *	12/2002	Laengerer .....	D12/211
D477,556 S	7/2003	Koch	
D481,344 S *	10/2003	Martin .....	D12/211
D481,984 S	11/2003	Sulahian	
D497,870 S	11/2004	Cahyono	
D504,101 S	4/2005	Pfeiffer	
D504,102 S	4/2005	Cheng	

D506,173 S *	6/2005	Pfeiffer .....	D12/211
D508,007 S	8/2005	Koch	
D513,728 S	1/2006	Yazawa et al.	
D516,490 S	3/2006	Baer	
D522,429 S *	6/2006	Ishiwata .....	D12/209
D524,214 S *	7/2006	Pfeiffer .....	D12/211
D524,217 S	7/2006	Aoki	
D529,426 S	10/2006	Metros et al.	
D534,473 S	1/2007	Bernoni	
D538,215 S	3/2007	Laengerer	
D542,210 S	5/2007	Plumer	
D543,922 S	6/2007	Young	
D555,065 S	11/2007	Hernandez	
D582,828 S *	12/2008	Young .....	D12/211
D587,179 S	2/2009	Pfeiffer	
D608,711 S	1/2010	Juergens et al.	
D609,624 S	2/2010	Matsubara	
D617,710 S	6/2010	Ectors et al.	

(Continued)

**OTHER PUBLICATIONS**

Raceline Wheels, Go Everywhere, Catalog, Apr. 7, 2017, Allied Wheel Components Inc, vol. 29, 16 pages.

(Continued)

*Primary Examiner* — Stacia A Cadmus

(74) *Attorney, Agent, or Firm* — Fish IP Law, LLP; Joseph A. Andelin

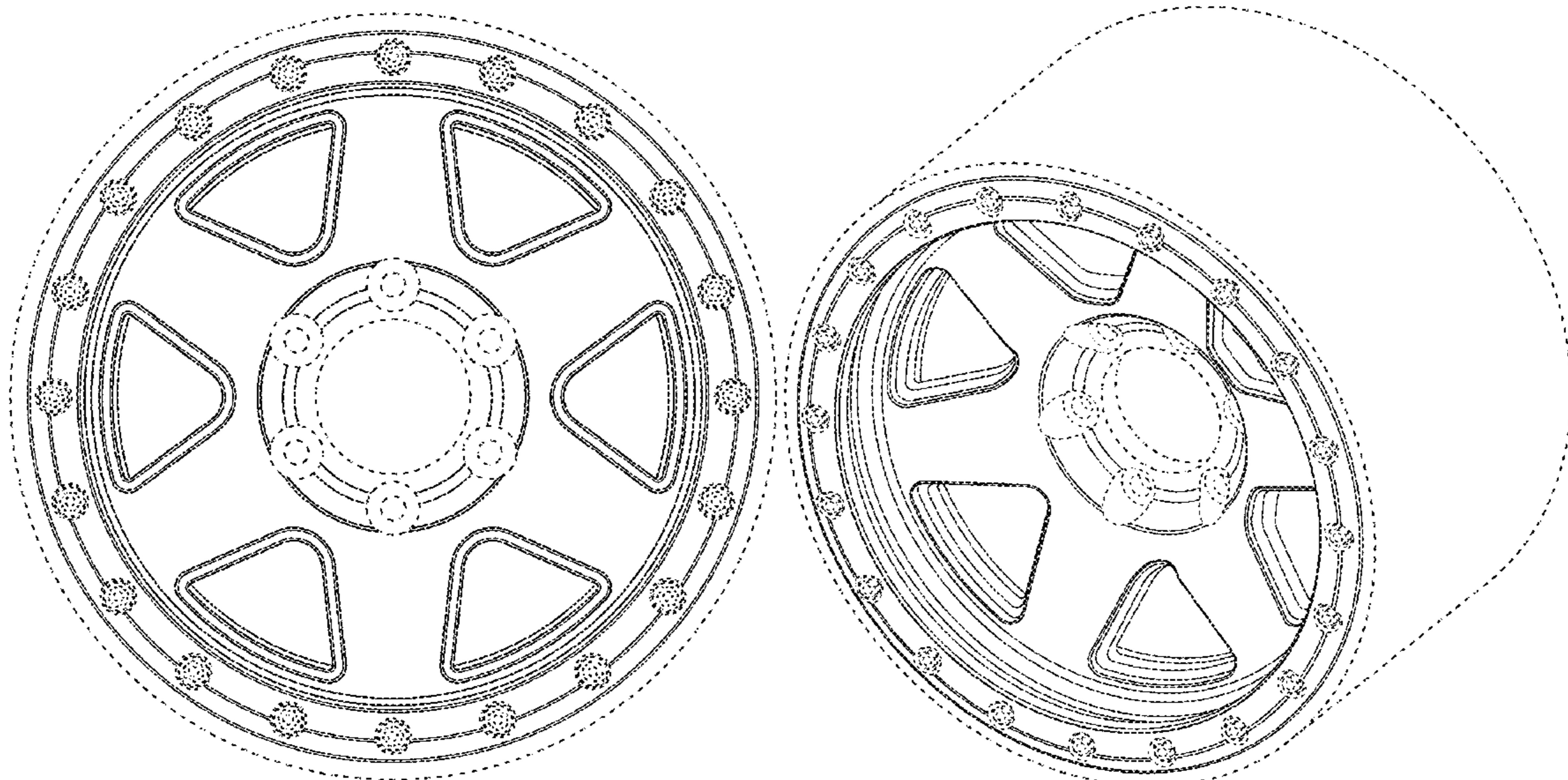
(57) **CLAIM**

I claim the ornamental design for a wheel rim, as shown and described.

**DESCRIPTION**

FIG. 1 is a front elevation view of a wheel rim of the new design; and, FIG. 2 is a top, front, right side perspective view thereof. The broken lines depicting portions of the wheel rim form no part of the claim.

**1 Claim, 2 Drawing Sheets**





(56)

References Cited

U.S. PATENT DOCUMENTS

D619,070 S 7/2010 Pollmann  
 D620,862 S 8/2010 Pollmann  
 D623,110 S 9/2010 Juergens et al.  
 D628,948 S 12/2010 Chung  
 D629,347 S 12/2010 Kim  
 D632,239 S 2/2011 Gallert  
 D639,222 S 6/2011 Johnson  
 D644,587 S 9/2011 Gotschke  
 D659,063 S 5/2012 Johnson  
 D660,220 S 5/2012 Chan  
 D666,546 S 9/2012 Juergens et al.  
 D667,355 S 9/2012 Gotschke  
 D675,973 S \* 2/2013 Lee ..... D12/211  
 D682,180 S 5/2013 Zhao  
 D688,190 S 8/2013 Hodges  
 D691,542 S 10/2013 Chan  
 D695,183 S 12/2013 Chung  
 D696,616 S 12/2013 Gueler et al.  
 D697,015 S 1/2014 Nemeth  
 D702,173 S 4/2014 Perini  
 D706,196 S 6/2014 Lee  
 D715,722 S 10/2014 Johnson  
 D717,224 S 11/2014 Kim  
 D717,711 S 11/2014 Kern  
 D720,271 S 12/2014 Mielke et al.  
 D721,318 S 1/2015 Kim  
 D722,937 S 2/2015 Johnson  
 D724,515 S 3/2015 Chung  
 D726,089 S 4/2015 Hodges  
 D726,090 S 4/2015 Hilpert  
 D736,134 S \* 8/2015 Platto ..... D12/211  
 D739,329 S 9/2015 Watkin  
 D742,799 S \* 11/2015 Zhao ..... D12/211  
 D744,399 S 12/2015 Juergens et al.  
 D744,931 S 12/2015 Curic et al.  
 D749,486 S 2/2016 Huang  
 D751,017 S 3/2016 Chung  
 D751,481 S 3/2016 Chung  
 D751,966 S 3/2016 Zhao  
 D754,049 S 4/2016 Valencia  
 D756,877 S 5/2016 Huang  
 D758,945 S \* 6/2016 Zhao ..... D12/211  
 D772,133 S 11/2016 Stone et al.  
 D775,047 S 12/2016 Wheel  
 D782,950 S \* 4/2017 Hatton ..... D12/209  
 D782,951 S 4/2017 Bjerke  
 D786,768 S 5/2017 Youssef  
 D789,269 S 6/2017 Krause  
 D791,035 S 7/2017 Palana  
 D799,398 S 10/2017 Liffick  
 D800,628 S 10/2017 Tran  
 D803,129 S 11/2017 McMath  
 D803,133 S 11/2017 Bucher et al.

D806,630 S 1/2018 McMath  
 D808,325 S 1/2018 Chung  
 D813,137 S 3/2018 Sempek  
 D813,780 S 3/2018 Sempek  
 D815,005 S 4/2018 Cloke  
 D817,840 S 5/2018 Chung  
 D817,844 S 5/2018 Hale, Jr.  
 D824,834 S 8/2018 Licklitter  
 D828,271 S 9/2018 Han  
 D834,487 S 11/2018 Han  
 D845,860 S 4/2019 Kulla et al.  
 D853,933 S \* 7/2019 Henderson ..... D12/211  
 D855,541 S \* 8/2019 Li ..... D12/211  
 D856,245 S \* 8/2019 Hale, Jr. .... D12/209  
 D858,405 S 9/2019 Marmine et al.  
 D859,258 S \* 9/2019 Hale, Jr. .... D12/209  
 D860,908 S 9/2019 Han  
 D878,992 S 3/2020 Yeh  
 D879,006 S 3/2020 Metros et al.  
 D883,886 S \* 5/2020 Sempek ..... D12/209  
 D885,284 S \* 5/2020 Han ..... D12/209  
 D892,018 S 8/2020 Han  
 D908,069 S 1/2021 Lee  
 D908,070 S \* 1/2021 Wheel ..... D12/211  
 D915,981 S \* 4/2021 Kangas ..... D12/209  
 D937,177 S \* 11/2021 VanRyn ..... D12/209

OTHER PUBLICATIONS

Raceline Wheels, Go Everywhere, Catalog, Oct. 16, 2015, Allied Wheel Components Inc, vol. 24, 28 pages.  
 Raceline Wheels, Go Everywhere, Catalog, Feb. 21, 2017, Allied Wheel Components Inc, vol. 22, 9 page.  
 Raceline Wheels, Go Everywhere, Catalog, Feb. 21, 2017, Allied Wheel Components Inc, vol. 23, 16 pages.  
 Raceline Wheels, Go Everywhere, Catalog, Feb. 23, 2017, Allied Wheel Components Inc, vol. 28, 20 pages.  
 Raceline Wheels, Go Everywhere, Catalog, Mar. 24, 2016, Allied Wheel Components Inc, vol. 26, 28 pages.  
 Raceline Wheels, Go Everywhere, Catalog, Oct. 24, 2016, Allied Wheel Components Inc, vol. 27, 20 pages.  
 Raceline Wheels, Go Everywhere, Catalog, Oct. 25, 2017, Allied Wheel Components Inc, vol. 30, 20 pages.  
 Raceline Wheels, Go Everywhere, Catalog, Jan. 26, 2016, Allied Wheel Components Inc, vol. 25, 28 pages.  
 Raceline Wheels, Go Everywhere, Catalog, Feb. 27, 2018, Allied Wheel Components Inc, vol. 31, 24 pages.  
 Raceline Wheels, Go Everywhere, Catalog, Allied Wheel Components Inc, vol. 22, 16 pages.  
 Raceline Wheels, Go Everywhere, Catalog, Allied Wheel Components Inc, vol. 26, 13 pages.  
 Office Action, U.S. Appl. No. 29/719,784, dated May 19, 2021.

\* cited by examiner

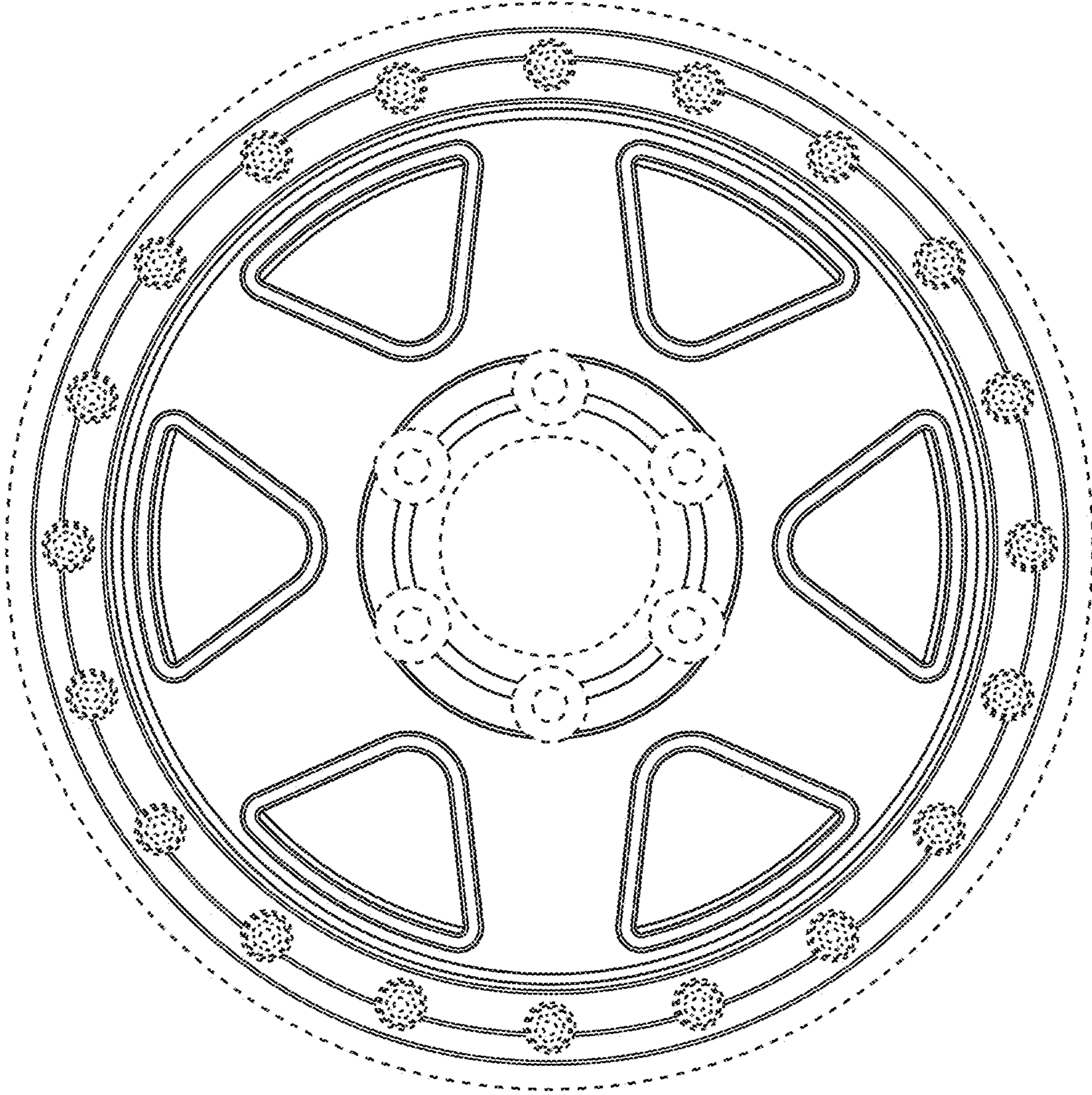


FIG. 1



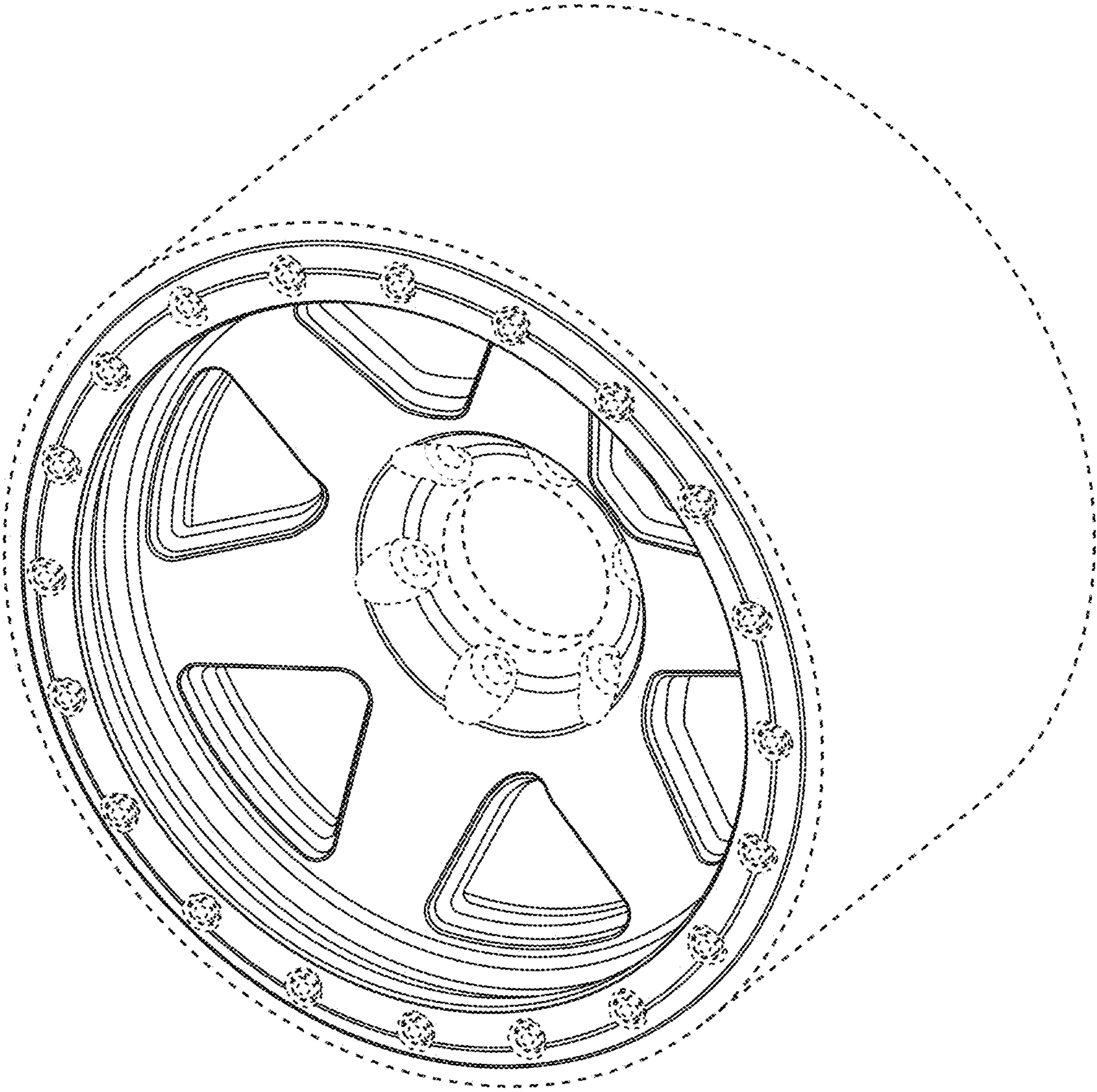


FIG. 2