



US00D943481S

(12) **United States Design Patent**
Yang

(10) **Patent No.:** **US D943,481 S**

(45) **Date of Patent:** **** Feb. 15, 2022**

- (54) **VEHICLE MAT**
- (71) Applicant: **FORMOSA SAINT JOSE CORPORATION**, Taipei (TW)
- (72) Inventor: **Ming-Shun Yang**, Taipei (TW)
- (73) Assignee: **FORMOSA SAINT JOSE CORP.**, Taipei (TW)
- (**) Term: **15 Years**
- (21) Appl. No.: **29/757,107**
- (22) Filed: **Nov. 3, 2020**
- (51) **LOC (13) Cl.** **12-16**
- (52) **U.S. Cl.**
USPC **D12/203**
- (58) **Field of Classification Search**
USPC D12/203, 221; D6/582-586, 592-594
CPC B60R 13/01; B60N 3/044; B60N 3/04
See application file for complete search history.

D798,210 S *	9/2017	Ying	D12/203
D801,248 S *	10/2017	Zheng	D12/203
D804,386 S *	12/2017	Tan	D12/203
D813,776 S *	3/2018	Jaimes	D12/203
D873,754 S *	1/2020	Johnson	D12/203
D892,023 S *	8/2020	Price	D12/221
2006/0091694 A1 *	5/2006	MacNeil	B29C 45/76 296/97.23
2006/0091695 A1 *	5/2006	MacNeil	B32B 27/08 296/97.23
2010/0055411 A1 *	3/2010	Stanesic	B60N 3/044 428/192
2011/0024229 A1 *	2/2011	Yang	B60N 3/048 181/294
2013/0171419 A1 *	7/2013	Tyler	B60N 3/044 428/167
2017/0182920 A1 *	6/2017	Reband	B60N 3/044
2018/0015862 A1 *	1/2018	Chavez Martinez	..	B60N 3/044
2018/0086243 A1 *	3/2018	Johnson	B60N 3/046

* cited by examiner

Primary Examiner — Michelle E. Wilson

Assistant Examiner — Clese Moore, Jr.

(74) *Attorney, Agent, or Firm* — Pro-Techt International Services; Ian Oglesby

(56) **References Cited**

U.S. PATENT DOCUMENTS

D372,011 S *	7/1996	Tyler	D12/203
D408,342 S *	4/1999	Yang	D12/203
5,891,546 A *	4/1999	Sherman	B60R 13/02 428/88
D442,530 S *	5/2001	Lu	D12/203
D468,249 S *	1/2003	Lu	D12/203
D514,493 S *	2/2006	MacNeil	D12/203
D522,428 S *	6/2006	MacNeil	D12/203
D656,874 S *	4/2012	MacNeil	D12/203
D656,875 S *	4/2012	MacNeil	D12/203
8,851,551 B1 *	10/2014	Kaufman	B60N 3/046 296/97.23
8,967,697 B1 *	3/2015	Yang	B60N 3/044 296/97.23
D782,382 S *	3/2017	Jaimes	D12/203

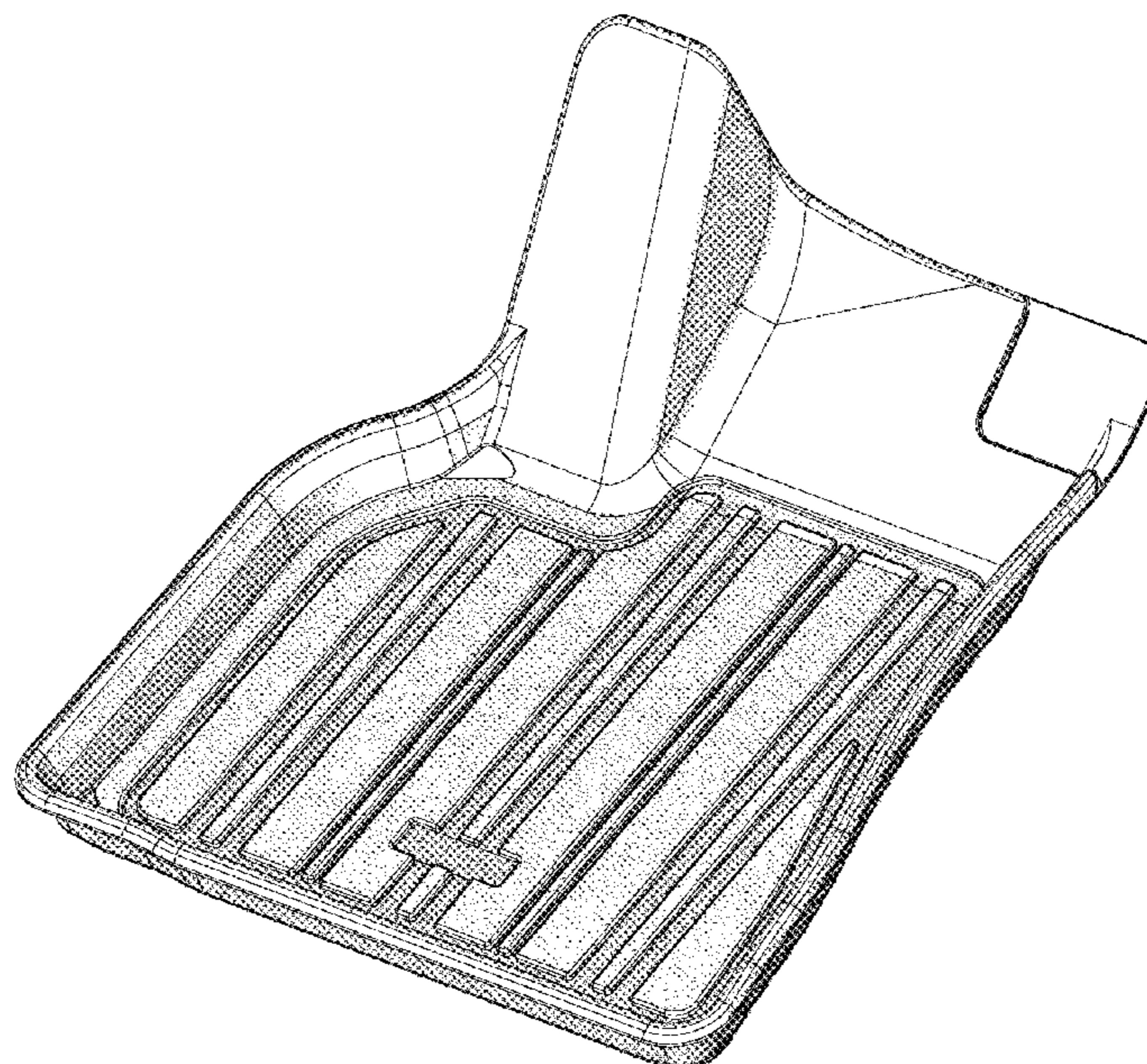
(57) **CLAIM**

The ornamental design for a vehicle mat, as shown and described.

DESCRIPTION

FIG. 1 is a perspective view of a vehicle mat showing my new design;
FIG. 2 is a front elevational view thereof;
FIG. 3 is a rear elevational view thereof;
FIG. 4 is a left elevational view thereof;
FIG. 5 is a right elevational view thereof,
FIG. 6 is a top plan view thereof; and,
FIG. 7 is a bottom plan view thereof;

1 Claim, 5 Drawing Sheets



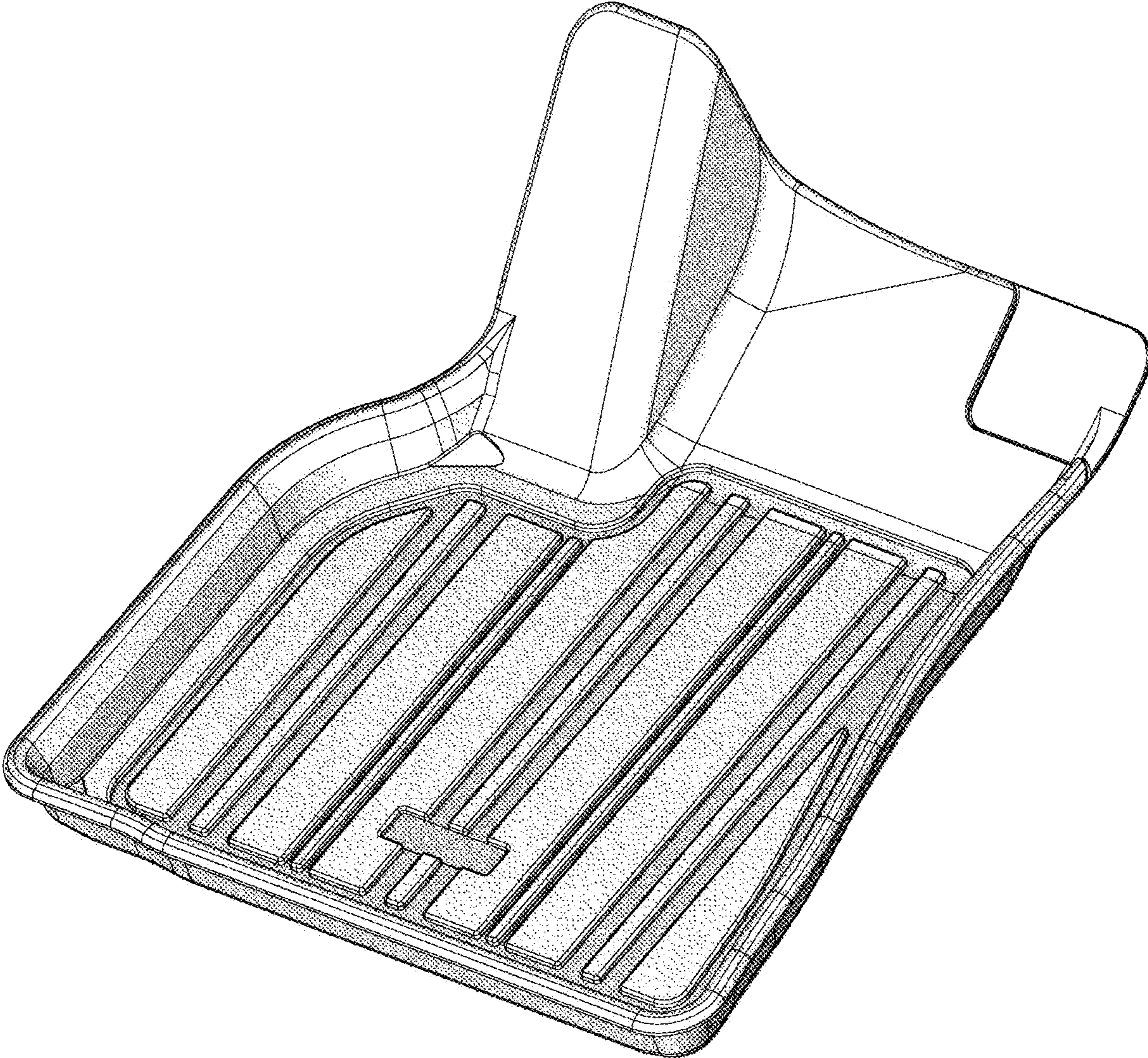


FIG. 1

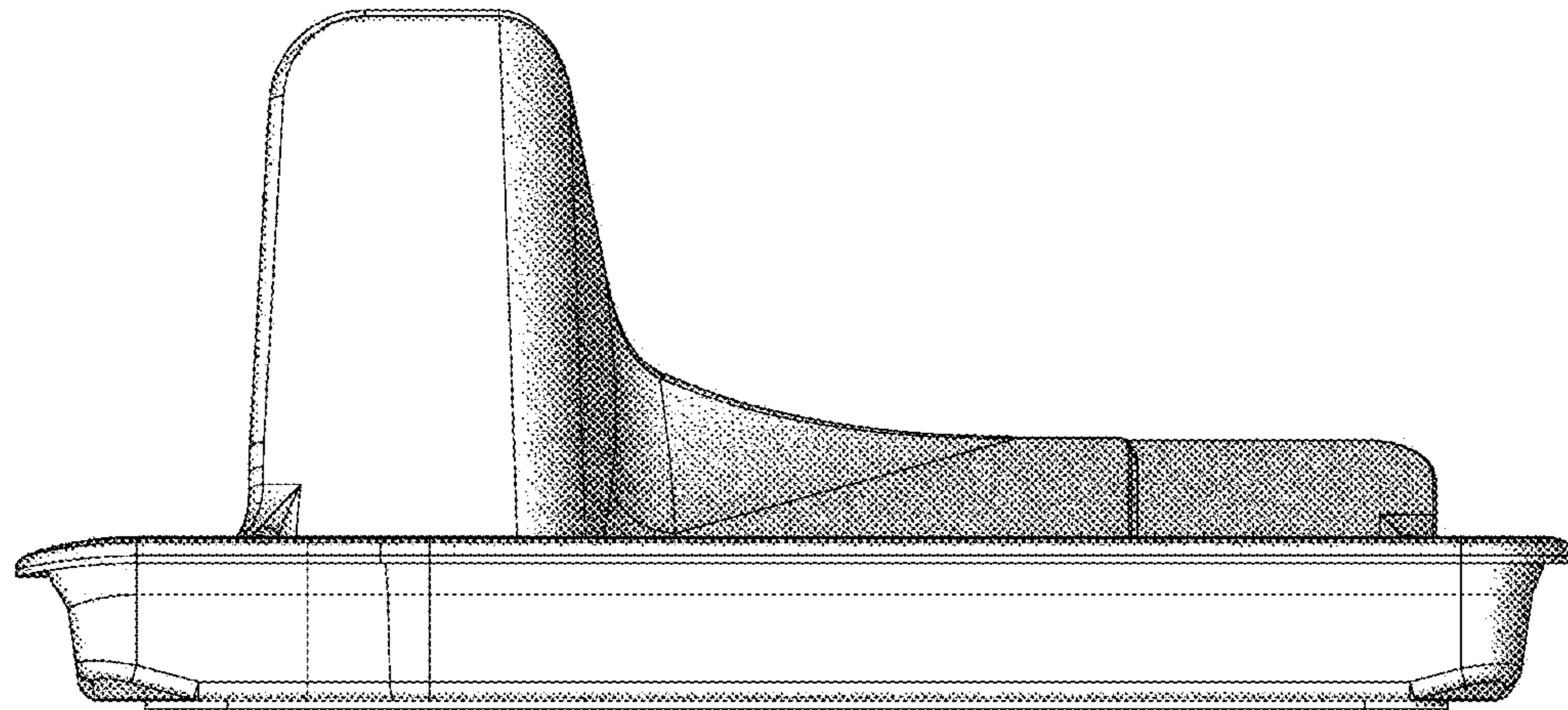


FIG. 2

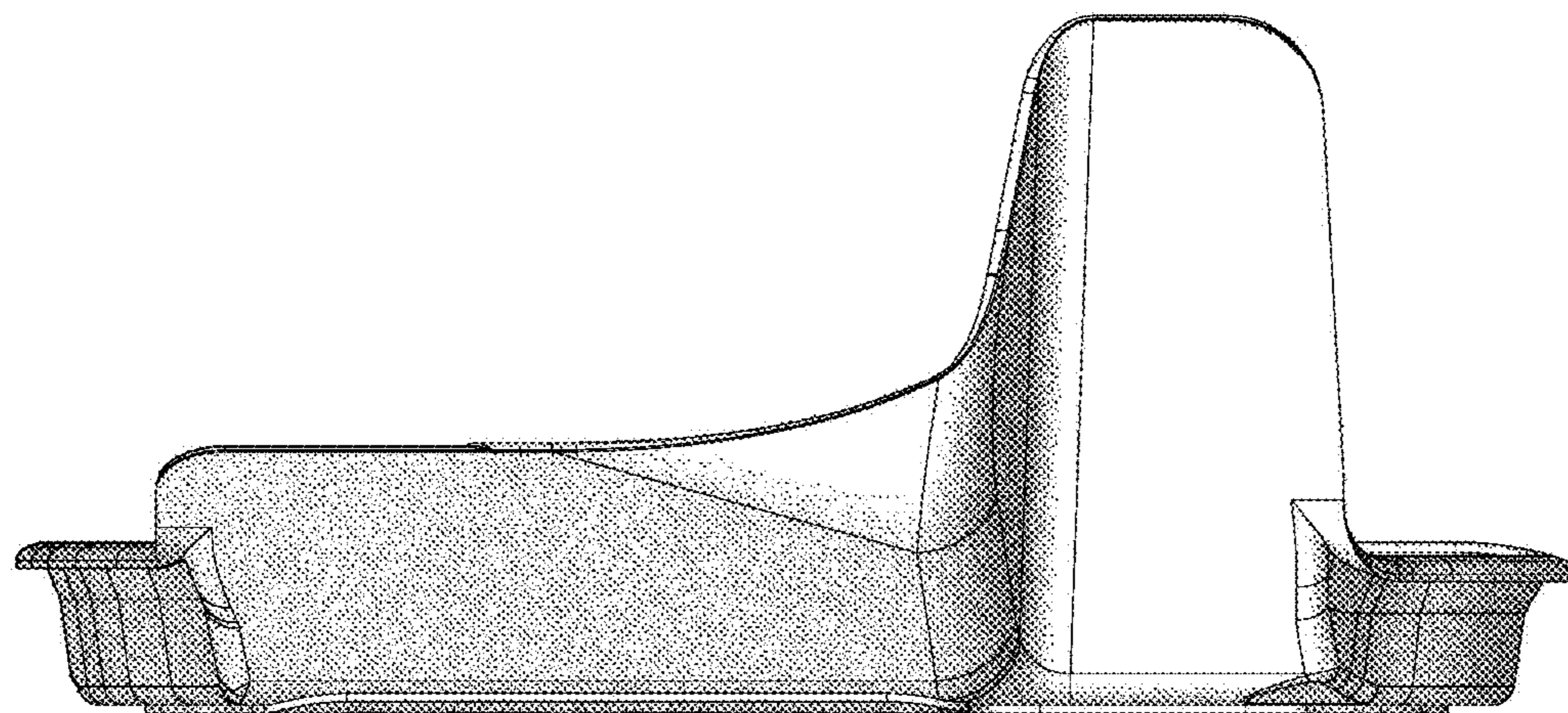


FIG. 3

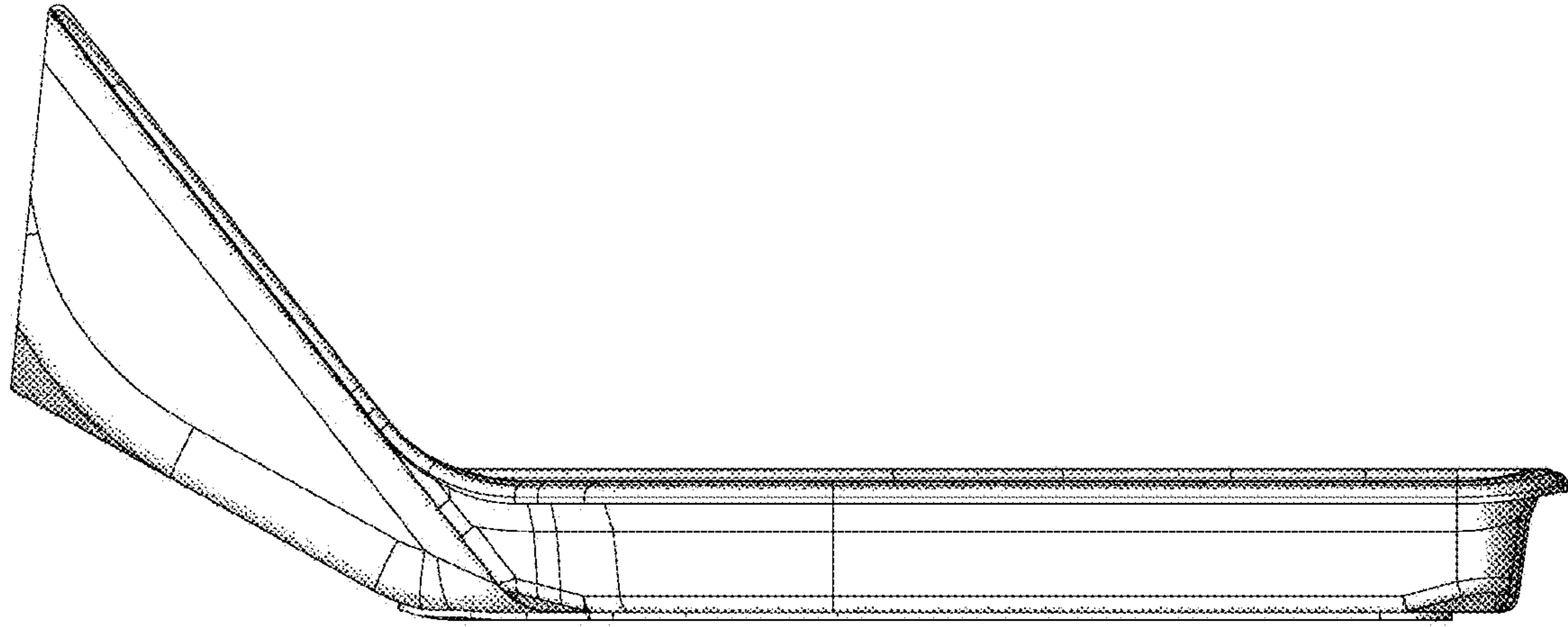


FIG. 4

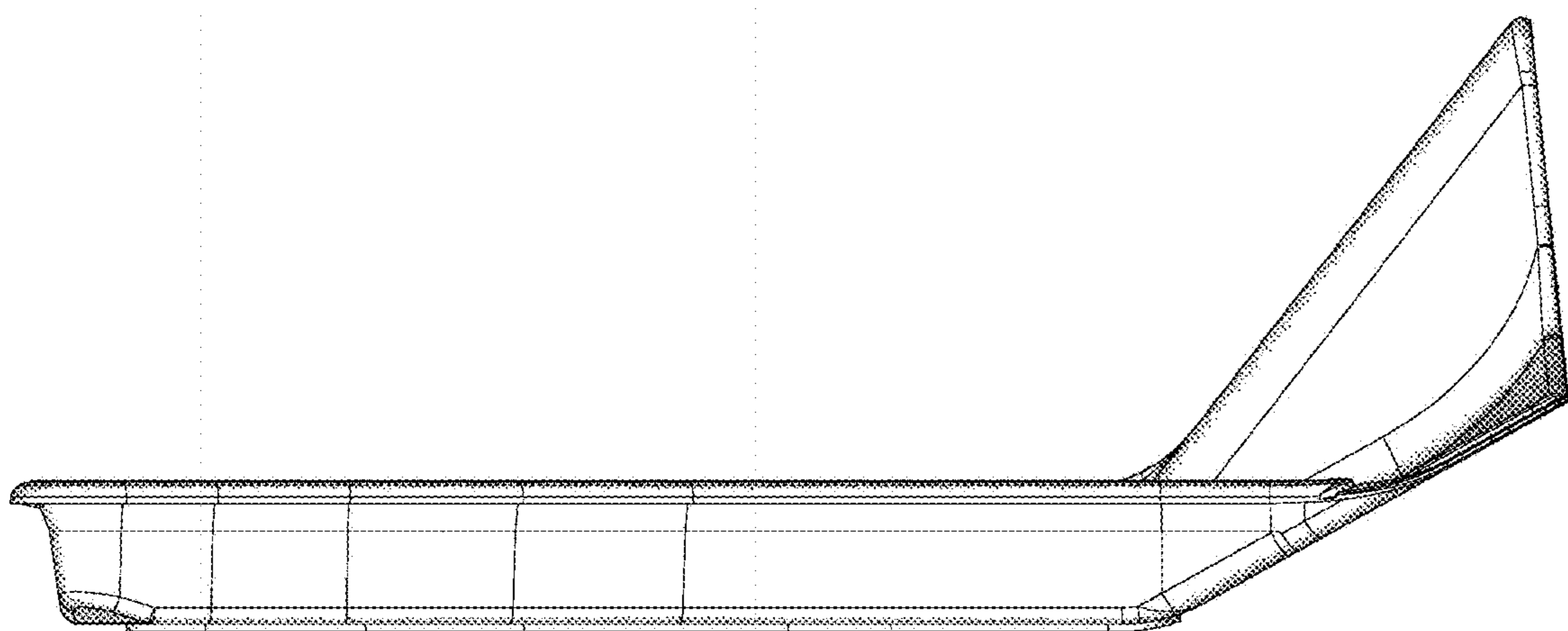


FIG. 5

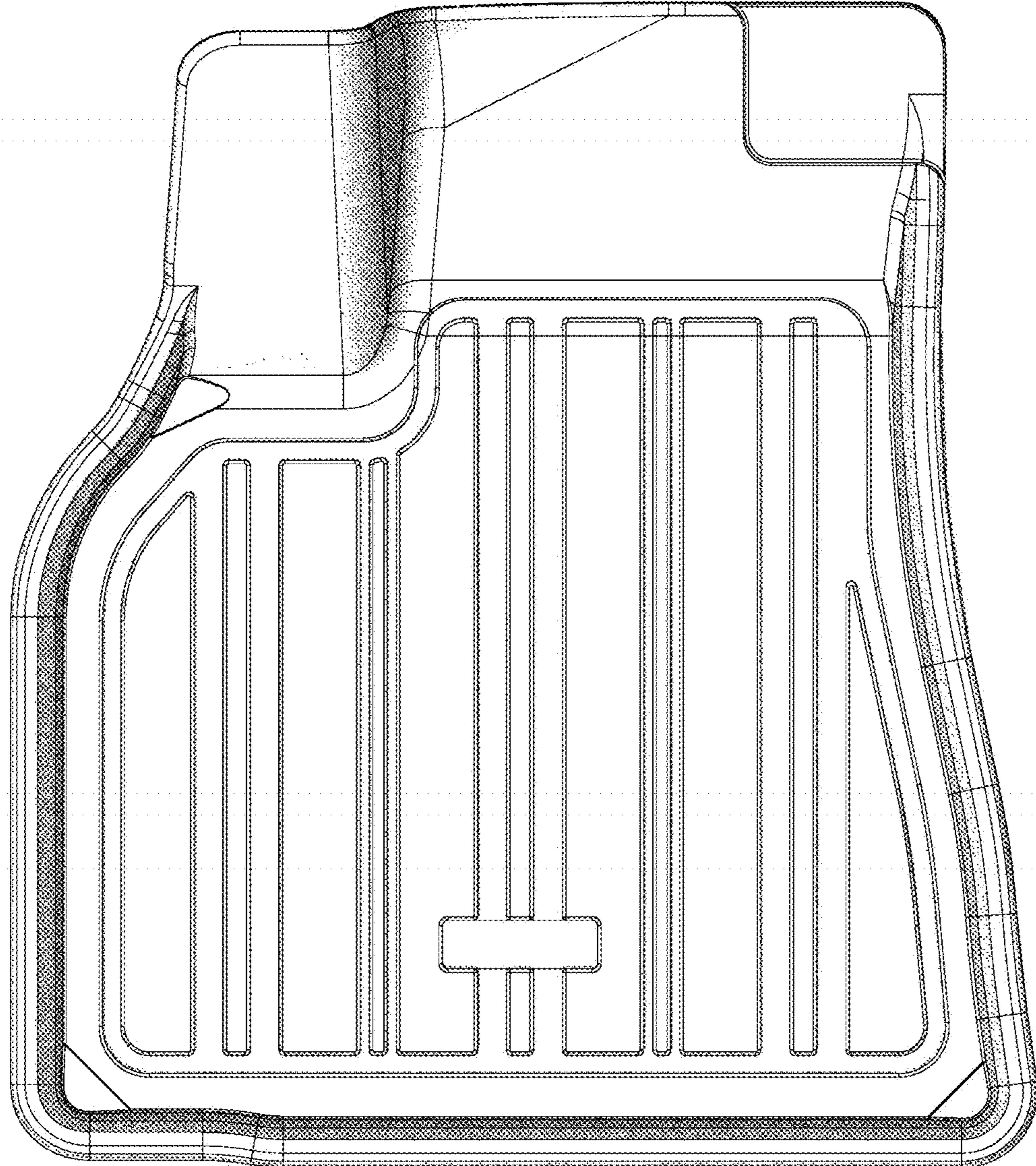


FIG. 6

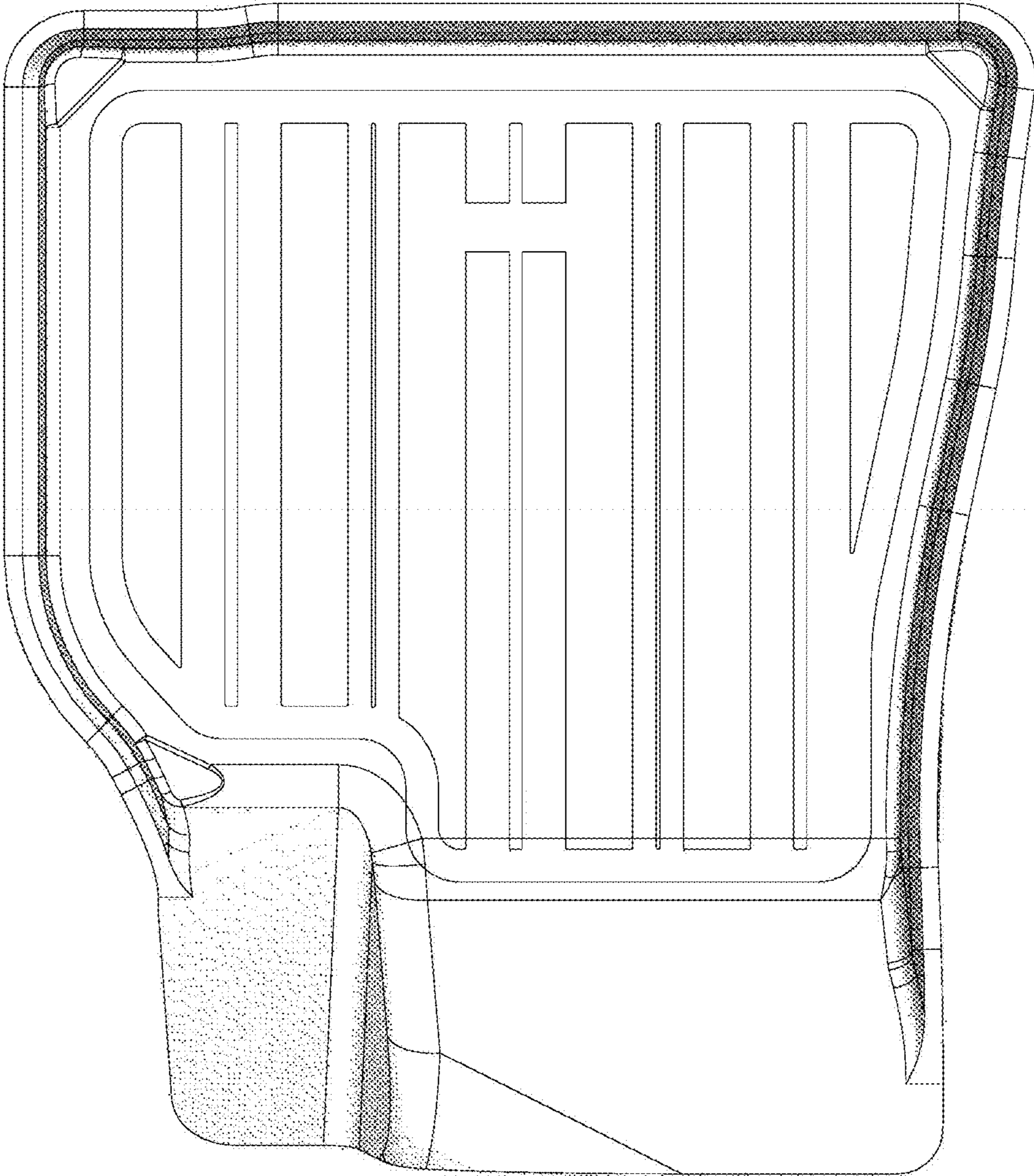


FIG. 7