



US00D943474S

(12) **United States Design Patent**
Crippa et al.

(10) **Patent No.:** **US D943,474 S**

(45) **Date of Patent:** **** Feb. 15, 2022**

(54) **DISC BRAKE CALIPER**

(71) Applicant: **Freni Brembo S.p.A.**, Curno (IT)

(72) Inventors: **Cristian Crippa**, Curno (IT); **Mirko Castellana**, Curno (IT)

(73) Assignee: **Freni Brembo S.p.A.**, Bergamo (IT)

(**) Term: **15 Years**

(21) Appl. No.: **29/702,030**

(22) Filed: **Aug. 16, 2019**

(30) **Foreign Application Priority Data**

Feb. 18, 2019 (IT) 402019000000299

(51) **LOC (13) Cl.** **12-16**

(52) **U.S. Cl.**
USPC **D12/180**

(58) **Field of Classification Search**

USPC D12/123, 160, 179, 180
CPC F16D 55/22; F16D 55/225; F16D 55/226;
F16D 55/227; F16D 55/228; F16D
65/0068; F16D 65/18; F16D 65/183;
F16D 65/58; F16D 65/092; F16D 65/12;
F16D 65/068; F16D 65/0975; F16D
2055/0016; B60T 1/065; B60T 13/588
See application file for complete search history.

(56) **References Cited**

U.S. PATENT DOCUMENTS

D785,520 S * 5/2017 Bonetti D12/180
D790,417 S * 6/2017 Bertone D12/180
D805,012 S * 12/2017 Crippa D12/180
D813,125 S * 3/2018 Crippa D12/180
D816,002 S * 4/2018 Crippa D12/180

D831,551 S * 10/2018 Wilson D12/190
D840,301 S * 2/2019 Bonetti D12/180
D842,782 S * 3/2019 Verdelli D12/180
D894,065 S * 8/2020 Wilson D12/180
2004/0216967 A1 * 11/2004 Veneziano F16D 55/228
188/72.5
2007/0278049 A1 * 12/2007 Kobayashi F16D 55/228
188/73.39
2015/0122597 A1 * 5/2015 Shimamura F16D 65/092
188/72.4
2016/0208872 A1 * 7/2016 Morio F16D 55/228

* cited by examiner

Primary Examiner — Susan E Krakower

Assistant Examiner — Jerry Shiuang-Hua Hsu

(74) *Attorney, Agent, or Firm* — Marshall & Melhorn, LLC

(57) **CLAIM**

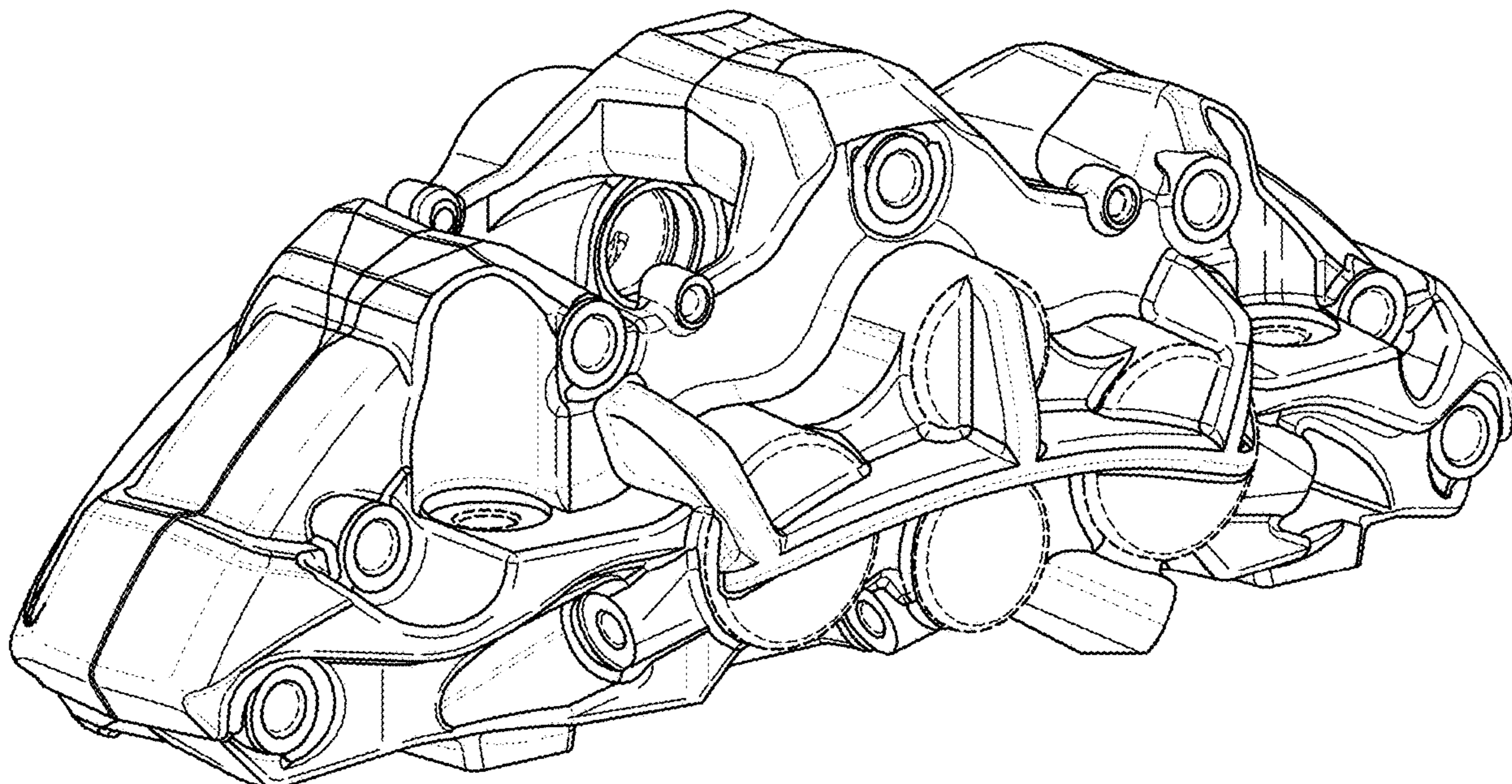
The ornamental design for a disc brake caliper, as shown and described.

DESCRIPTION

FIG. 1 is a top, front, right perspective view of a disc brake caliper, showing our new design;
FIG. 2 is top, front, left perspective view thereof;
FIG. 3 is a top, rear, left perspective view thereof;
FIG. 4 is is a top, rear, right, perspective view thereof;
FIG. 5 is a right side elevation view thereof;
FIG. 6 is is a left side elevation view thereof;
FIG. 7 is a rear elevation view thereof;
FIG. 8 is a front elevation view thereof; and,
FIG. 9 is a top plan view thereof.

The broken lines in the drawings are included to show portions of the disc brake caliper that form no part of the claimed design.

1 Claim, 9 Drawing Sheets



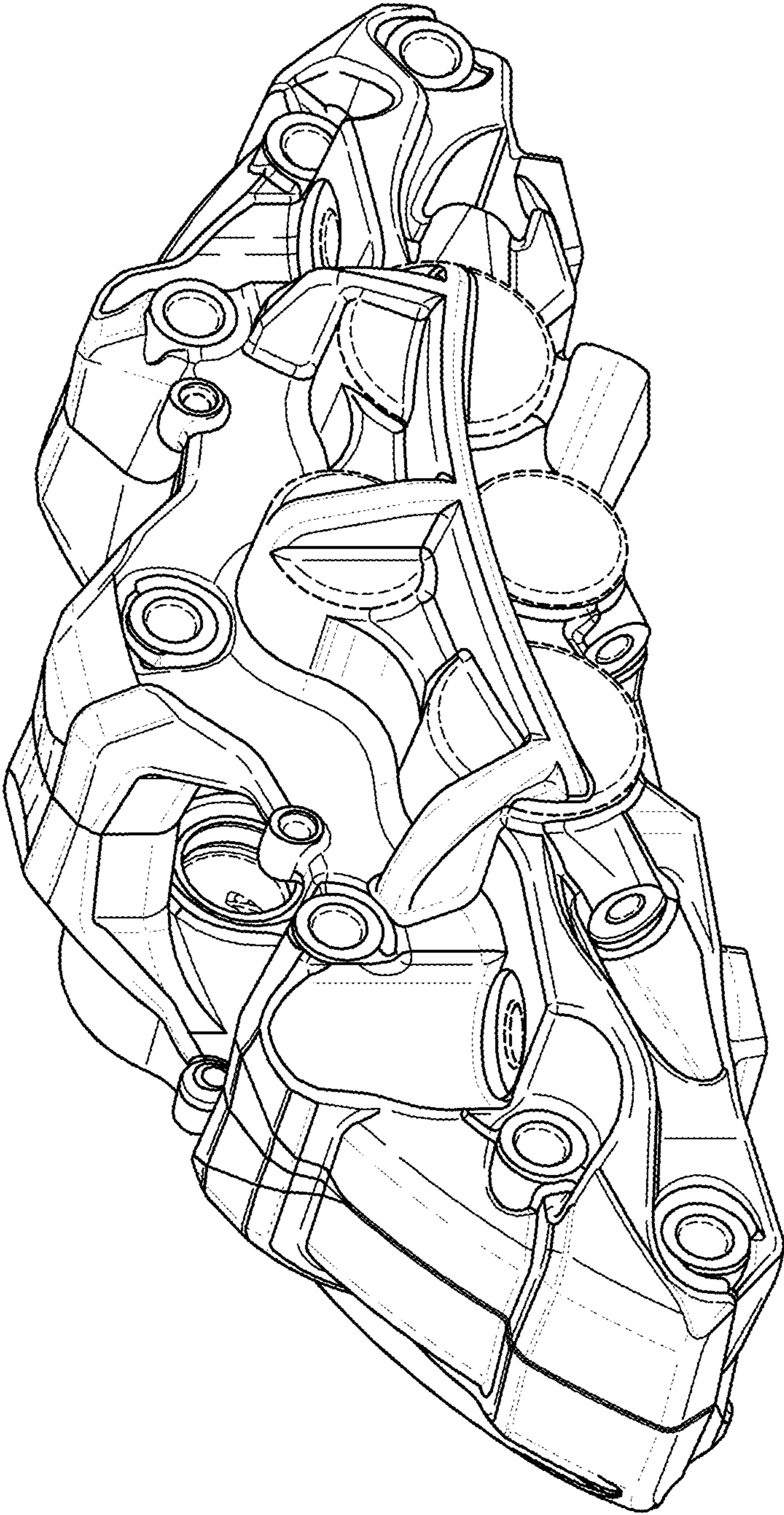


FIG. 1

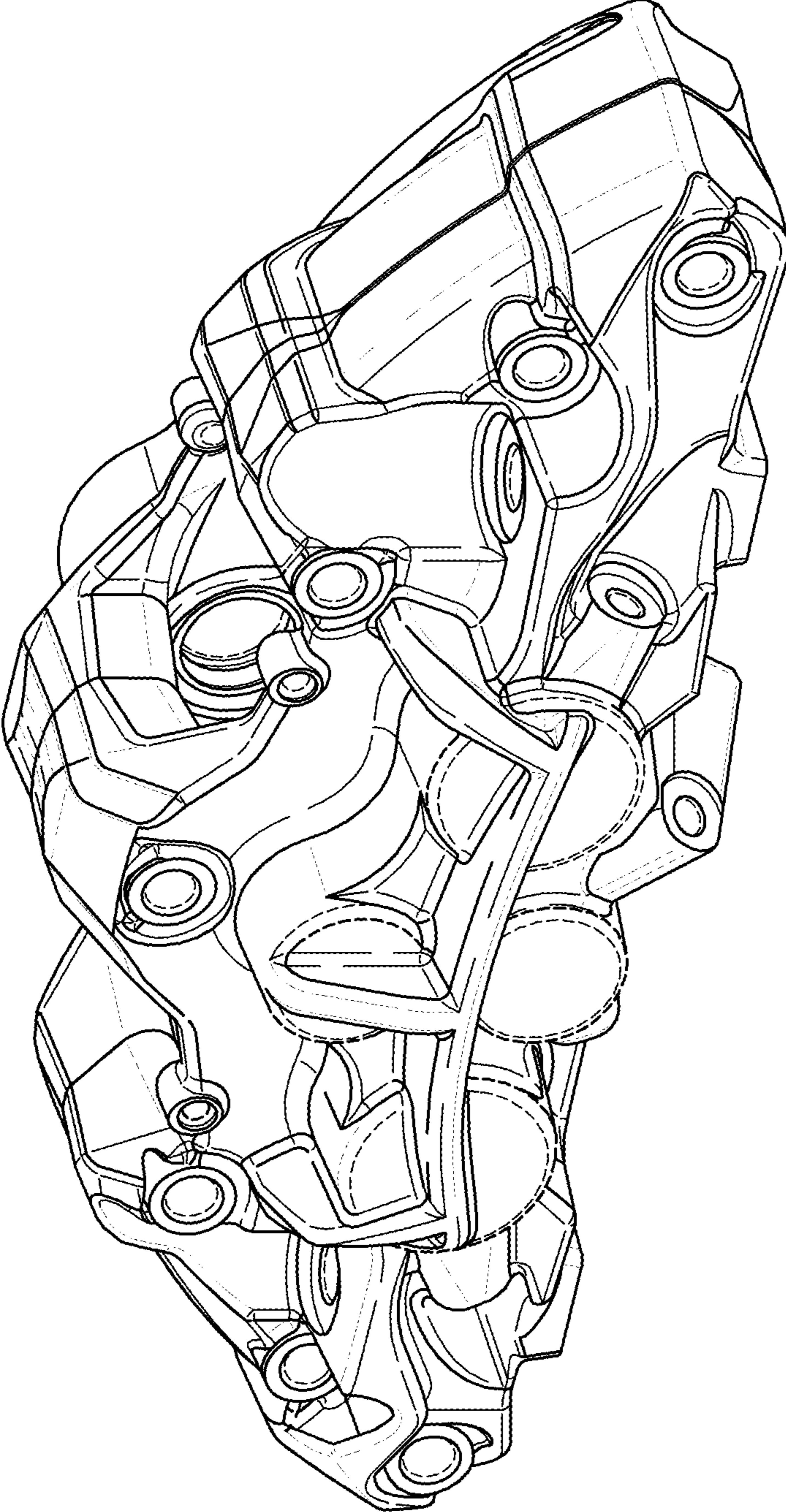


FIG. 2

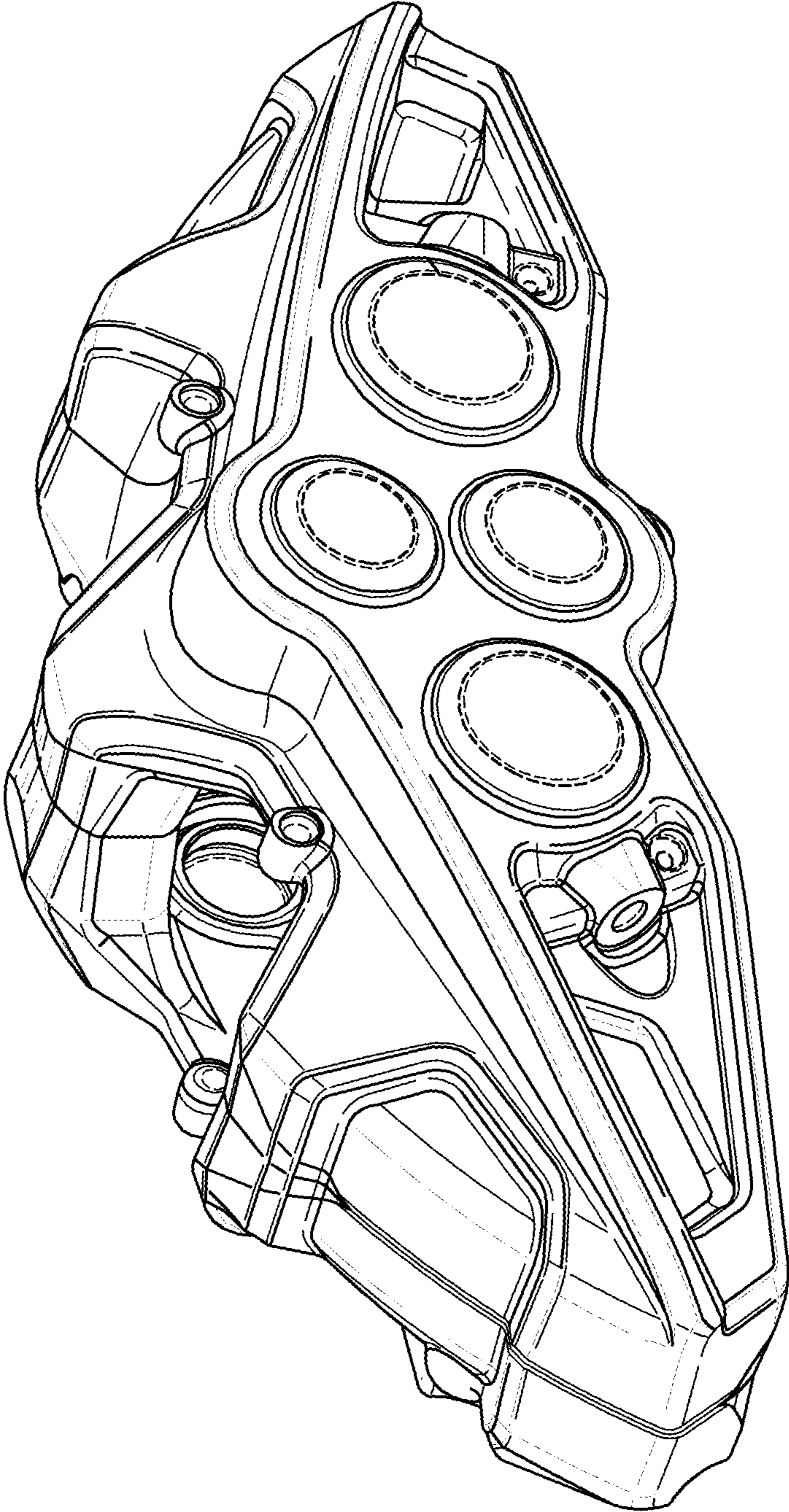


FIG. 3

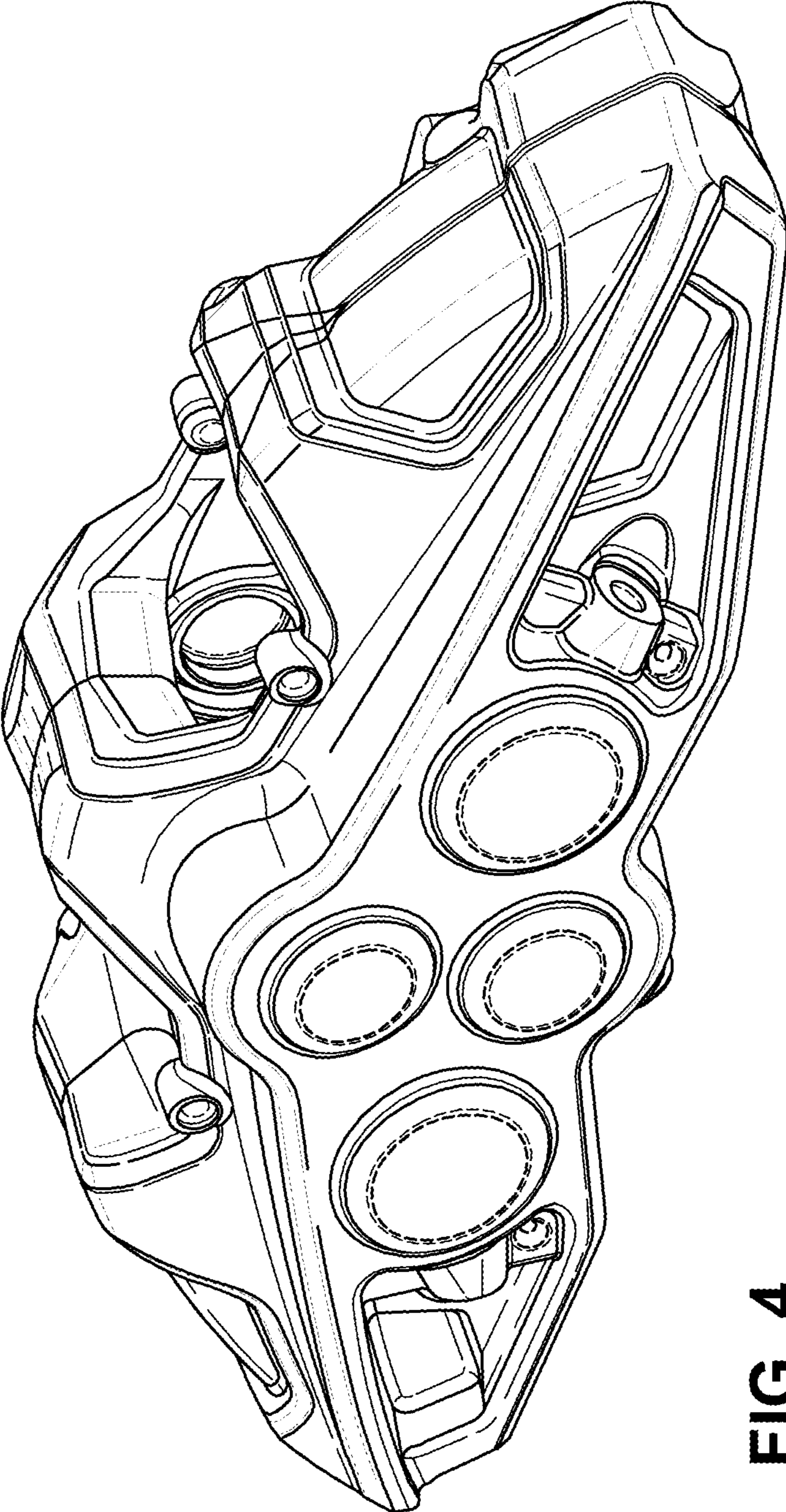


FIG. 4

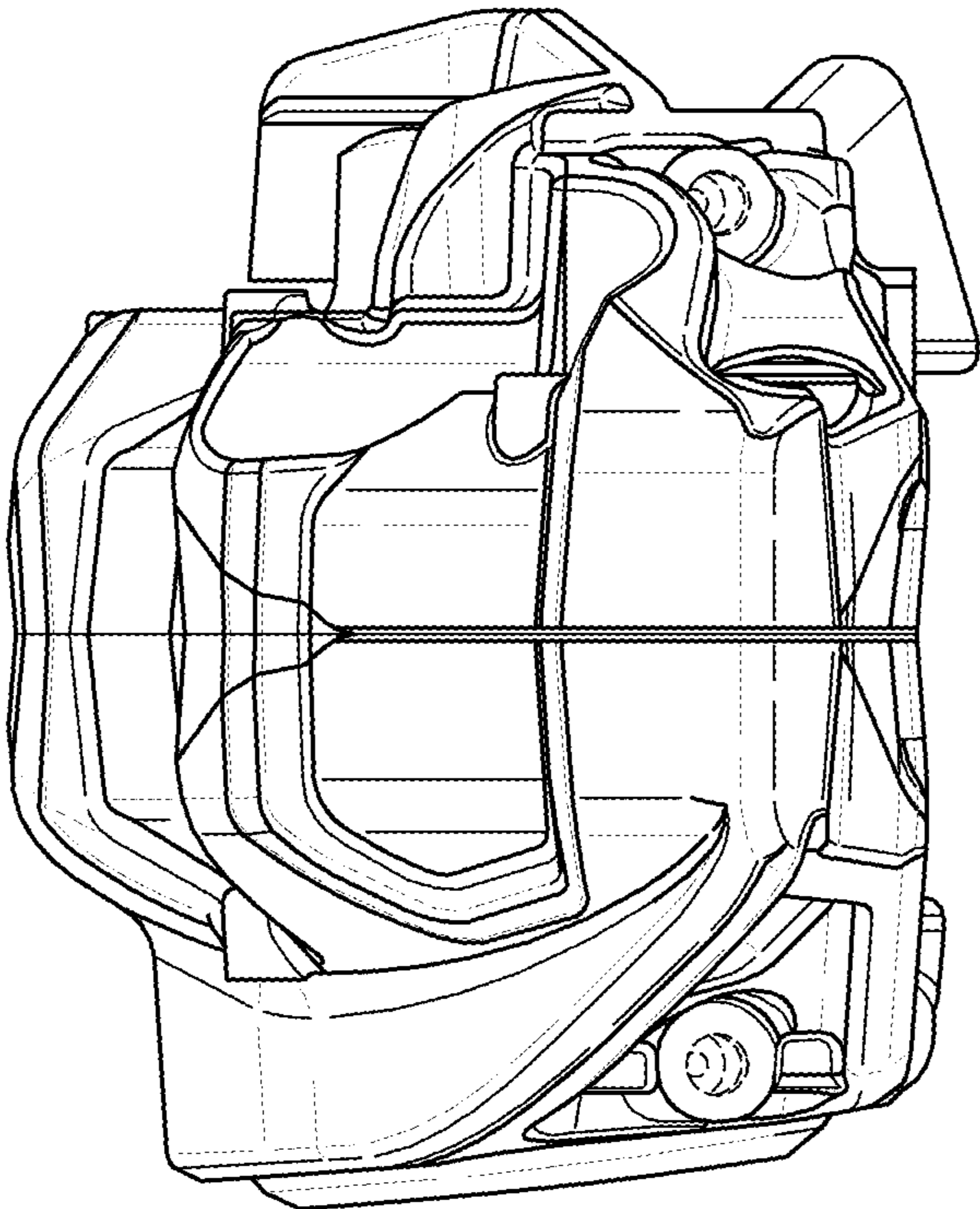


FIG. 5

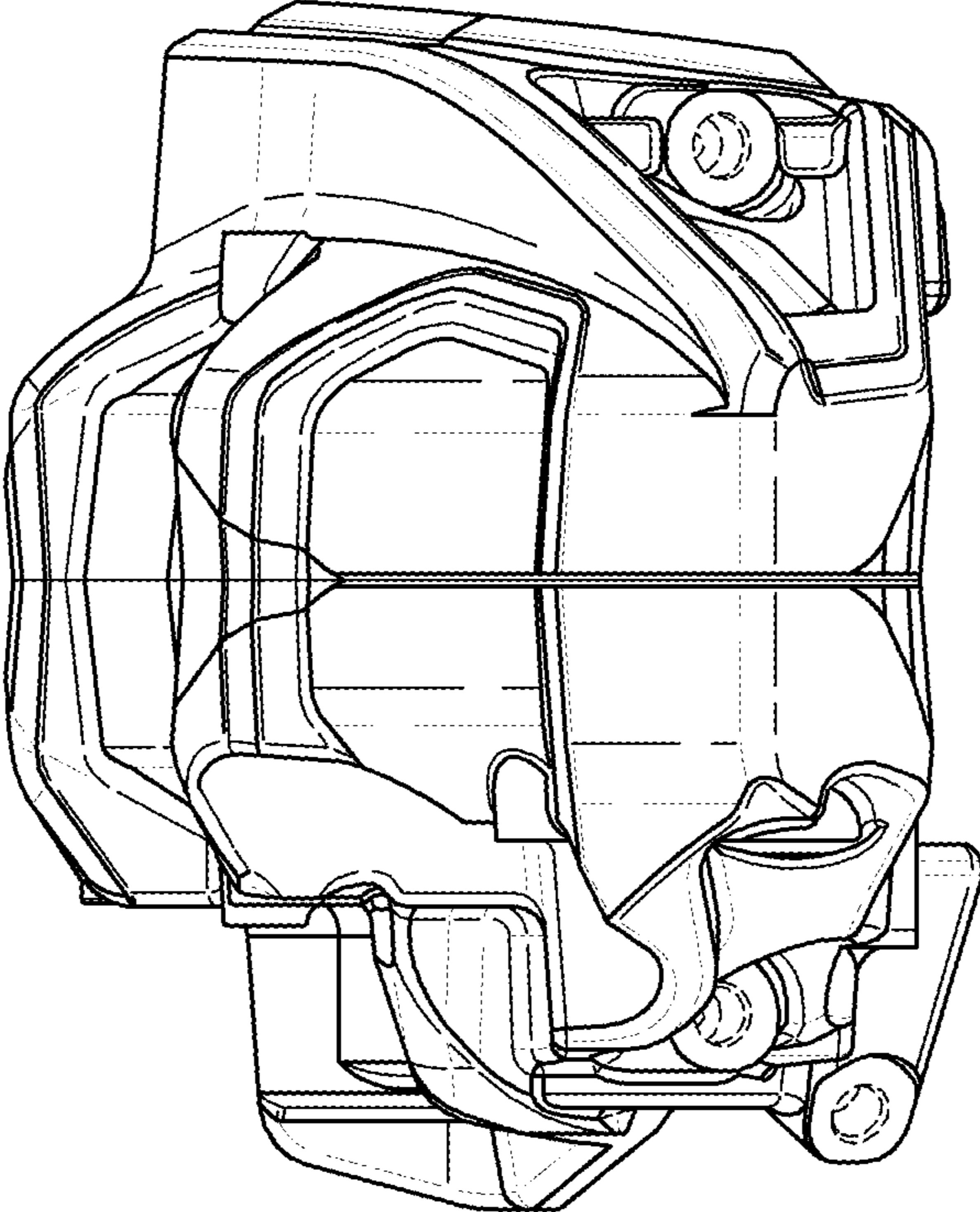


FIG. 6

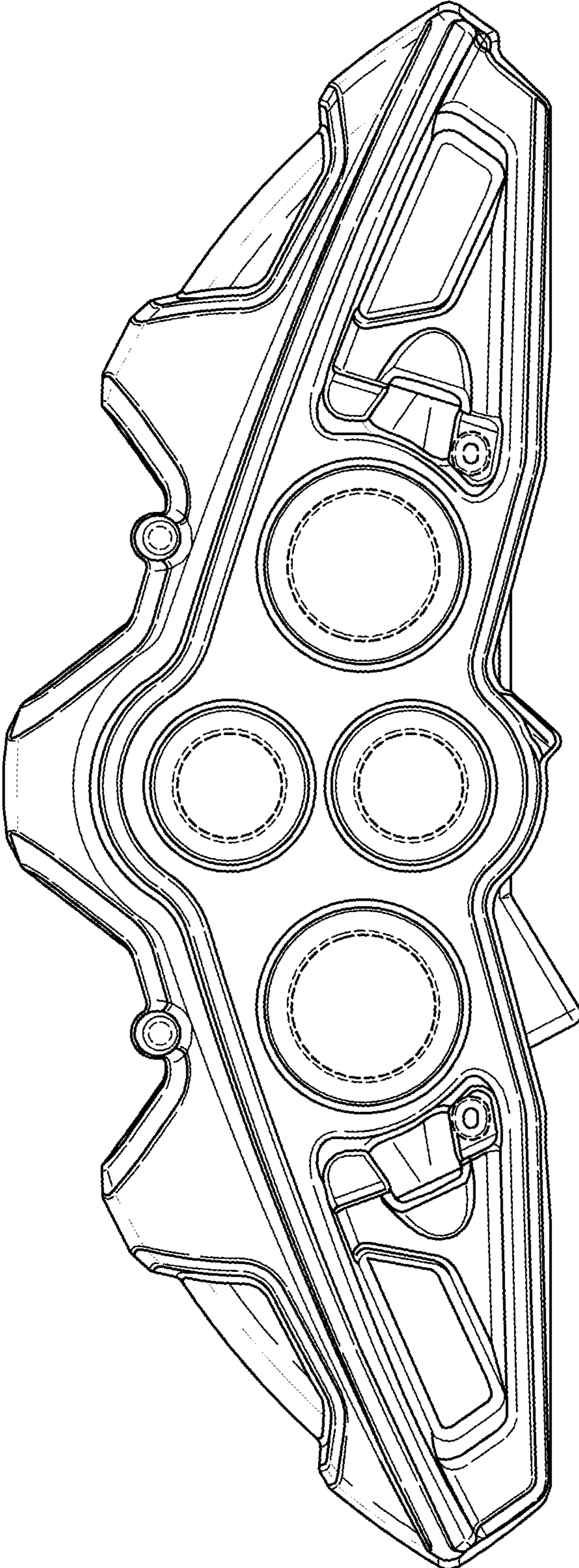


FIG. 7

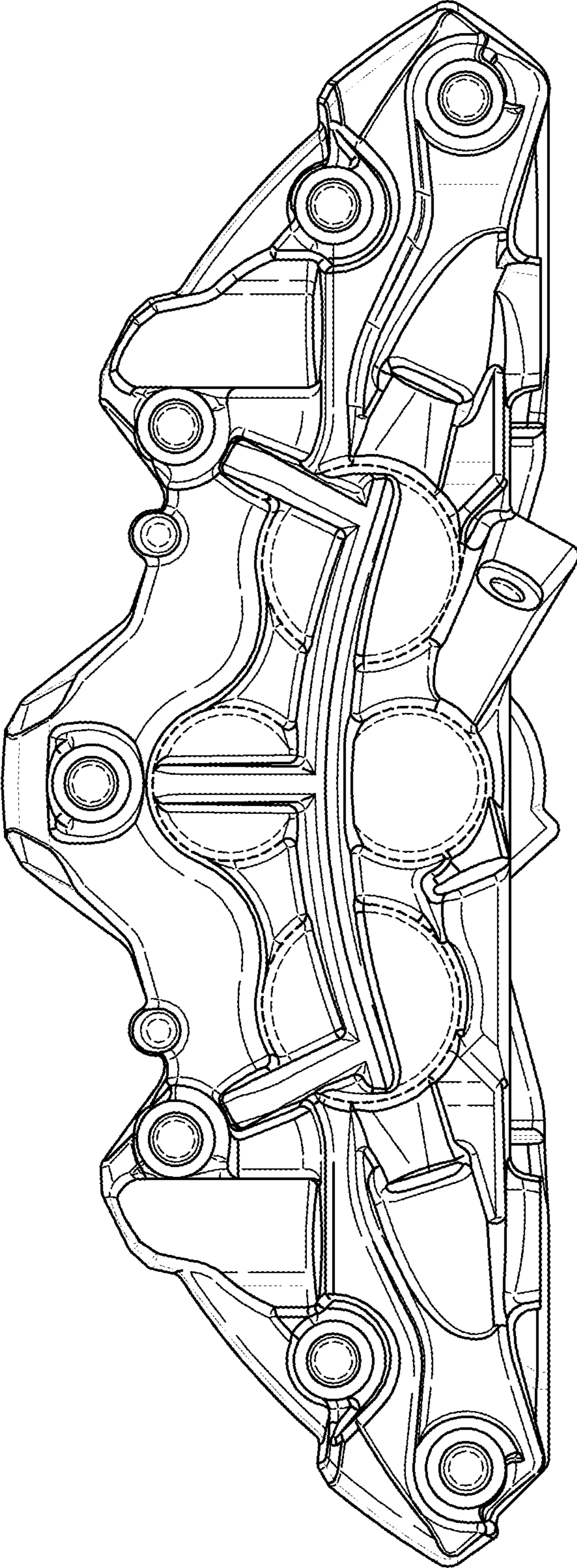


FIG. 8

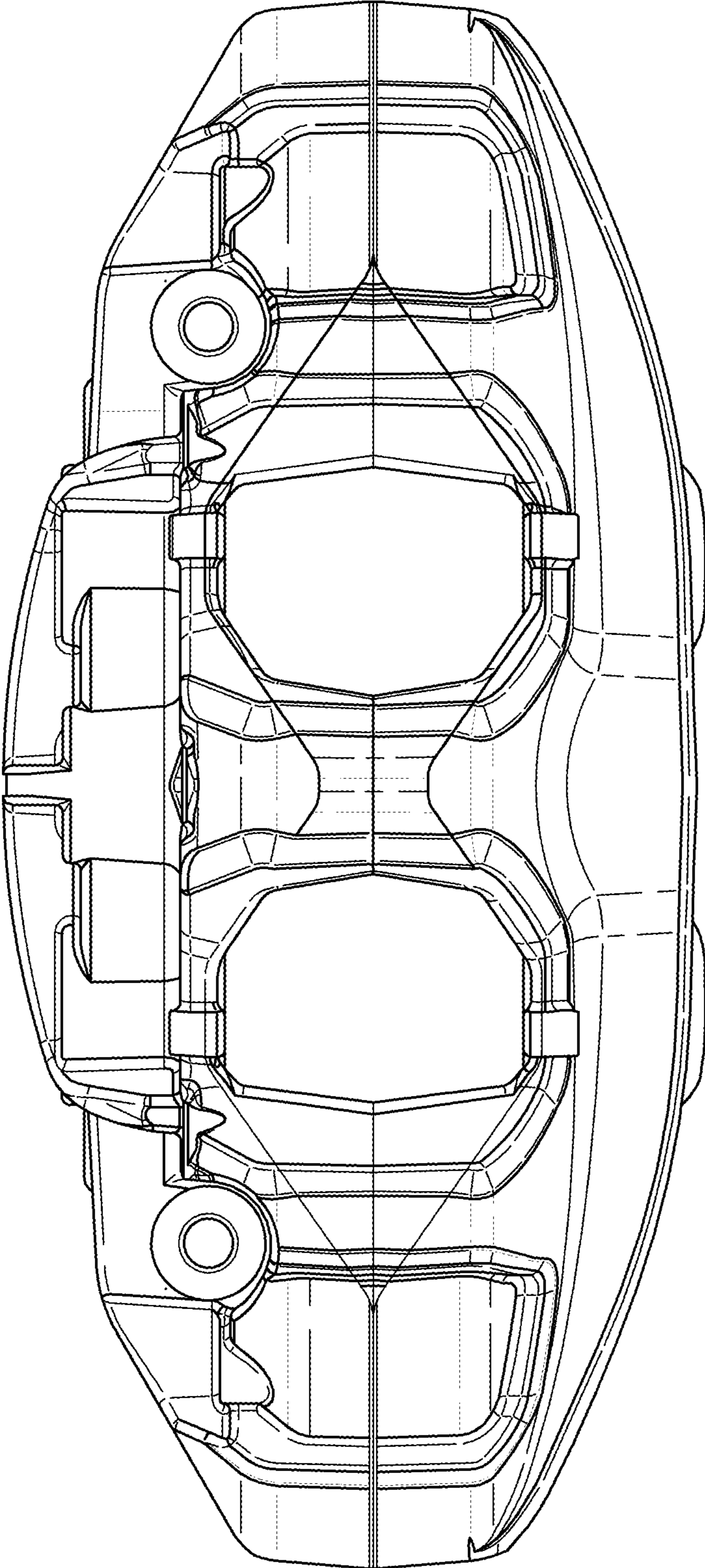


FIG. 9