



US00D943468S

(12) **United States Design Patent**
Wang

(10) **Patent No.:** **US D943,468 S**

(45) **Date of Patent:** **** Feb. 15, 2022**

(54) **TRAILER HITCH BALL MOUNT WITH LOCKING MECHANISM**

(71) Applicant: **FORCOME (ZHEJIANG) CO., LTD.**,
Jinhua (CN)

(72) Inventor: **Jiancheng Wang**, Jinhua (CN)

(73) Assignee: **FORCOME (ZHEJIANG) CO., LTD.**,
Jinhua (CN)

(**) Term: **15 Years**

(21) Appl. No.: **29/751,275**

(22) Filed: **Sep. 19, 2020**

(51) **LOC (13) Cl.** **12-16**

(52) **U.S. Cl.**
USPC **D12/162**

(58) **Field of Classification Search**
USPC D12/159-162
CPC . B60D 1/60; B60D 1/065; B60D 1/00; B60D
1/06; B60D 1/36; B62D 33/033
See application file for complete search history.

(56) **References Cited**

U.S. PATENT DOCUMENTS

D687,353 S *	8/2013	Dunn	D12/162
D709,805 S *	7/2014	Hill	D12/162
D834,464 S *	11/2018	Cincunegui	D12/162
D841,526 S *	2/2019	Siegel	D12/162
D894,800 S *	9/2020	Noel	D12/162
D897,245 S *	9/2020	Borkholder	D12/162

D907,537 S *	1/2021	Goodner	D12/162
D909,922 S *	2/2021	Siegel	D12/162
D918,787 S *	5/2021	Cotter	D12/162
D922,914 S *	6/2021	Works	B60R 9/06 D12/162
D926,088 S *	7/2021	Hart	D12/162
D932,385 S *	10/2021	Sablatura	B60R 9/06 D12/162
D934,744 S *	11/2021	Mueller	D12/162

* cited by examiner

Primary Examiner — Katrina A Betton

(74) *Attorney, Agent, or Firm* — SZDC Law P.C.

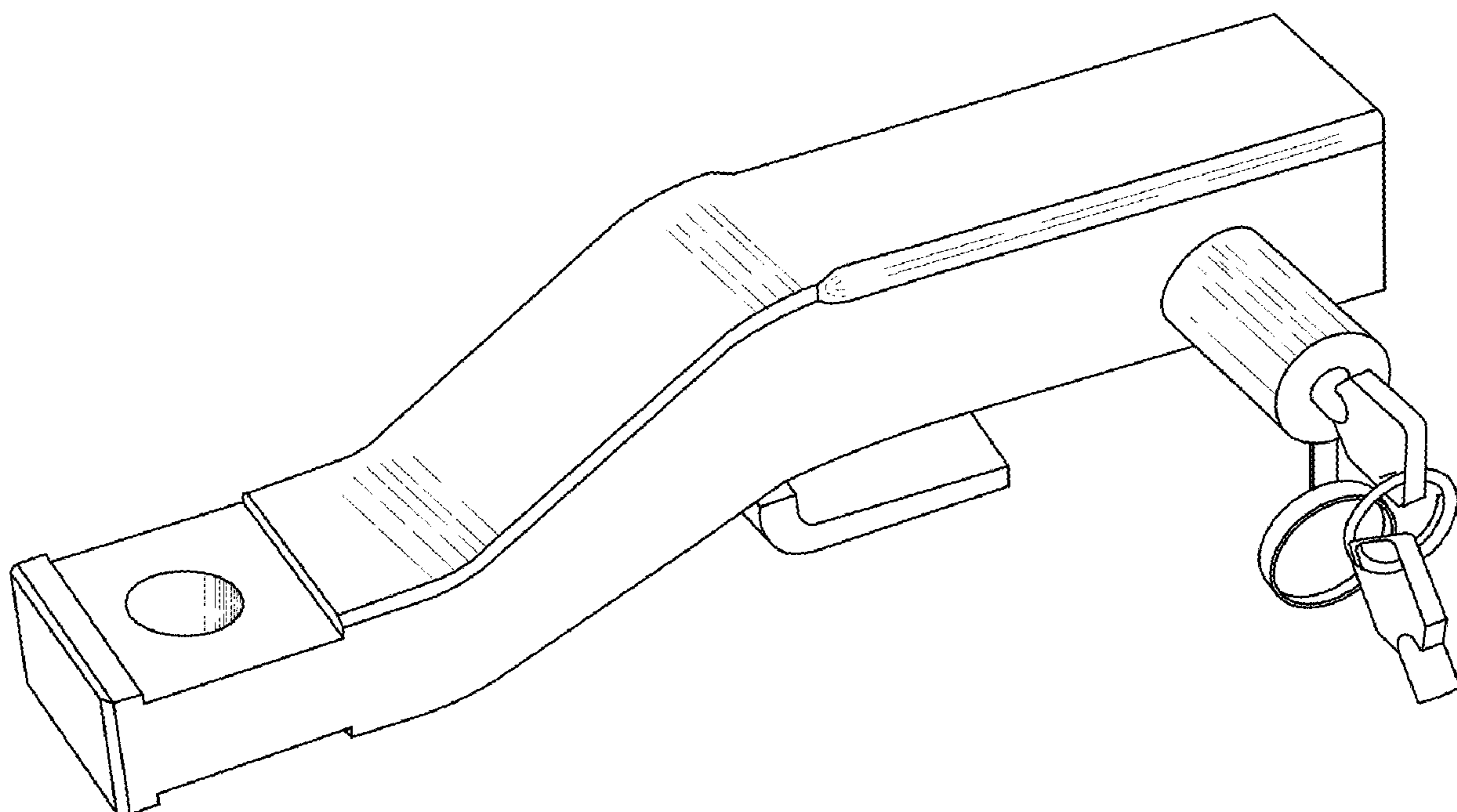
(57) **CLAIM**

The ornamental design for a trailer hitch ball mount with locking mechanism, as shown and described.

DESCRIPTION

FIG. 1 is a front top perspective view of the trailer hitch ball mount with locking mechanism;
FIG. 2 is a front top perspective view of the trailer hitch ball mount with locking mechanism inserted into a trailer hitch;
FIG. 3 is a front bottom perspective view of the trailer hitch ball mount with locking mechanism inserted into the trailer hitch;
FIG. 4 is a right view of the trailer hitch ball mount with locking mechanism inserted into the trailer hitch; and,
FIG. 5 is a left view of the trailer hitch ball mount with locking mechanism inserted into the trailer hitch.
The broken lines depict the trailer hitch that forms no part of the claimed design.

1 Claim, 5 Drawing Sheets



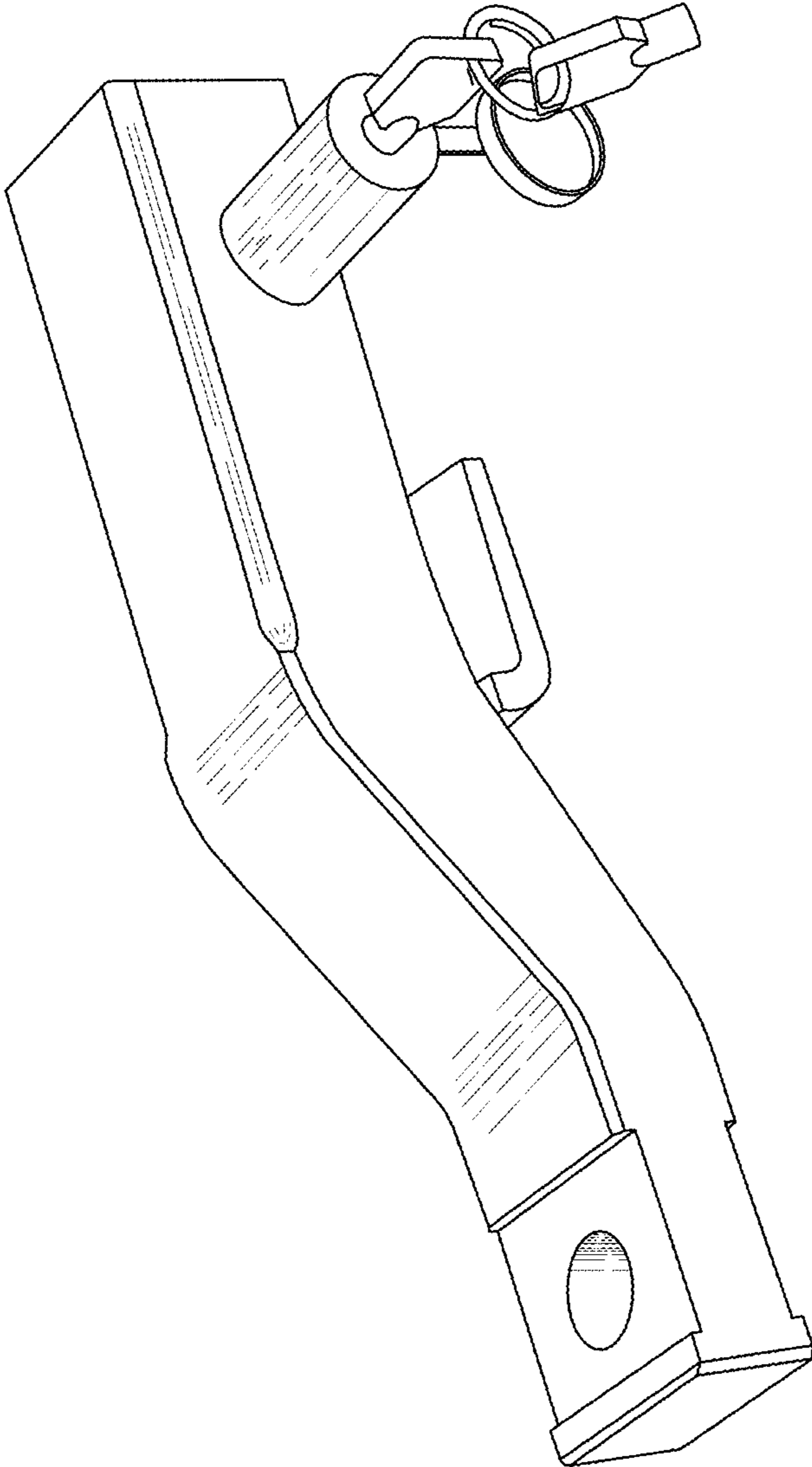


FIG. 1

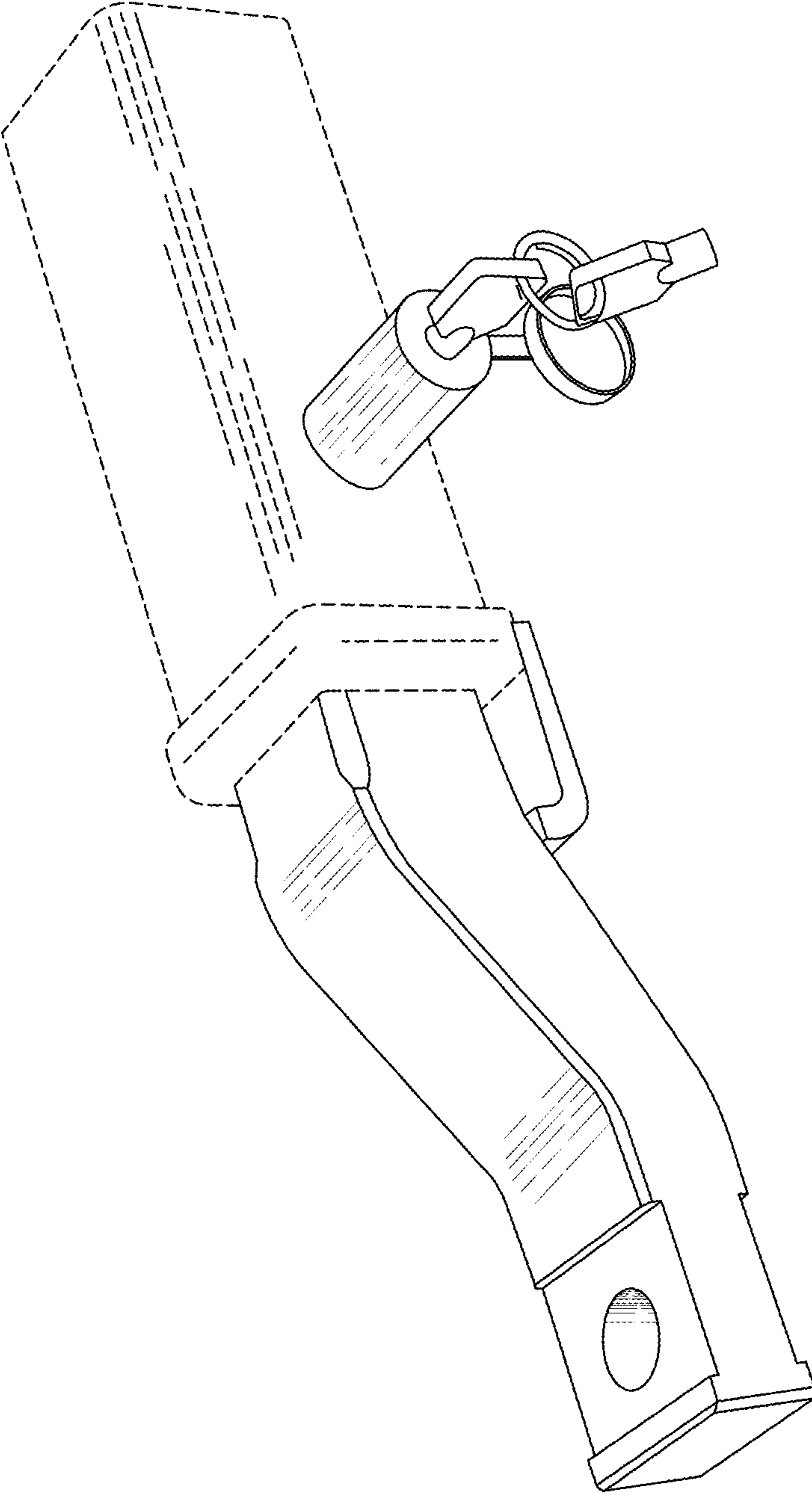


FIG. 2

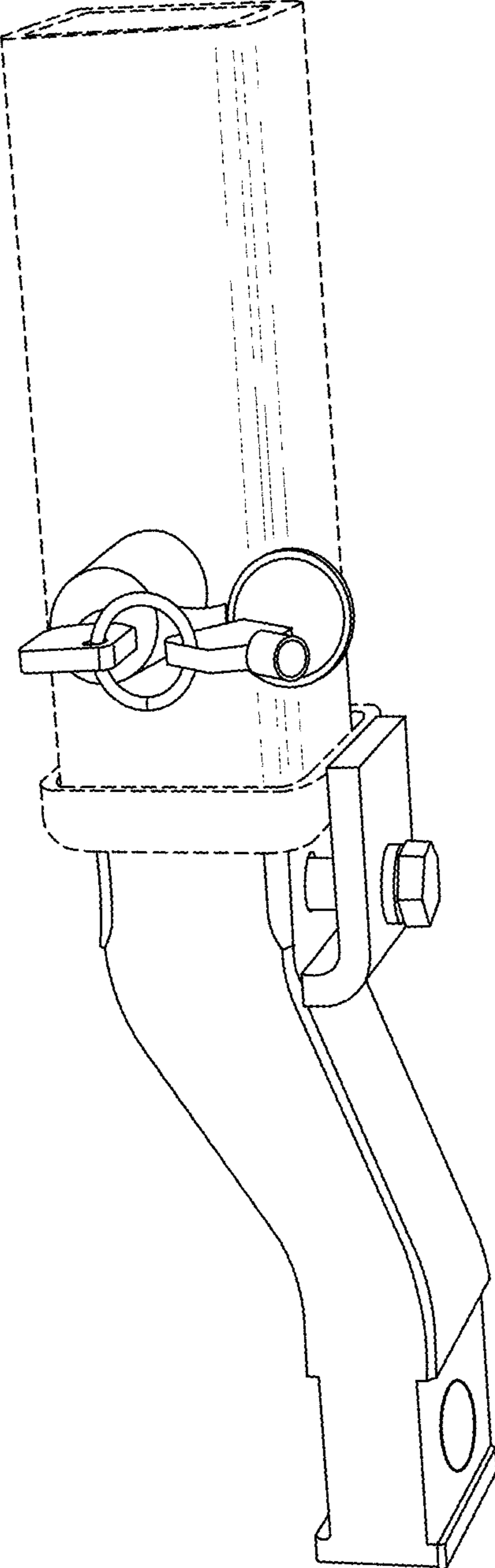


FIG. 3

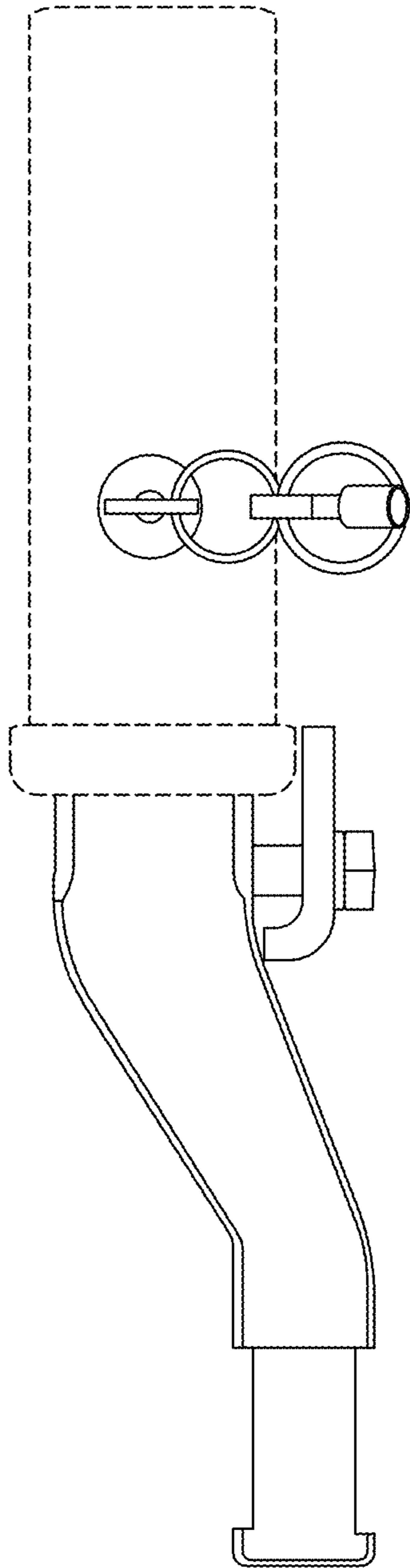


FIG. 4

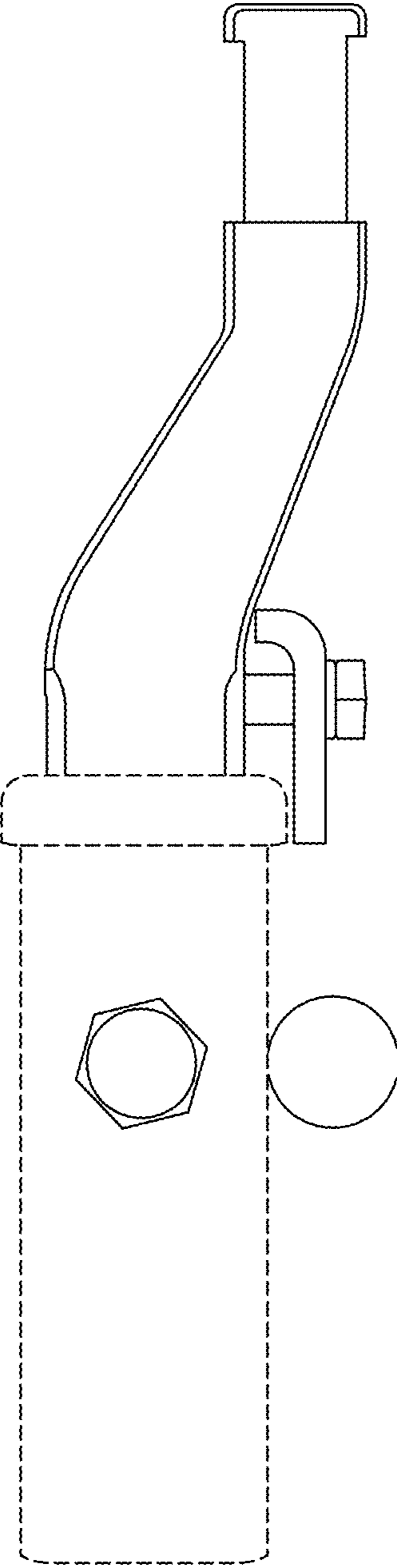


FIG. 5