



US00D943464S

(12) **United States Design Patent** (10) **Patent No.:** **US D943,464 S**
Pinghua (45) **Date of Patent:** **** Feb. 15, 2022**

(54) **THREE WHEEL ROLLATOR**

(71) Applicant: **Drive DeVilbiss Healthcare**, Port Washington, NY (US)

(72) Inventor: **Shi Pinghua**, Jiangyin (CN)

(73) Assignee: **Drive DeVilbiss Healthcare**, Port Washington, NY (US)

(**) Term: **15 Years**

(21) Appl. No.: **29/764,200**

(22) Filed: **Dec. 29, 2020**

(51) **LOC (13) Cl.** **12-12**

(52) **U.S. Cl.**
 USPC **D12/130**

(58) **Field of Classification Search**
 USPC D12/128, 129, 130, 131, 132, 133
 CPC A61H 3/00; A61H 3/04; A61H 2003/001;
 A61H 2003/002; A61H 2003/003; A61H
 2003/004; A61H 2003/005; A61H
 2003/006; A61H 2003/007; A61H
 2003/043; A61H 2003/046

See application file for complete search history.

2009/0045021 A1* 2/2009 Einbinder F16C 1/10
 188/2 D

2010/0140893 A1* 6/2010 Menefee A61H 3/04
 280/87.041

2012/0187661 A1* 7/2012 Kim A61H 3/04
 280/650

FOREIGN PATENT DOCUMENTS

GN 305522550 S 12/2019

OTHER PUBLICATIONS

Drive Medical Nitro 3, Published Mar. 5, 2021 [online], [retrieved on Dec. 4, 2021]. Retrieved from the Internet: <https://www.amazon.com/Drive-Medical-Euro-Style-Rollator-Walker/dp/B08YG5JTMP> (Year: 2021).*

* cited by examiner

Primary Examiner — Cary M Robinson

Assistant Examiner — Adam C Mager

(74) *Attorney, Agent, or Firm* — Carter, DeLuca & Farrell LLP

(57) **CLAIM**

The ornamental design for a three wheel rollator, as shown and described.

DESCRIPTION

FIG. 1 is a front, perspective view of a three wheel rollator in accordance with the present design;
 FIG. 2 is a front view thereof;
 FIG. 3 is a rear view thereof;
 FIG. 4 is a right side view thereof;
 FIG. 5 is a left side view thereof;
 FIG. 6 is a top view thereof; and,
 FIG. 7 is a bottom view thereof.

The broken lines shown in the drawings illustrate portions of the three wheel rollator that form no part of the claimed design.

1 Claim, 7 Drawing Sheets

(56) **References Cited**

U.S. PATENT DOCUMENTS

2,843,180 A * 7/1958 Schwartz A61H 3/04
 482/68

D281,771 S * 12/1985 Webb D12/130

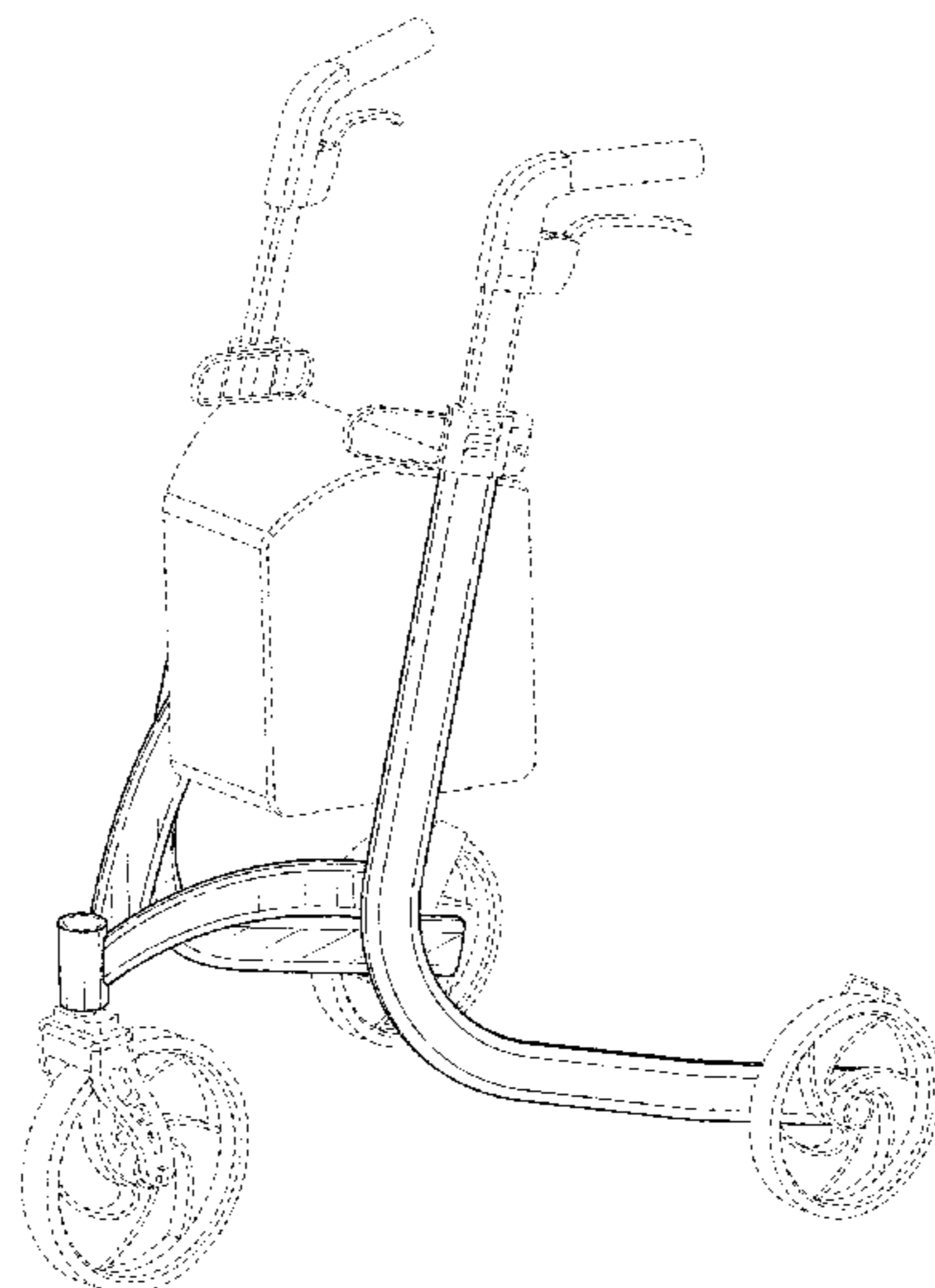
6,070,603 A * 6/2000 Politz A61H 3/04
 135/65

6,296,263 B1 * 10/2001 Schultz A61H 3/04
 135/67

7,708,120 B2 * 5/2010 Einbinder A61H 3/04
 188/31

8,881,852 B2 * 11/2014 Kim A61H 3/04
 180/65.1

10,470,966 B1 * 11/2019 Smith Swerdlow A61H 3/04



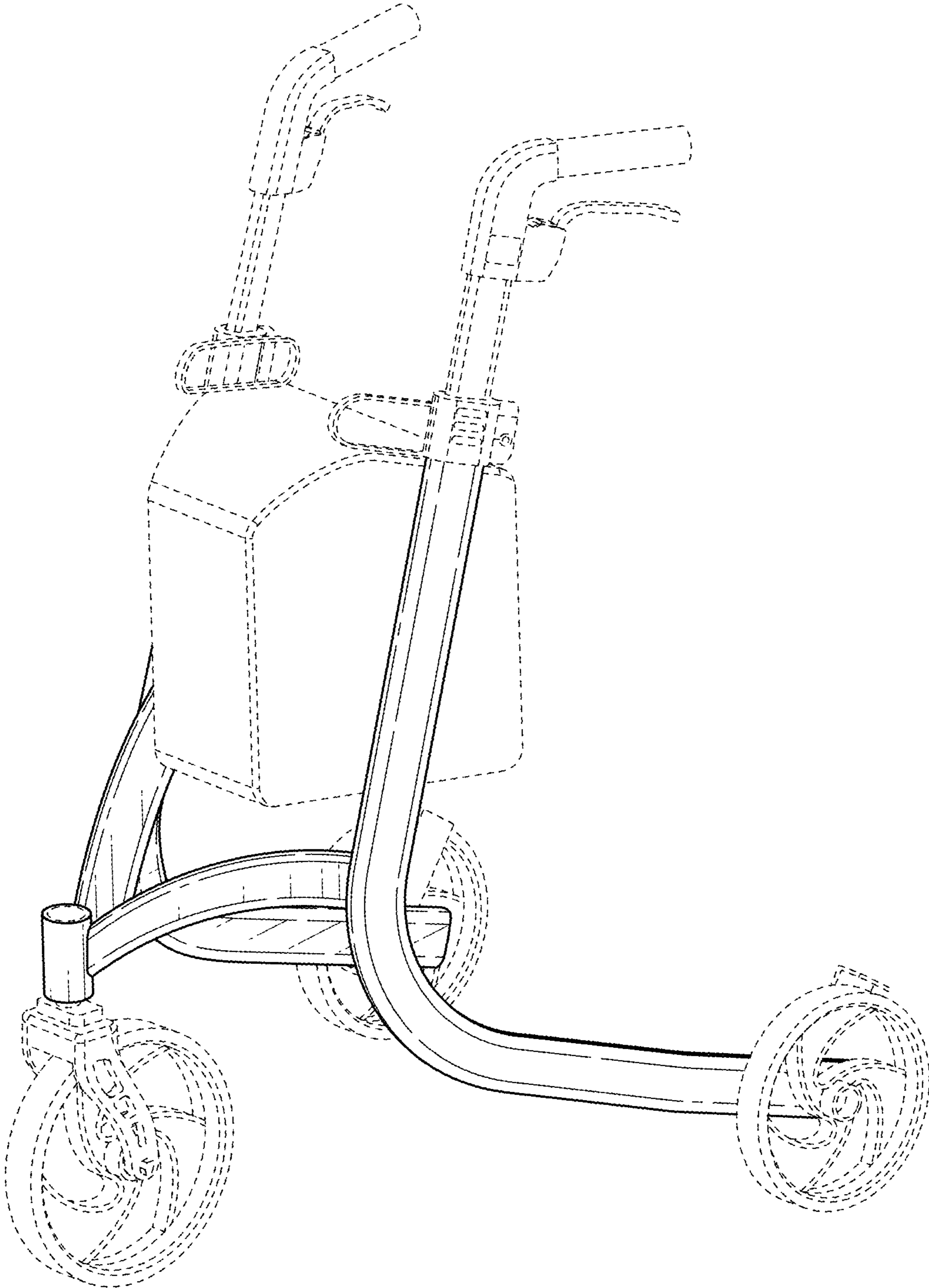


FIG. 1

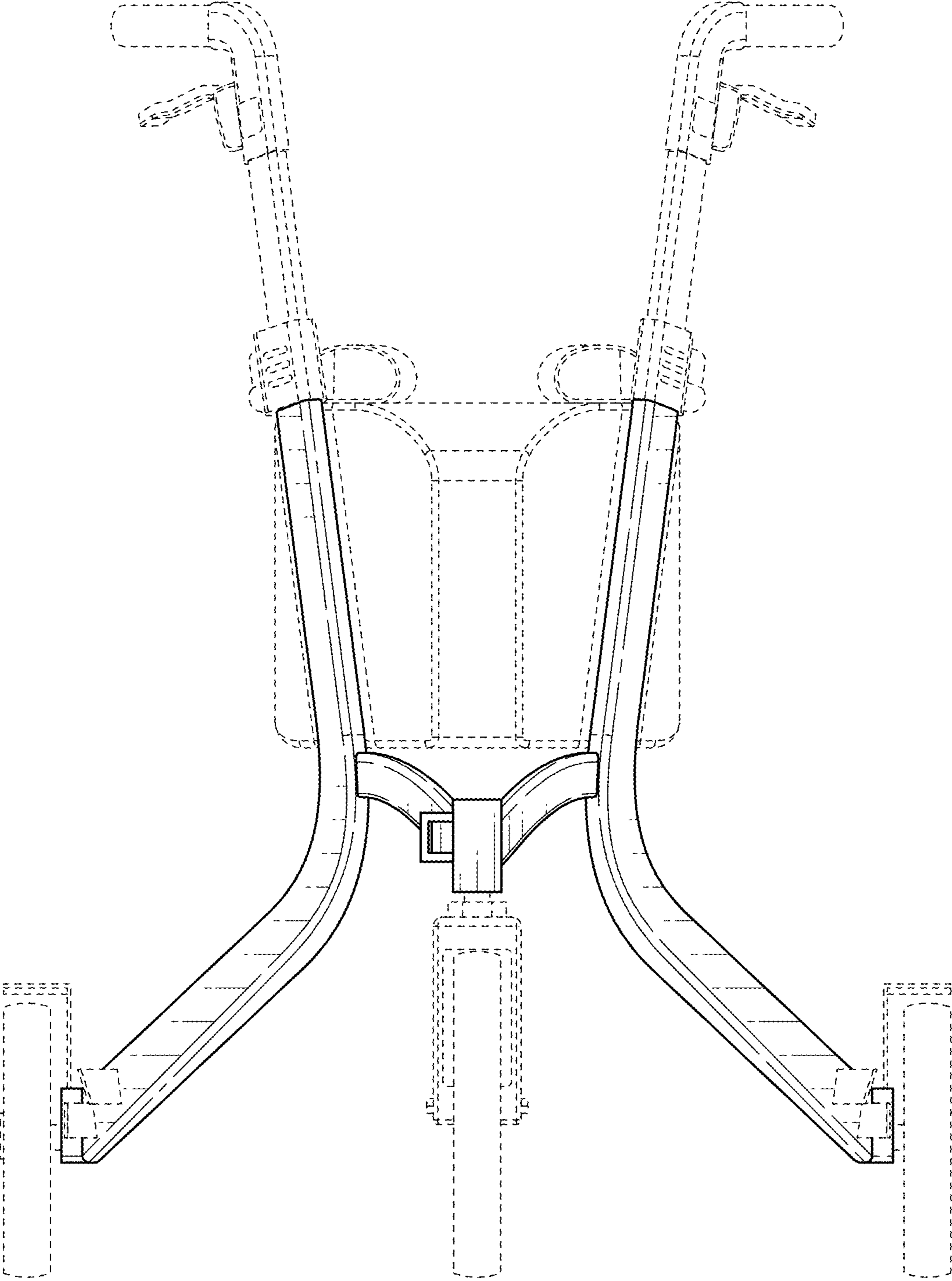


FIG. 2

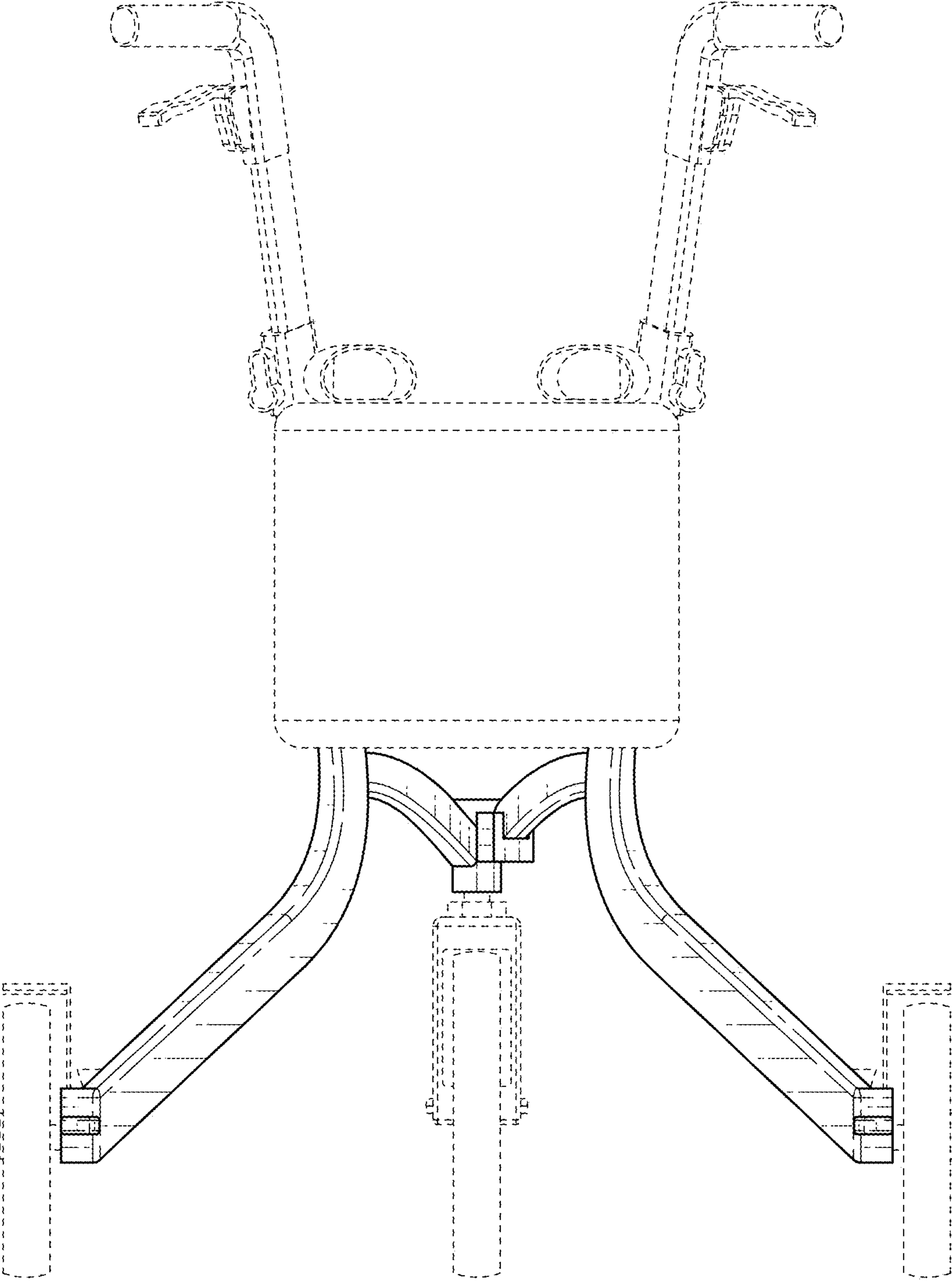


FIG. 3

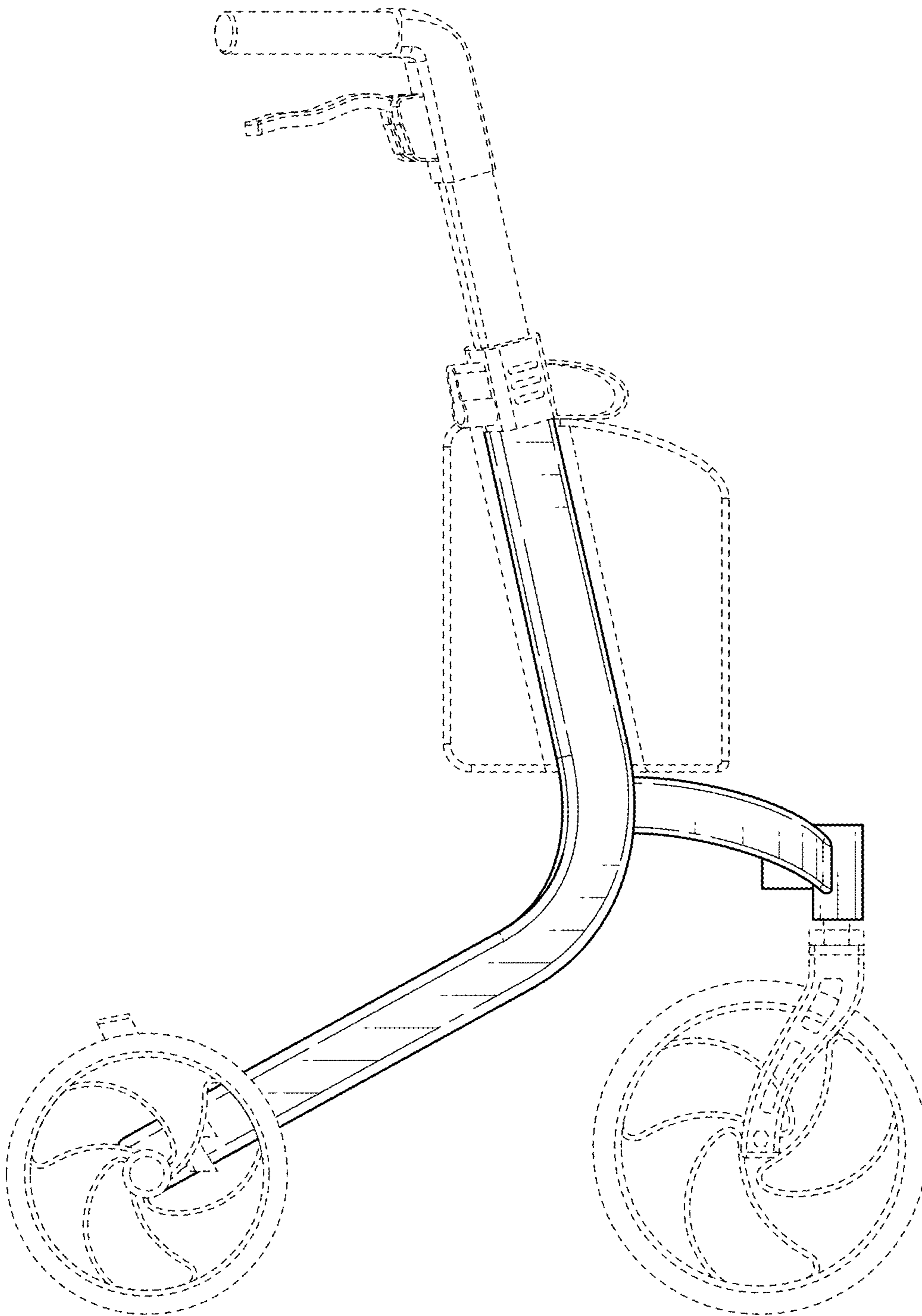


FIG. 4

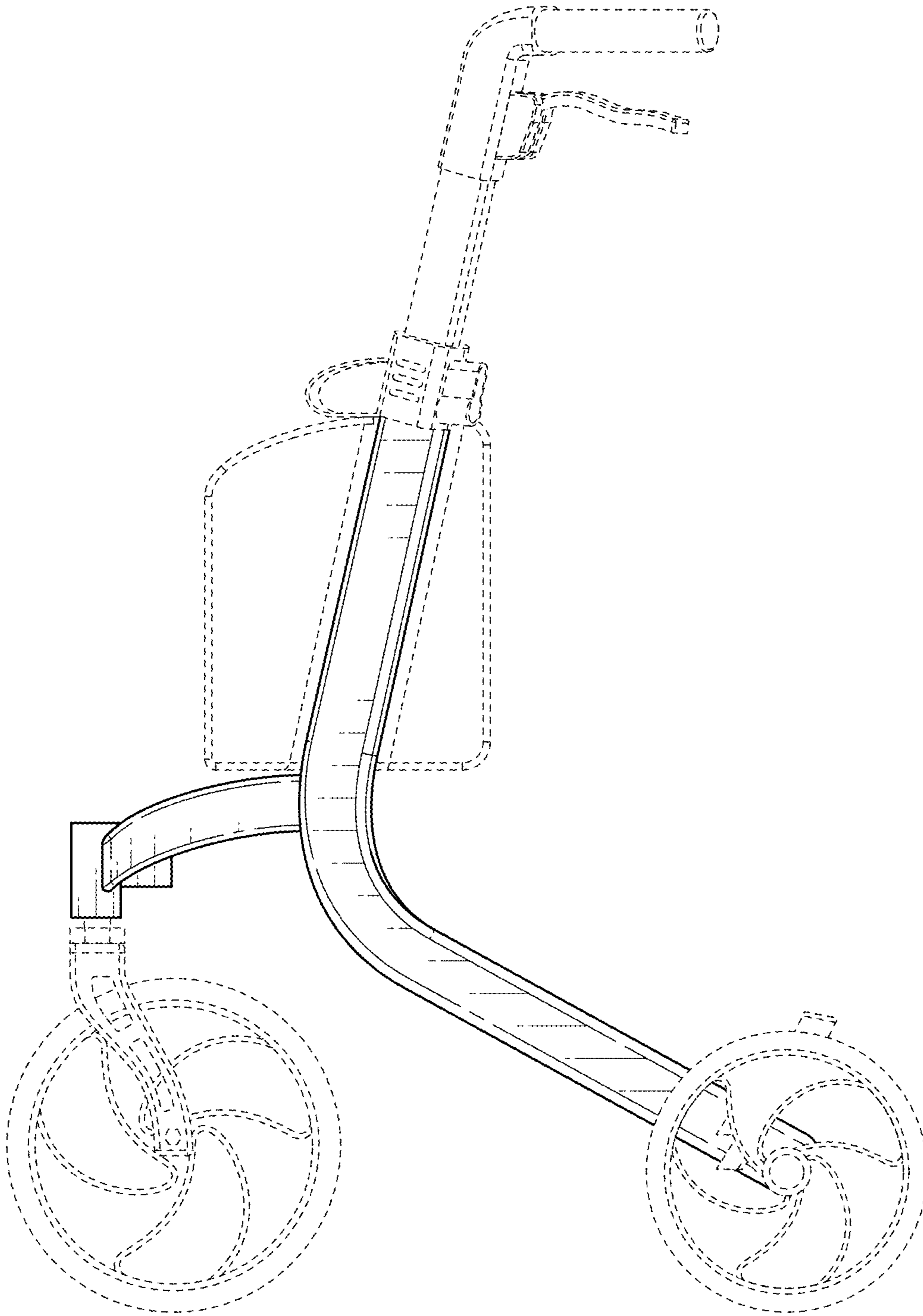


FIG. 5

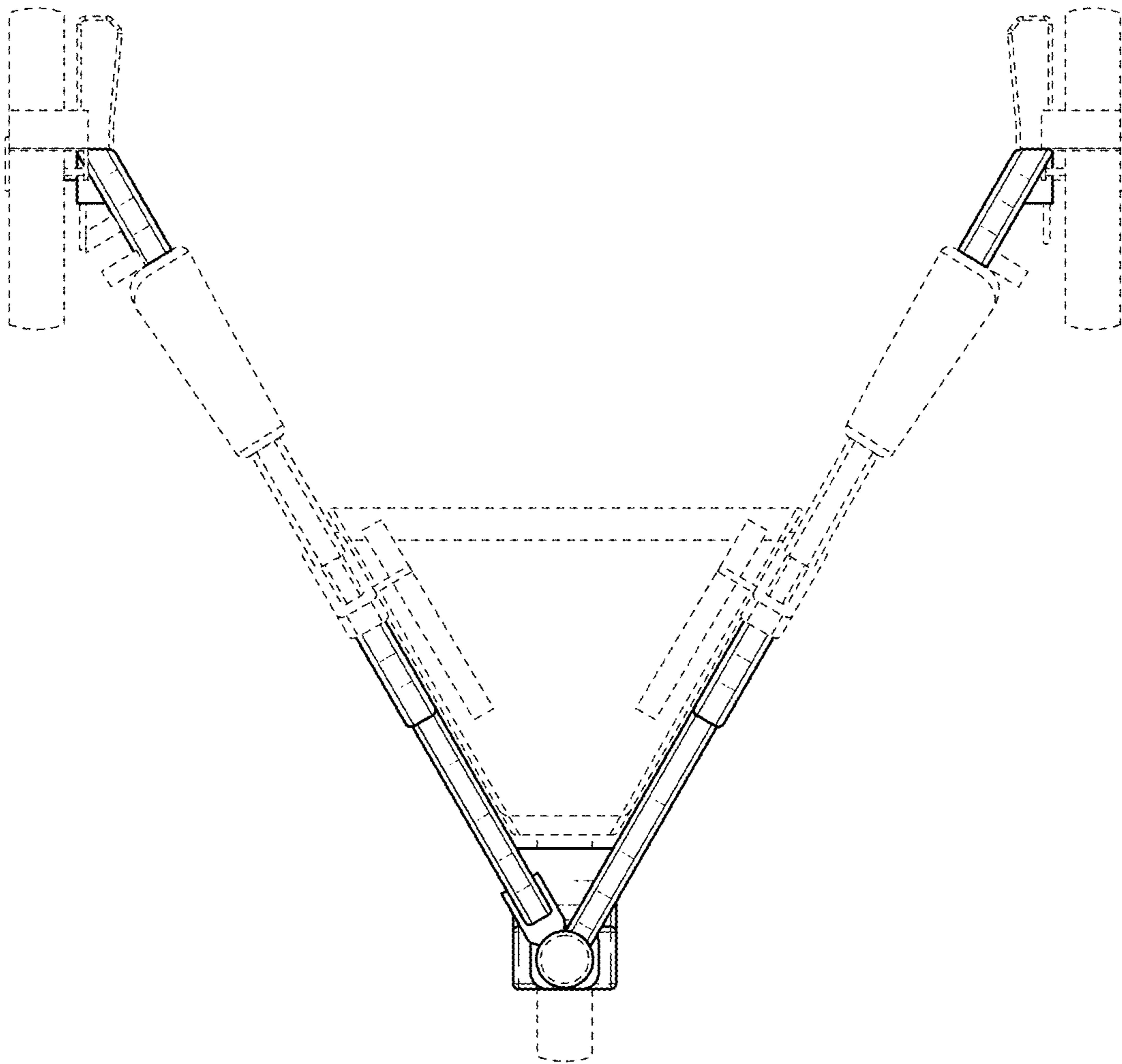


FIG. 6

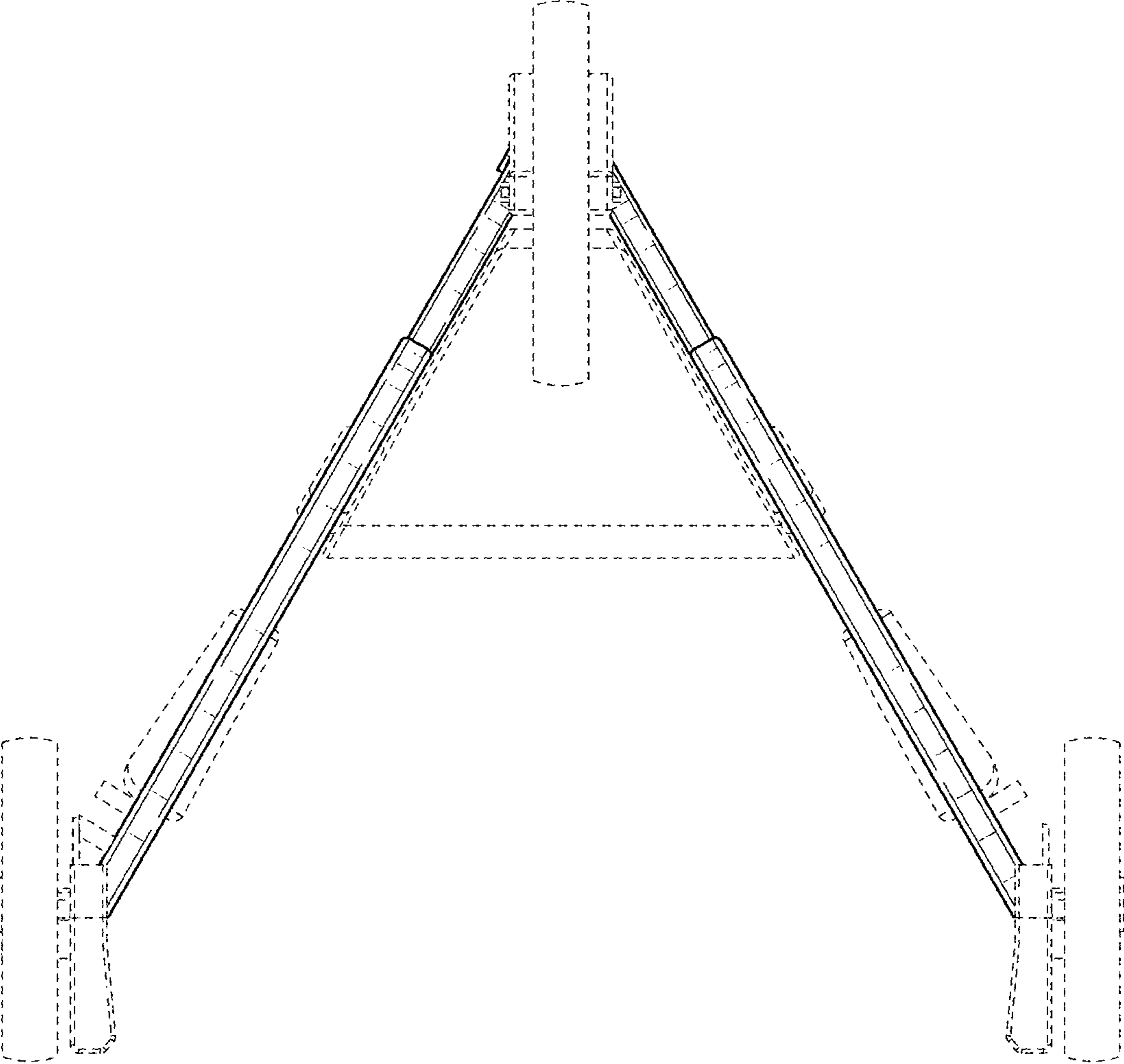


FIG. 7