



US00D943461S

(12) **United States Design Patent** (10) **Patent No.:** **US D943,461 S**
Wiegel et al. (45) **Date of Patent:** **** Feb. 15, 2022**

(54) **TRAILER STAND**
(71) Applicant: **Rite-Hite Holding Corporation,**
Milwaukee, WI (US)

5,013,011 A 5/1991 Halloway
D332,789 S * 1/1993 Rak D12/415
5,509,687 A 4/1996 Thorndike
(Continued)

(72) Inventors: **Aaron J. Wiegel,** Benton, WI (US);
Garret Wernecke, Dubuque, IA (US);
Jason Dondlinger, Bellevue, IA (US);
Joe Korman, Dubuque, IA (US); **Lucas**
I. Paruch, Dubuque, IA (US); **Tony**
Duesing, Bellevue, IA (US); **David**
Swift, Dubuque, IA (US)

OTHER PUBLICATIONS

SAF-Holland Group, "Holland Landing Gear and Accessories Parts Catalog," [www.safholland.com], Aug. 2014, 185 pages, Aug. 1, 2014.

(Continued)

(73) Assignee: **Rite-Hite Holding Corporation,**
Milwaukee, WI (US)

Primary Examiner — Katrina A Betton
(74) *Attorney, Agent, or Firm* — Hanley, Flight &
Zimmerman, LLC

(**) Term: **15 Years**

(57) **CLAIM**

(21) Appl. No.: **29/756,602**

The ornamental design for a "trailer stand", as shown and described.

(22) Filed: **Oct. 29, 2020**

DESCRIPTION

Related U.S. Application Data

(63) Continuation of application No. 29/643,347, filed on Apr. 6, 2018, now Pat. No. Des. 902,793.

(51) **LOC (13) Cl.** **12-16**

(52) **U.S. Cl.**
USPC **D12/106**

(58) **Field of Classification Search**
USPC D12/162, 19, 129, 100–106, 111–112;
D21/425, 435; D34/21–26, 12, 16–19, 31
CPC . B62D 35/02; B62D 35/00; B60P 3/10; B60P
3/1033; A62B 3/005
See application file for complete search history.

FIG. 1 is a top, right perspective view of handles for a trailer stand.

FIG. 2 is an enlarged view of a portion of the trailer stand of FIG. 1 corresponding to the handle and associated finger guard in the upper left corner of FIG. 1.

FIG. 3 is a front view of the handles and the trailer stand of FIG. 1.

FIG. 4 is a rear view of the handles and the trailer stand of FIG. 1.

FIG. 5 is a right side view of one of the handles and the trailer stand of FIG. 1; and,

FIG. 6 is a left side view of one of the handles and the trailer stand of FIG. 1.

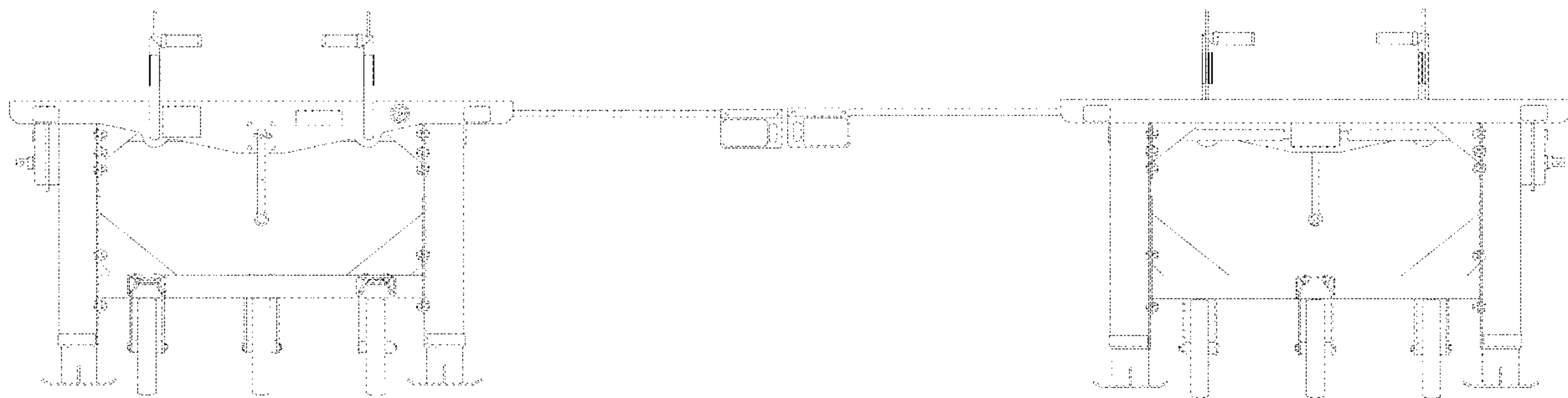
The features shown in broken lines consisting of only dashes are for illustrative purposes only and do not form part of the claimed design. The broken lines consisting of dashes and dots are boundary lines that show the claimed design extends to the boundary lines but the boundary lines do not form part of the claimed design.

(56) **References Cited**

U.S. PATENT DOCUMENTS

3,292,802 A 12/1966 Hutchinson
4,099,695 A 7/1978 Shinn, Jr.
D269,420 S * 6/1983 McClure, Jr. D12/106
D291,017 S * 7/1987 Magness D12/106

1 Claim, 6 Drawing Sheets



(56)

References Cited

U.S. PATENT DOCUMENTS

D396,669 S * 8/1998 Wilson D12/106
 D414,732 S 10/1999 Redmon
 D419,700 S * 1/2000 Shaw D25/199
 D636,297 S * 4/2011 Wu D12/106
 D744,379 S * 12/2015 Penner D12/106
 9,327,781 B2 5/2016 Hopkins
 D822,148 S * 7/2018 DeBerry D22/147
 D837,272 S * 1/2019 Hewitt D15/138
 D862,306 S 10/2019 Porath
 D862,308 S 10/2019 Siegel et al.
 D867,228 S 11/2019 DePietro et al.
 D870,605 S 12/2019 Huebner
 D871,973 S * 1/2020 Christensen D12/106
 D873,181 S * 1/2020 Leonardi D12/106
 D873,723 S 1/2020 Borkholder
 D875,620 S 2/2020 Watson
 D879,670 S 3/2020 Borkholder

D880,376 S 4/2020 Goodner
 D880,377 S 4/2020 Spencer et al.
 D902,793 S 11/2020 Wiegel et al.
 D918,094 S * 5/2021 Wu D12/106
 2009/0108147 A1 4/2009 Di Biase
 2014/0166950 A1 6/2014 Wiegel et al.
 2014/0252194 A1 9/2014 Hopkins
 2016/0001749 A1 1/2016 Kimener

OTHER PUBLICATIONS

“Storax Brochure,” retrieved from [www.storaxlaadbruggen.nl], machine translation provided, dated Jan. 1, 2009, 26 pages.
 Rite-Hite Europe, “Trailerjack Brochure,” dated Jan. 1, 2000, 3 pages.
 United States Patent and Trademark Office, “Notice of Allowance and Fee(s) Due,” issued in connection with U.S. Appl. No. 29/643,347, dated Jul. 16, 2020, 7 pages.

* cited by examiner

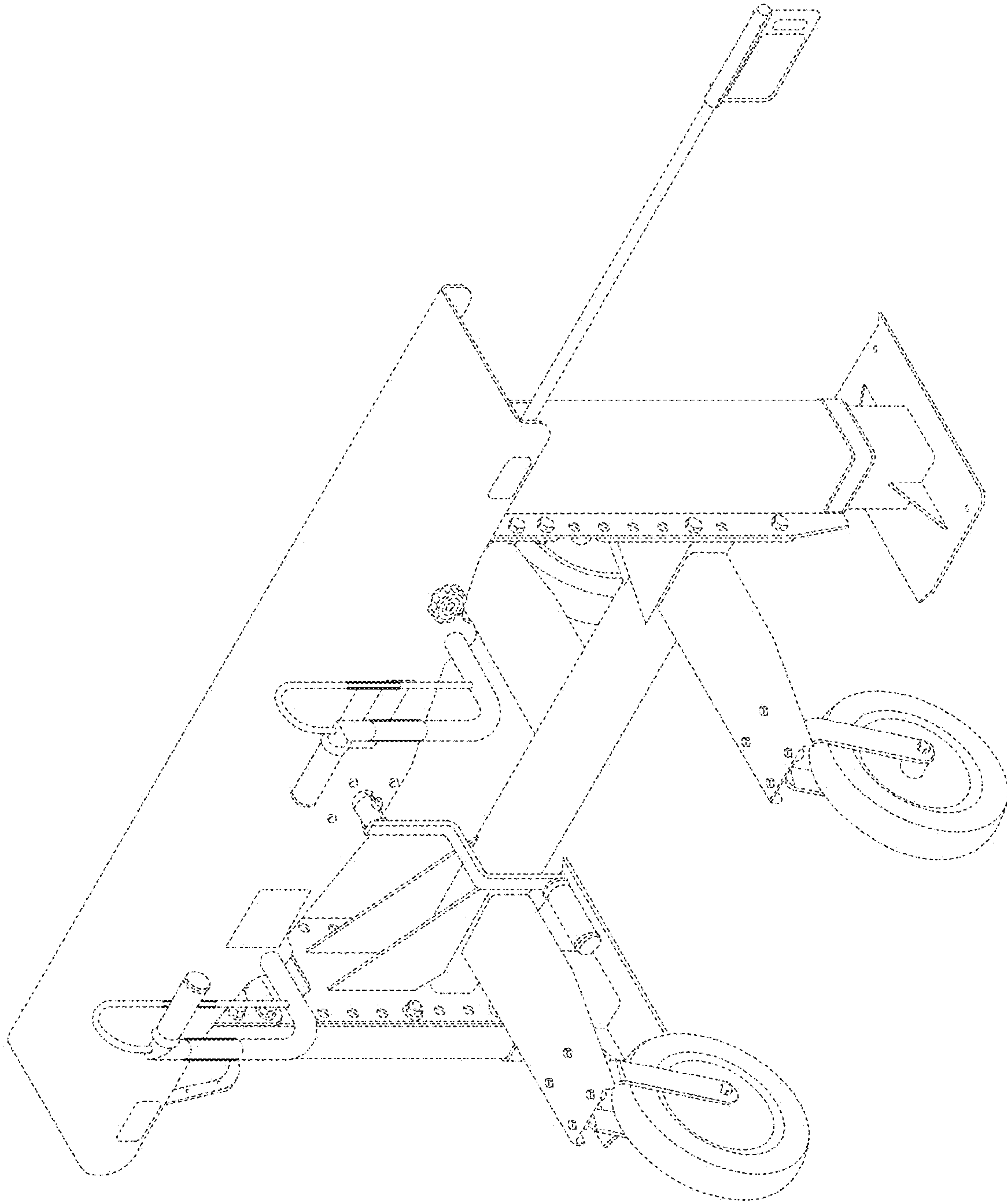


FIG. 1

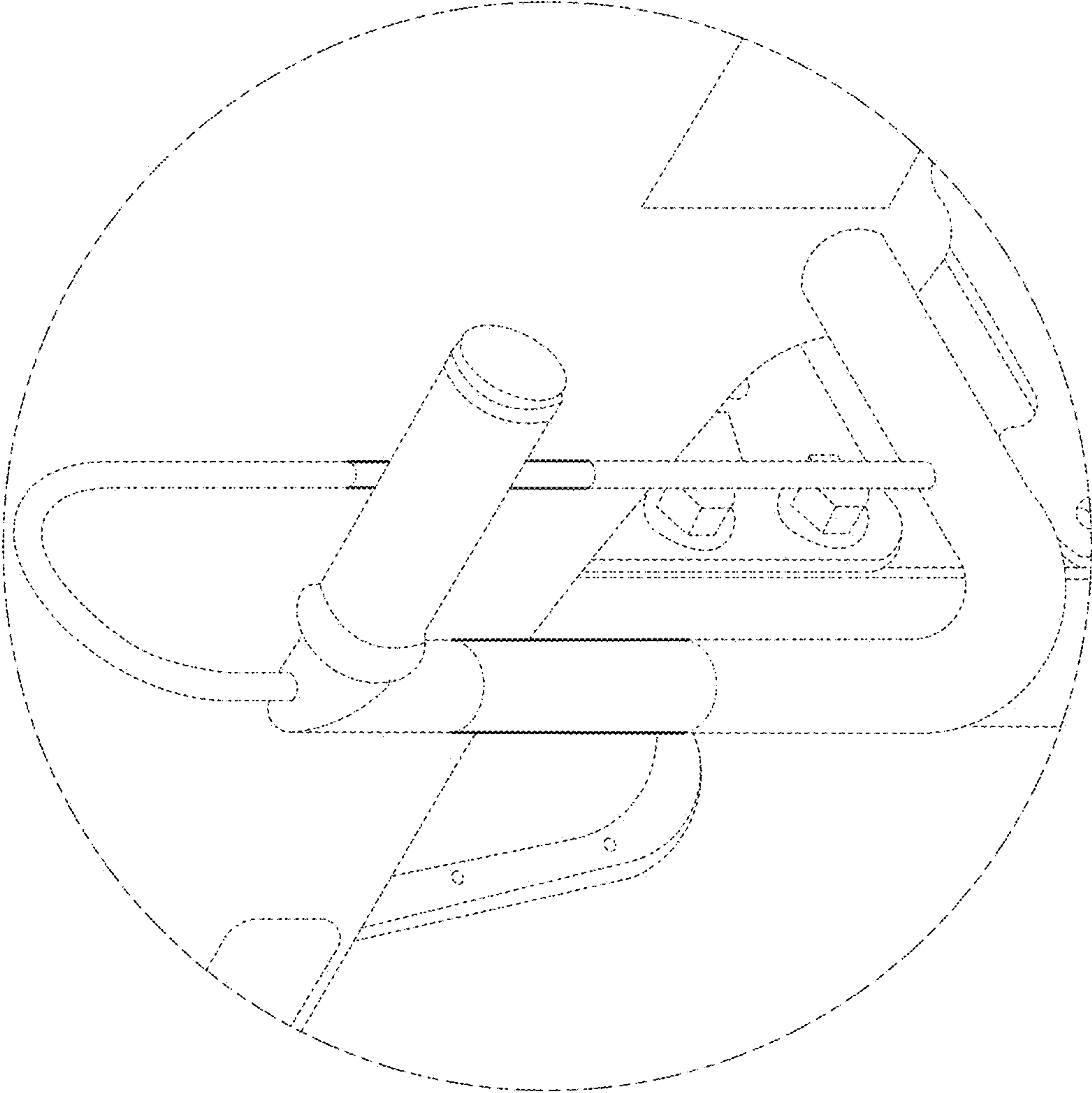


FIG. 2

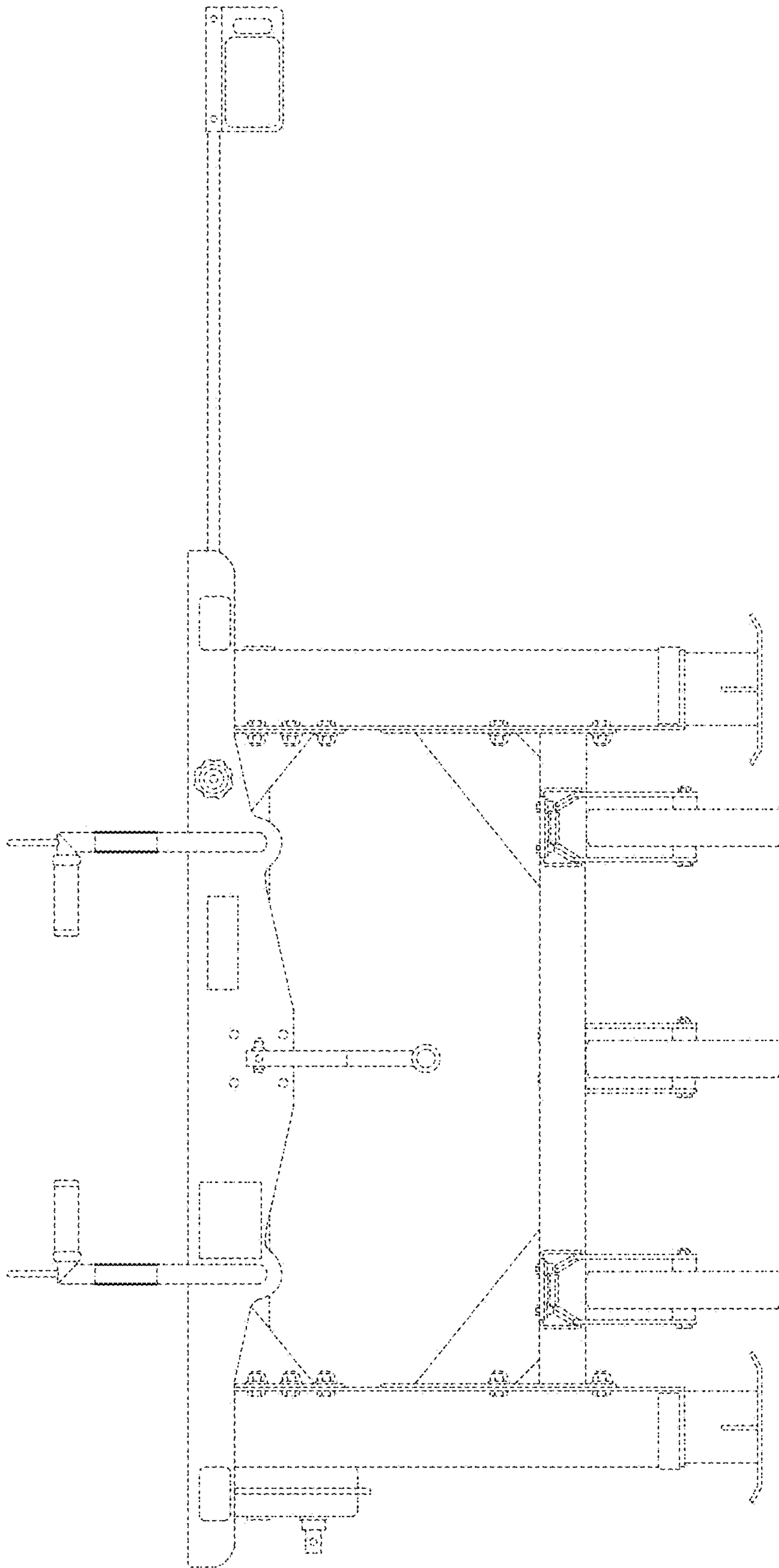


FIG. 3

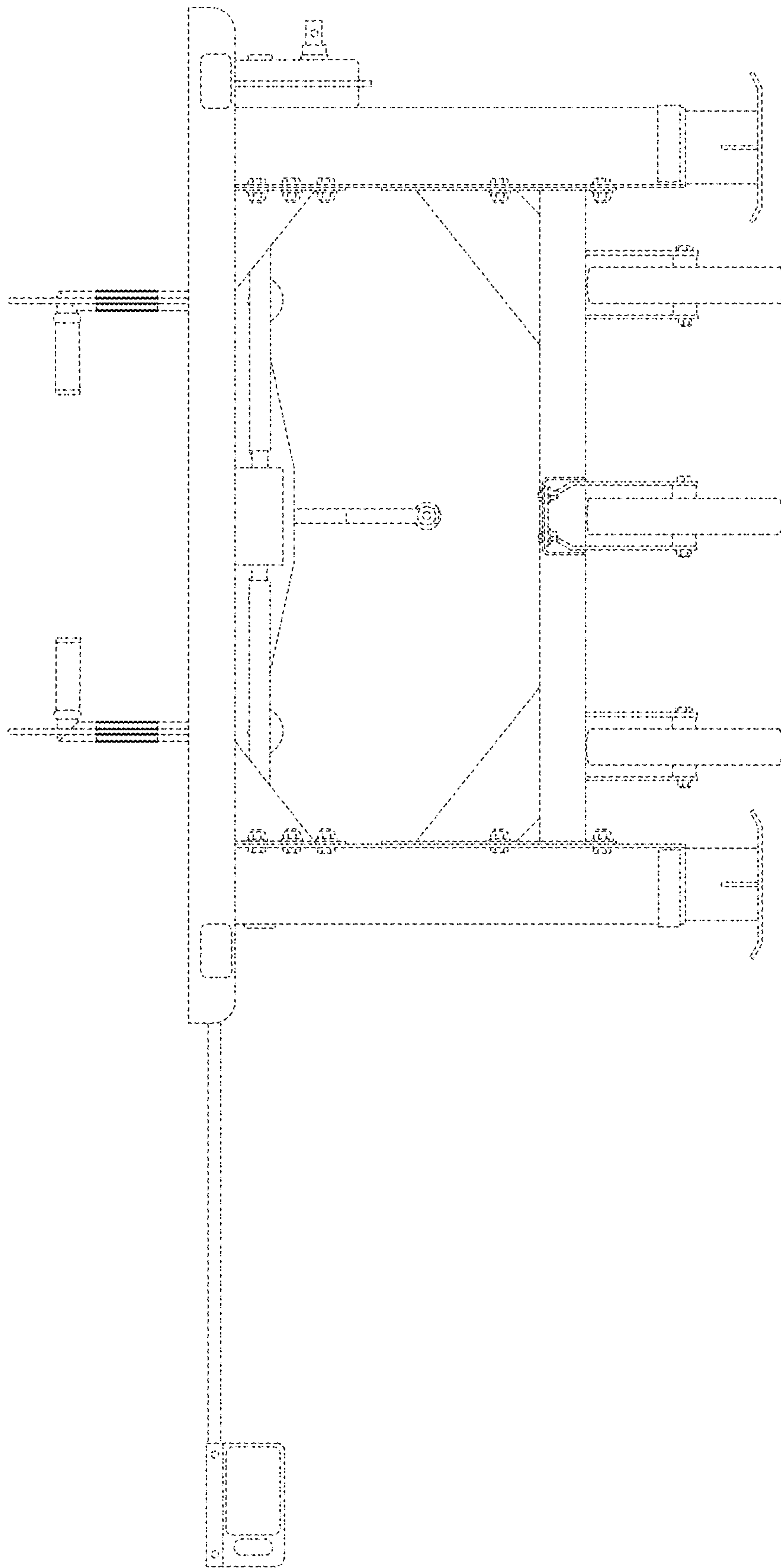


FIG. 4

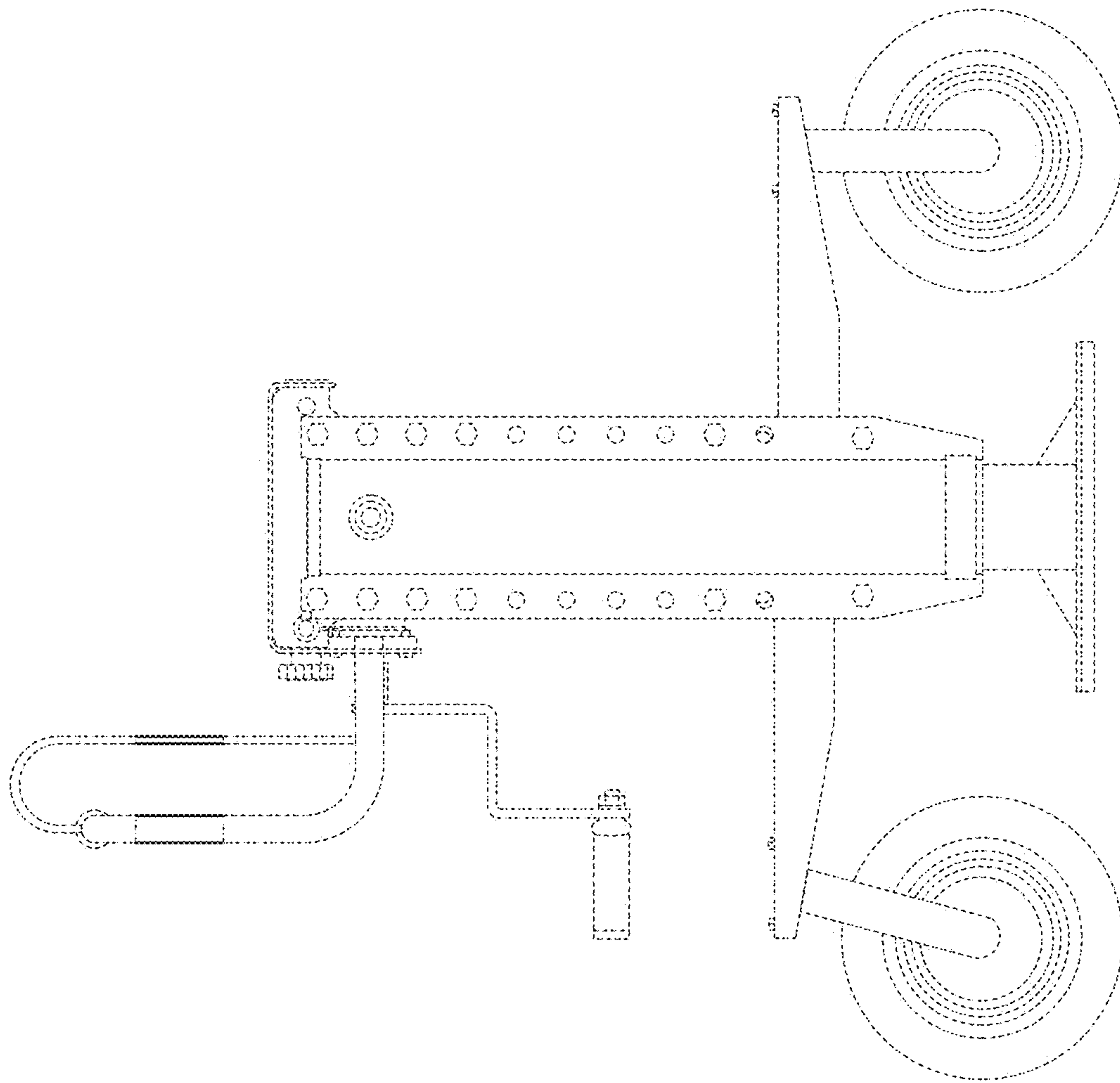


FIG. 5

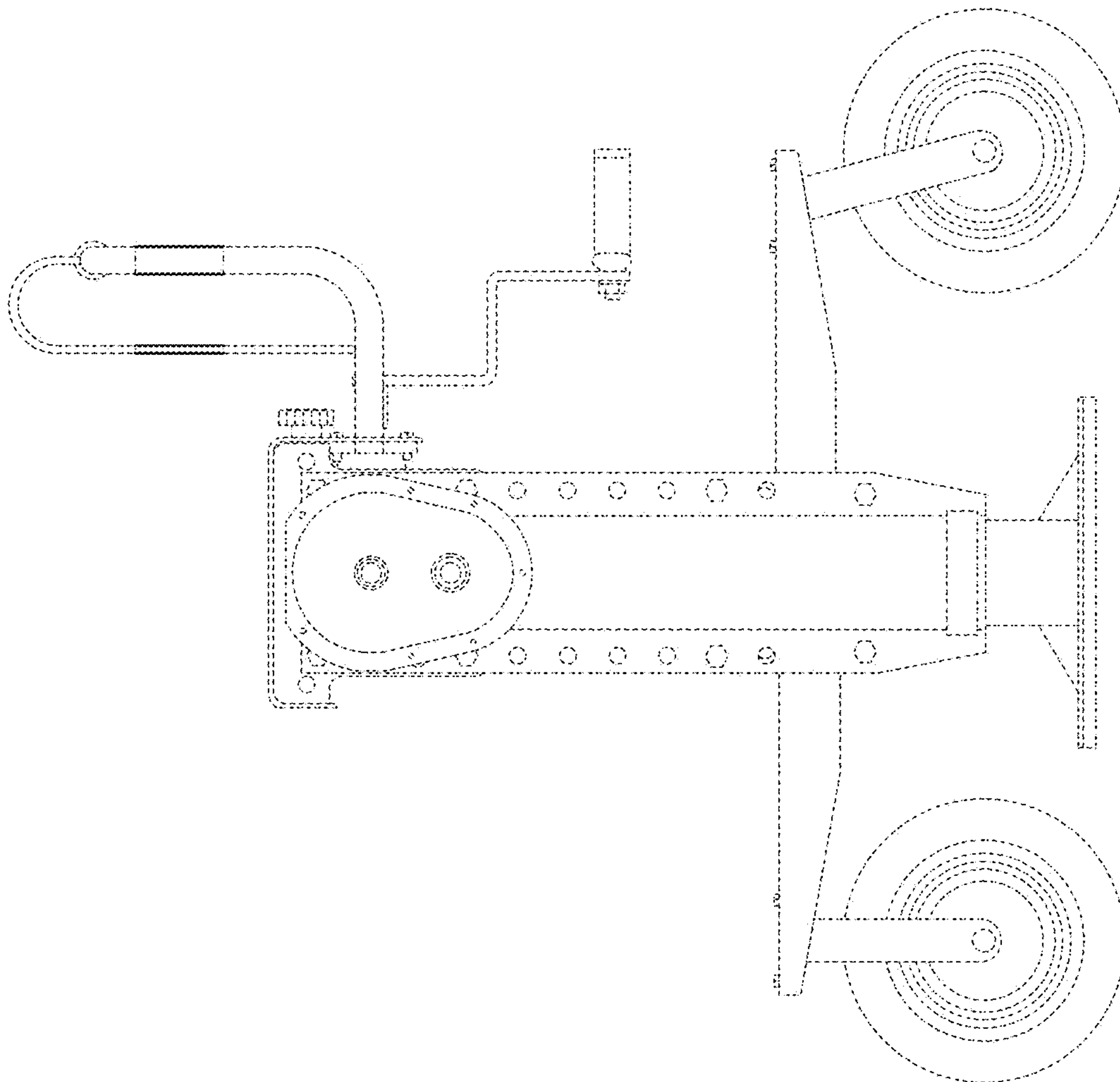


FIG. 6