



US00D943458S

(12) **United States Design Patent**
Campman

(10) **Patent No.:** **US D943,458 S**

(45) **Date of Patent:** **** Feb. 15, 2022**

(54) **RAILROAD BRACKET**

(71) Applicant: **Robert A Campman**, Greenville, PA
(US)

(72) Inventor: **Robert A Campman**, Greenville, PA
(US)

(73) Assignee: **Grace Industries, Inc.**, Fredonia, PA
(US)

(**) Term: **15 Years**

(21) Appl. No.: **29/695,239**

(22) Filed: **Jun. 17, 2019**

Related U.S. Application Data

(63) Continuation of application No. 14/960,350, filed on
Dec. 5, 2015, now Pat. No. 10,472,774.

(51) **LOC (13) Cl.** **12-03**

(52) **U.S. Cl.**
USPC **D12/51**

(58) **Field of Classification Search**
USPC D12/50, 51, 223
CPC E01B 26/00; B61L 23/06
See application file for complete search history.

(56) **References Cited**

U.S. PATENT DOCUMENTS

713,404 A * 11/1902 Copeland et al. E01B 5/16
238/288
787,003 A * 4/1905 Seitz E01B 3/16
238/64

D301,129 S * 5/1989 Rex D12/51
D345,119 S * 3/1994 Cox D12/51
8,061,662 B1 * 11/2011 Bartek B61L 23/06
246/203 D

10,472,774 B2 * 11/2019 Campman E01B 26/00
2017/0159243 A1 * 6/2017 Campman E01B 26/00

* cited by examiner

Primary Examiner — Ania Aman

(74) *Attorney, Agent, or Firm* — Daniel K. Dorsey, Esq.

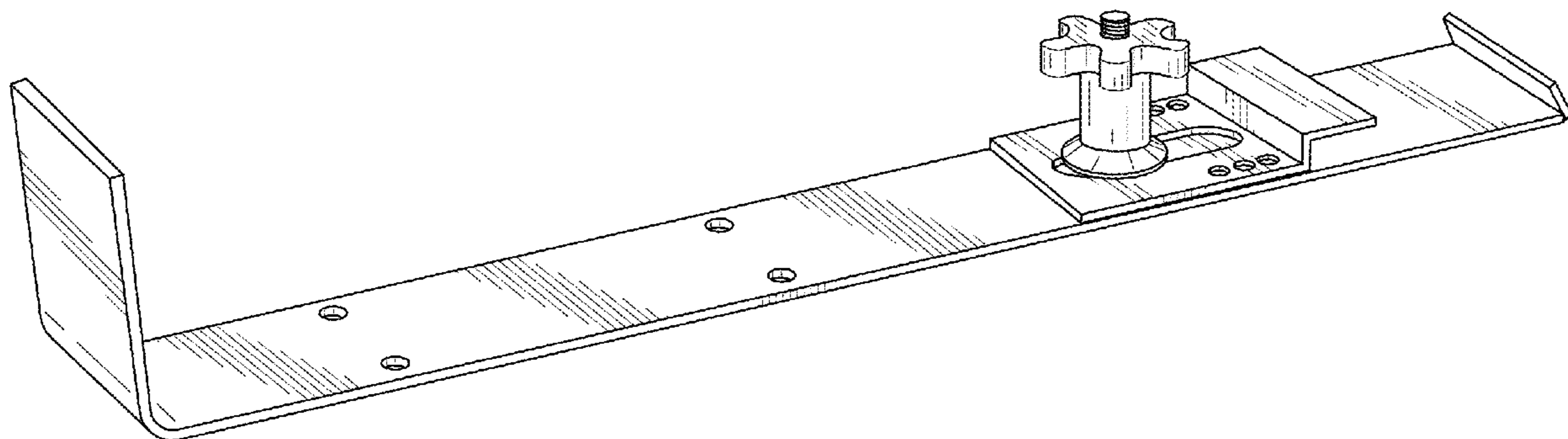
(57) **CLAIM**

The ornamental design for a railroad bracket, as shown and described.

DESCRIPTION

FIG. 1 is a perspective view of a railroad bracket embodying my design;
FIG. 2 is a top view of the railroad bracket as shown in FIG. 1;
FIG. 3 is a bottom view of the railroad bracket as shown in FIG. 1;
FIG. 4 is a rear view of the railroad bracket as shown in FIG. 1;
FIG. 5 is a front view of the railroad bracket as shown in FIG. 1;
FIG. 6 is a right side view of the railroad bracket as shown in FIG. 1; and,
FIG. 7 is a left view of the railroad bracket as shown in FIG. 1.

1 Claim, 4 Drawing Sheets



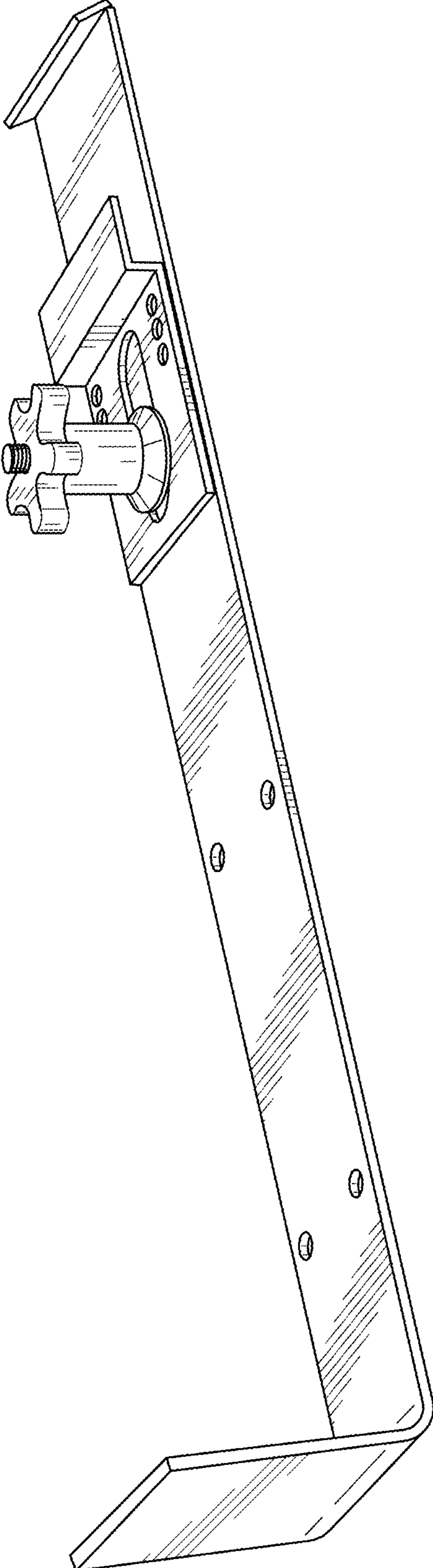


FIG. 1

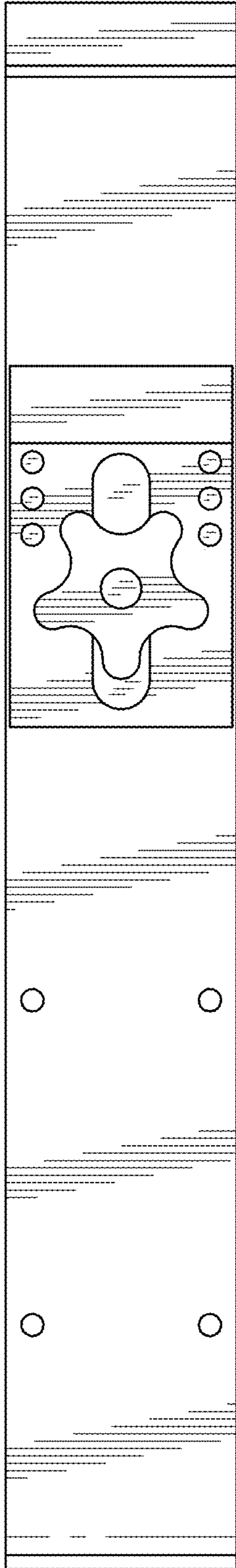


FIG. 2

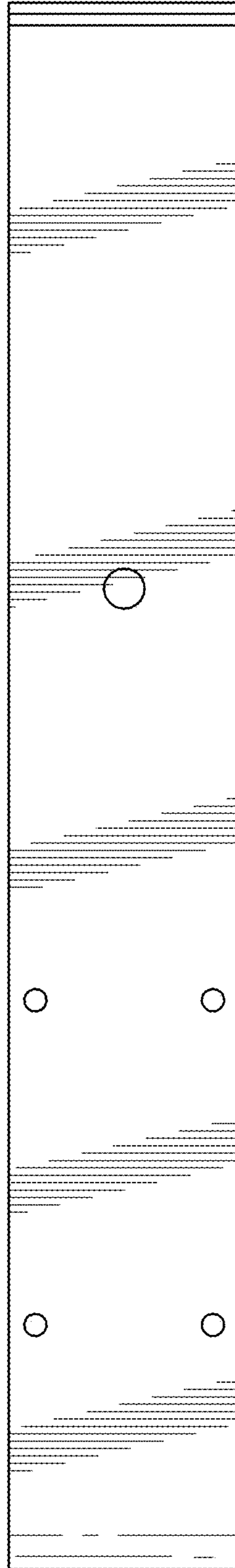


FIG. 3

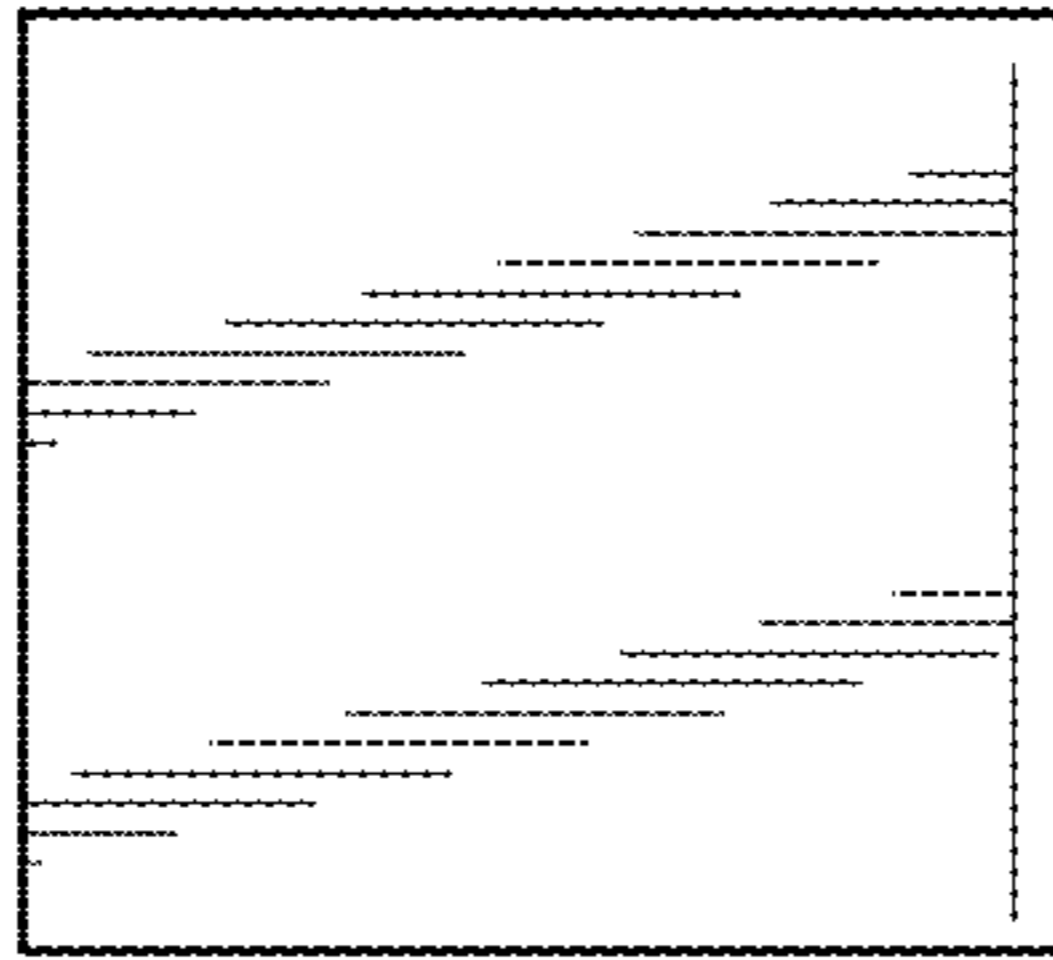


FIG. 5

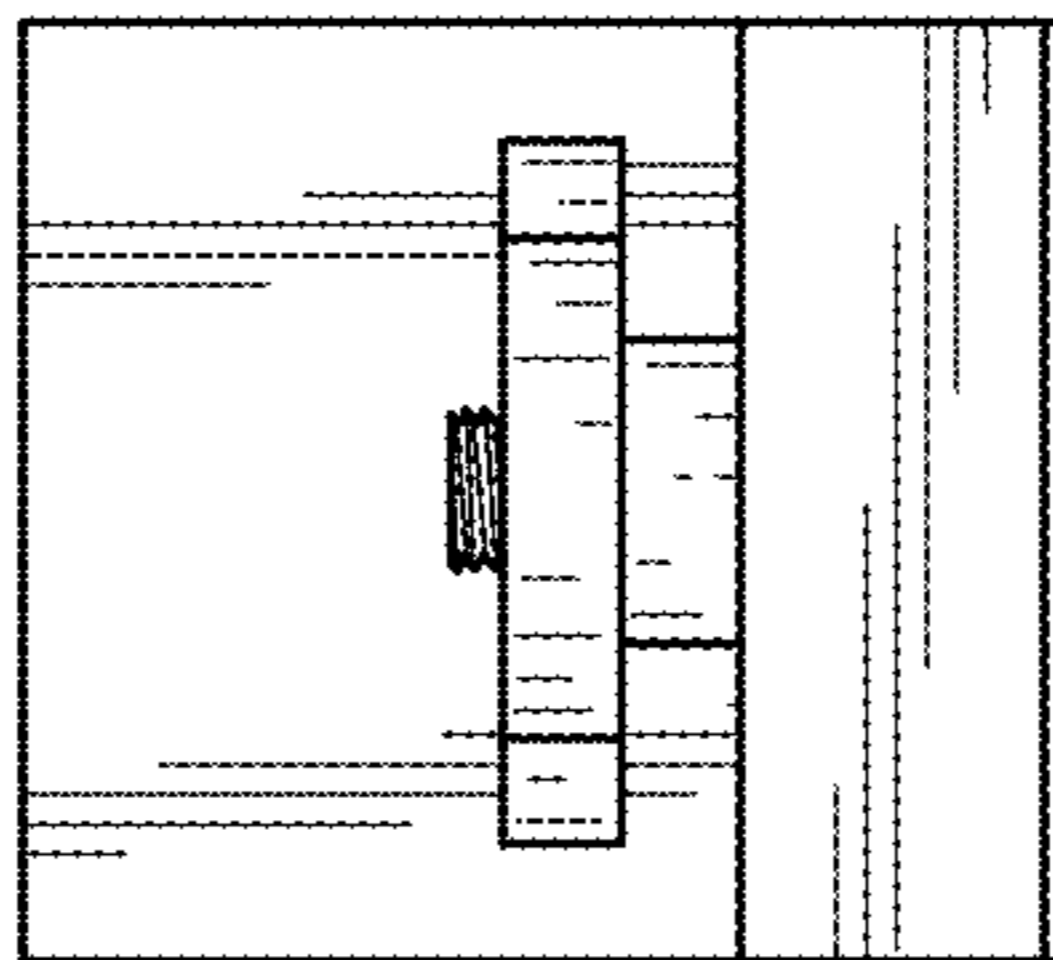


FIG. 4

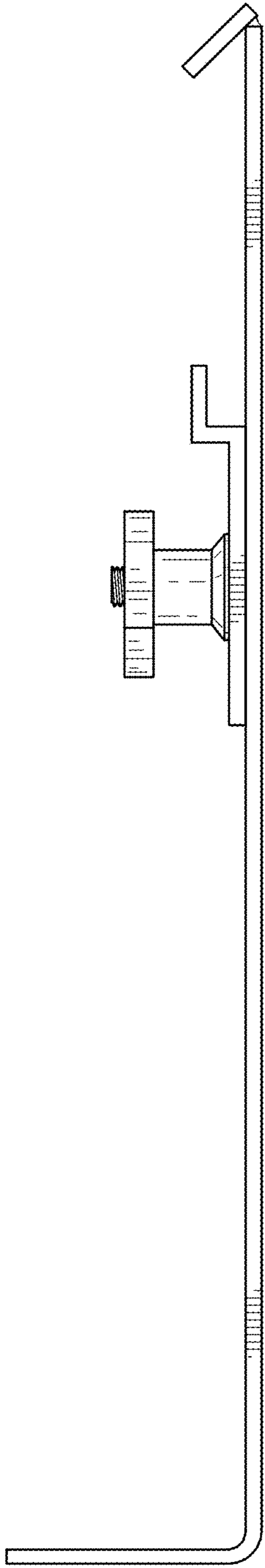


FIG. 6

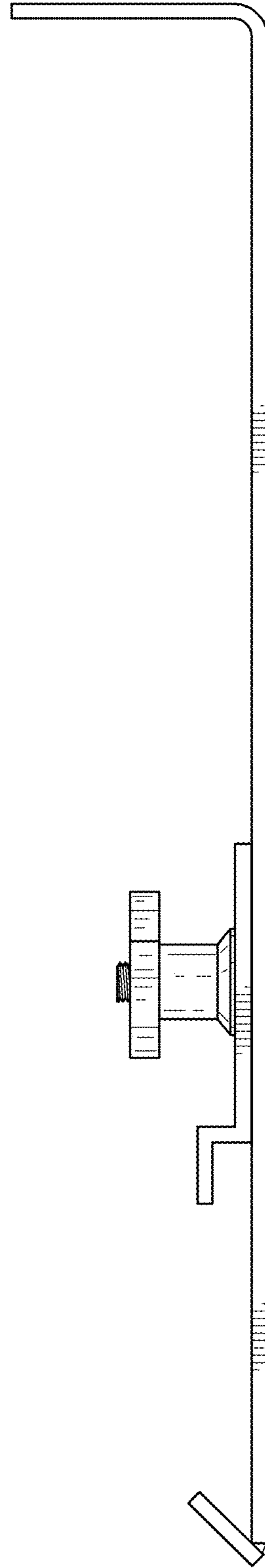


FIG. 7