



US00D943457S

(12) **United States Design Patent**
Liu et al.

(10) **Patent No.:** **US D943,457 S**
(45) **Date of Patent:** **** *Feb. 15, 2022**

(54) **UNMANNED AERIAL VEHICLE**
(71) Applicant: **ZERO ZERO ROBOTICS INC.**,
Hangzhou (CN)
(72) Inventors: **Jingming Liu**, Zhejiang (CN); **Tong Zhang**, Zhejiang (CN); **Sixue Li**,
Zhejiang (CN)
(73) Assignee: **ZERO ZERO ROBOTICS INC.**,
Hangzhou (CN)

D846,439 S * 4/2019 Kim D12/16.1
D865,637 S * 11/2019 Zhang D12/328
D869,334 S * 12/2019 Stroppiana D12/16.1
10,618,629 B2 * 4/2020 Campbell B64C 11/20
10,805,540 B2 * 10/2020 Van Niekerk H04N 5/2257
D906,170 S * 12/2020 Thompson D12/16.1
10,974,823 B2 * 4/2021 Van Niekerk B64C 39/02
2007/0105474 A1 * 5/2007 Gotou A63H 27/12
446/37
2016/0286128 A1 * 9/2016 Zhou B64C 39/024
(Continued)

(*) Notice: This patent is subject to a terminal disclaimer.

(**) Term: **15 Years**

(21) Appl. No.: **29/728,106**

(22) Filed: **Mar. 16, 2020**

(51) **LOC (13) Cl.** **12-07**

(52) **U.S. Cl.**
USPC **D12/16.1**

(58) **Field of Classification Search**
USPC D12/1-4, 16.1, 319-345; D21/436, 441,
D21/443, 444, 446, 447, 448, 449, 450,
D21/451, 452, 453, 454
CPC B64C 2201/141; B64C 2201/20; B64C
2201/027; B64G 1/002; A63H 33/185
See application file for complete search history.

(56) **References Cited**

U.S. PATENT DOCUMENTS

9,703,288 B1 * 7/2017 Zhang B64D 47/08
D798,192 S * 9/2017 Zhang D12/16.1
D799,374 S * 10/2017 Zhou D12/16.1
9,836,053 B2 * 12/2017 Wang G05D 1/0088
D809,969 S * 2/2018 Zhang D12/16.1
D811,264 S * 2/2018 Zhang D12/16.1
D816,581 S * 5/2018 Zhao D12/328
D818,873 S * 5/2018 Tian D12/16.1
10,011,354 B2 * 7/2018 Goldstein B64C 39/024
D843,890 S * 3/2019 Yang D12/16.1

FOREIGN PATENT DOCUMENTS

CN 201830620800.2 3/2019

OTHER PUBLICATIONS

Hover 2. by Zero Zero Robotics. 2019 copyright page date. no publication date. found online [May 26, 2021] <https://zerozero.tech/hover2>.*

Primary Examiner — Marissa J Cash
(74) *Attorney, Agent, or Firm* — PV IP PC; Wei Te Chung; Ude Lu

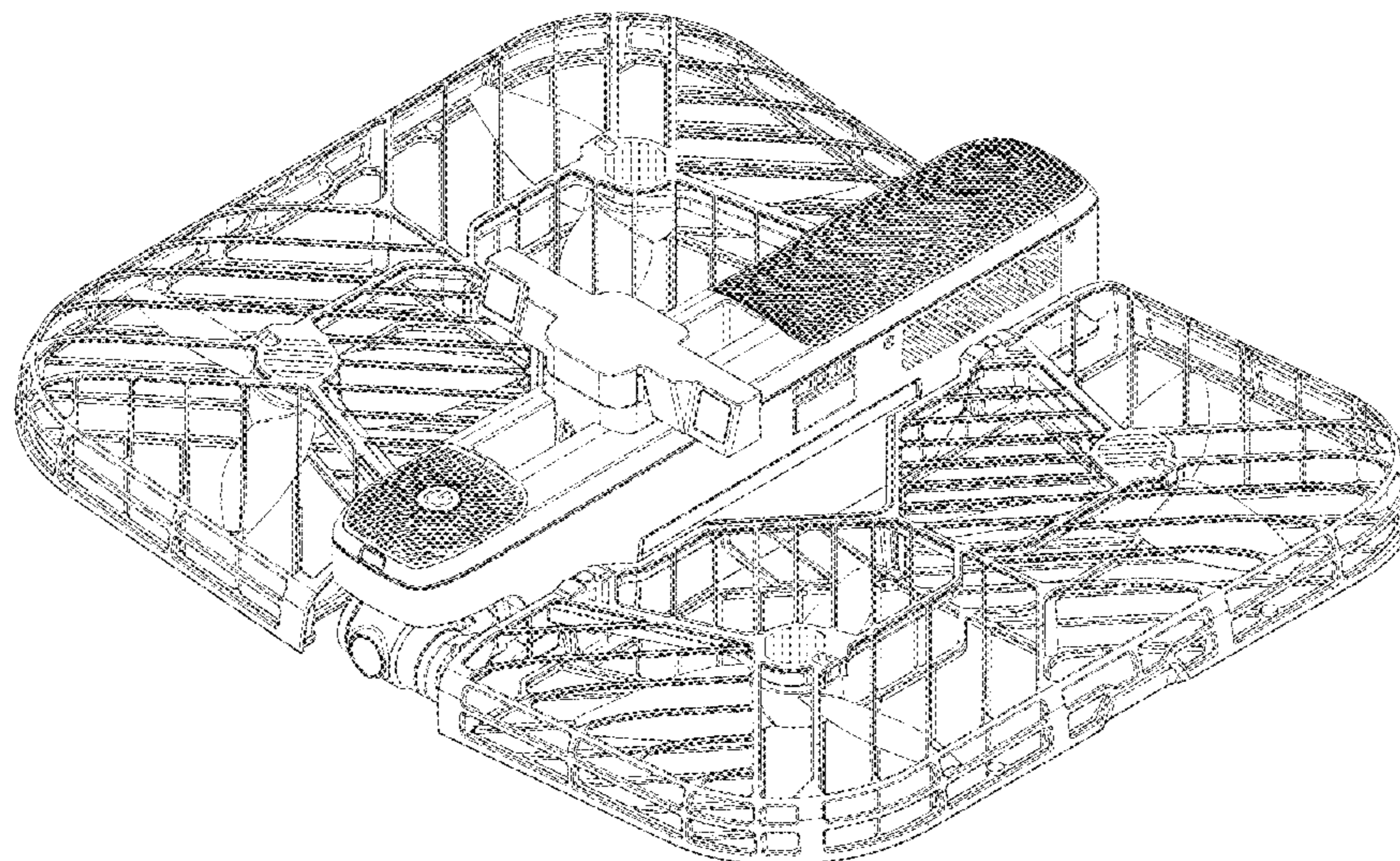
(57) **CLAIM**

We claim the ornamental design for an unmanned aerial vehicle, as shown and described.

DESCRIPTION

FIG. 1 is a top view of our ornamental design for the unmanned aerial vehicle;
FIG. 2 is a front view thereof;
FIG. 3 is a bottom view thereof;
FIG. 4 is a back view thereof;
FIG. 5 is a left side view thereof;
FIG. 6 is a right side view thereof; and,
FIG. 7 is a front, top perspective view thereof.
The broken lines shown in the drawings are for the purpose of illustrating portions of the article and form no part of the claimed design.

1 Claim, 4 Drawing Sheets



(56)

References Cited

U.S. PATENT DOCUMENTS

2016/0291445 A1* 10/2016 Fisher, Sr. G03B 15/006
2016/0306351 A1* 10/2016 Fisher G05D 1/0016
2016/0340021 A1* 11/2016 Zhang B64C 27/08
2017/0053674 A1* 2/2017 Fisher B64C 39/024
2017/0225783 A1* 8/2017 Fisher B64C 27/20
2017/0225796 A1* 8/2017 Sun B64D 33/08
2017/0293884 A1* 10/2017 Cheatham, III G01G 19/07
2017/0323257 A1* 11/2017 Cheatham, III ... G06Q 10/0631
2017/0341776 A1* 11/2017 McClure G05D 1/102
2018/0059660 A1* 3/2018 Heatzig G06K 9/00664
2018/0164819 A1* 6/2018 Zhang B64D 45/00
2018/0173220 A1* 6/2018 Wang B64C 27/006
2018/0208070 A1* 7/2018 Sanchez B64C 39/024
2018/0208311 A1* 7/2018 Zhang G02B 27/0075
2018/0217614 A1* 8/2018 Salas-Moreno G01C 21/206
2018/0288303 A1* 10/2018 Wang B64D 47/08
2018/0319496 A1* 11/2018 Zhang B64C 1/30
2018/0348764 A1* 12/2018 Zhang G06F 3/017
2019/0066524 A1* 2/2019 Zhang G08G 5/045
2019/0152597 A1* 5/2019 Van Niekerk B64C 39/024
2019/0202563 A1* 7/2019 Wiggerich B64C 1/22
2020/0140073 A1* 5/2020 LeGrand B64C 11/34
2020/0269978 A1* 8/2020 Wang B64C 39/024

* cited by examiner

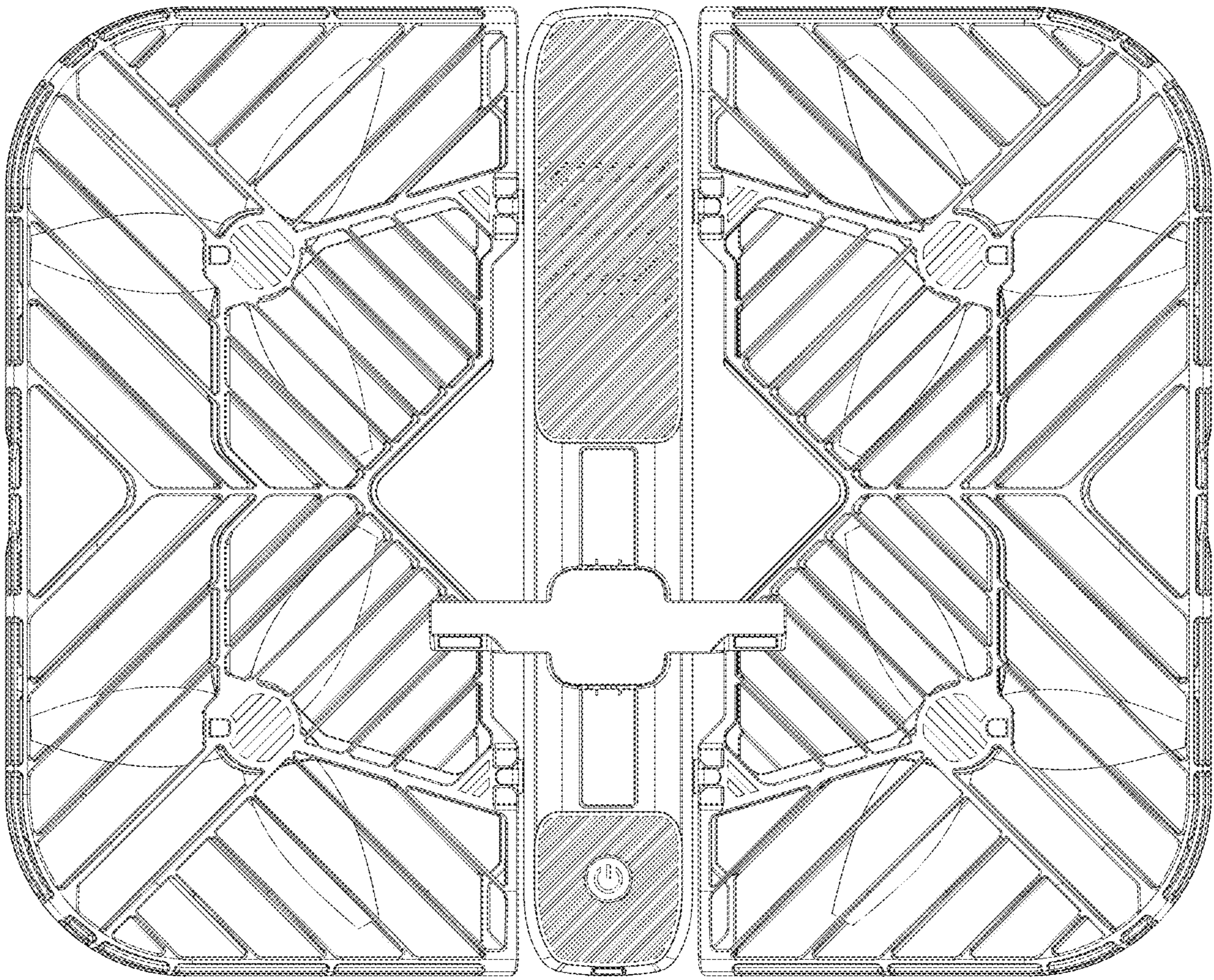


FIG. 1

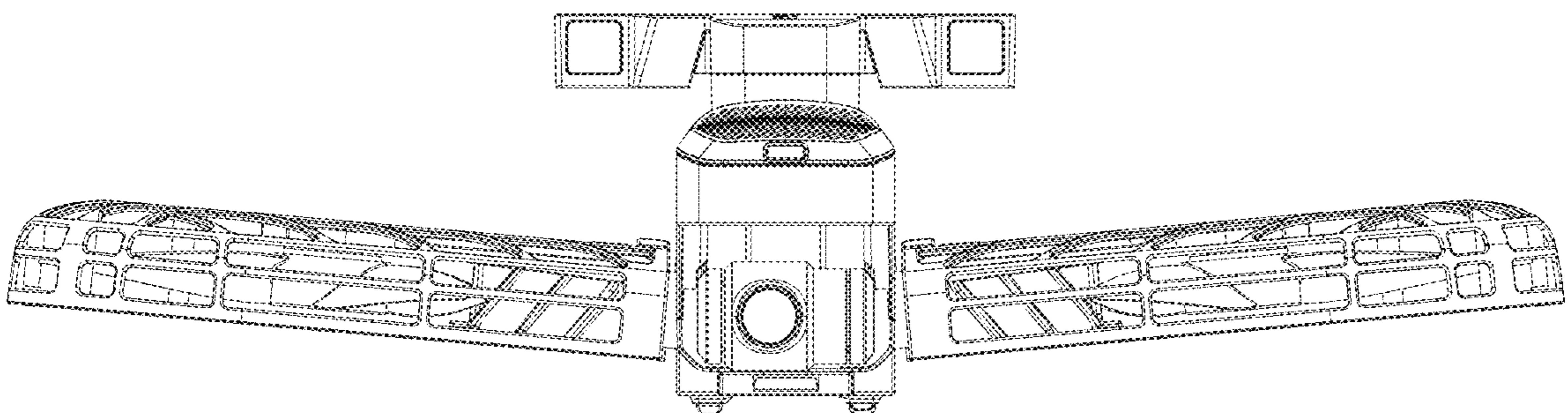


FIG. 2

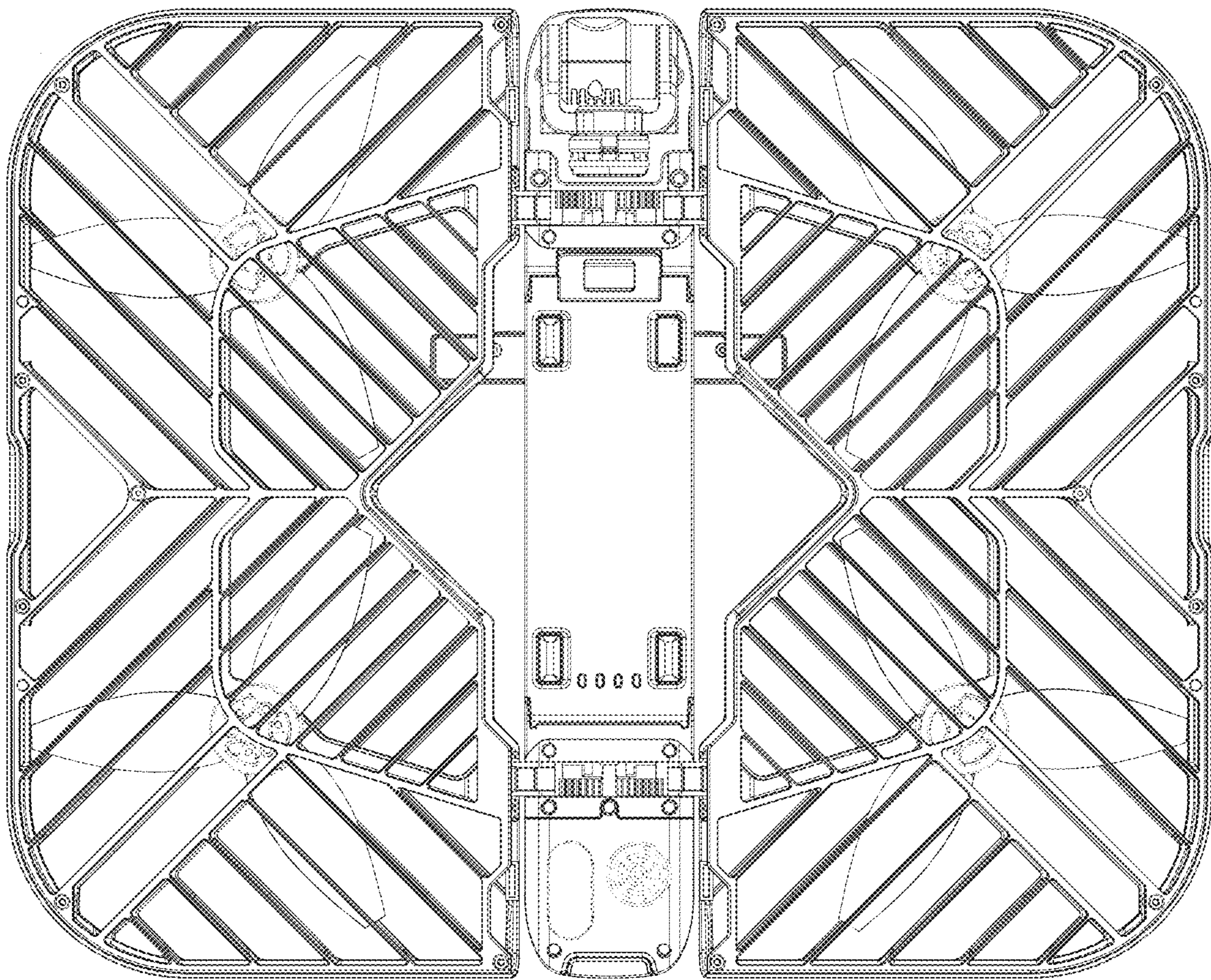


FIG. 3

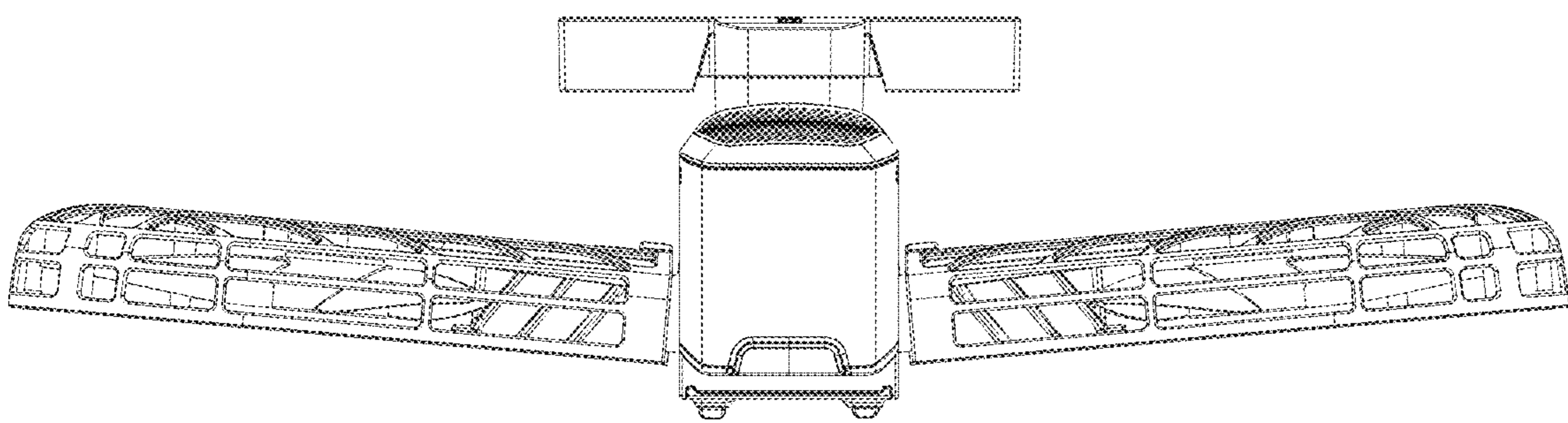


FIG. 4

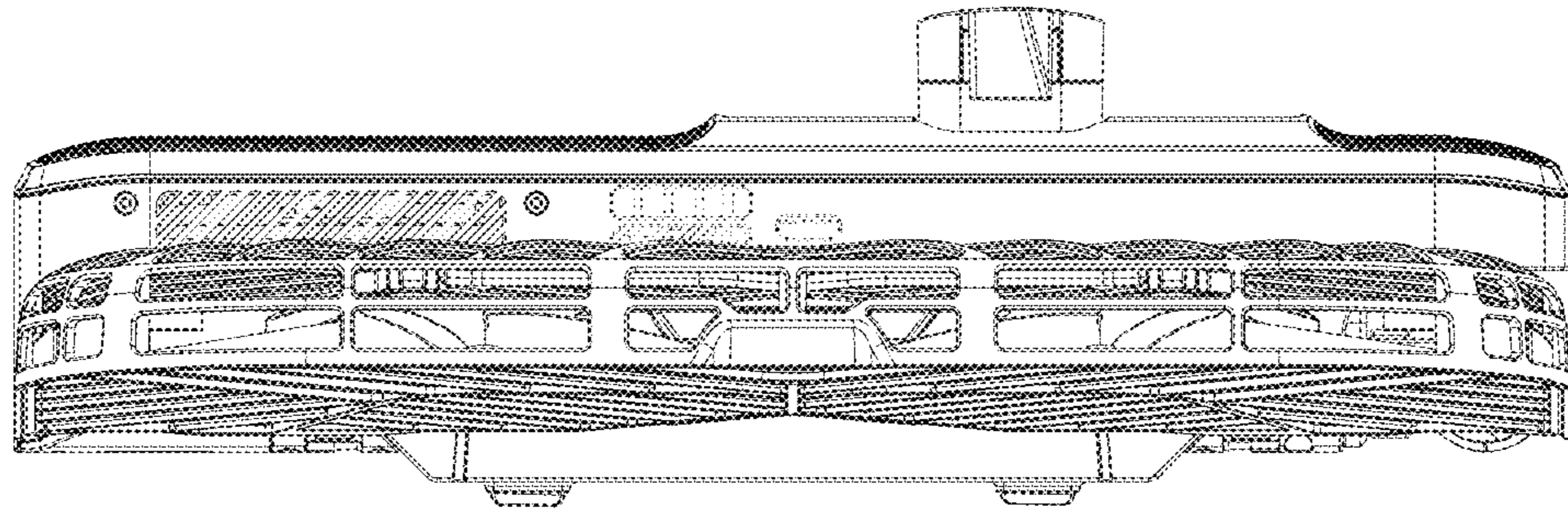


FIG. 5

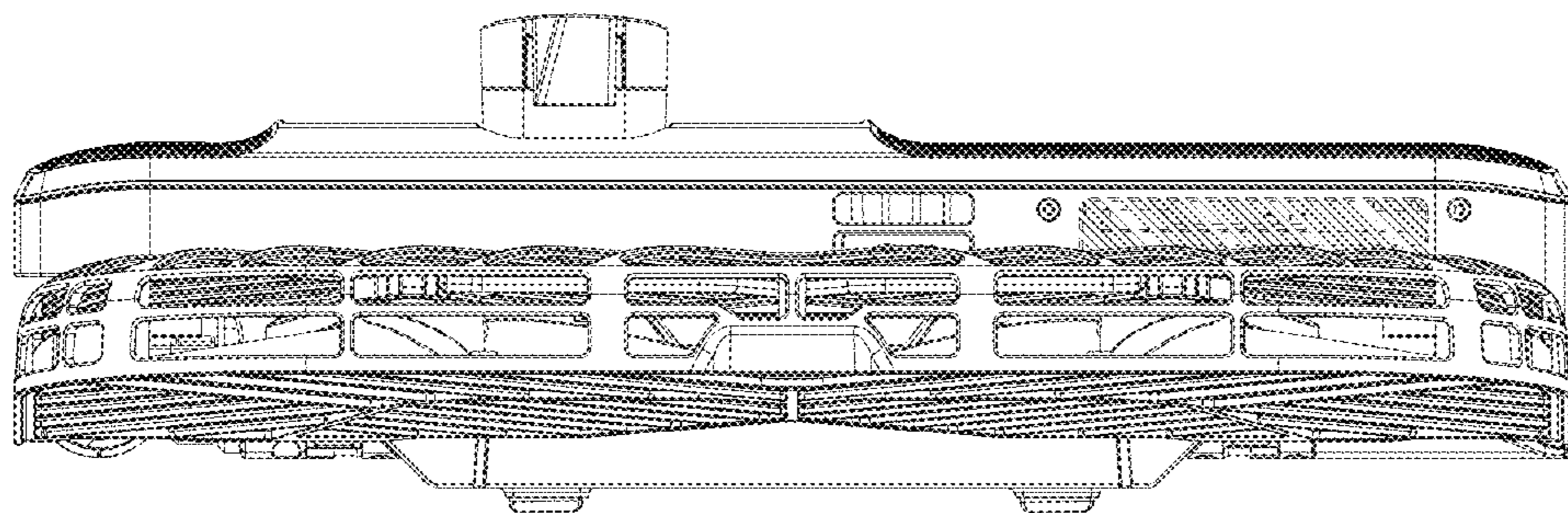


FIG. 6

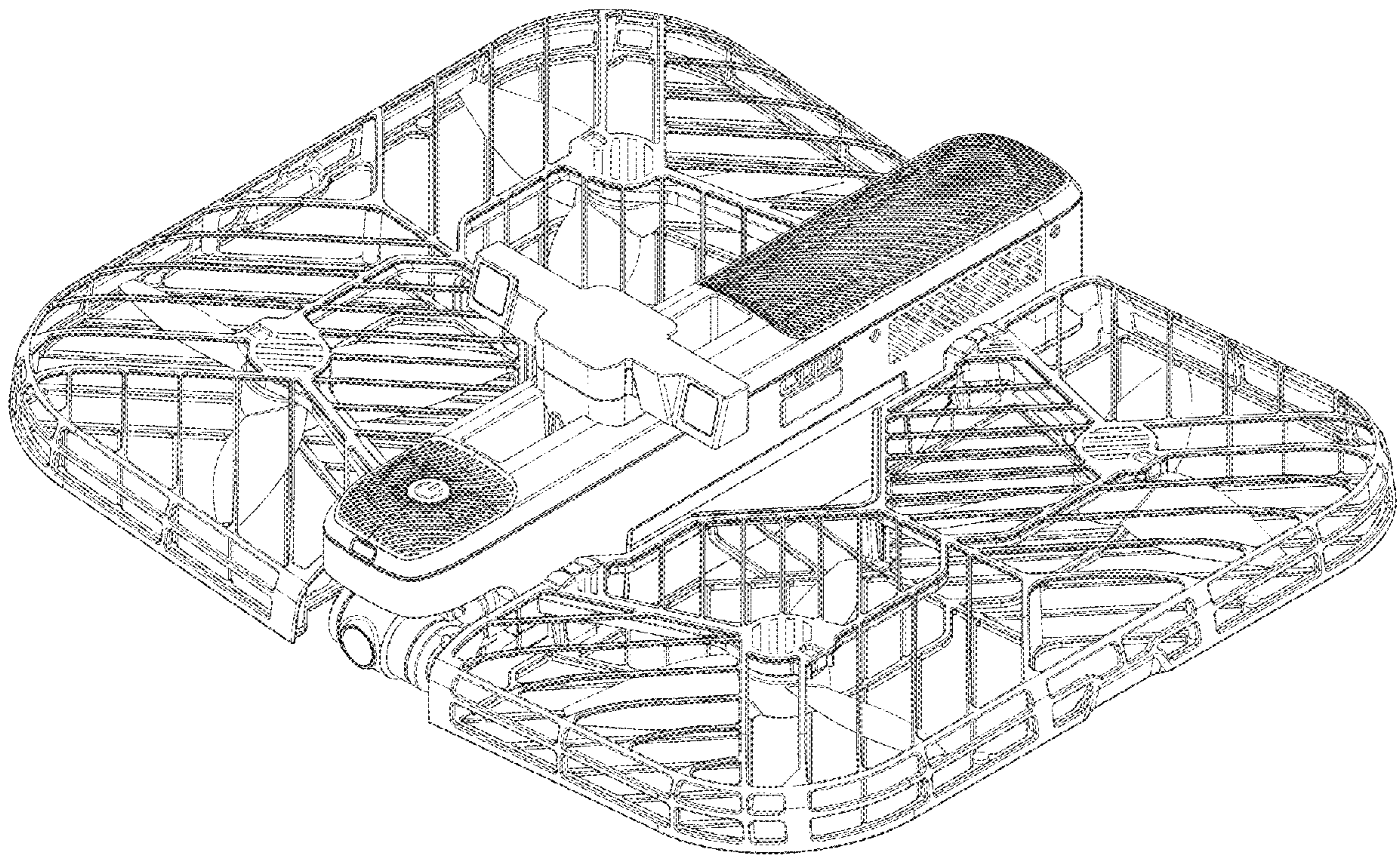


FIG. 7