



US00D943450S

(12) **United States Design Patent** (10) **Patent No.:** **US D943,450 S**  
**Morin** (45) **Date of Patent:** **\*\* Feb. 15, 2022**

- (54) **ARTICLE OF JEWELRY**
- (71) Applicant: **CARTIER INTERNATIONAL AG,**  
Steinhausen (CH)
- (72) Inventor: **Flora Morin,** Conflans Sainte Honorine  
(FR)
- (73) Assignee: **CARTIER INTERNATIONAL AG,**  
Steinhausen (CH)
- (\*\*) Term: **15 Years**
- (21) Appl. No.: **29/766,855**
- (22) Filed: **Jan. 19, 2021**

**Related U.S. Application Data**

- (62) Division of application No. 29/684,856, filed on Mar. 25, 2019, now Pat. No. Des. 909,232.

(30) **Foreign Application Priority Data**

- Sep. 28, 2018 (WO) ..... WIPO75912
- (51) **LOC (13) Cl.** ..... **11-01**
- (52) **U.S. Cl.**  
USPC ..... **D11/12; D11/6**
- (58) **Field of Classification Search**  
USPC ..... D11/1-17, 20, 26, 28, 34, 37, 38, 39, 40  
CPC ..... A44C 5/02; A44C 5/102; A44C 5/105;  
A44C 5/107; A44C 9/00; A44C 13/00  
See application file for complete search history.

(56) **References Cited**

**U.S. PATENT DOCUMENTS**

- 431,804 A \* 7/1890 Edge ..... A44C 11/00  
D11/17
- 442,917 A \* 12/1890 Reynolds ..... A44C 11/00  
D11/16

- D78,900 S \* 7/1929 Saccoccia ..... D11/17
- D162,110 S \* 2/1951 Armbrust ..... D11/15
- D181,920 S \* 1/1958 Armbrust ..... D11/12
- D358,562 S \* 5/1995 Bulgari ..... D11/3
- D452,456 S \* 12/2001 Cabarbaye ..... D11/3
- D505,633 S \* 5/2005 Hardy ..... D11/26
- D652,336 S \* 1/2012 Molik ..... D11/3
- D691,505 S \* 10/2013 Fillon ..... D11/3
- D811,926 S \* 3/2018 Luig ..... D11/26
- D839,122 S \* 1/2019 Ghirardi ..... D11/6
- D909,232 S \* 2/2021 Morin ..... D11/16
- D912,564 S \* 3/2021 Morin ..... D11/6
- D913,143 S \* 3/2021 Yamada ..... D11/26
- D921,517 S \* 6/2021 Morin ..... D11/26
- D925,387 S \* 7/2021 Morin ..... D11/6
- D926,069 S \* 7/2021 Morin ..... D11/8
- D926,070 S \* 7/2021 Morin ..... D11/8
- D926,071 S \* 7/2021 Morin ..... D11/16
- D927,343 S \* 8/2021 Morin ..... D11/41
- D927,344 S \* 8/2021 Morin ..... D11/42
- D929,885 S \* 9/2021 Morin ..... D11/12
- D929,886 S \* 9/2021 Morin ..... D11/12

(Continued)

*Primary Examiner* — Llorellys Martinez

(74) *Attorney, Agent, or Firm* — Oliff PLC

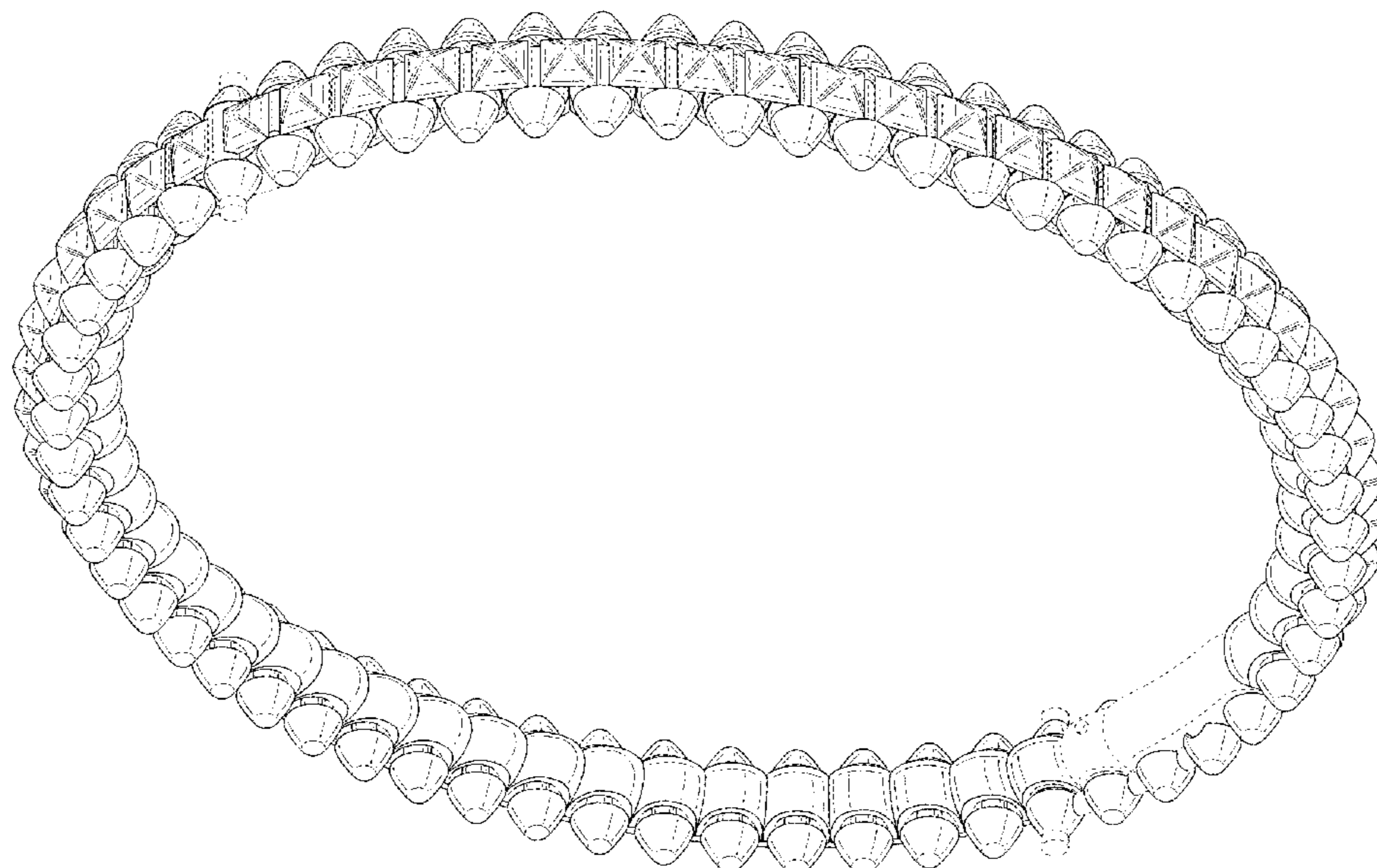
(57) **CLAIM**

The ornamental design for an article of jewelry, as shown and described.

**DESCRIPTION**

FIG. 1 is a front elevational view of an article of jewelry, showing the new design;  
 FIG. 2 is a rear elevational view thereof;  
 FIG. 3 is a top plan view thereof;  
 FIG. 4 is a bottom plan view thereof;  
 FIG. 5 is a left-side elevational view thereof;  
 FIG. 6 is a right-side elevational view thereof; and,  
 FIG. 7 is a front perspective view thereof.  
 The broken lines in the drawings illustrate portions of the article of jewelry that form no part of the claimed design.

**1 Claim, 5 Drawing Sheets**



(56)

**References Cited**

U.S. PATENT DOCUMENTS

D929,887 S \* 9/2021 Morin ..... D11/16  
D929,888 S \* 9/2021 Morin ..... D11/26

\* cited by examiner

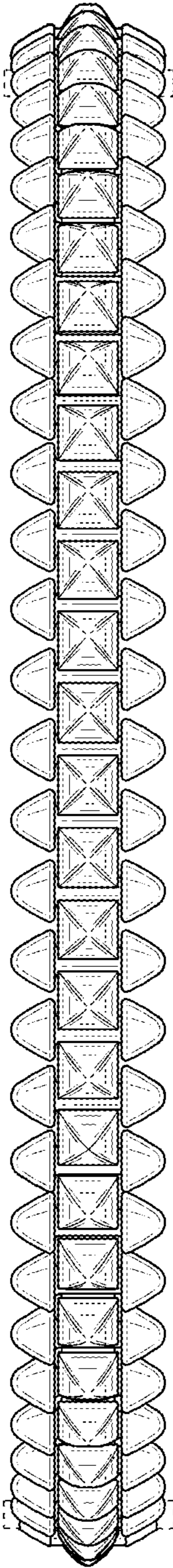


FIG. 1

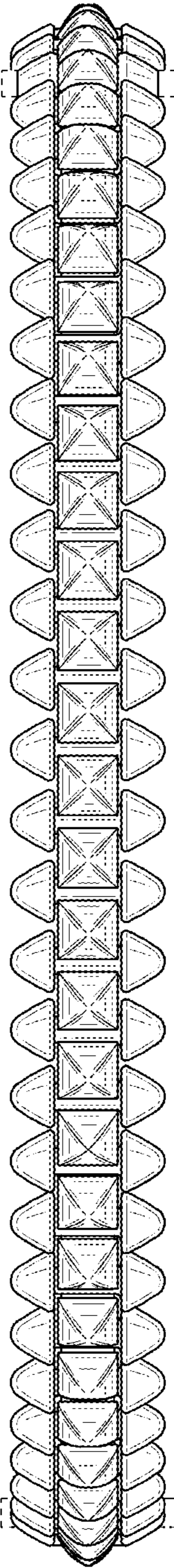


FIG. 2



FIG. 3



FIG. 4

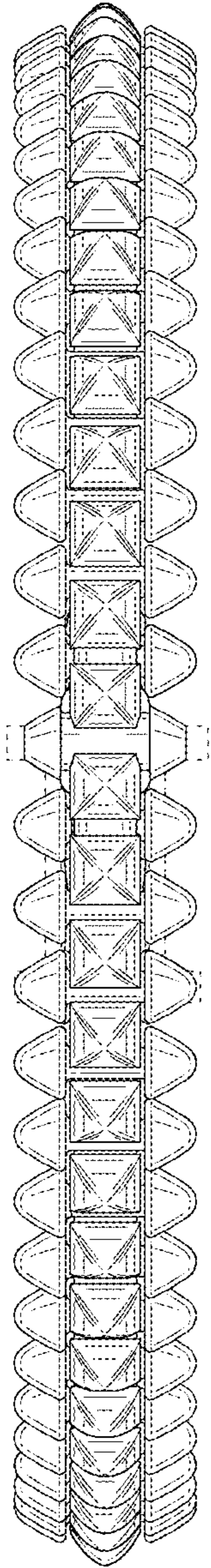


FIG. 5

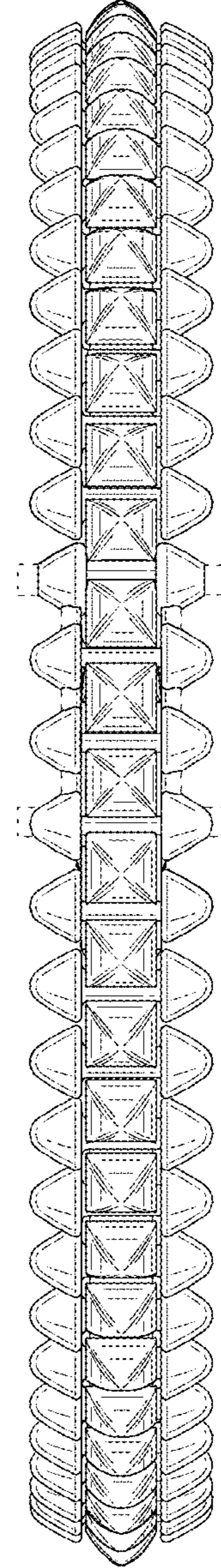


FIG. 6

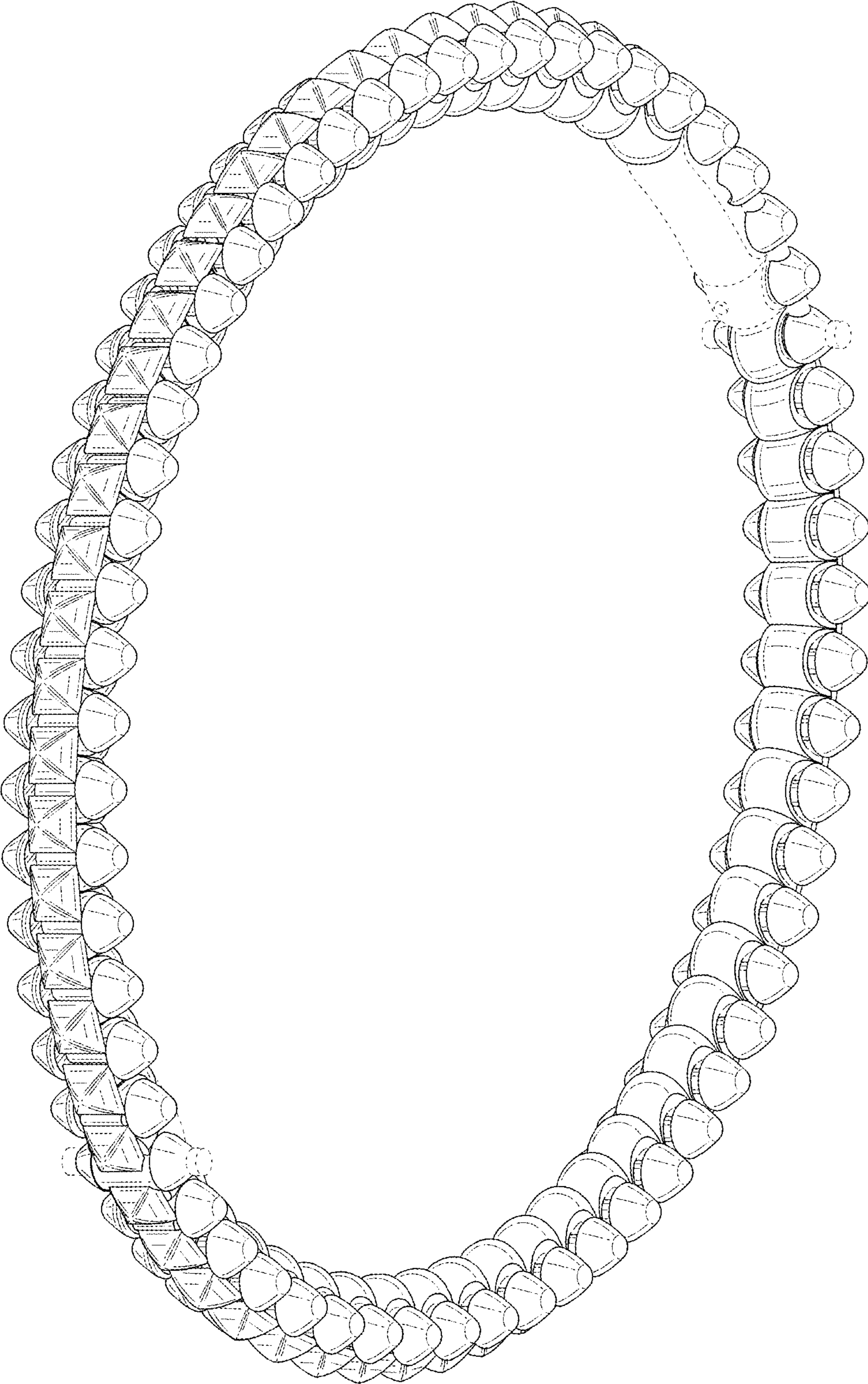


FIG. 7