

US00D943448S

(12) **United States Design Patent**
Huang

(10) **Patent No.:** **US D943,448 S**
(45) **Date of Patent:** **** Feb. 15, 2022**

(54) **WATCH STRAP**

(71) Applicant: **Lixin Huang**, Yongzhou (CN)

(72) Inventor: **Lixin Huang**, Yongzhou (CN)

(**) Term: **15 Years**

(21) Appl. No.: **29/748,549**

(22) Filed: **Aug. 31, 2020**

(51) **LOC (13) Cl.** **11-01**

(52) **U.S. Cl.**
USPC **D11/3**

(58) **Field of Classification Search**
USPC D11/1-6; D10/30-33, 38, 70; D14/344
CPC A44C 5/00; A44C 5/0007; A44C 5/0015;
A44C 5/0053; A44C 5/12; A44C 5/16;
A44C 5/2052; G06F 1/163
See application file for complete search history.

(56) **References Cited**

U.S. PATENT DOCUMENTS

D462,336 S *	9/2002	Chaiken	D10/31
D548,113 S *	8/2007	Burton	D10/32
D549,602 S *	8/2007	Oberrieder	D10/65
D637,506 S *	5/2011	Toyoshima	D10/70
D654,814 S *	2/2012	Kumano	D10/32
D727,197 S *	4/2015	Akana	D11/3
D727,198 S *	4/2015	Akana	D11/3
D793,271 S	8/2017	Cerrato		
D794,492 S	8/2017	Arrow et al.		
D800,007 S	10/2017	Tibi		
D837,206 S *	1/2019	Guan	D14/344
D874,298 S *	2/2020	Xie	D10/32
D879,646 S *	3/2020	Lin	D11/3
D881,060 S *	4/2020	Wang	D11/3
D889,459 S *	7/2020	Zhang	D14/344
D909,369 S *	2/2021	Wu	D14/344

OTHER PUBLICATIONS

Nofeda Slim Band Compatible with Apple Watch, for sale since at least May 19, 2020 on www.Amazon.com, online. URL: <"https://

www.amazon.com/Nofeda-Compatible-Silicone-Breathable-Replacement/dp/B088TNK7PH/"> (Year: 2020).*
Sports Silicone Strap Band For Apple Watch, earliest date available Dec. 31, 2018, eBay.com, online. URL:<"https://www.ebay.com/itm/113506859345/"> (Year: 2018).*
Wearlizer Brown Leather Compatible with Apple Watch, for sale since at least Dec. 31, 2018 on www.Amazon.com, online. URL:<"https://www.amazon.com/Wearlizer-Compatible-Triangle-Wristband-Replacement/dp/B07LGVMBD4/"> (Year: 2018).*
OULUOQI Compatible with Apple Watch Band, for sale on Amazon.com since at least Jul. 1, 2019, online. Site visited on: Jun. 10, 2021. URL:<"https://www.amazon.com/OULUOQI-Compatible-Leather-Replacement-iWatch/dp/B07TV17H4B/"> (Year: 2019).*
LEOMARON Slim Band Compatible with Apple Watch, for sale on Amazon.com since at least Apr. 30, 2020, online. Site visited on: Jun. 10, 2021. URL:<"https://www.amazon.com/LEOMARON-Compatible-Breathable-Wristband-Turquoise/dp/B087X556DF/"> (Year: 2020).*

* cited by examiner

Primary Examiner — Llorellys Martinez

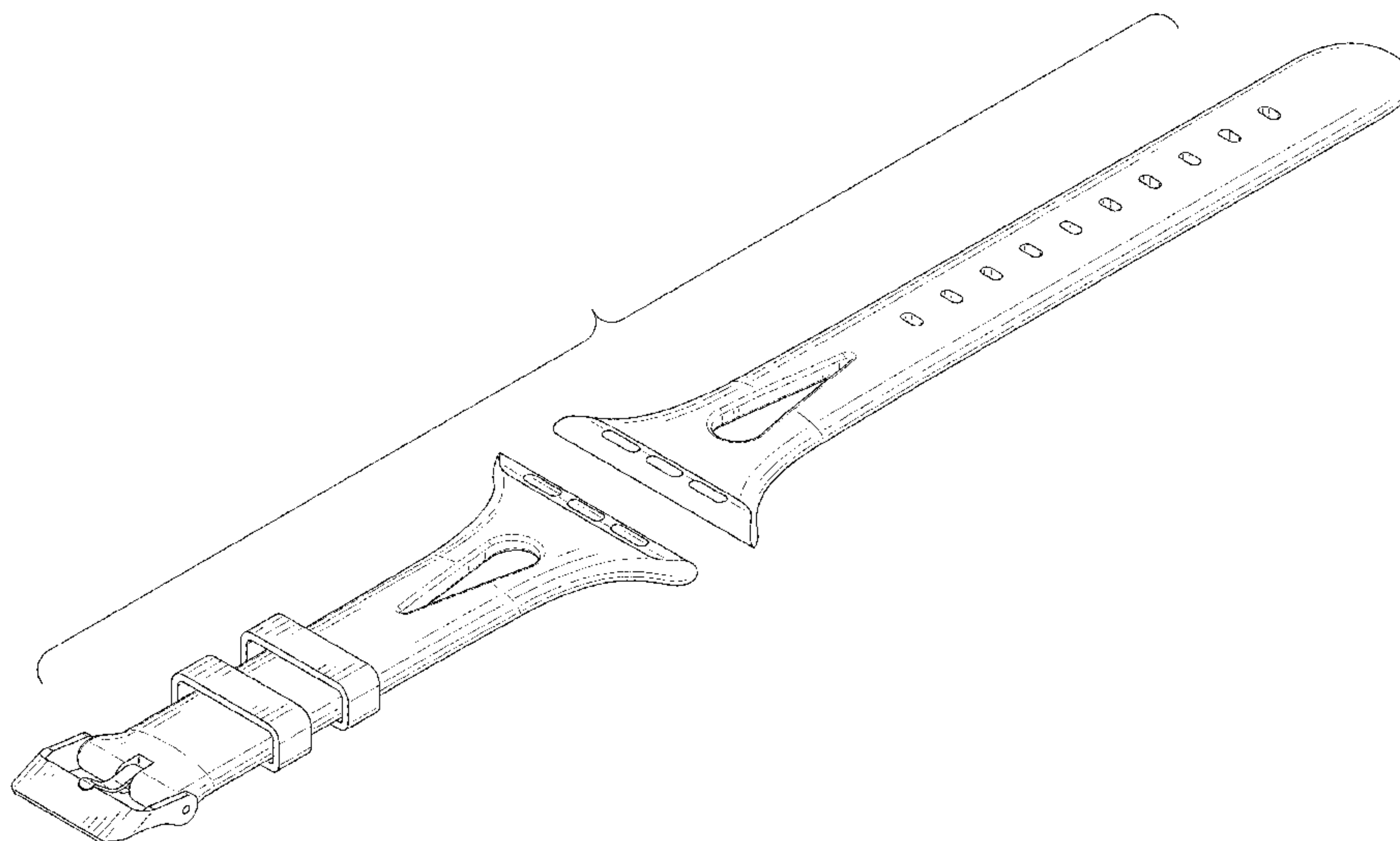
(57) **CLAIM**

The ornamental design for a watch strap, as shown and described.

DESCRIPTION

FIG. 1 is a perspective view of a watch strap showing my new design;
FIG. 2 is another perspective view thereof;
FIG. 3 is a front elevational view thereof;
FIG. 4 is a rear elevational view thereof;
FIG. 5 is a left side elevational view thereof;
FIG. 6 is a right side elevational view thereof;
FIG. 7 is a top plan view thereof; and,
FIG. 8 is a bottom plan view thereof.

1 Claim, 8 Drawing Sheets



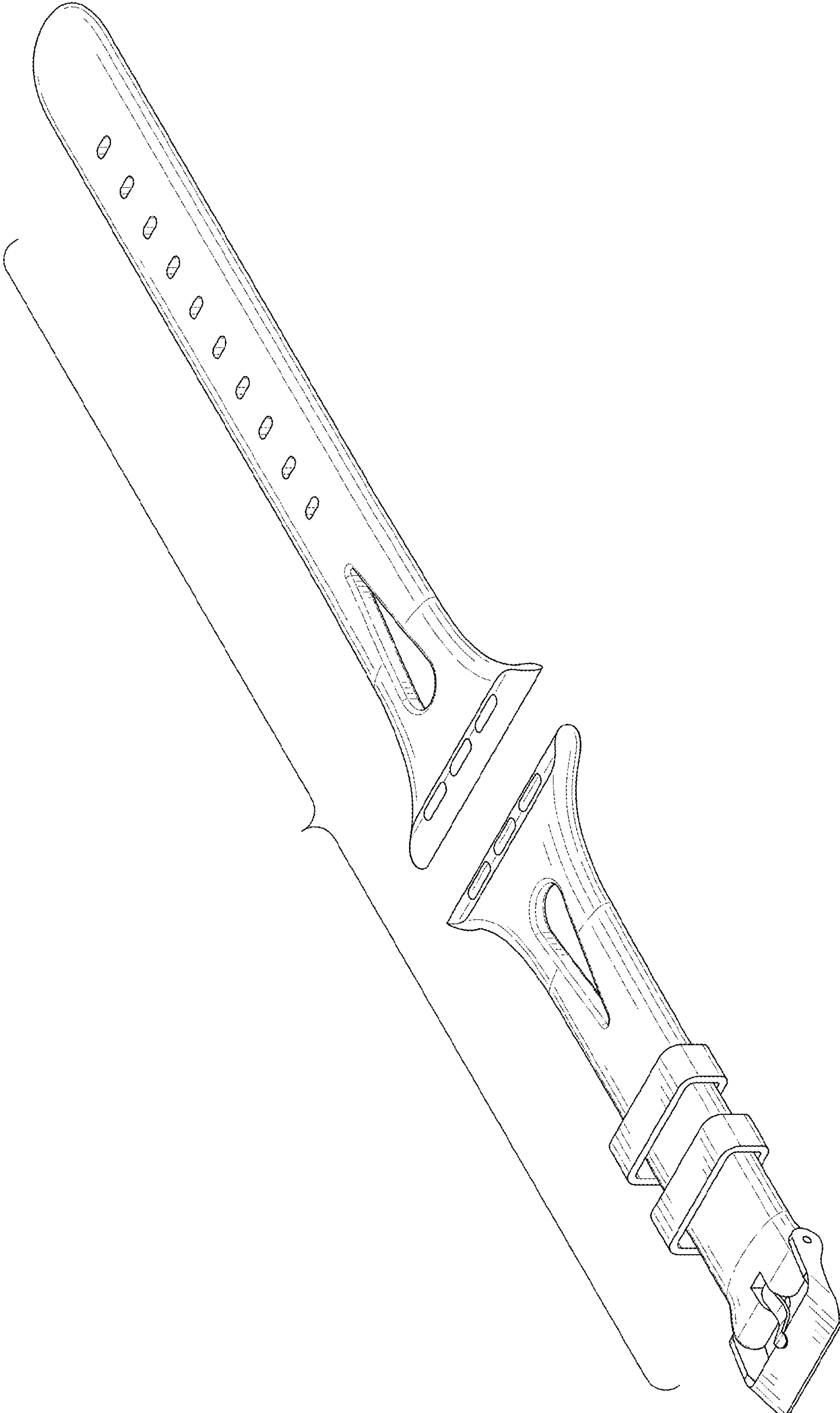


FIG. 1

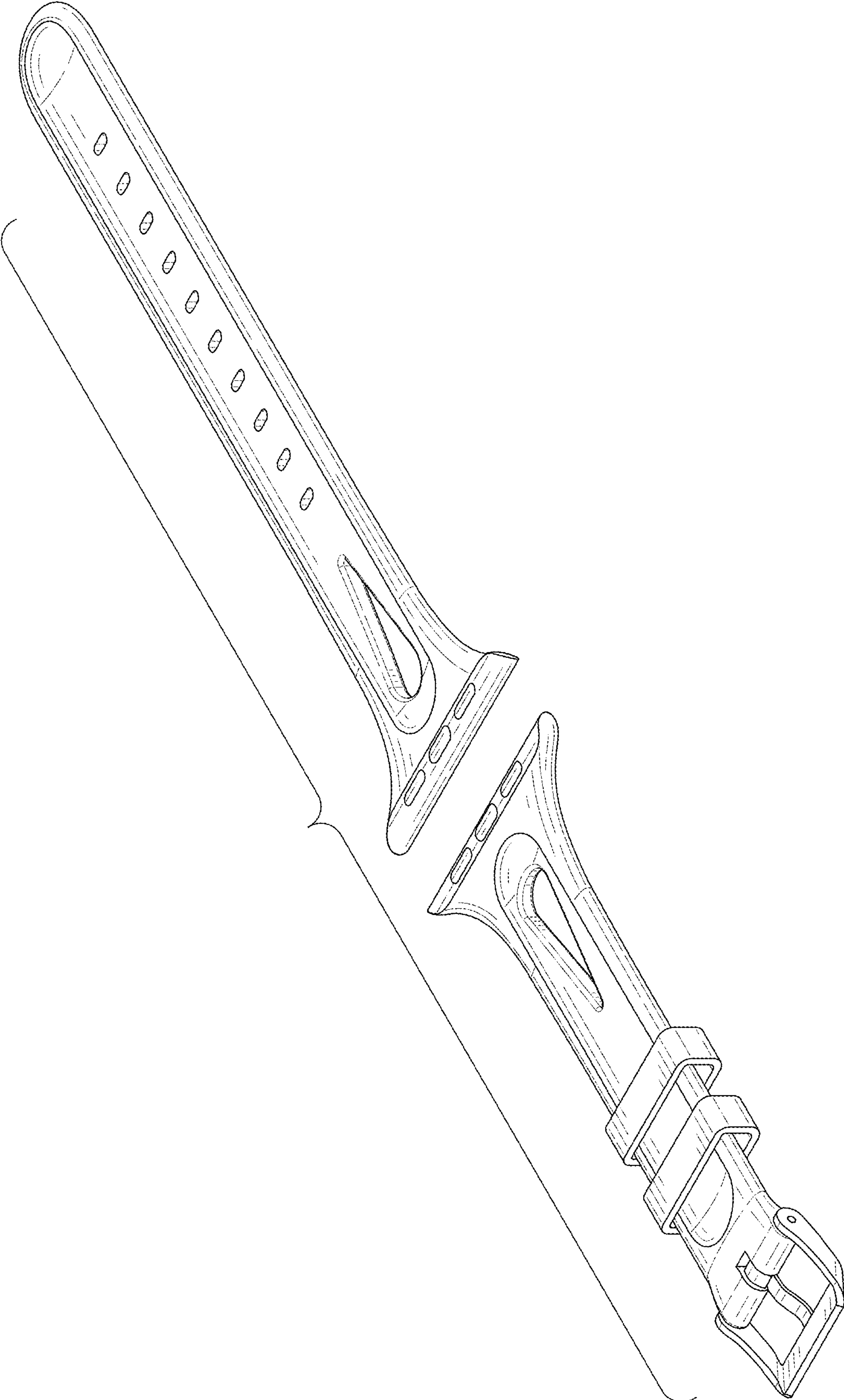


FIG. 2

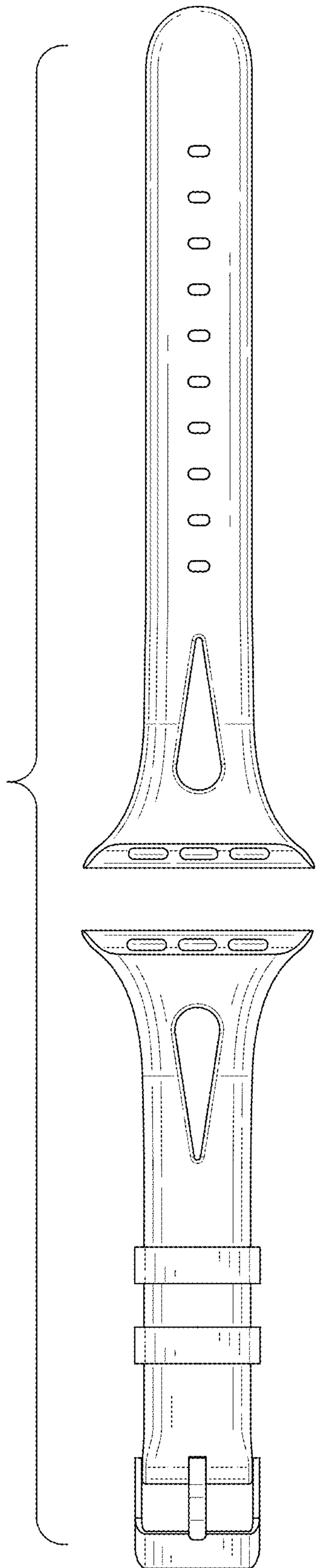


FIG. 3

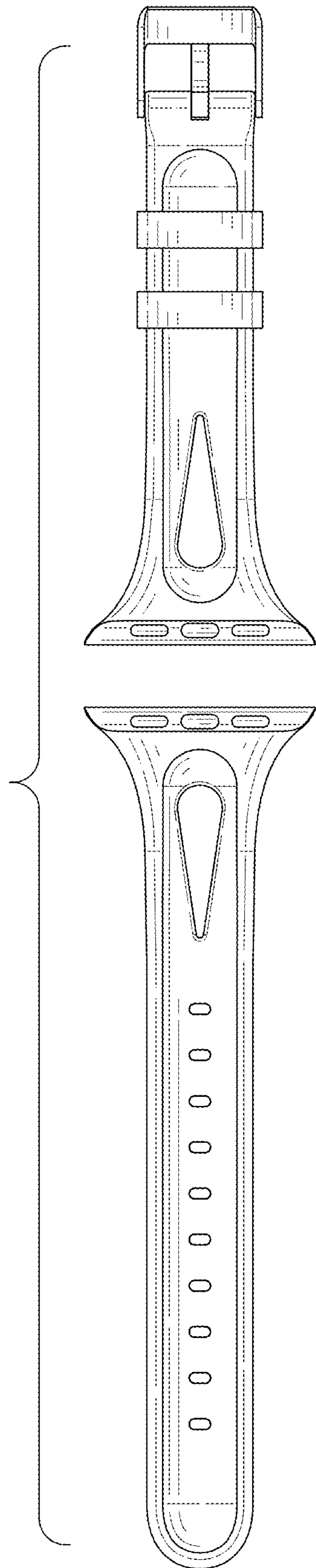


FIG. 4

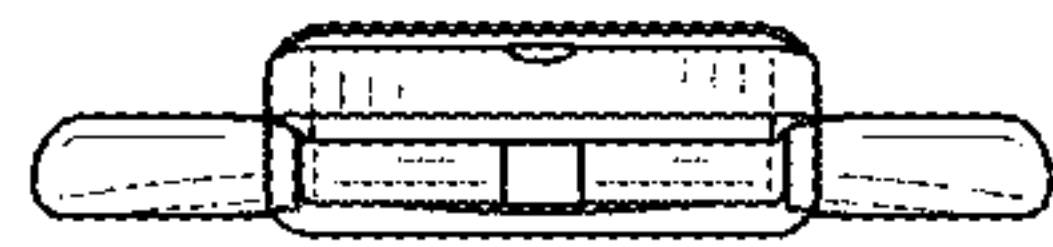


FIG. 5

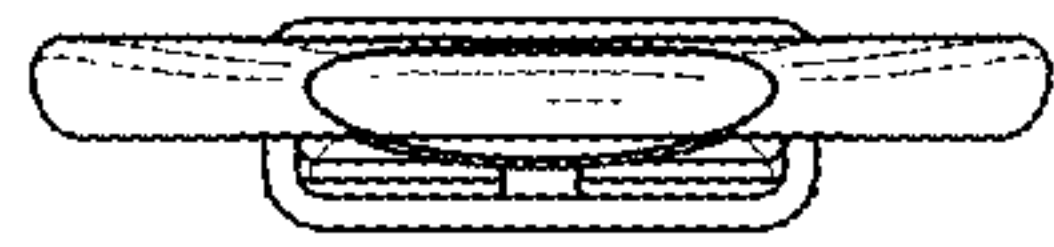


FIG. 6

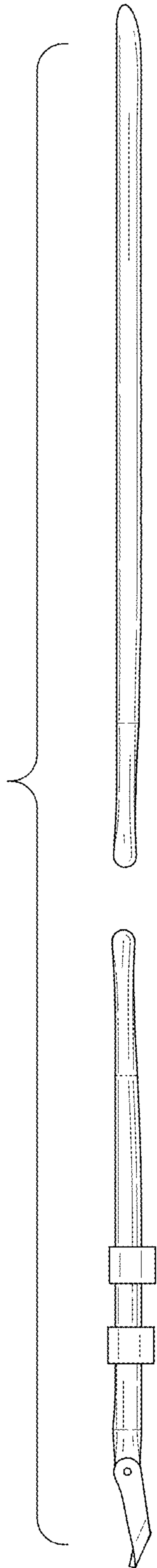


FIG. 7

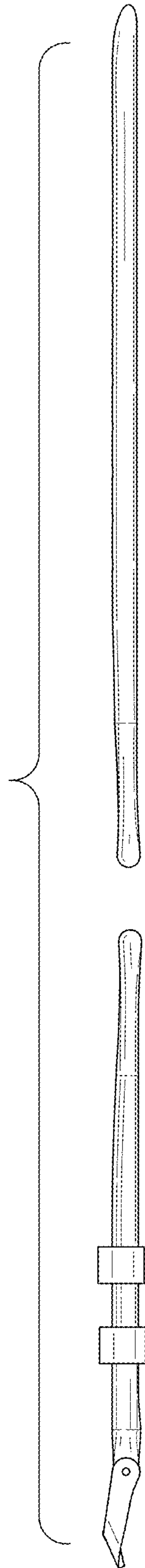


FIG. 8