



US00D943444S

(12) **United States Design Patent** (10) **Patent No.:** **US D943,444 S**  
**Lan** (45) **Date of Patent:** **\*\* Feb. 15, 2022**

(54) **SIGNAL DETECTOR**

OTHER PUBLICATIONS

(71) Applicant: **Jinhe Lan**, Guangdong (CN)

Mundo Mallet, Environmental Scan K18 50MHz RF Detector at 8GHz, YouTube.com, Sep. 23, 2018. Retrieved from the internet on Aug. 9, 2021 <URL: https://youtu.be/8EmJ6EXfHHM> (Year: 2018).\*

(72) Inventor: **Jinhe Lan**, Guangdong (CN)

(\*\*) Term: **15 Years**

\* cited by examiner

(21) Appl. No.: **29/715,662**

*Primary Examiner* — Joseph Kukella

(22) Filed: **Dec. 4, 2019**

(57) **CLAIM**

(51) **LOC (13) Cl.** ..... **10-05**

The ornamental design for a signal detector, as shown and described.

(52) **U.S. Cl.**

USPC ..... **D10/104.1**

(58) **Field of Classification Search**

**DESCRIPTION**

USPC ..... D10/75–80, 103, 104.1, 106.1–106.95;  
D13/184; D14/356, 357, 358

CPC ..... H04M 11/04; H05K 5/03

See application file for complete search history.

FIG. 1 is a front elevational view of a signal detector showing my new design;  
FIG. 2 is a rear elevational view thereof;  
FIG. 3 is a left side view thereof;  
FIG. 4 is a right side view thereof;  
FIG. 5 is a top plan view thereof;  
FIG. 6 is a bottom plan view thereof;  
FIG. 7 is a perspective view thereof;  
FIG. 8 is another perspective view thereof;  
FIG. 9 is a front elevational view in the state of use; and,  
FIG. 10 is an enlarged view of portion 10 shown in FIG. 9. The long dash-short dash broken lines depict the bounds of the enlarged view of the status display screen and do not form part of the claimed design. The dash-dash broken line depict portions of the signal detector that form no part of the claimed design.

(56) **References Cited**

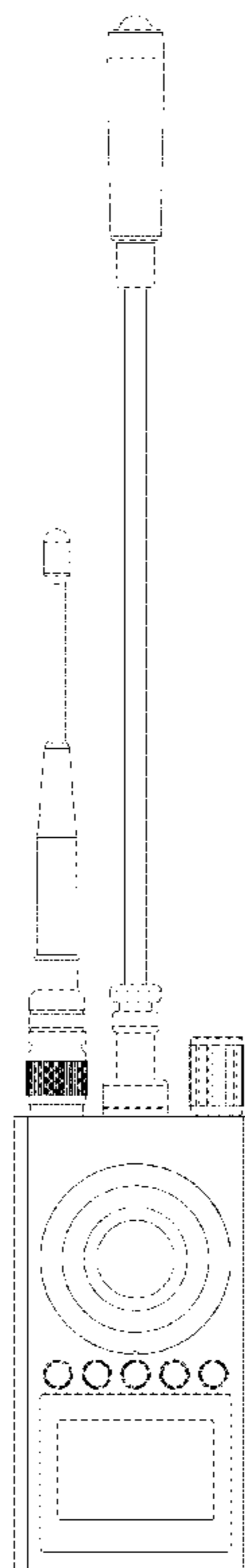
U.S. PATENT DOCUMENTS

D290,586 S *	6/1987	Moore	.....	D10/46
D308,832 S *	6/1990	Shields, Jr.	.....	D10/78
D362,639 S *	9/1995	Arnoux	.....	D10/79
D625,210 S *	10/2010	Chen	.....	D10/78
D721,349 S *	1/2015	Sugai	.....	D14/159
D777,050 S *	1/2017	Will	.....	D10/104.1
D881,049 S *	4/2020	Zhu	.....	D10/78
D922,230 S *	6/2021	Lan	.....	D10/104.1
D924,706 S *	7/2021	Lan	.....	D10/78

FOREIGN PATENT DOCUMENTS

CN 304973353 \* 9/2019

**1 Claim, 9 Drawing Sheets**



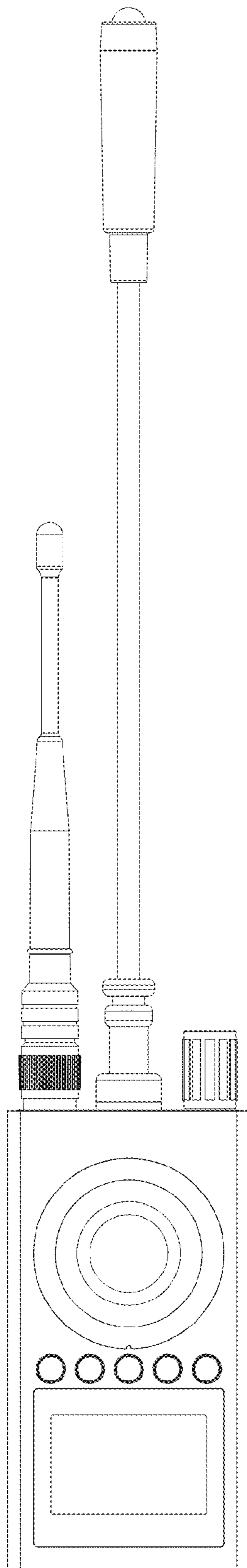


Fig. 1

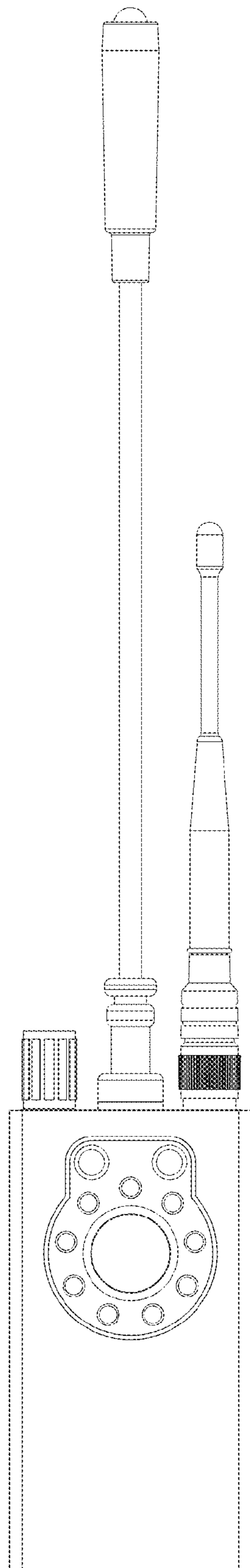


Fig. 2

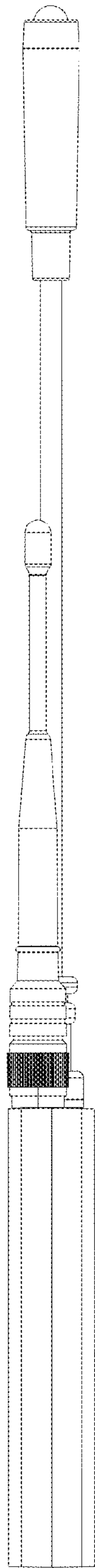


Fig. 3

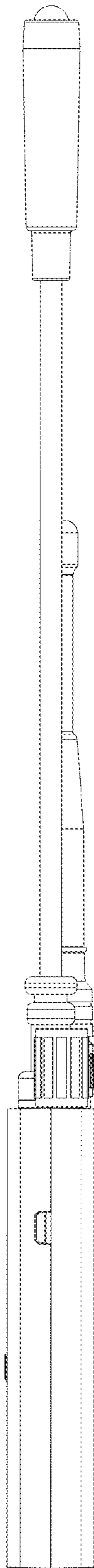


Fig. 4

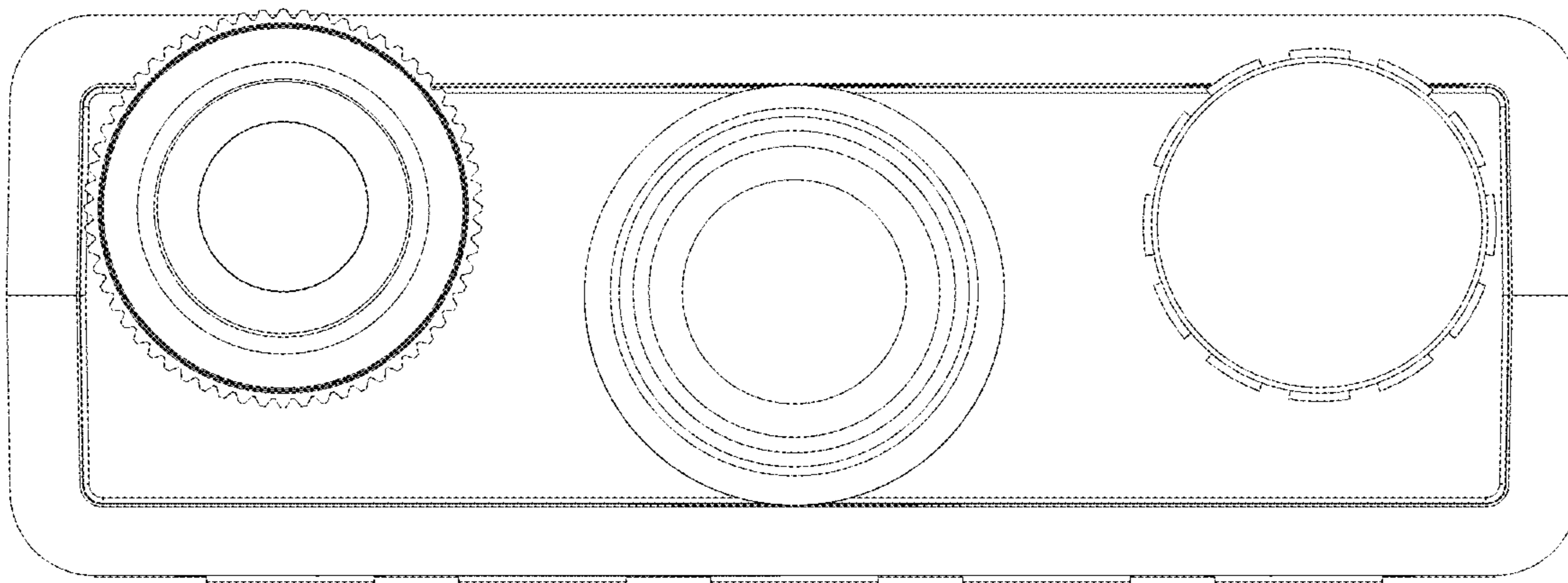


Fig. 5

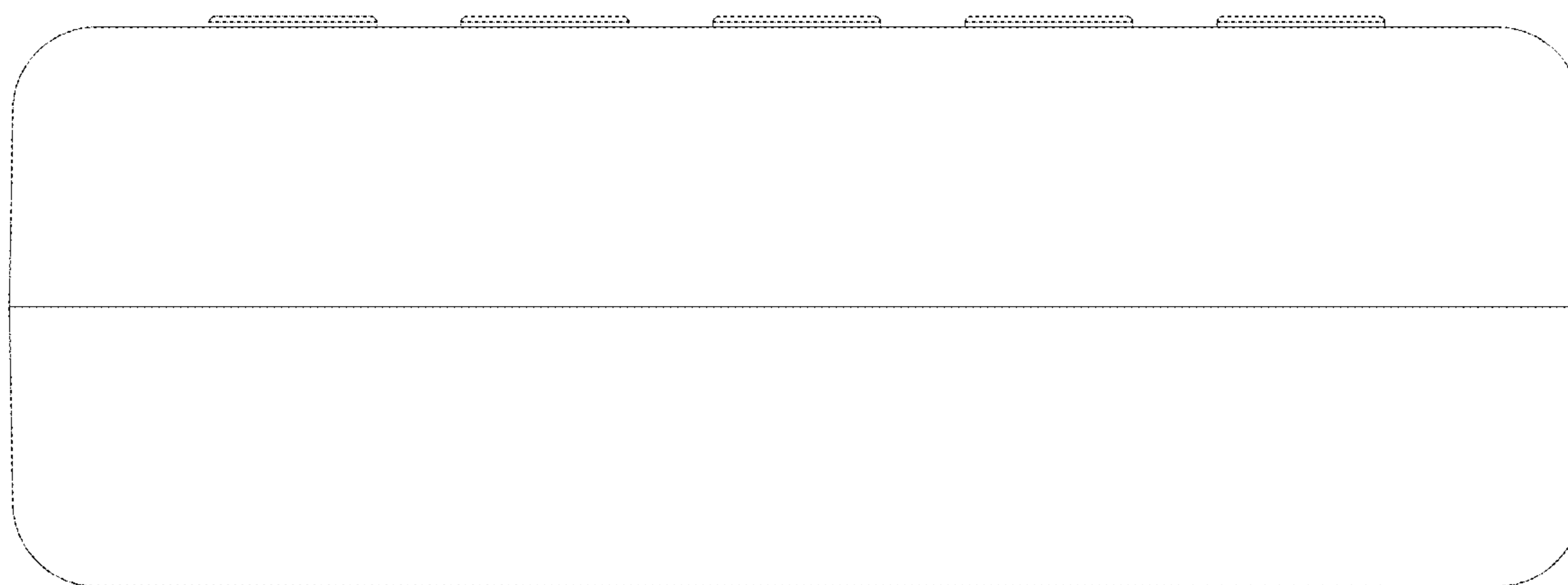


Fig. 6

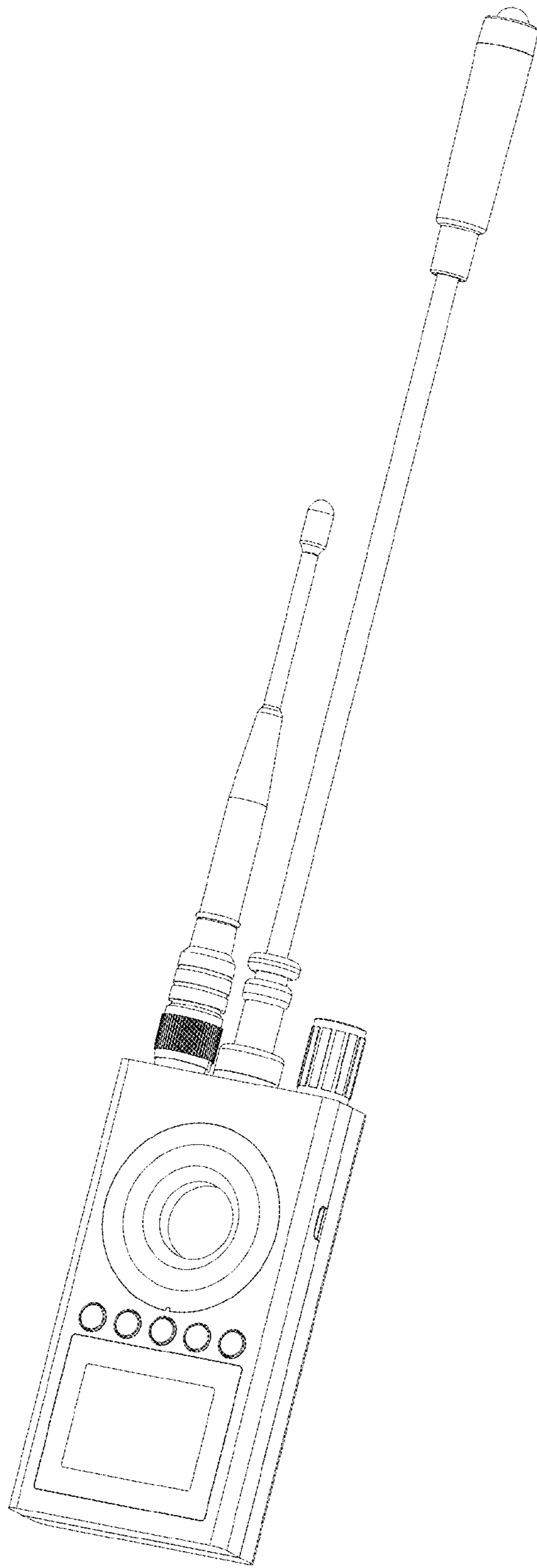


Fig. 7

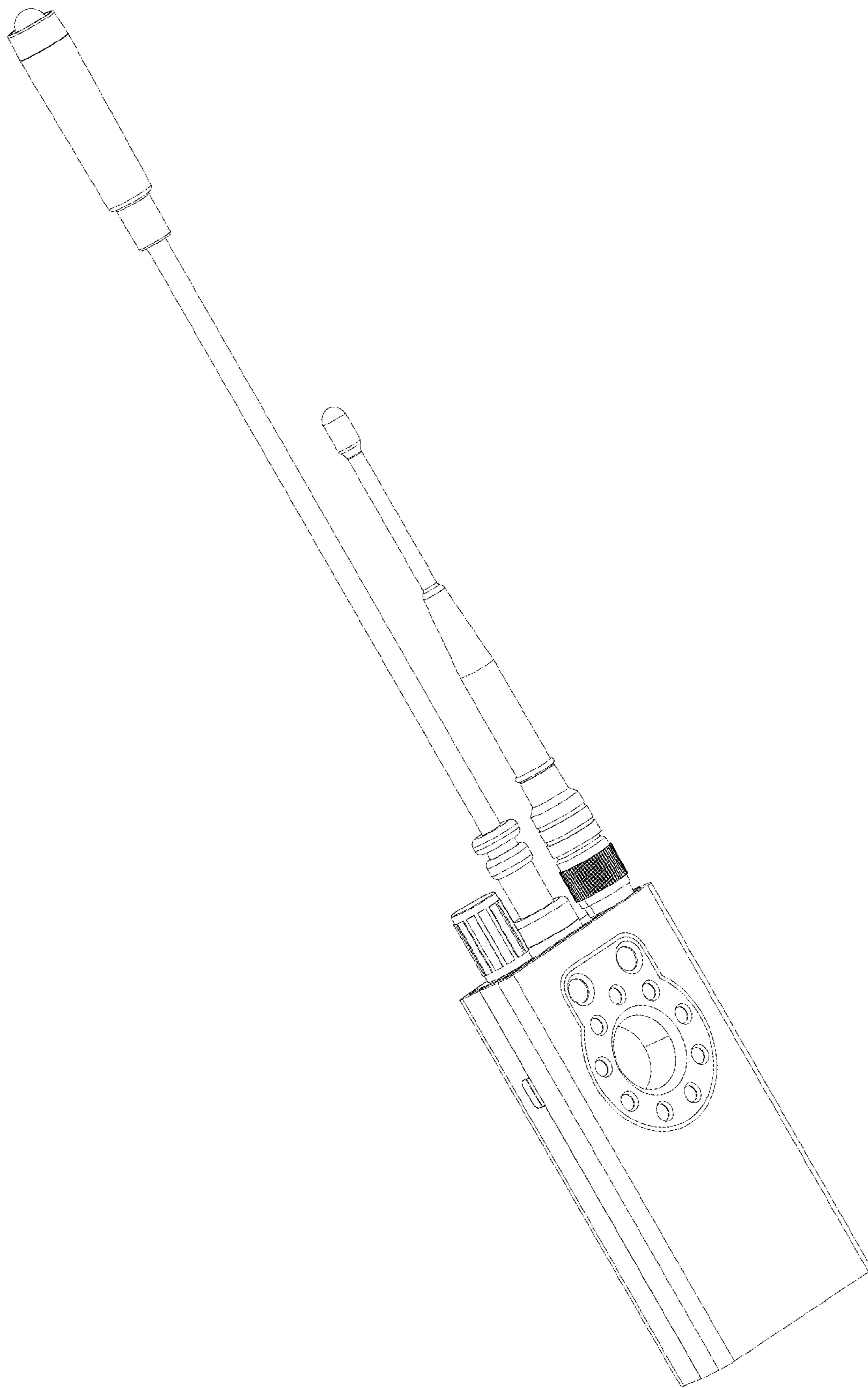


Fig. 8



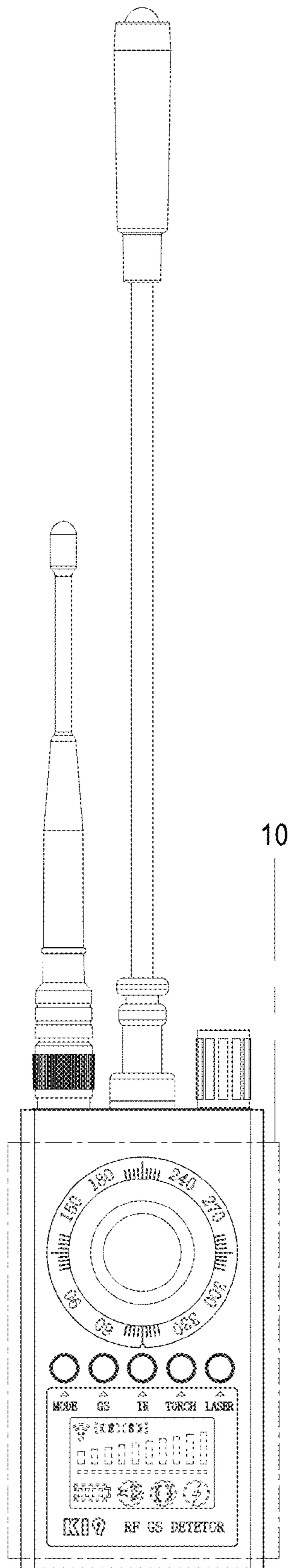


Fig. 9

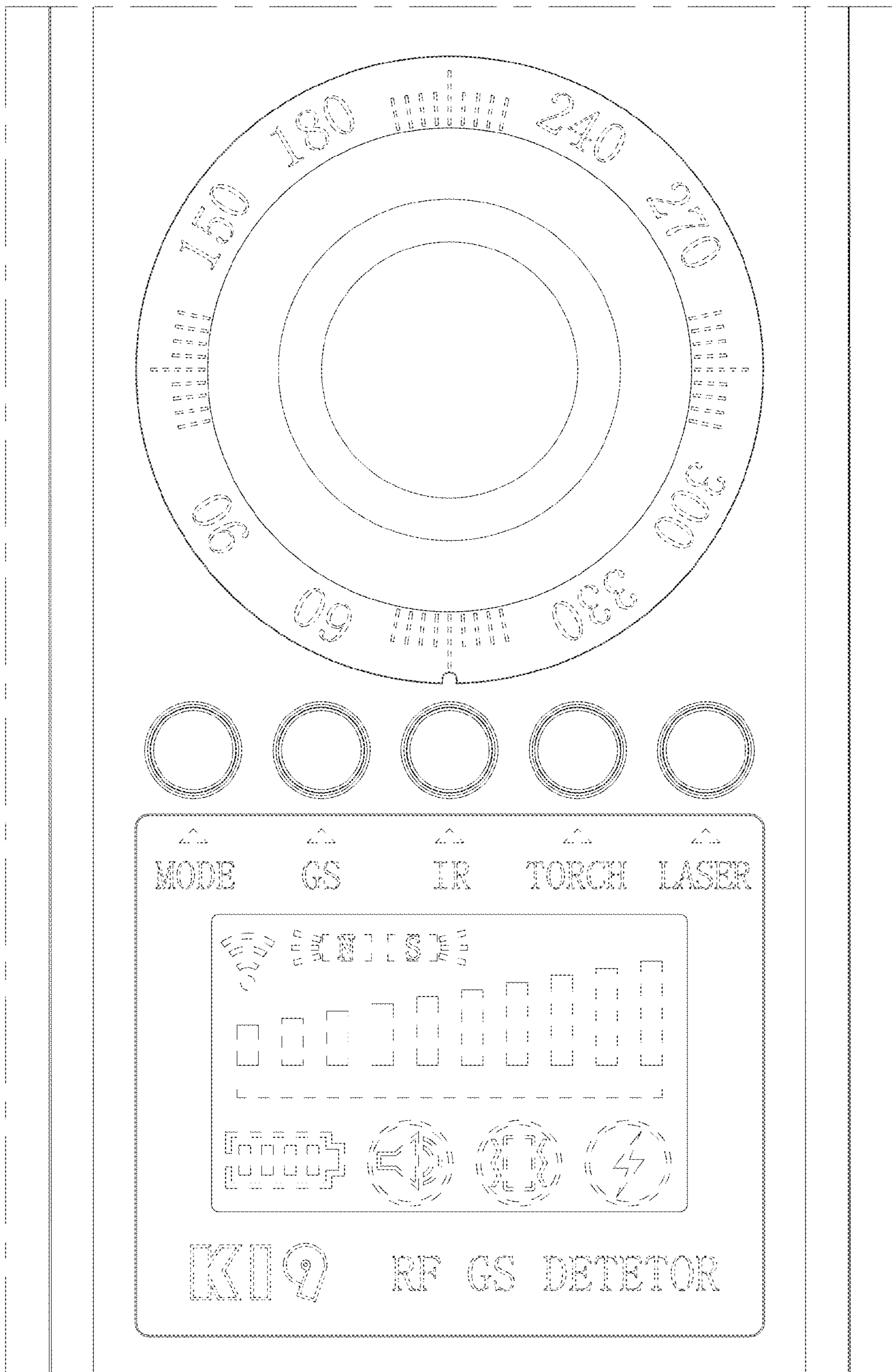


Fig. 10