



US00D943443S

(12) **United States Design Patent** (10) **Patent No.:** **US D943,443 S**
Asano et al. (45) **Date of Patent:** **** *Feb. 15, 2022**

(54) **DIGITAL DIAL GAUGE**

(71) Applicant: **MITUTOYO CORPORATION**,
Kanagawa (JP)

(72) Inventors: **Yoshiro Asano**, Tokyo (JP); **Shigeru Ohtani**, Kawasaki (JP); **Yuhei Takatsu**, Kawasaki (JP); **Hiroyuki Watanabe**, Ena (JP)

(73) Assignee: **MITUTOYO CORPORATION**,
Kawasaki (JP)

(*) Notice: This patent is subject to a terminal disclaimer.

(**) Term: **15 Years**

(21) Appl. No.: **29/715,776**

(22) Filed: **Dec. 4, 2019**

(30) **Foreign Application Priority Data**

Jun. 10, 2019 (JP) 2019-012715

(51) **LOC (13) Cl.** **10-04**

(52) **U.S. Cl.**
USPC **D10/102**

(58) **Field of Classification Search**
USPC D10/96-103, 46, 47, 85, 86, 80-82,
D10/75-79, 61, 65, 67, 106.91, 106.9,
D10/106.4

CPC G01D 5/2415; G01D 13/00; G01D 13/10;
G01D 11/24; G01B 5/207; G01B 3/22;
G06F 7/4983; G06F 3/04842; G06F
15/0275; G06F 3/03545; G06F 3/0482;
G06F 3/04847; G01L 19/14; G01L
19/0023; G01L 19/143; G01L 19/0092;
G01L 19/086; Y10S 33/06; G09G
2340/145; G01F 1/26; G01F 23/02; G01F

(Continued)

(56) **References Cited**

U.S. PATENT DOCUMENTS

2,210,435 A * 8/1940 Christian G01B 3/22
33/556

D300,009 S * 2/1989 Takahashi D10/73
(Continued)

FOREIGN PATENT DOCUMENTS

CN 303976970 * 8/2016
CN 305417869 * 4/2019

(Continued)

OTHER PUBLICATIONS

Mitutoyo Store, IDC Digimatic Indicator, Date first available Nov. 3, 2009, [online]retrieved Sep. 15, 2021 ,available from https://www.amazon.com/dp/B002SG7QVK/ref=sspa_dk_detail_4?psc=1&pd_rd_i=B002SG7QVKp13NParams&spLa=ZW5jcnlwdGVkUXVhbGlmaWVyPUE5U1RBWUpCQ0tLMkomZW5jcnlwdGVkS (Year: 2009).*

(Continued)

Primary Examiner — Keli L Hill

Assistant Examiner — Sara S Sahneh

(74) *Attorney, Agent, or Firm* — Oliff PLC

(57) **CLAIM**

The ornamental design for a digital dial gauge, as shown and described.

DESCRIPTION

FIG. 1 is a front, right-side, bottom perspective view of the digital dial gauge;

FIG. 2 is a front elevational view thereof;

FIG. 3 is a rear elevational view thereof;

FIG. 4 is a top plan view thereof;

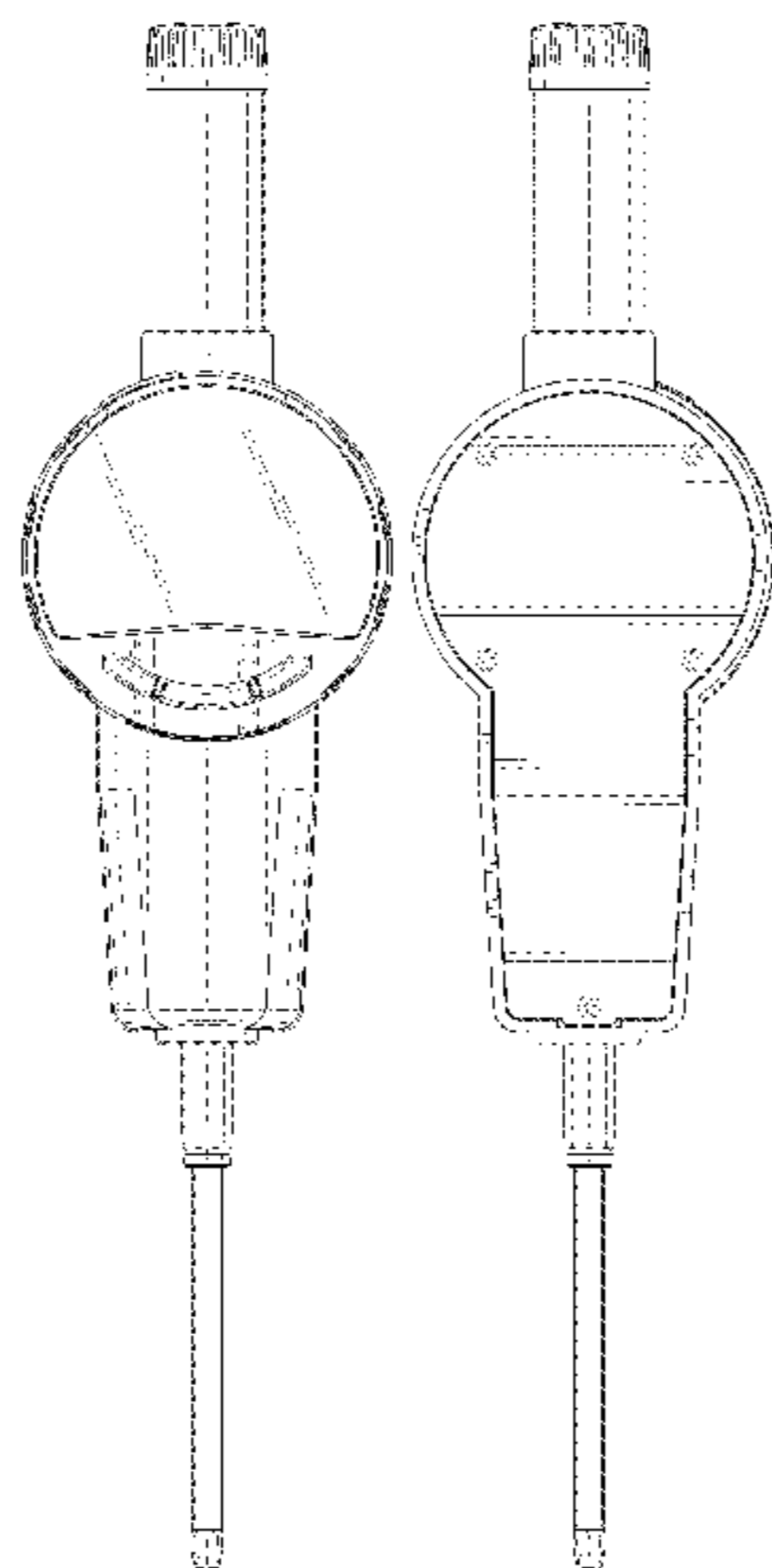
FIG. 5 is a bottom plan view thereof;

FIG. 6 is a left-side elevational view thereof;

FIG. 7 is a right-side elevational view thereof; and,

FIG. 8 is a front, left-side, top perspective view thereof.

(Continued)



The broken lines depict parts of the digital dial gauge that form no part of the claimed design.

1 Claim, 5 Drawing Sheets

(58) Field of Classification Search

CPC 1/28; G01F 1/05; G01F 15/06; G01F 23/0015; G01F 1/22; G01F 1/06; G01F 1/08; B60P 3/228; B60P 3/2265; G01P 5/24; G01P 15/00; G01P 1/06; G01K 13/00; G01K 1/024; G05D 7/0635; H04L 2012/2841; H04L 12/2827; H04L 2012/285

See application file for complete search history.

(56) References Cited

U.S. PATENT DOCUMENTS

5,979,069	A *	11/1999	Hayashida	G01B 3/22 33/556
D588,030	S *	3/2009	Ohtani	D10/85
D592,085	S	5/2009	Ohtani et al.	
D592,086	S	5/2009	Ohtani et al.	
D592,087	S *	5/2009	Ohtani	D10/102
D653,572	S *	2/2012	Ohtani	D10/102
8,689,628	B2 *	4/2014	Arai	G01D 11/24 73/431
D747,988	S *	1/2016	Matsumiya	D10/85
D790,379	S *	6/2017	Matsumiya	D10/85
D803,082	S *	11/2017	Banschbach	D10/85

2004/0200088	A1 *	10/2004	Ishii	G01B 3/22 33/832
2015/0286354	A1 *	10/2015	Niwano	G01B 3/22 715/831
2018/0031398	A1 *	2/2018	Niwano	G01B 9/00

FOREIGN PATENT DOCUMENTS

CN	306737091	*	4/2021
EM	000949078-0003	*	6/2008
EM	006708715-0004	*	8/2019
JP	D1409380	*	7/2010
JP	D1525003	*	3/2014

OTHER PUBLICATIONS

Mitutoyo Store, Absolute LCD Digimatic Indicator, Date first available Nov. 9, 2004, [online]retrieved Sep. 15, 2021 ,available from https://www.amazon.com/Mitutoyo-543-792-Digimatic-Indicator-Graduation/dp/B0006J3ZX4/ref=sr_1_53?dchild=1&keywords=DIGITAL+DIAL+GAUGE+MITUTOYO&qid=1631727560&s=industrial (Year: 2004).*

Gaging Store, Absolute Digital Indicator,Date first available Dec. 23, 2014, [online]retrieved Sep. 15, 2021,available from https://www.amazon.com/iGaging-35-705-25-Indicator-Conversion-Precision/dp/B00RC9R3KM/ref=pd_di_sccai_21/134-5564337-2927451?pd_rd_w=nCrgo&pf_rd_p=c9443270-b914-4430-a90b-72e3e7 (Year: 2014).*

Gaging Store,Digital Indicator, Date first available Jan. 7, 2021, [online]retrieved Sep. 16, 2021 ,available from https://www.amazon.com/iGaging-Digital-Indicator-Protection-Electronic/dp/B08SGFG4ZJ/ref=pd_di_sccai_14/133-9953152-3452307?pd_rd_w=6laZg&pf_rd_p=c9443270-b914-4430-a90b-72e3e7e784e0&pf_rd_ (Year: 2021).* Design U.S. Appl. No. 29/715,775, filed Dec. 4, 2019 in the name of Yoshiro Asano.

* cited by examiner

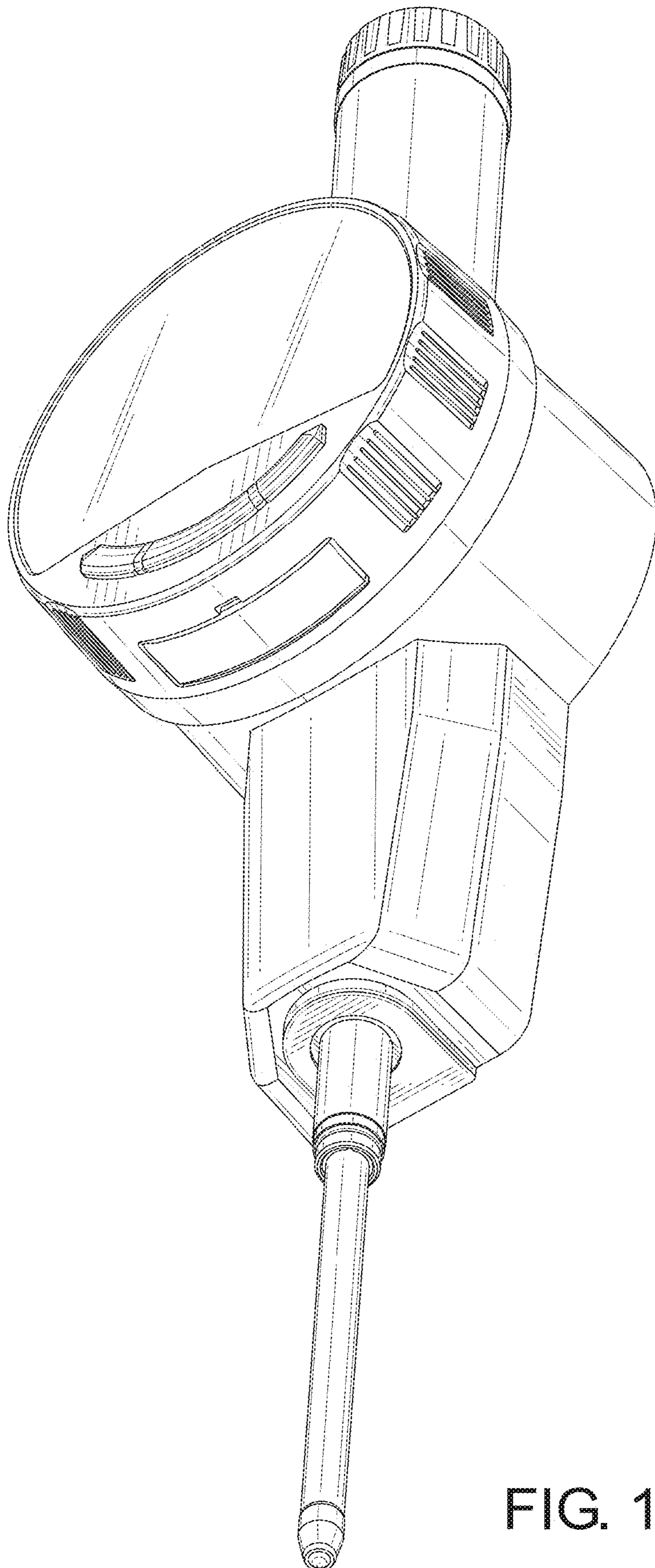


FIG. 1

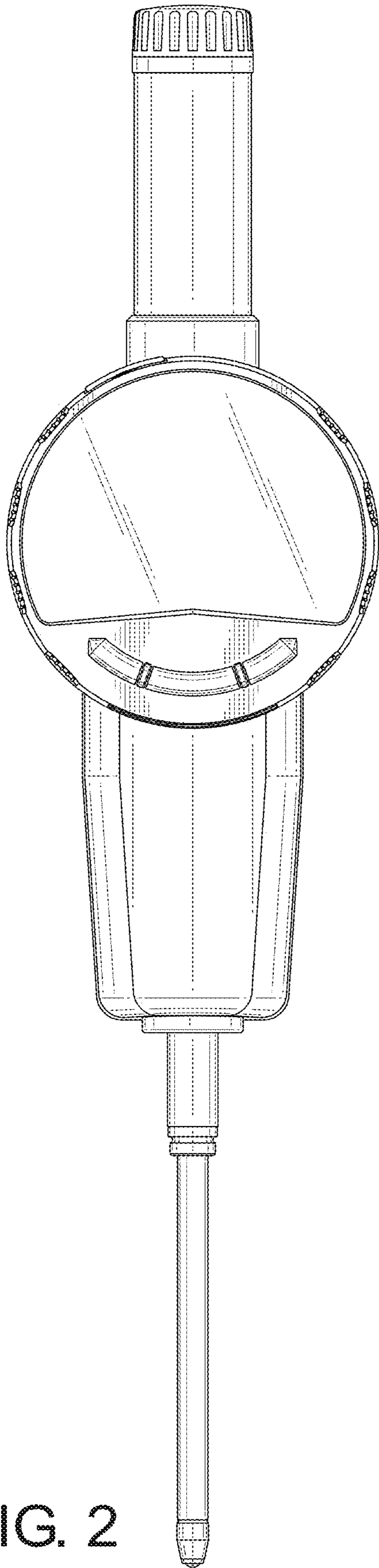


FIG. 2

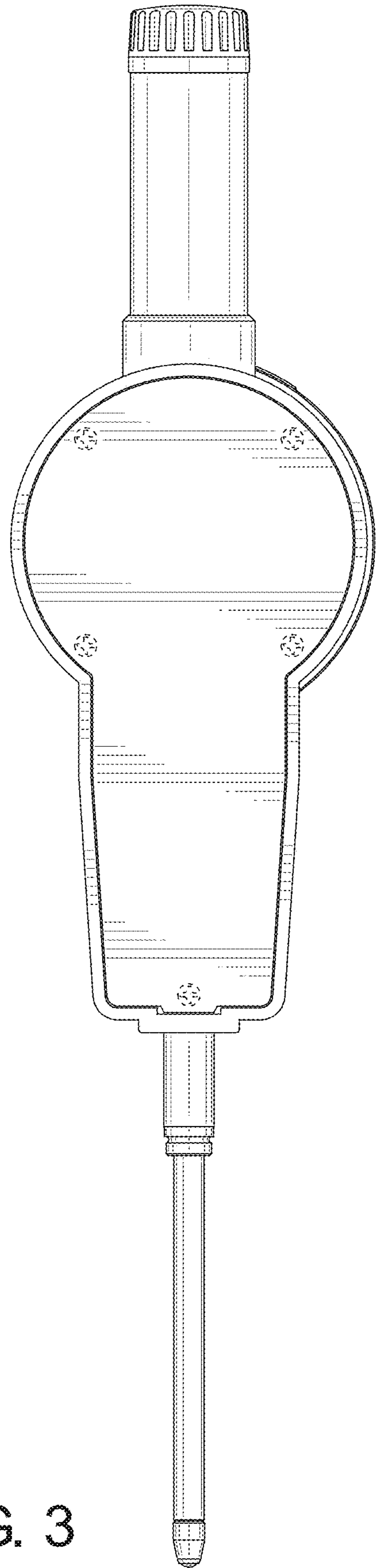


FIG. 3

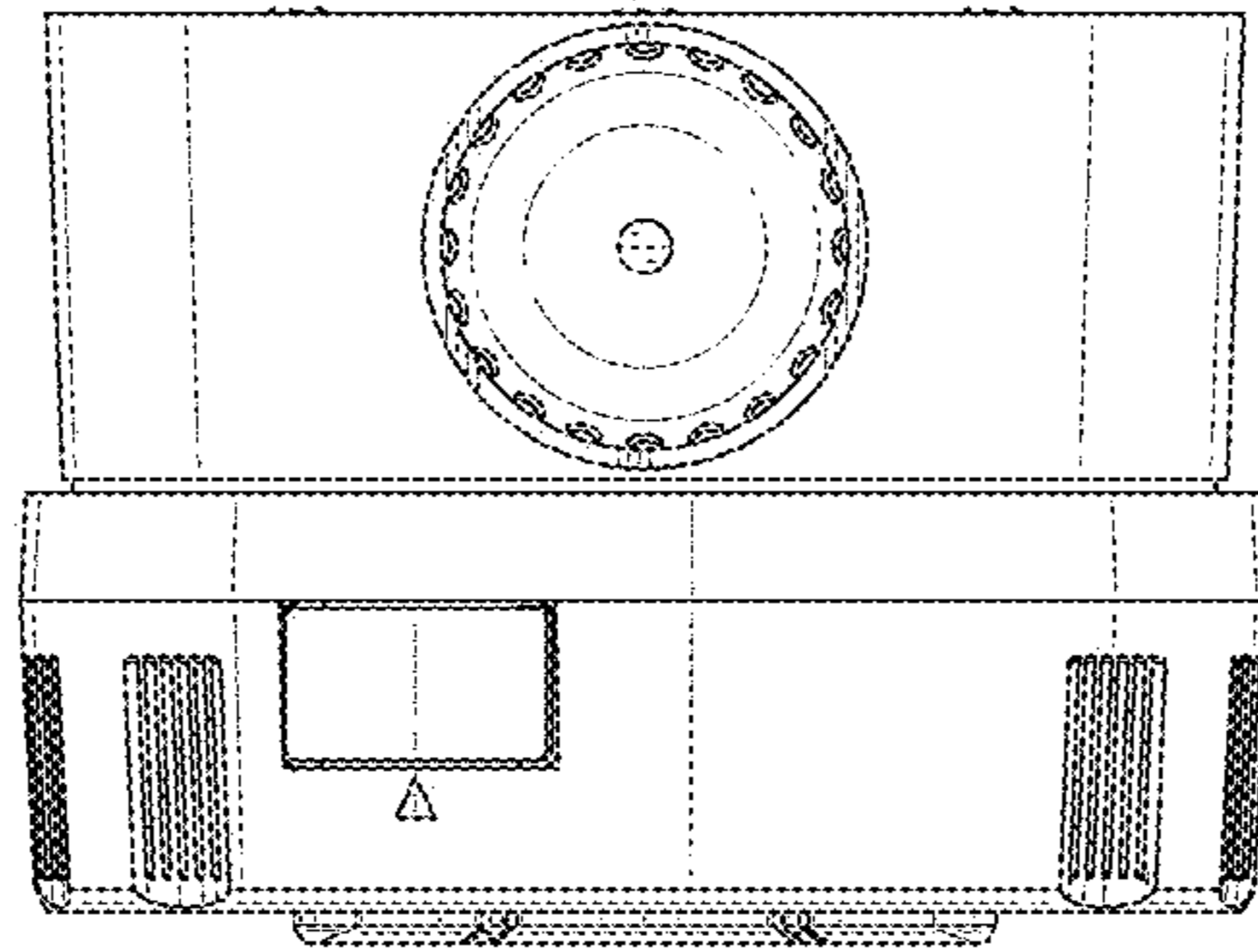


FIG. 4

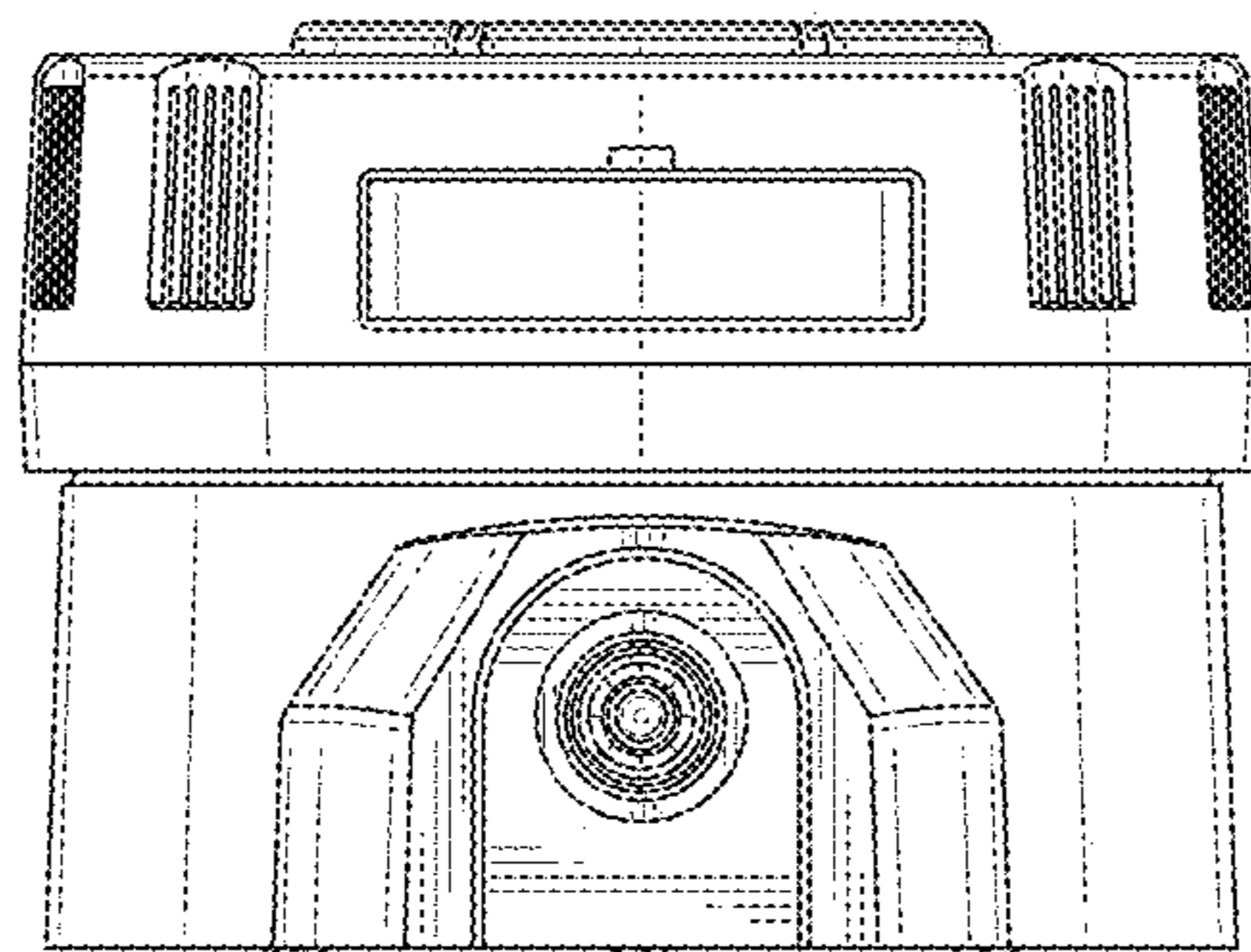


FIG. 5

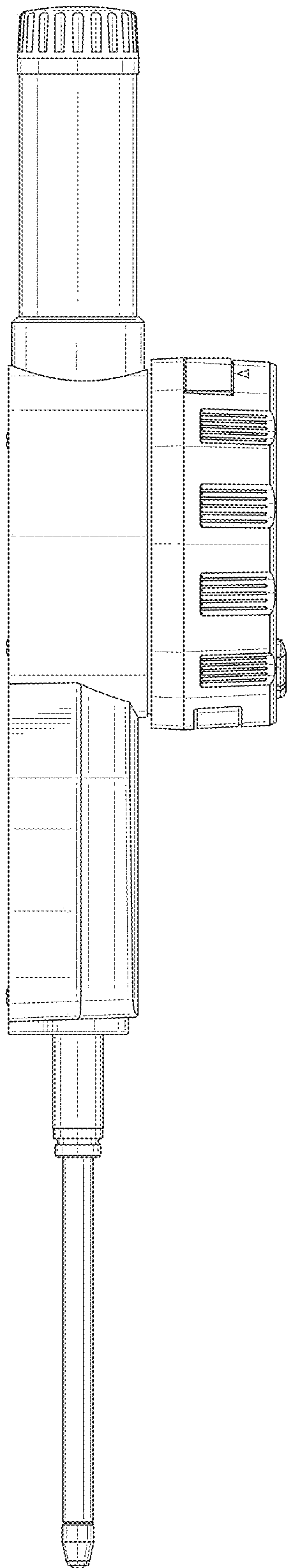


FIG. 6

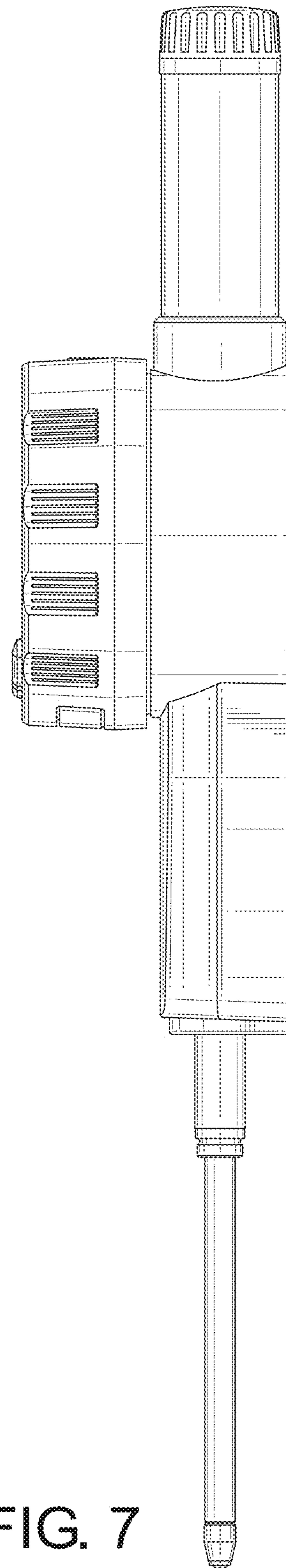


FIG. 7

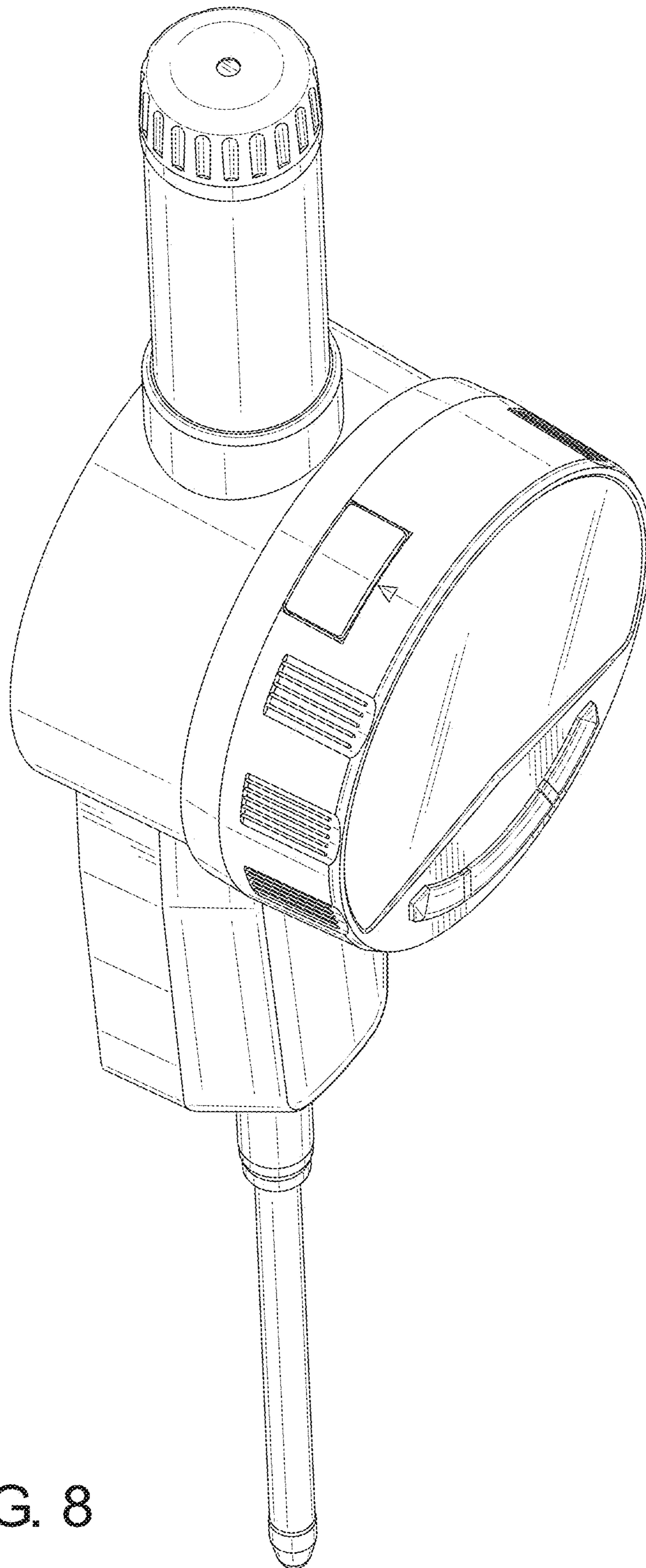


FIG. 8