

US00D943440S

(12) **United States Design Patent**  
**Seimori et al.**

(10) **Patent No.:** **US D943,440 S**

(45) **Date of Patent:** **\*\* Feb. 15, 2022**

(54) **GAS CONCENTRATION DETECTION  
SENSOR**

(71) Applicant: **NGK Insulators, Ltd.**, Nagoya (JP)

(72) Inventors: **Tomoya Seimori**, Nagoya (JP); **Yosuke Adachi**, Nagoya (JP)

(73) Assignee: **NGK Insulators, Ltd.**, Nagoya (JP)

(\*\*) Term: **15 Years**

(21) Appl. No.: **29/720,218**

(22) Filed: **Jan. 10, 2020**

**Related U.S. Application Data**

(62) Division of application No. 29/661,436, filed on Aug. 28, 2018, now Pat. No. Des. 884,523.

(30) **Foreign Application Priority Data**

Mar. 14, 2018 (JP) ..... 2018-005327

Mar. 14, 2018 (JP) ..... 2018-005328

Mar. 14, 2018 (JP) ..... 2018-005338

Mar. 14, 2018 (JP) ..... 2018-005341

(51) **LOC (13) Cl.** ..... **10-04**

(52) **U.S. Cl.**

USPC ..... **D10/81**

(58) **Field of Classification Search**

USPC ..... D10/81

CPC ..... G01D 11/24; G01N 27/16; G01N 27/18;  
G01N 27/185; G01N 33/0006; G01N  
33/0009-33/0075; G01N 1/24; G01N  
1/2205; G01N 1/2273; G01N 2001/2276;  
G01N 27/4077; G01N 27/4078; G08B  
17/10-17/117; G01M 15/102; Y10T  
29/49826

See application file for complete search history.

(56) **References Cited**

U.S. PATENT DOCUMENTS

8,464,573 B2 6/2013 Sekiya et al.

8,806,918 B2 \* 8/2014 Yonezu ..... G01N 27/4077  
73/31.05

9,228,987 B2 \* 1/2016 Shimazaki ..... G01N 27/4077

D755,655 S \* 5/2016 Scott ..... D10/81

9,335,312 B2 5/2016 Kato

D787,903 S \* 5/2017 Atwell ..... D8/14

(Continued)

*Primary Examiner* — Antoine Duval Davis

(74) *Attorney, Agent, or Firm* — Mattingly & Malur, PC

(57) **CLAIM**

The ornamental design for a gas concentration detection sensor, as shown and described.

**DESCRIPTION**

FIG. 1 is an enlarged perspective view of a fourth embodiment of a gas concentration detection sensor showing our new design;

FIG. 2 is a front view thereof;

FIG. 3 is a back view thereof;

FIG. 4 is a top view thereof, the bottom view thereof being a same image;

FIG. 5 is a right view thereof;

FIG. 6 is a left view thereof;

FIG. 7 is an enlarged view thereof indicated in FIG. 1;

FIG. 8 is an enlarged internal-mechanism-omitted end view thereof indicated in FIG. 2;

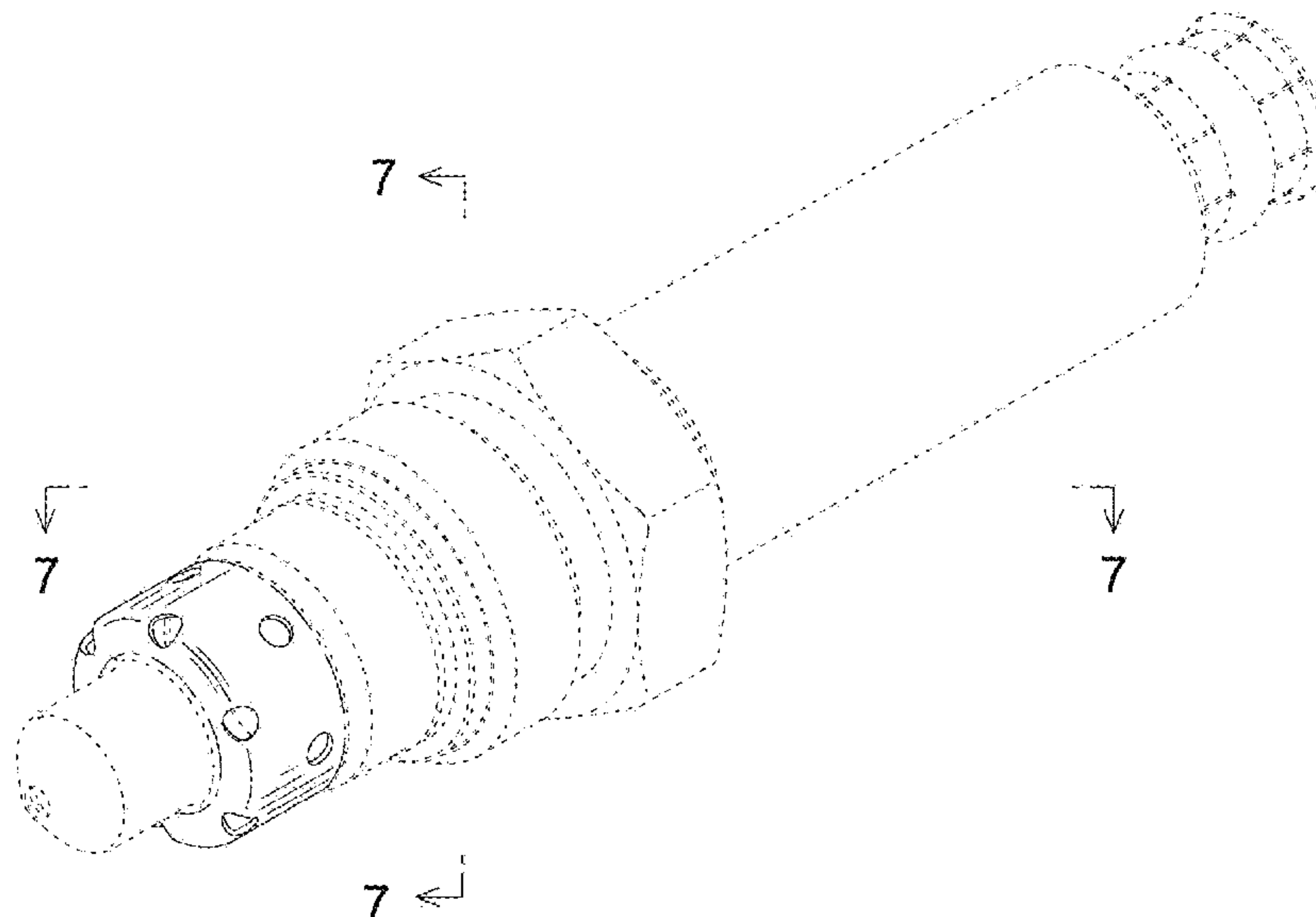
FIG. 9 is an enlarged internal-mechanism-omitted end view thereof indicated in FIG. 2; and,

FIG. 10 is an enlarged partial internal-mechanism-omitted end view thereof indicated in FIG. 2 and FIG. 6.

The broken lines shown in the figures are for illustrative purposes only and form no part of the claimed design.

The dot-dash broken lines shown in the figures are to indicate a boundary between a claimed design and disclaimed portion, and those are not a part of a claimed design or disclaimed portion.

**1 Claim, 10 Drawing Sheets**



(56)

**References Cited**

U.S. PATENT DOCUMENTS

9,714,895	B2 *	7/2017	Landkammer .....	G01N 15/0656
9,759,586	B2 *	9/2017	Mori .....	G01N 27/4077
10,054,573	B2 *	8/2018	Isaka .....	G01N 27/4077
D841,499	S *	2/2019	Drewes .....	D10/81

\* cited by examiner

FIG. 1

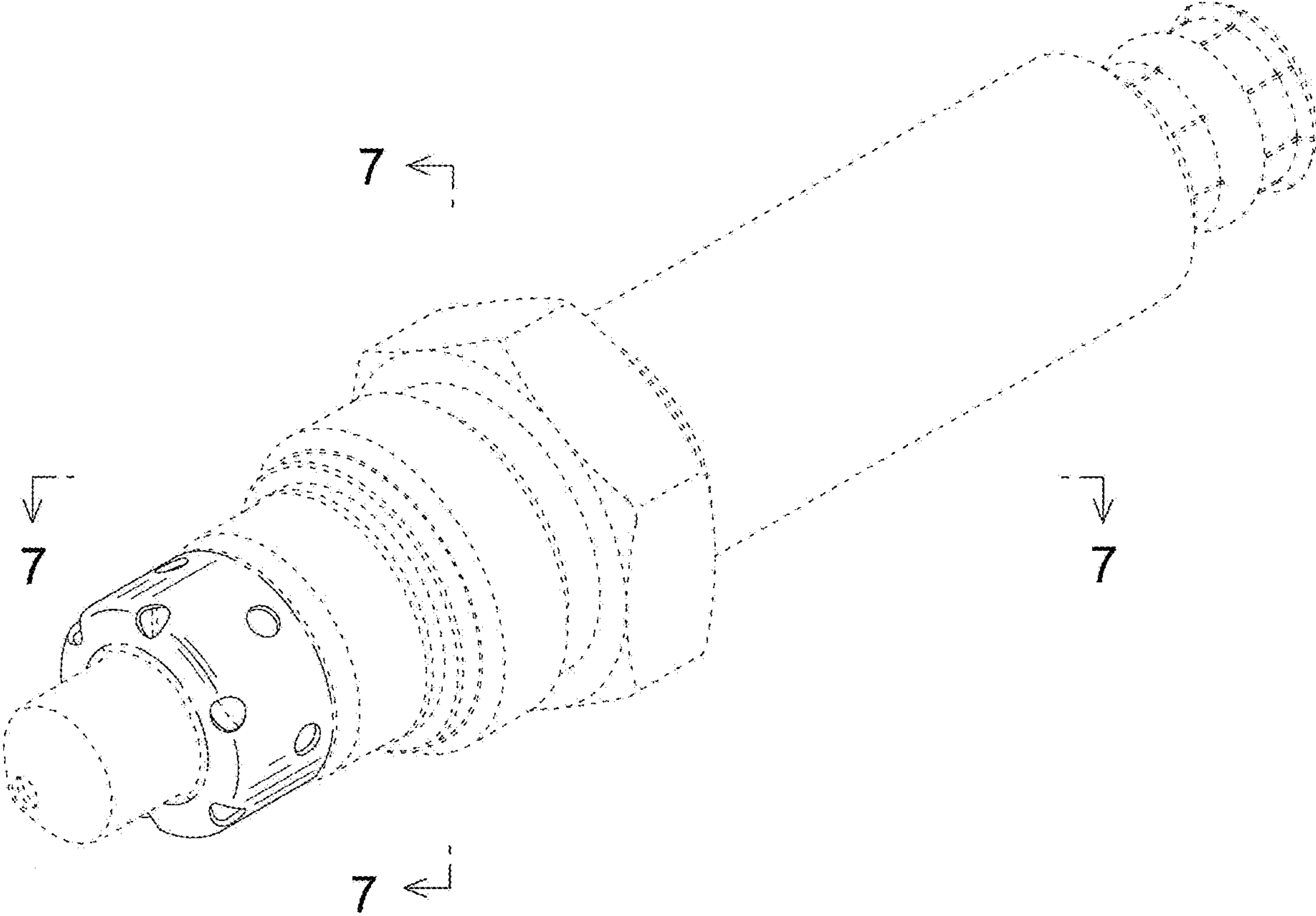


FIG. 2

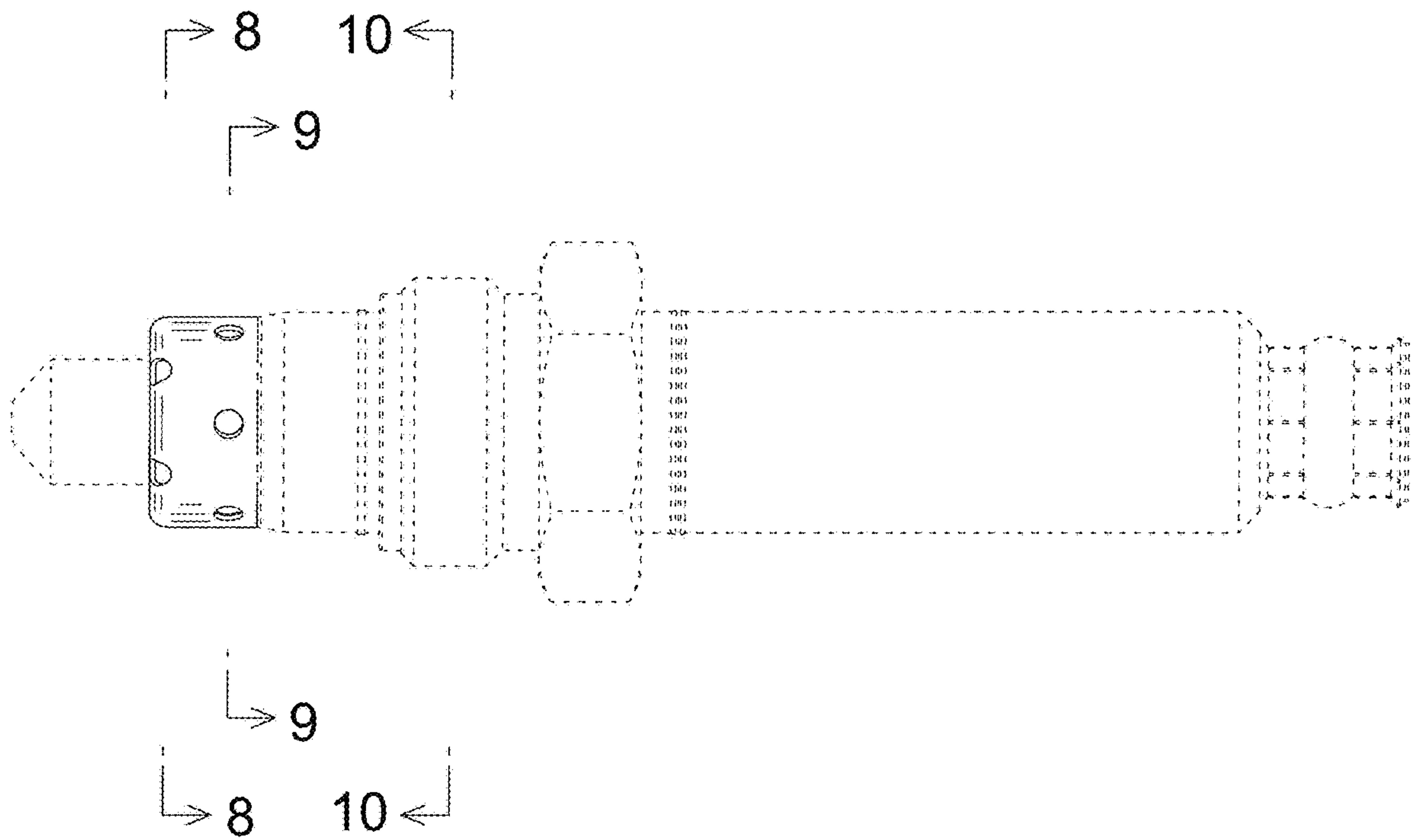


FIG. 3

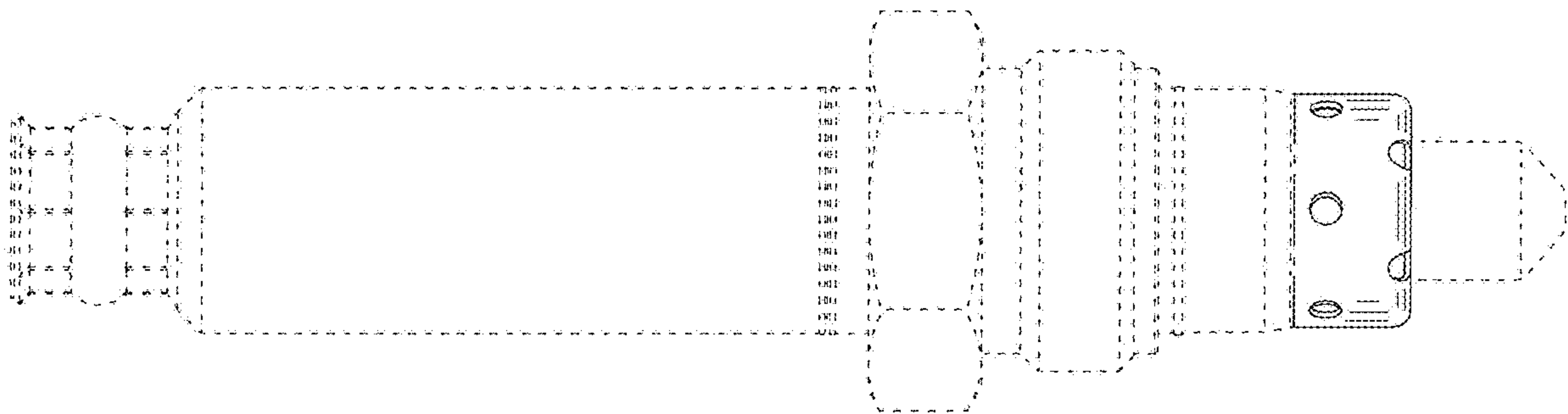


FIG. 4

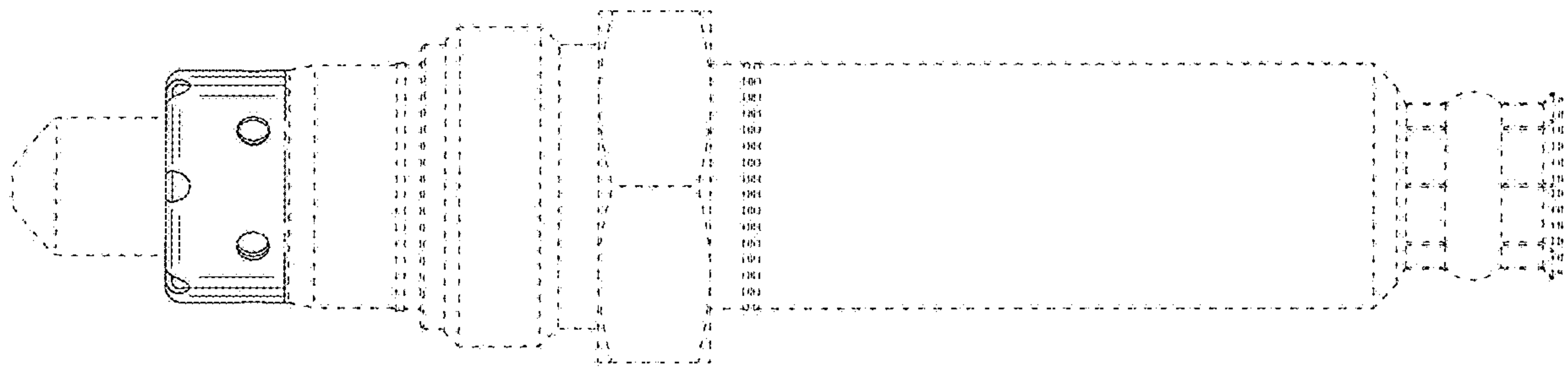


FIG. 5

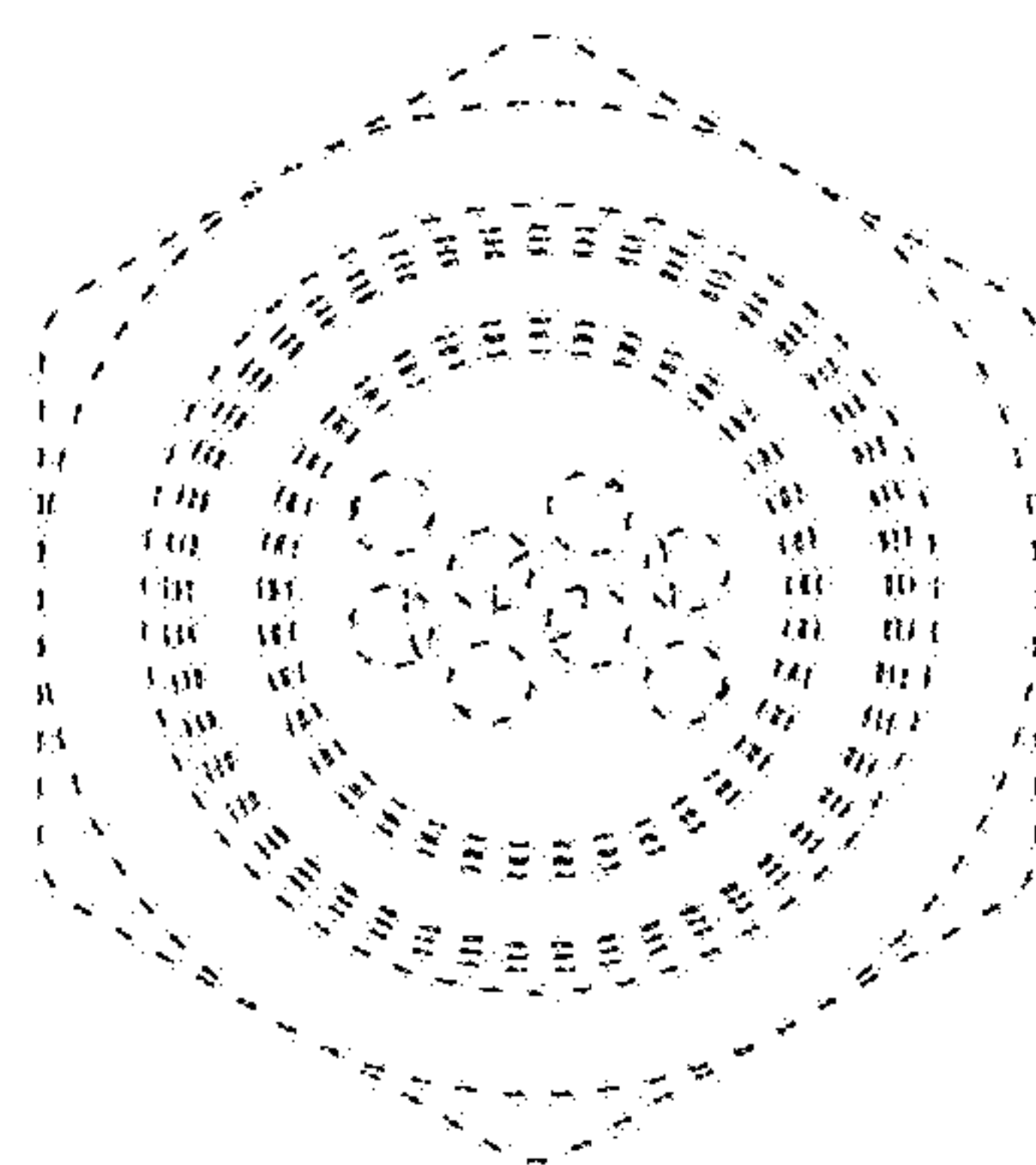


FIG. 6

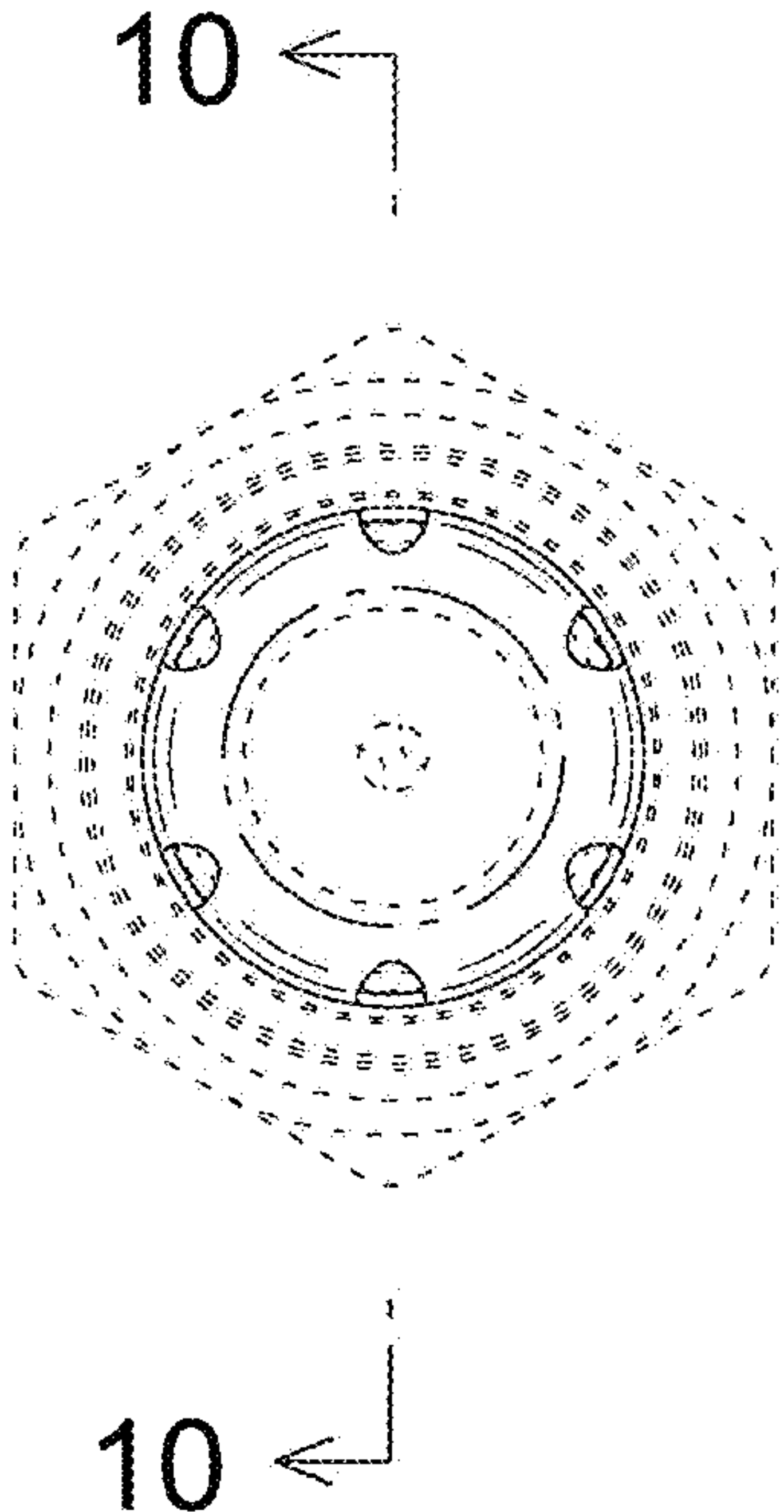




FIG. 7

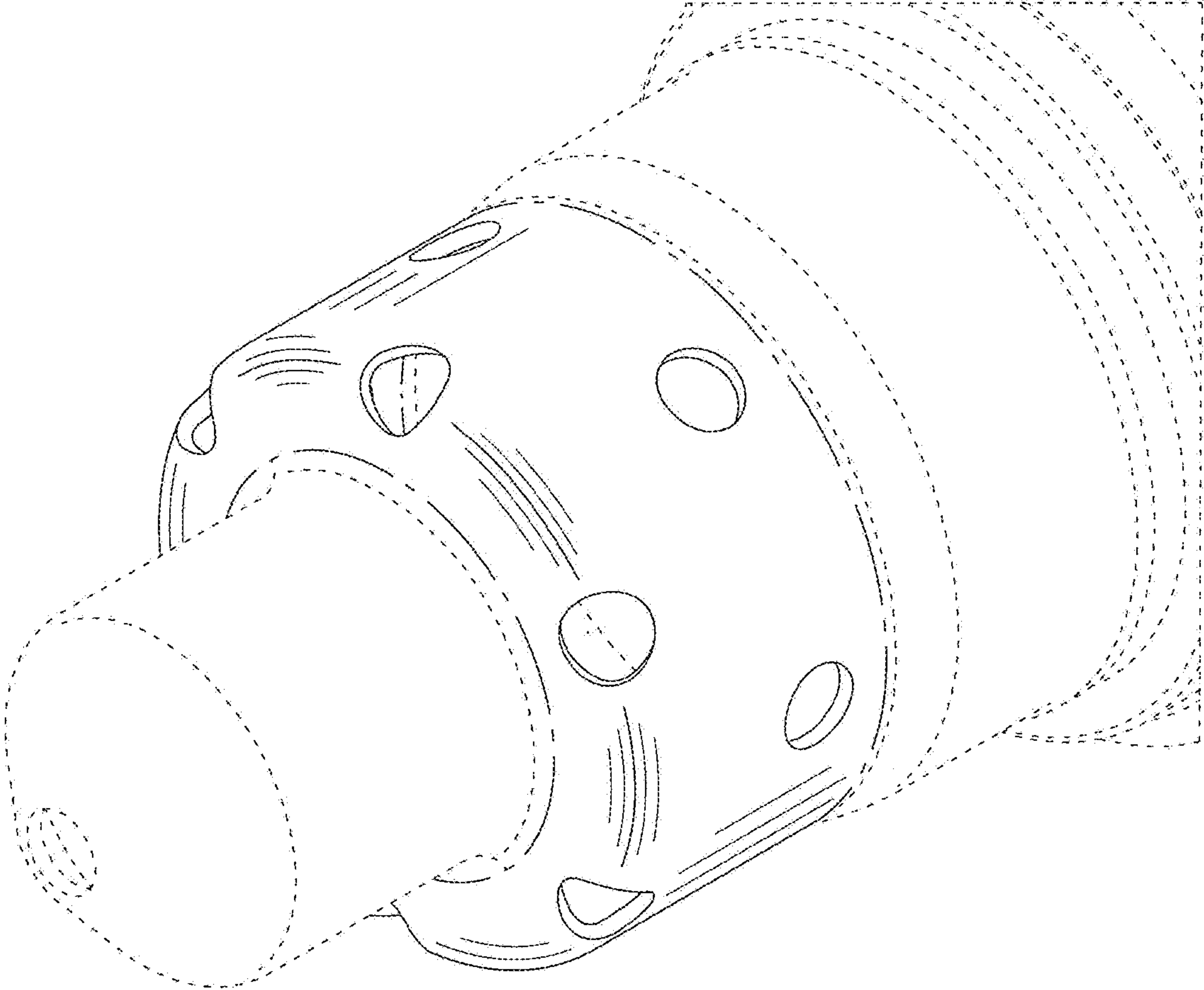


FIG. 8

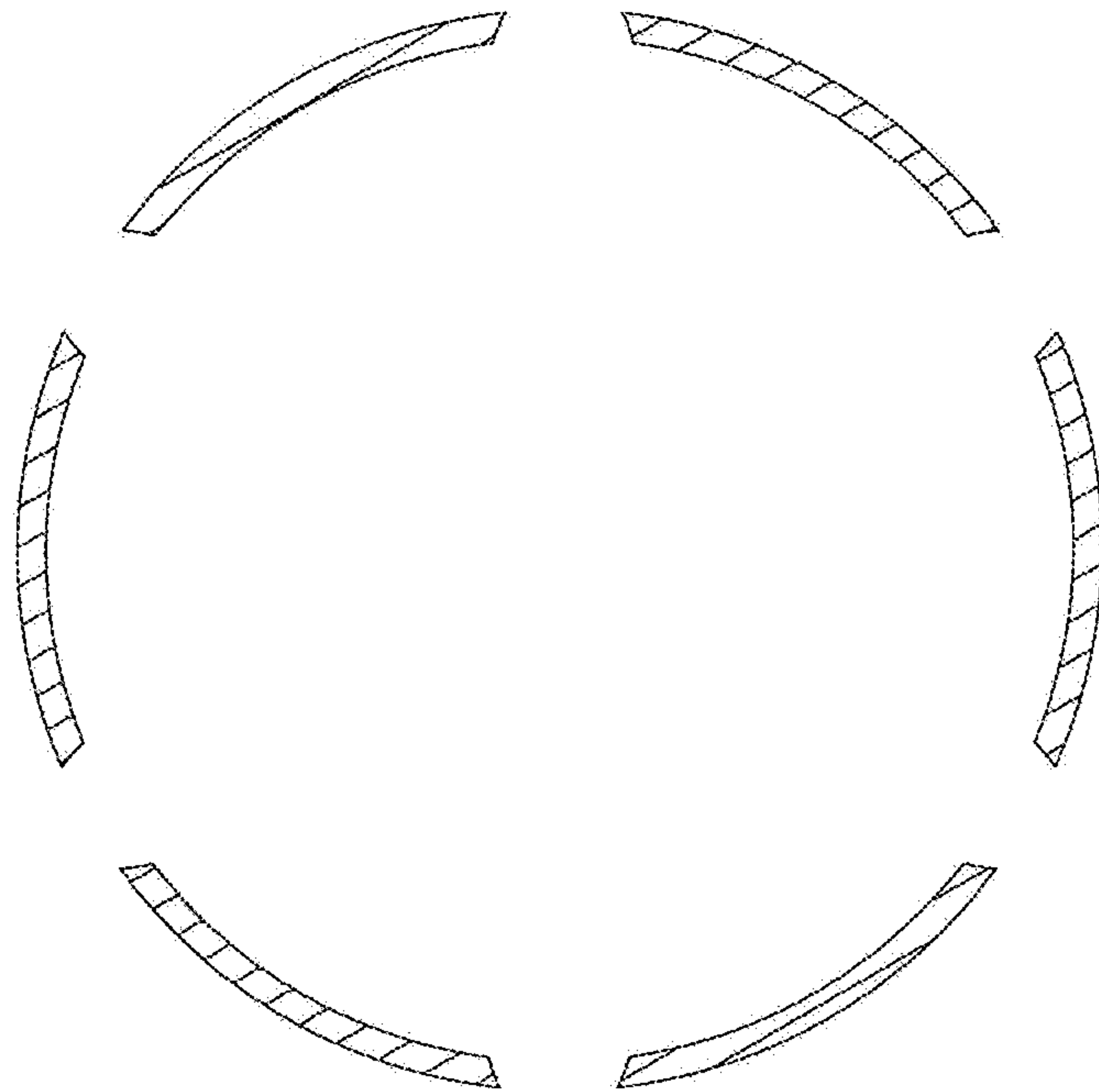


FIG. 9

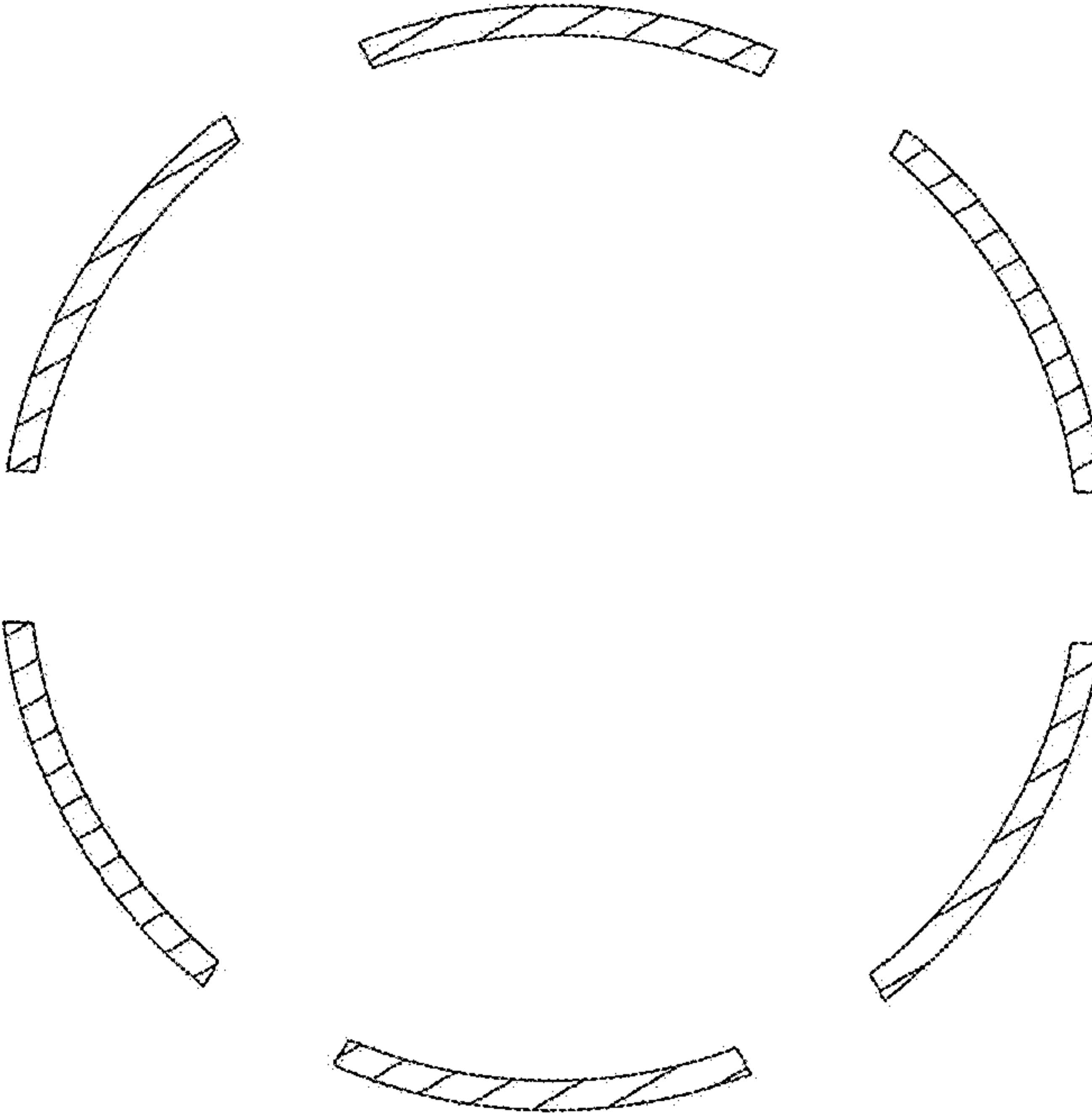


FIG. 10

