



US00D943438S

(12) **United States Design Patent**
Chen

(10) **Patent No.:** **US D943,438 S**

(45) **Date of Patent:** **** *Feb. 15, 2022**

(54) **WEARABLE HYDRATION MONITOR**

(71) Applicant: **Hydrostasis, Inc.**, San Diego, CA (US)

(72) Inventor: **Debbie K. Chen**, San Diego, CA (US)

(73) Assignee: **HYDROSTASIS, INC.**, San Diego, CA (US)

(*) Notice: This patent is subject to a terminal disclaimer.

(**) Term: **15 Years**

(21) Appl. No.: **29/682,158**

(22) Filed: **Mar. 1, 2019**

(51) **LOC (13) Cl.** **10-04**

(52) **U.S. Cl.**

USPC **D10/78; D24/186**

(58) **Field of Classification Search**

USPC D10/52, 53, 78, 81; D24/133, 140, 186

CPC G09B 23/28; G09B 19/00; G09B 19/0092;

A61B 5/4875; A61B 5/0075; A61B

5/681; A61B 5/1455; A61B 5/6831; A61B

5/6824; A61B 2562/04; A61B 5/0537;

A61B 5/6815; A61B 5/11; A61B 5/6843;

A61B 5/7285; A61B 5/0476; A61B

5/1123; A61B 5/14532; A61B 5/4839;

A61B 5/4866; A61B 5/6817; A61B

5/6826; A61B 5/01; A61B 5/4869; G06K

9/2018; G06K 9/00496; G06K 9/22;

G01N 21/27; G01N 21/3554; G01J 3/108;

G01J 3/0264; G16H 20/60; A61M

31/002; A61F 5/0003

See application file for complete search history.

(56) **References Cited**

U.S. PATENT DOCUMENTS

D764,320 S * 8/2016 Li D10/52

D796,355 S * 9/2017 Cho D10/78

D827,456 S * 9/2018 Seum D10/56

D854,950 S * 7/2019 Seum D10/53

10,561,351 B2 * 2/2020 Lucisano A61B 5/0031

* cited by examiner

Primary Examiner — Antoine Duval Davis

(74) *Attorney, Agent, or Firm* — Eleanor Musick; Musick Davison LLP

(57) **CLAIM**

The ornamental design of a wearable hydration monitor, as shown.

DESCRIPTION

FIG. 1 is a side perspective view of the wearable hydration monitor showing my new design;

FIG. 2 is a top plan view thereof;

FIG. 3 is a bottom plan view thereof;

FIG. 4 is a right side elevational view of the wearable hydration monitor as shown in FIG. 3;

FIG. 5 is a left side elevational view of the wearable hydration monitor as shown in FIG. 3;

FIG. 6 is a left side elevational view of the wearable hydration monitor as shown in FIG. 1;

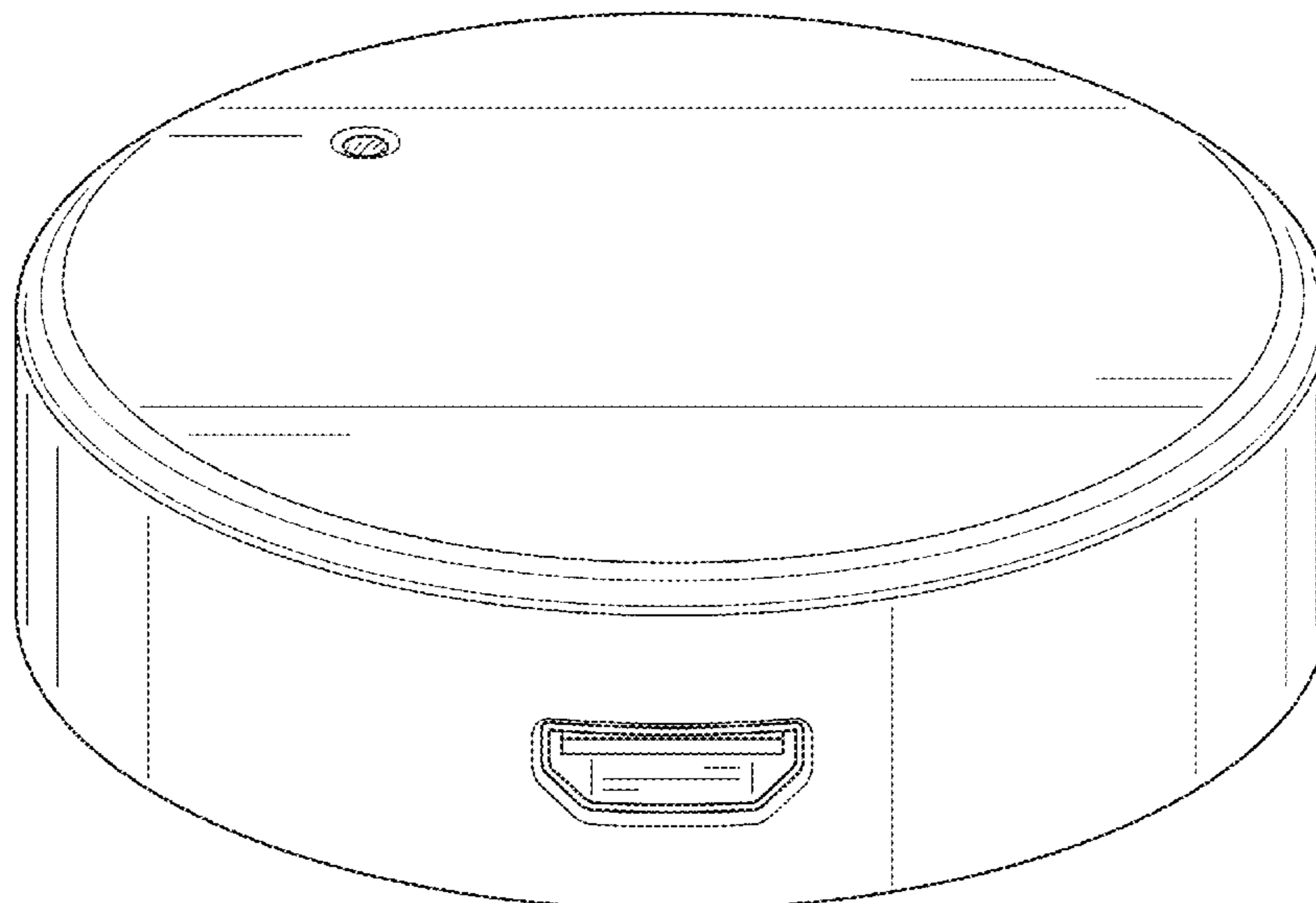
FIG. 7 is a right side elevational view of the wearable hydration monitor as shown in FIG. 1;

FIG. 8 is a first alternative bottom plan view of the wearable hydration monitor; and,

FIG. 9 is a second alternative bottom plan view of the wearable hydration monitor.

The broken lines showing five concentric double circles on the bottom plan views of FIGS. 3, 8 and 9 are for the purpose of illustrating portions of the article and form no part of the claimed design.

1 Claim, 7 Drawing Sheets



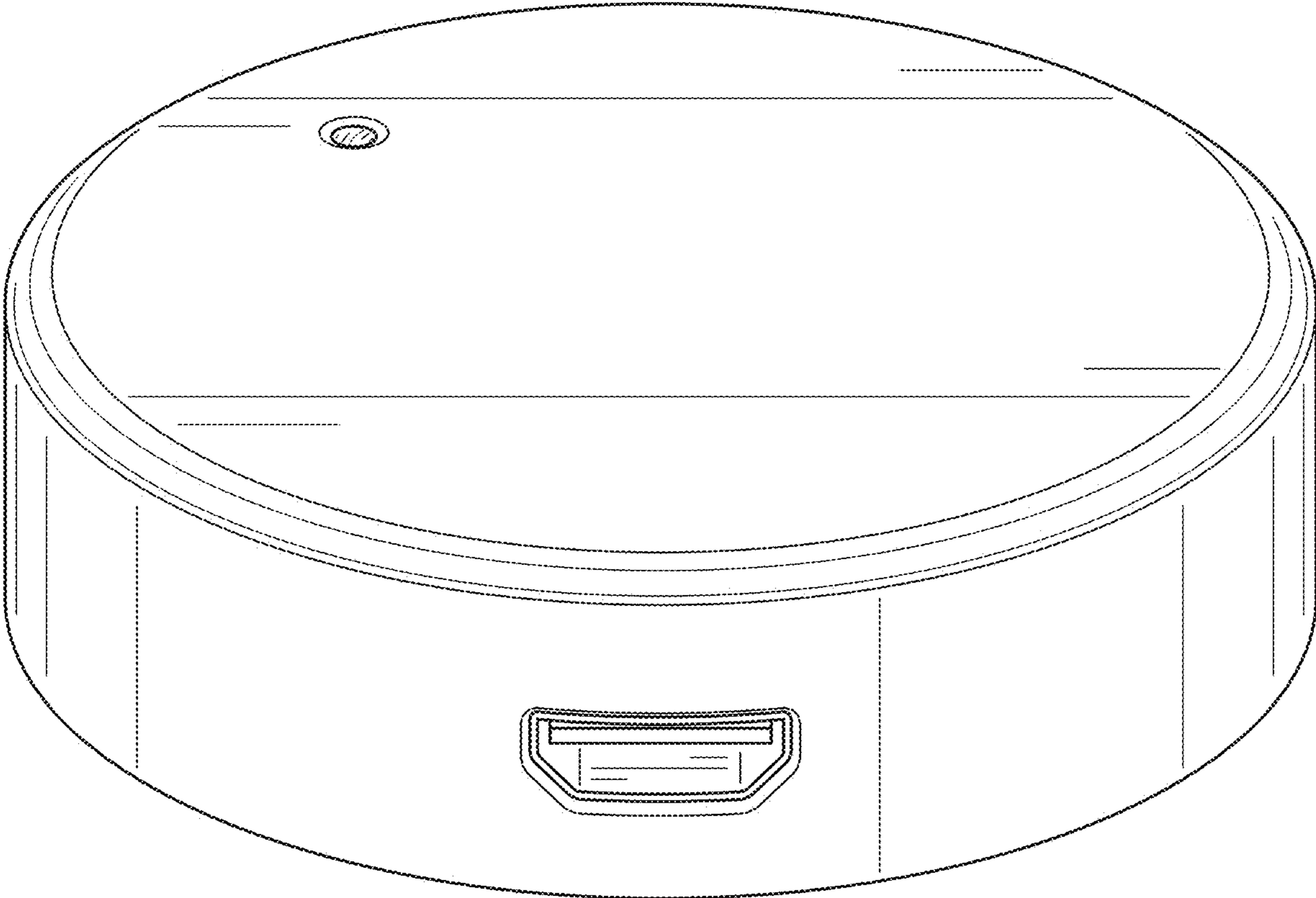


FIG. 1

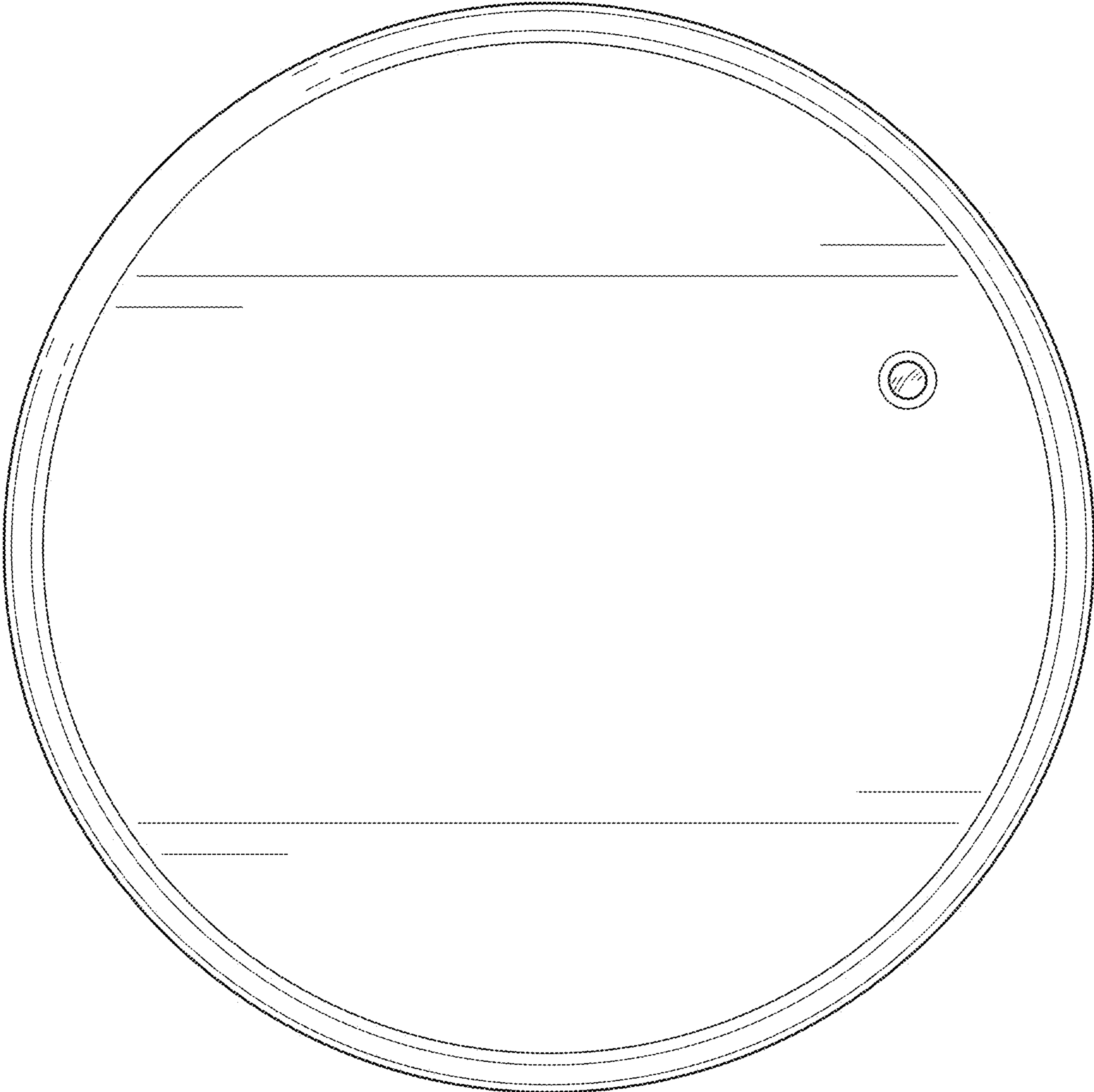


FIG. 2

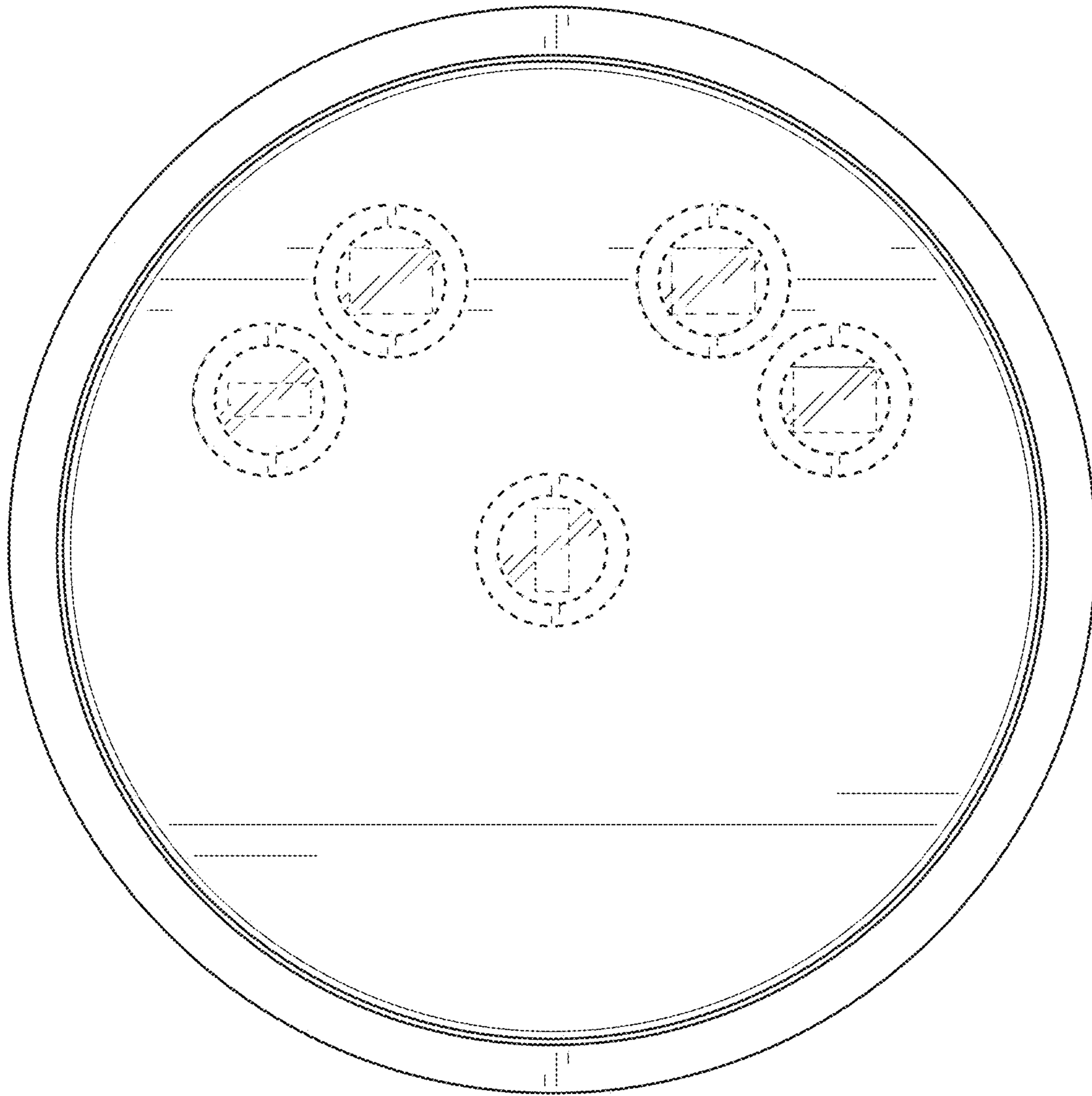


FIG. 3

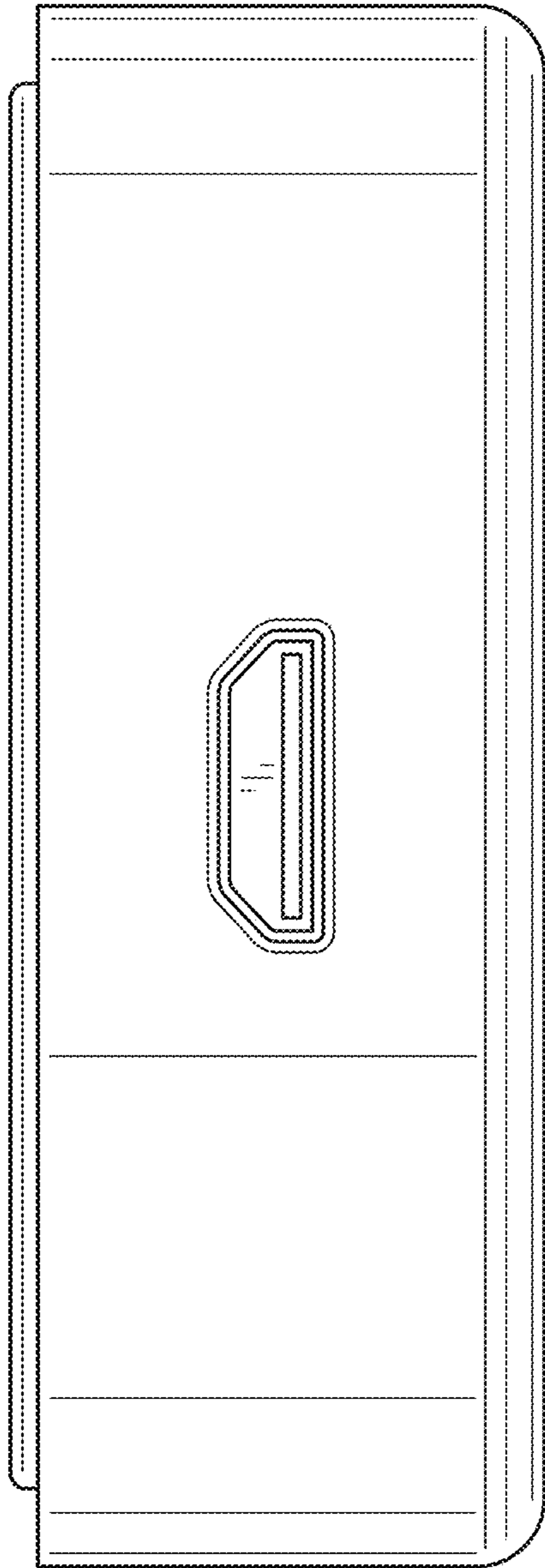


FIG. 4

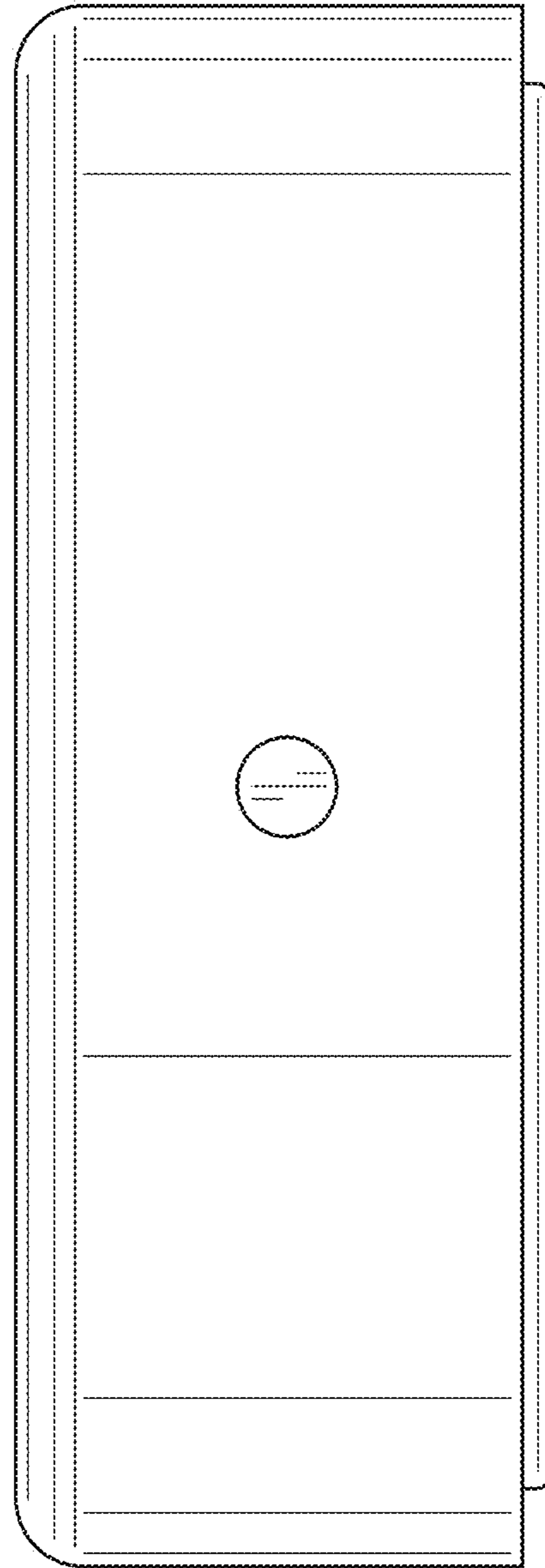


FIG. 5

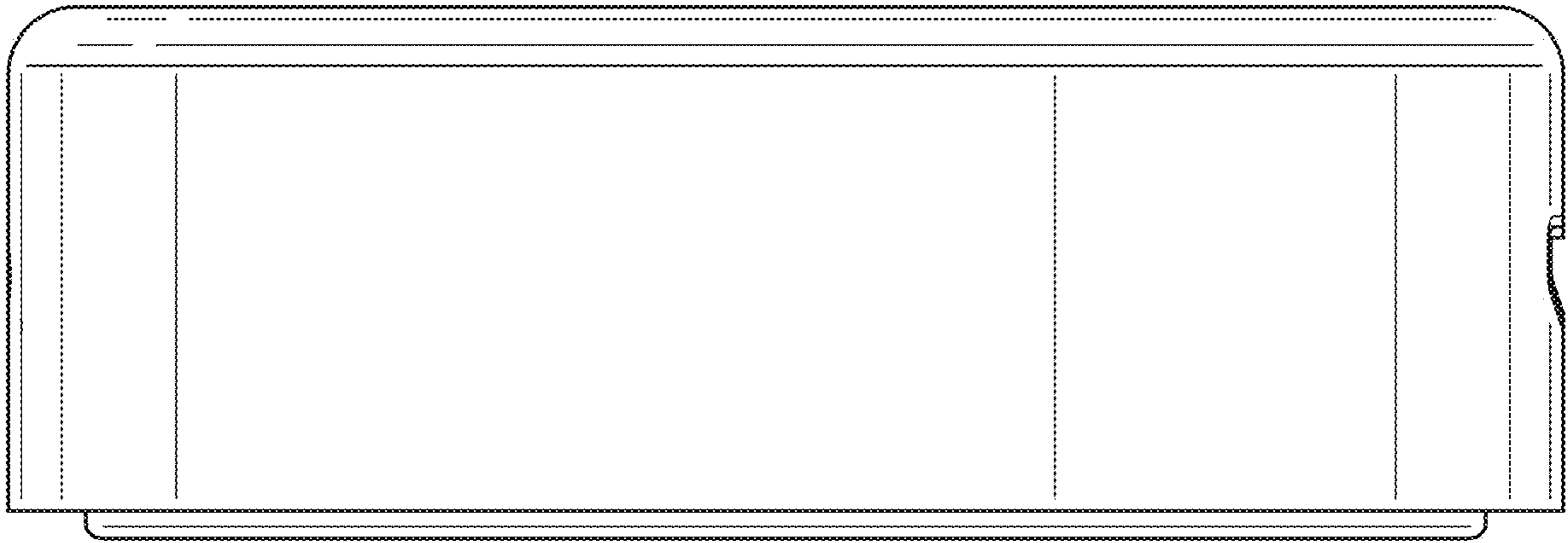


FIG. 6

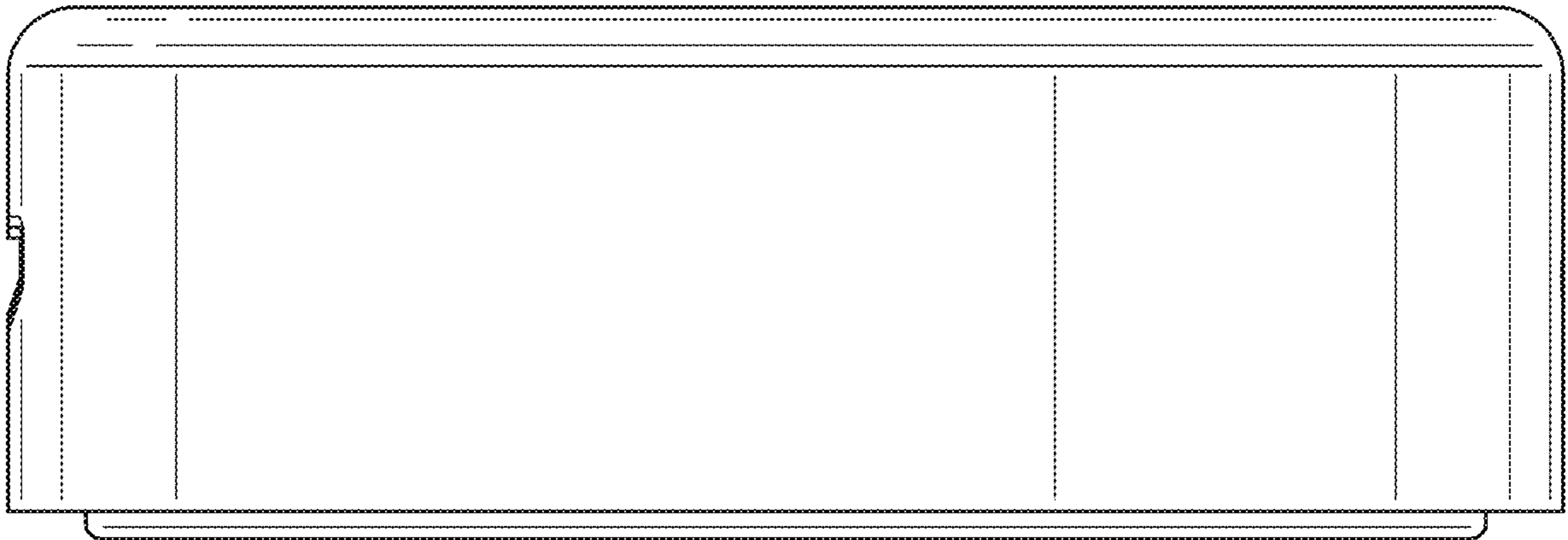


FIG. 7

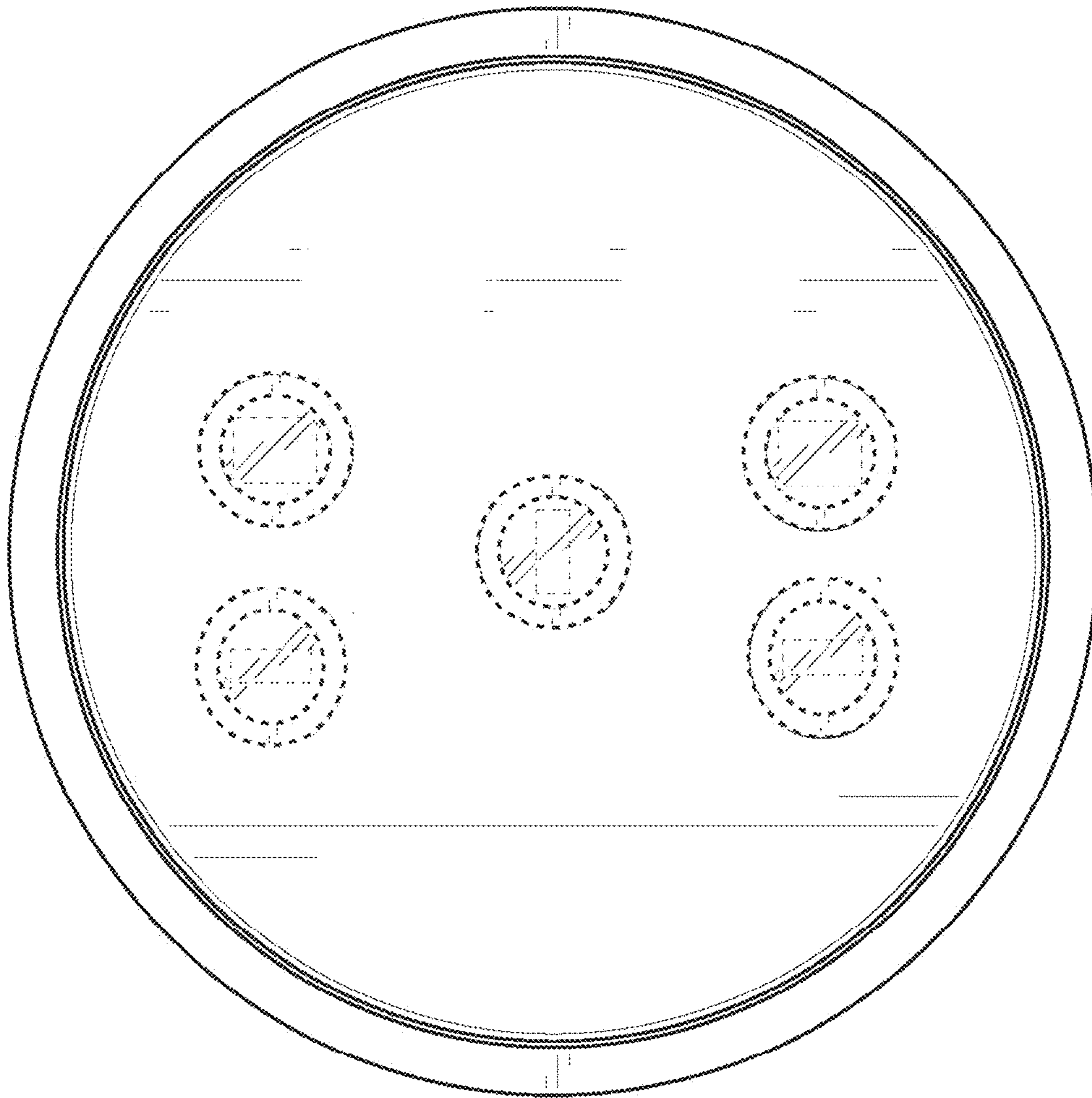


FIG. 8

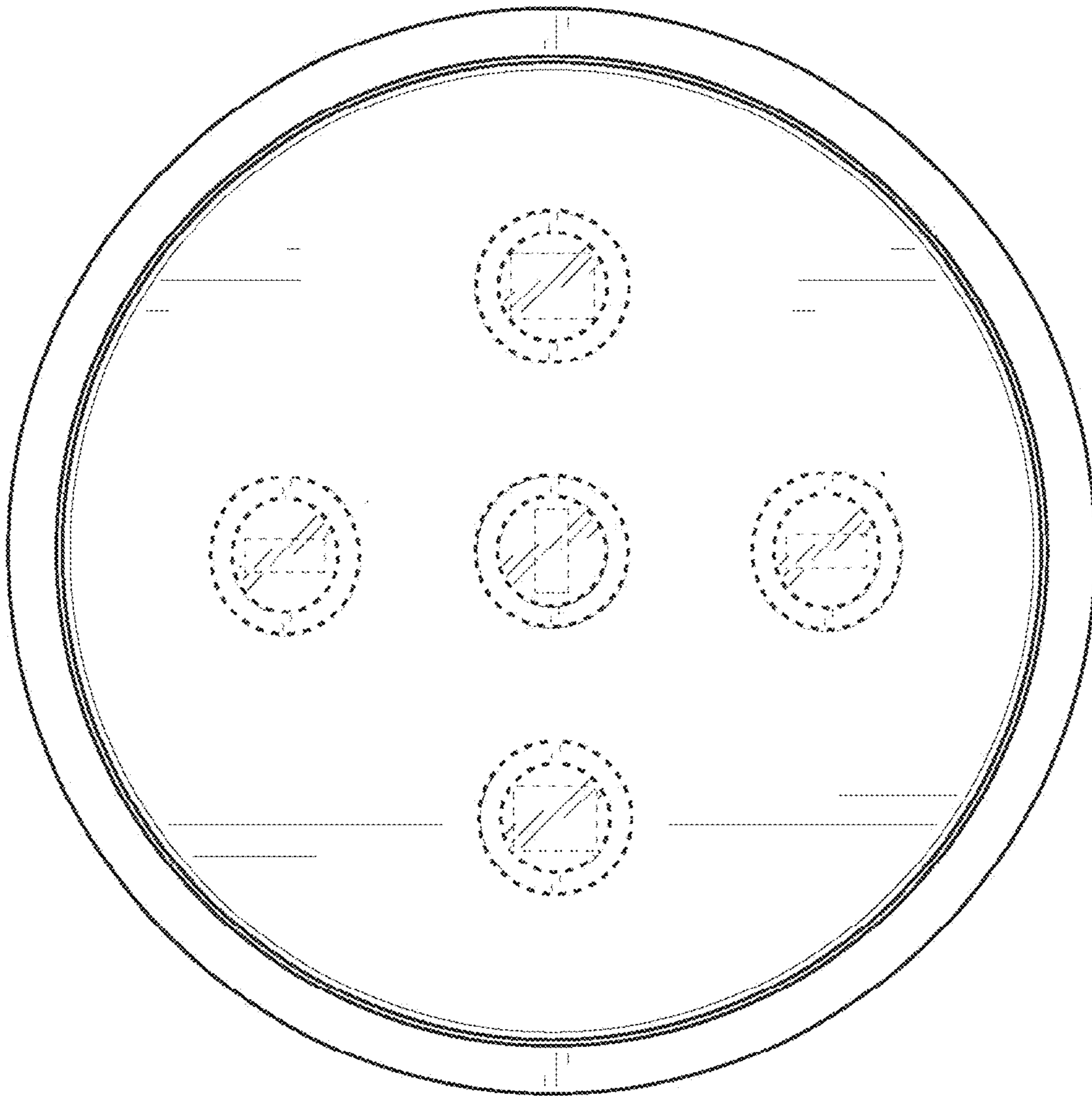


FIG. 9