



US00D943436S

(12) **United States Design Patent**
Malone

(10) **Patent No.:** **US D943,436 S**

(45) **Date of Patent:** **** Feb. 15, 2022**

(54) **ANIMAL MEASUREMENT PLATFORM**

(71) Applicant: **Emanuel Blake Malone**, Burbank, CA
(US)

(72) Inventor: **Emanuel Blake Malone**, Burbank, CA
(US)

(**) Term: **15 Years**

(21) Appl. No.: **29/708,459**

(22) Filed: **Oct. 7, 2019**

(51) **LOC (13) Cl.** **10-04**

(52) **U.S. Cl.**
USPC **D10/71; D10/65**

(58) **Field of Classification Search**
USPC D10/64, 65, 70, 71
CPC G01N 21/01; G01N 21/6456; G01N
21/6428; G01N 21/65; G01N 21/4795;
G01N 2021/651; G01N 2021/1787; A46D
3/00; A61B 5/0073; A61B 2560/06; A61B
2503/40; A61B 5/0071; A01K 1/0613
See application file for complete search history.

(56) **References Cited**

U.S. PATENT DOCUMENTS

4,745,472 A * 5/1988 Hayes G01B 11/022
348/141
D348,014 S * 6/1994 Hesseltine G01B 11/022
D10/46

5,573,002 A * 11/1996 Pratt A01K 29/00
600/443
D390,793 S * 2/1998 DeLong, Sr. D10/70
D400,810 S * 11/1998 Landauer D10/70
8,327,804 B2 * 12/2012 Yamada A46D 3/00
119/421

* cited by examiner

Primary Examiner — Antoine Duval Davis

(57) **CLAIM**

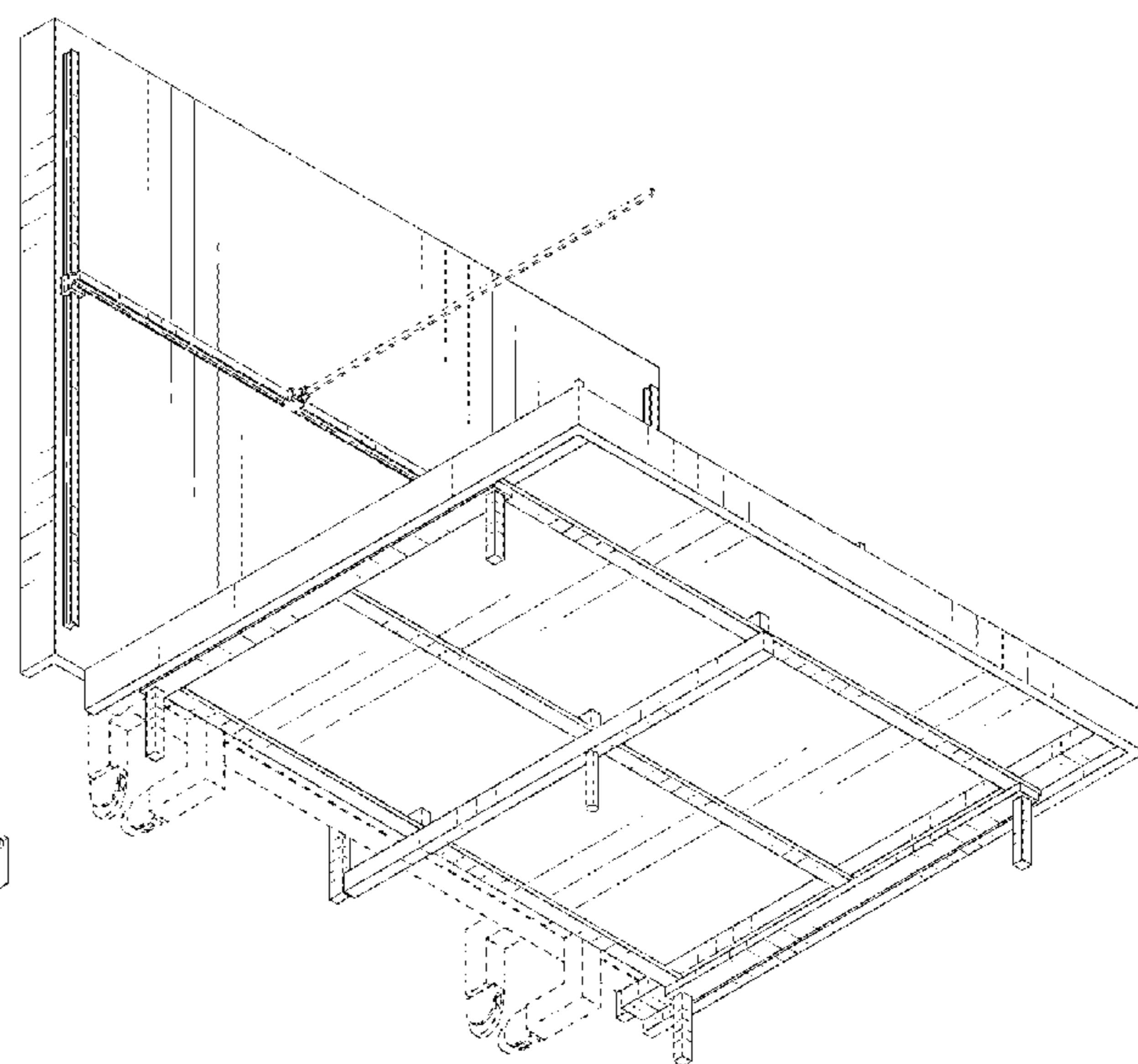
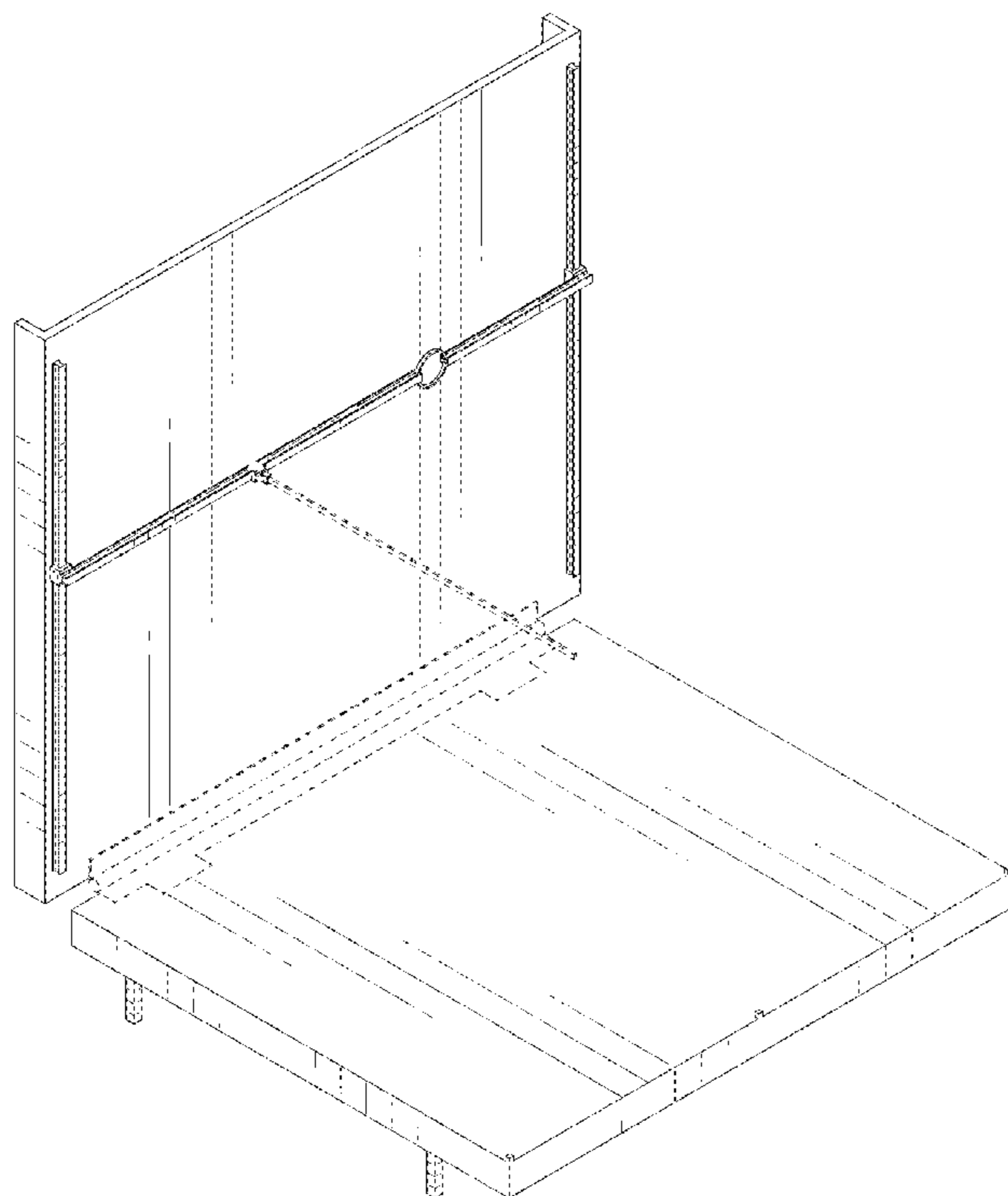
The ornamental design for an animal measurement platform,
as shown and described.

DESCRIPTION

FIG. 1 is a front-top perspective view of an animal mea-
surement platform showing my new design;
FIG. 2 is a front-bottom perspective view thereof;
FIG. 3 is a rear-top perspective view thereof;
FIG. 4 is a rear-bottom perspective view thereof;
FIG. 5 is a front elevational view thereof;
FIG. 6 is a rear elevational view thereof;
FIG. 7 is a right elevational view thereof;
FIG. 8 is a left elevational view thereof;
FIG. 9 is a top plan view thereof; and,
FIG. 10 is a bottom plan view thereof.

The broken lines shown are for illustrative purposes only
and form no part of the claimed design.

1 Claim, 10 Drawing Sheets



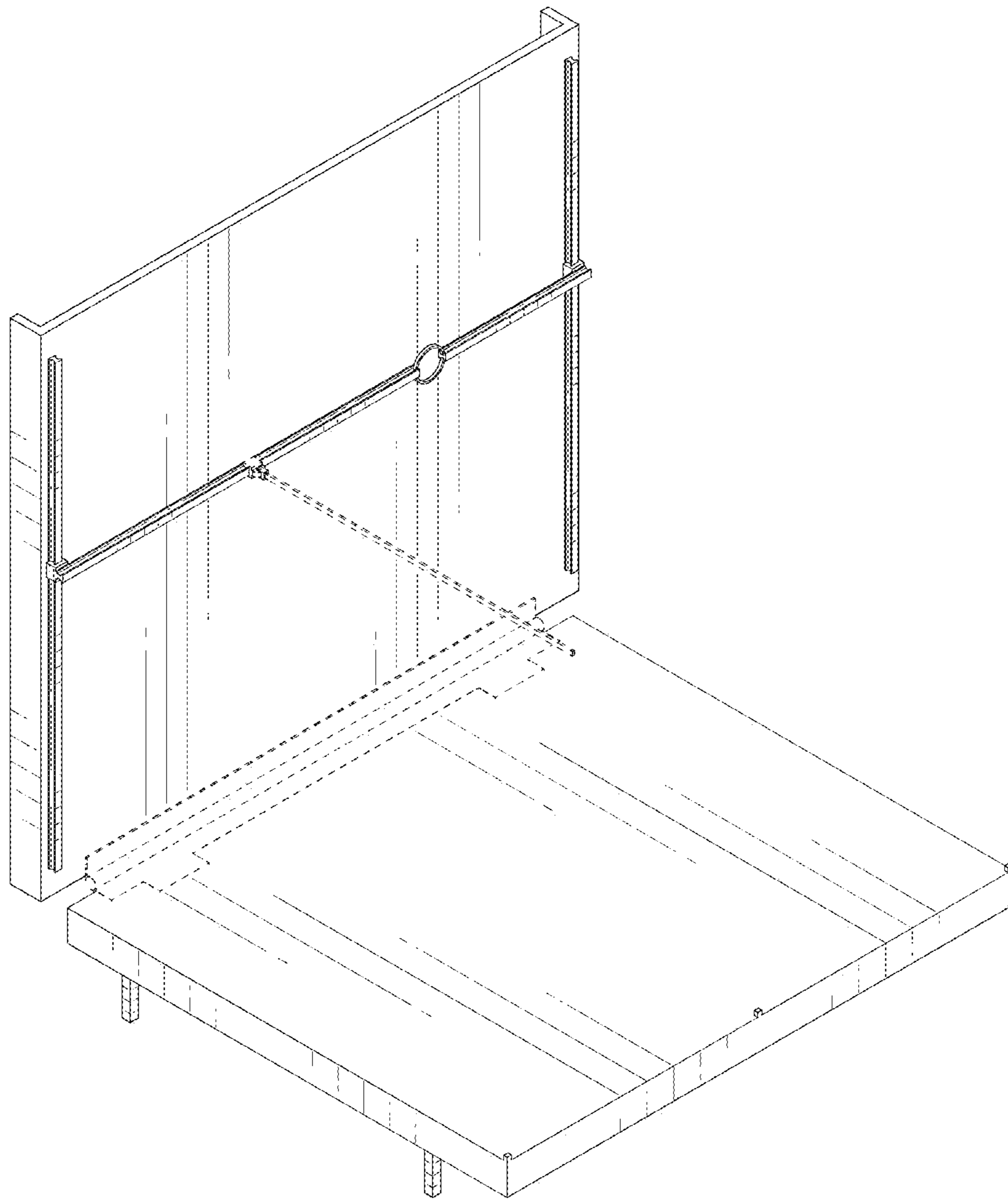


FIG. 1

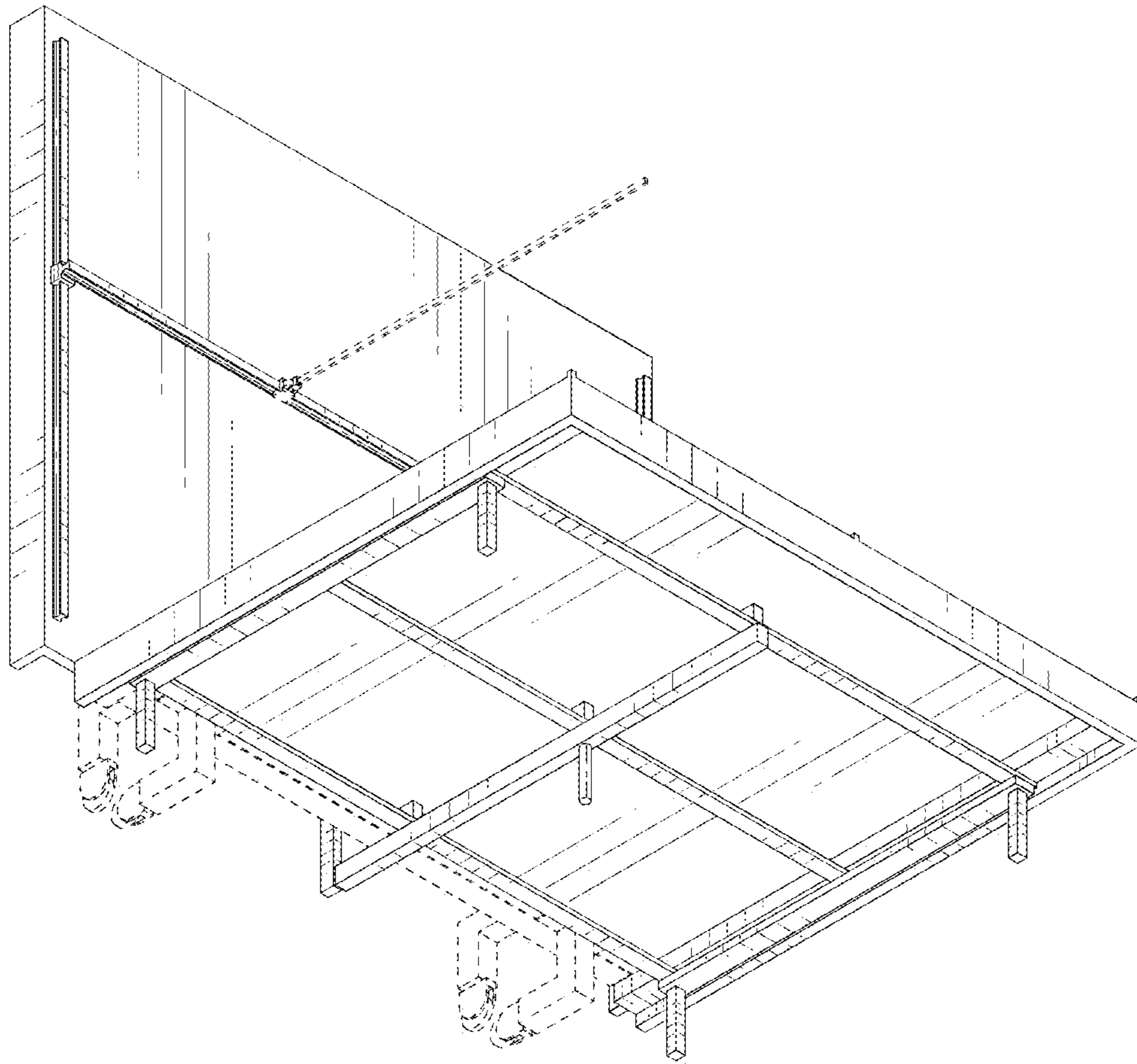


FIG. 2

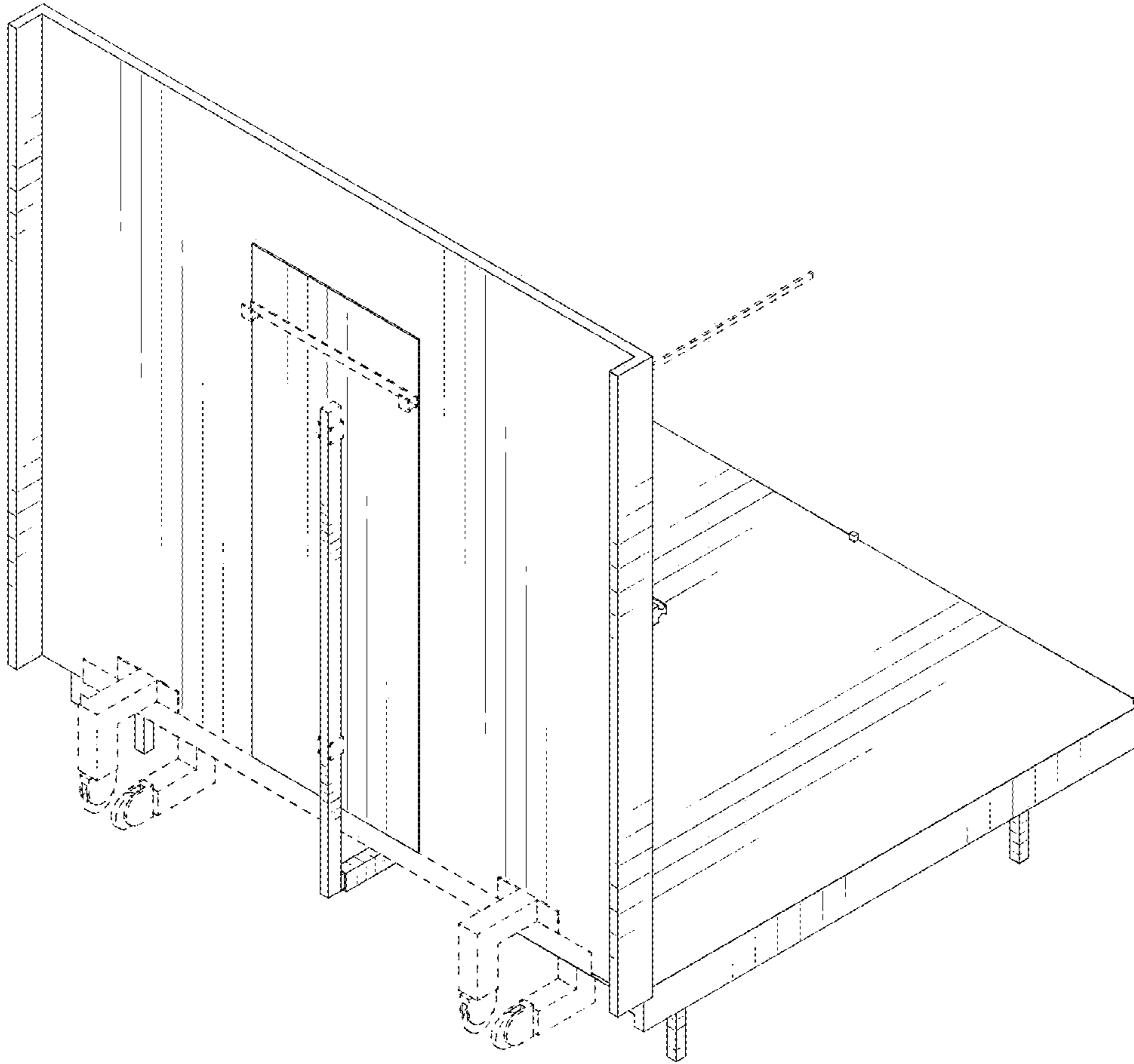


FIG. 3

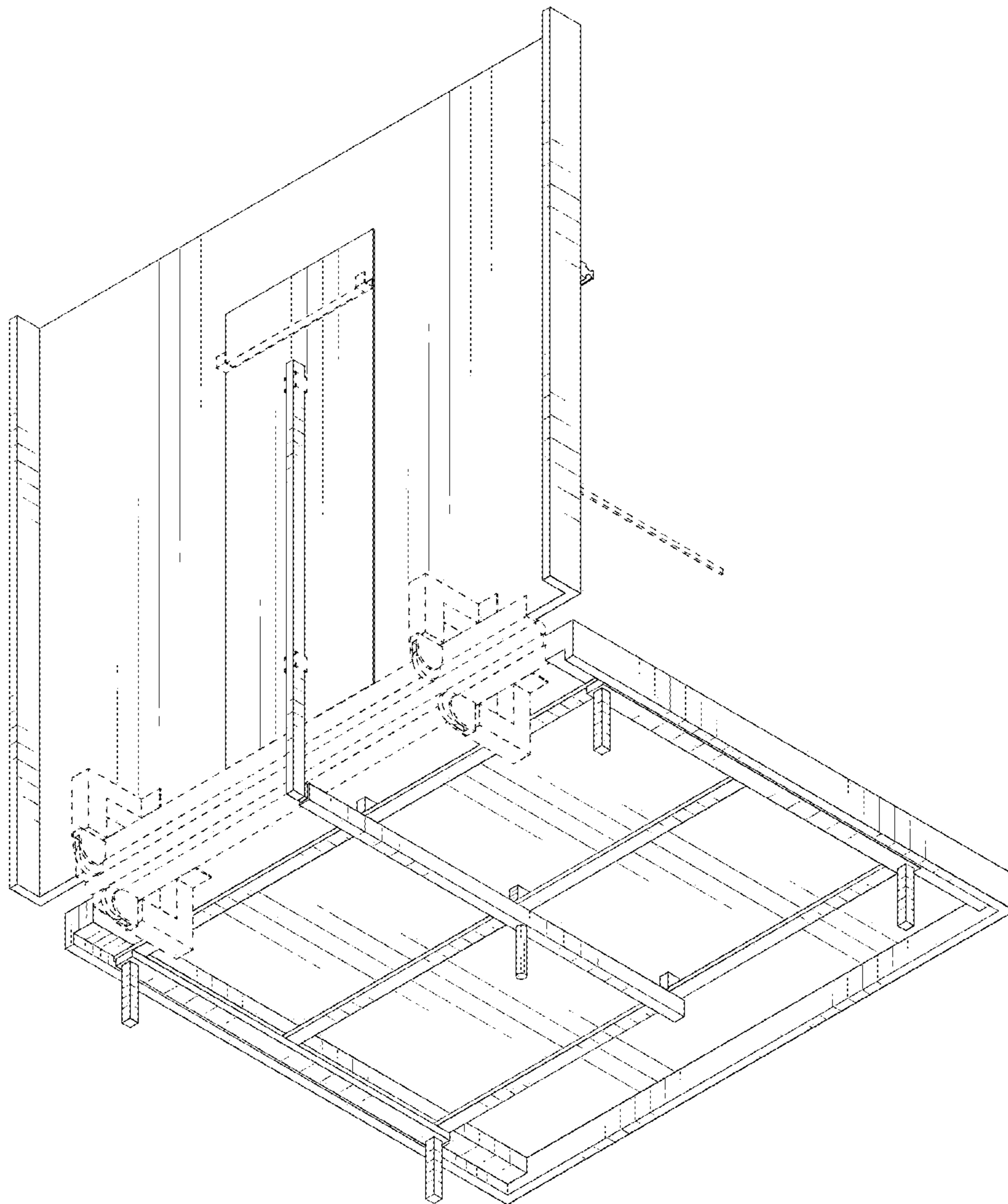


FIG. 4

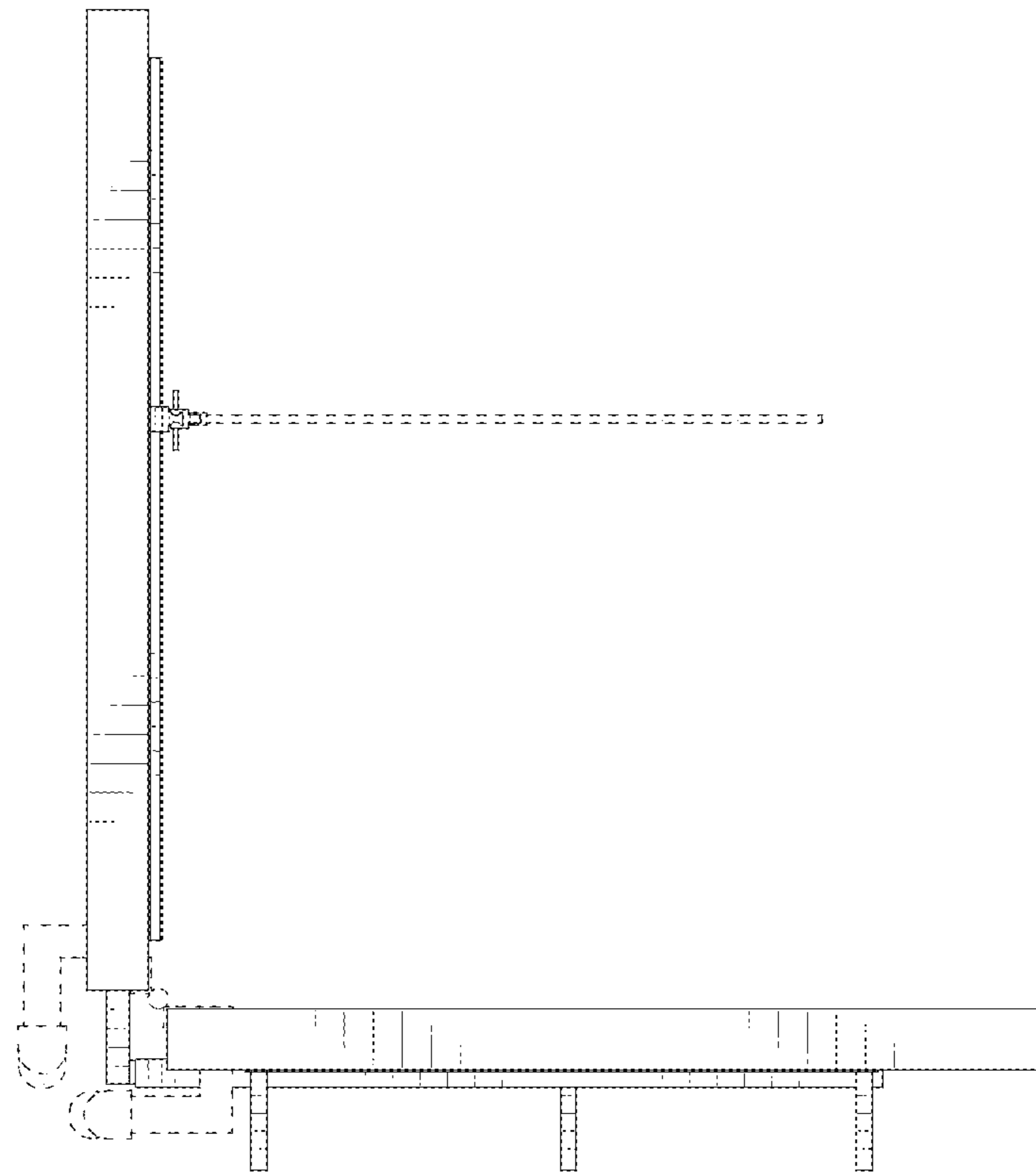


FIG. 5

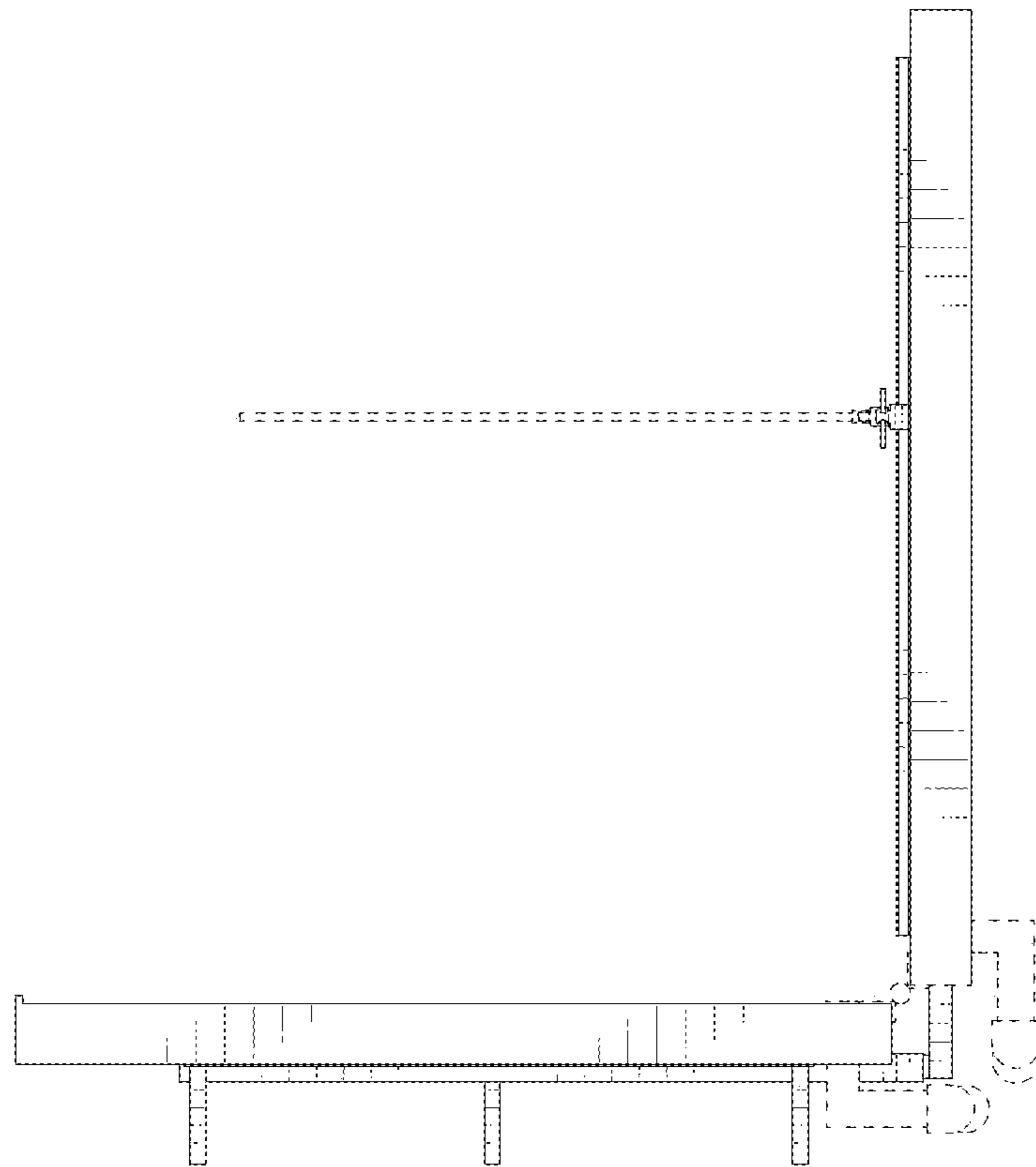


FIG. 6

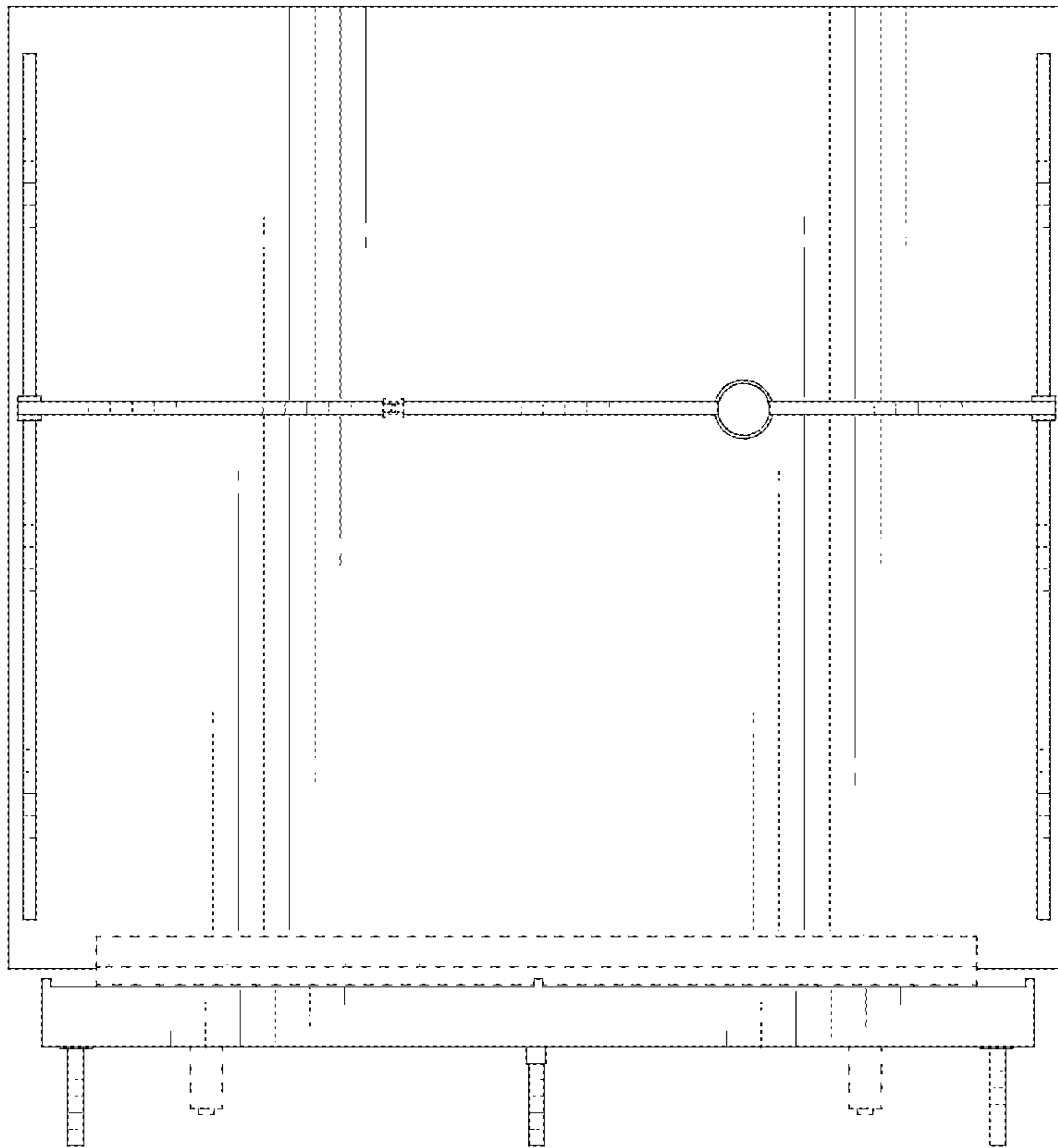


FIG. 7

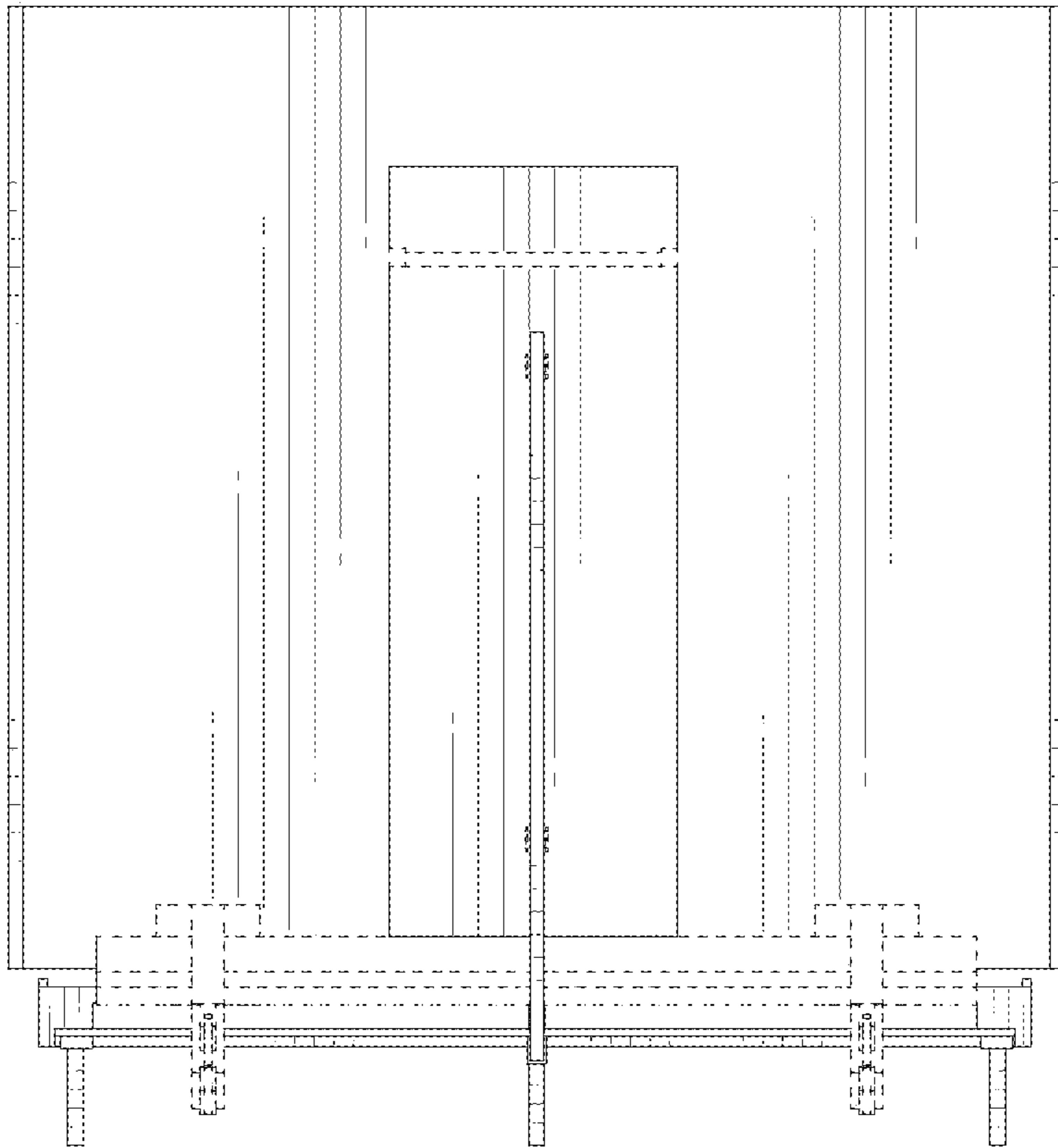


FIG. 8

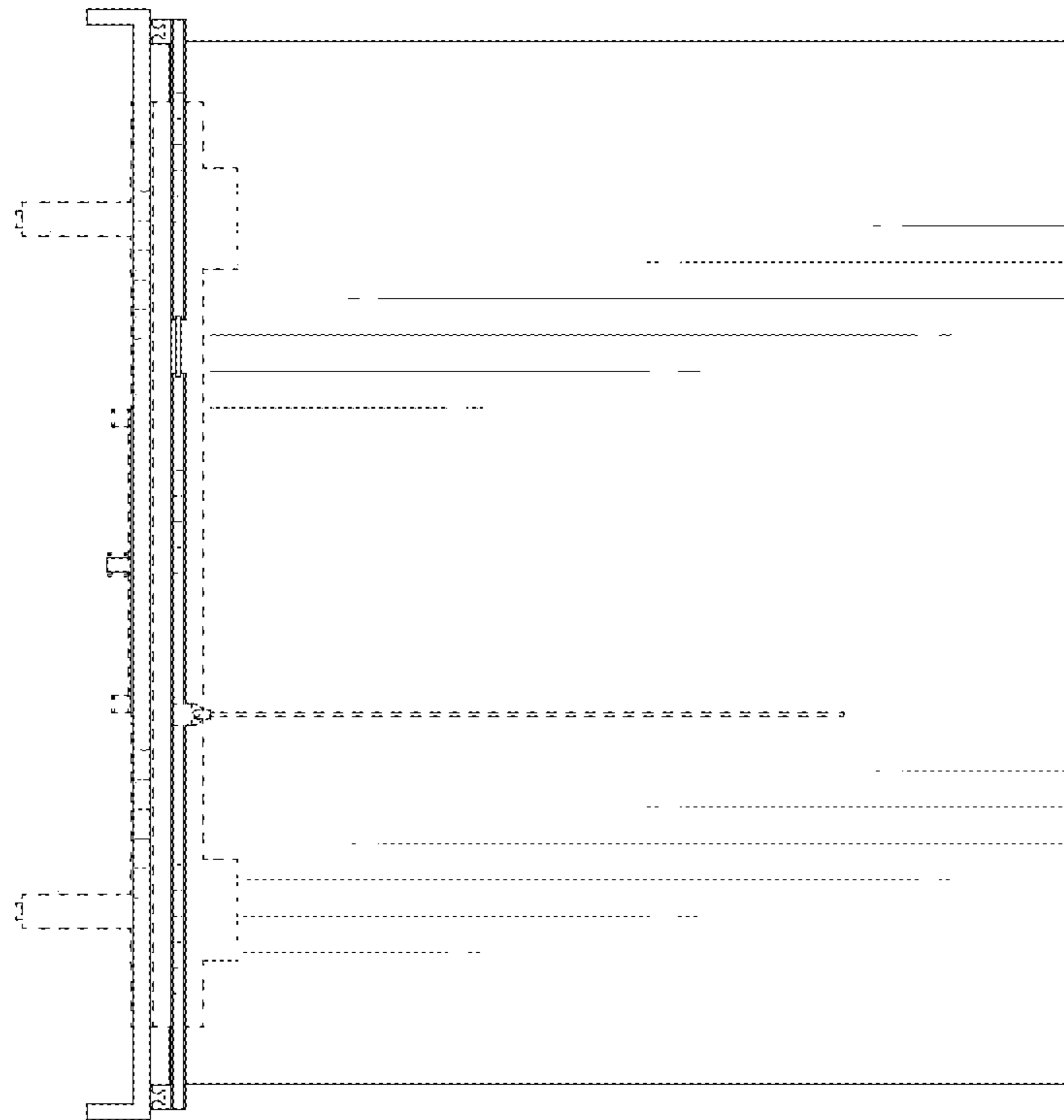


FIG. 9

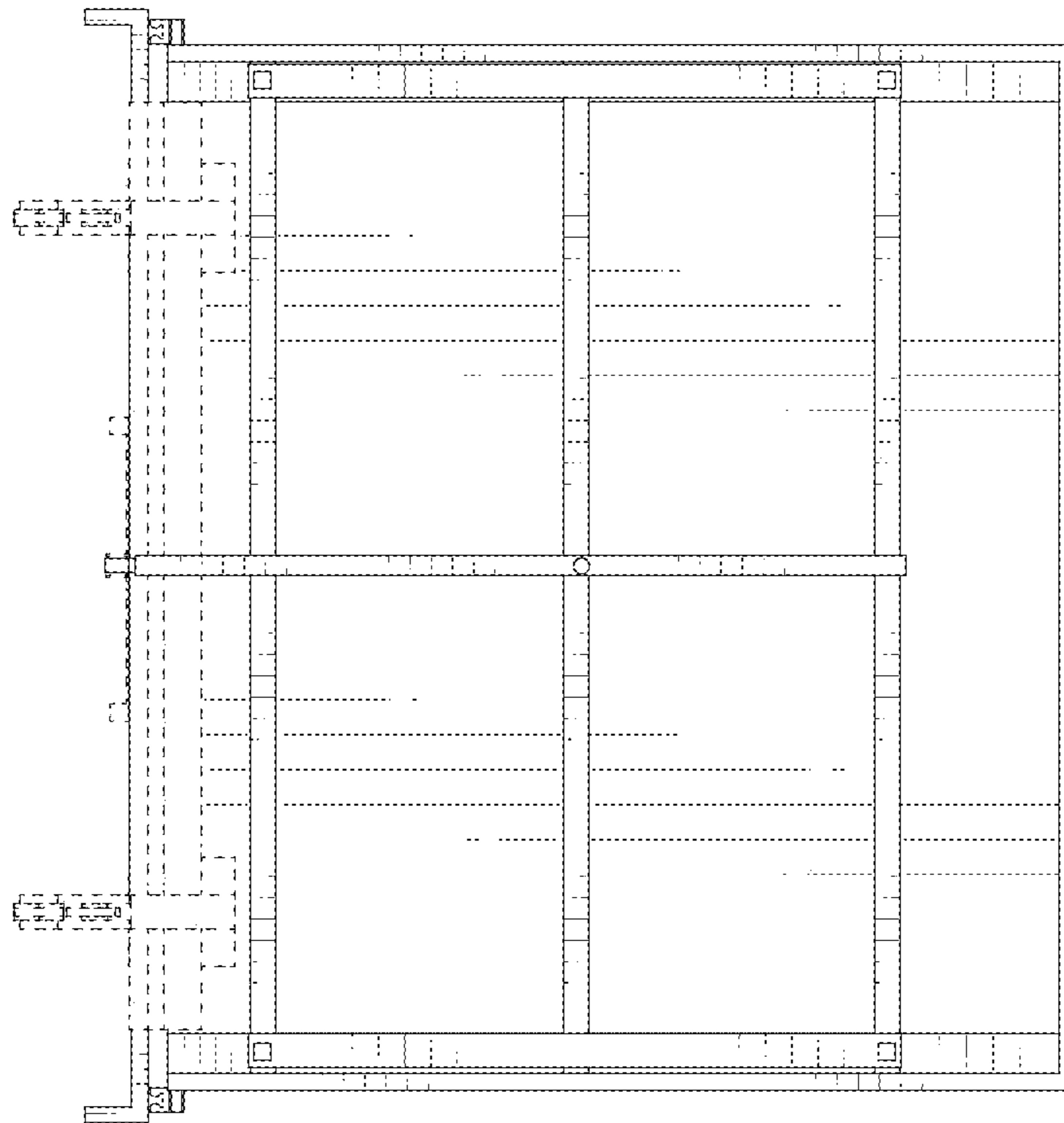


FIG. 10