



US00D943435S

(12) **United States Design Patent**
Elmore

(10) **Patent No.:** **US D943,435 S**

(45) **Date of Patent:** **** *Feb. 15, 2022**

(54) **EYE MEASUREMENT TOOL**

FOREIGN PATENT DOCUMENTS

(71) Applicant: **Eric G. Elmore**, Indianapolis, IN (US)

WO WO-2017046419 A1 * 3/2017 A61B 5/1071

(72) Inventor: **Eric G. Elmore**, Indianapolis, IN (US)

* cited by examiner

(*) Notice: This patent is subject to a terminal disclaimer.

Primary Examiner — Antoine Duval Davis

(74) *Attorney, Agent, or Firm* — Indiano Law Group LLC; E. Victor Indiano

(**) Term: **15 Years**

(21) Appl. No.: **29/697,649**

(57) **CLAIM**

(22) Filed: **Jul. 10, 2019**

The ornamental design for a eye measurement tool, as shown.

(51) **LOC (13) Cl.** **10-04**

(52) **U.S. Cl.**

USPC **D10/71; D24/137**

(58) **Field of Classification Search**

USPC D10/70, 71; D24/137, 150

CPC A61B 5/107; A61B 5/1071; A61B 5/1079;

A61B 5/1103; A61B 5/6815; A61B

5/6821; A61B 3/111; A61B 3/113

See application file for complete search history.

DESCRIPTION

FIG. 1 is a front view of the top portion of the eye measurement tool showing a new design;

FIG. 2 is a back view of the top portion of the eye measurement tool;

FIG. 3 is a front and left side biased perspective view of the front of the eye measurement tool;

FIG. 4 is a front and right-side biased perspective view thereof,

FIG. 5 is a rear and left-side biased perspective view of the back portion of the eye measurement tool;

FIG. 6 is a left side view of the eye measurement tool;

FIG. 7 is a right-side view of the eye measurement tool;

FIG. 8 is a bottom view of the eye measurement tool; and,

FIG. 9 is a top view of the eye measurement tool.

(56) **References Cited**

U.S. PATENT DOCUMENTS

D337,729 S * 7/1993 Ledbetter D10/64

D533,094 S 12/2006 Sieber

D616,316 S * 5/2010 Mangan D10/65

D640,944 S 7/2011 Elias

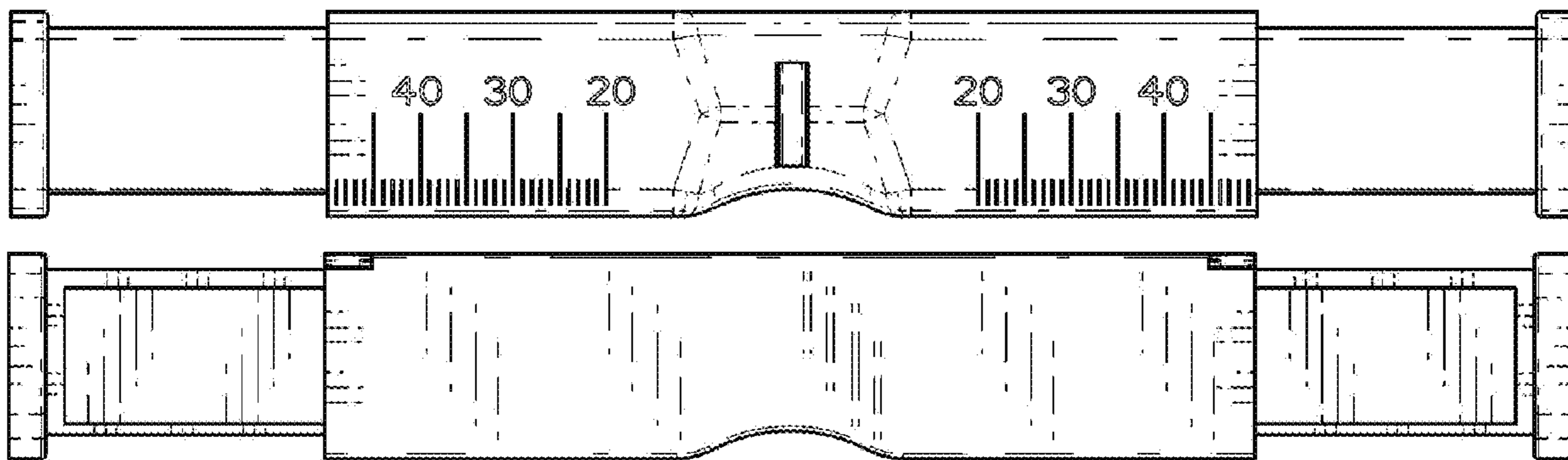
8,276,288 B1 10/2012 Yu

D741,731 S 10/2015 Lamanna et al.

D850,494 S 6/2019 Tatsumi et al.

D850,949 S * 6/2019 Elmore D10/71

1 Claim, 7 Drawing Sheets



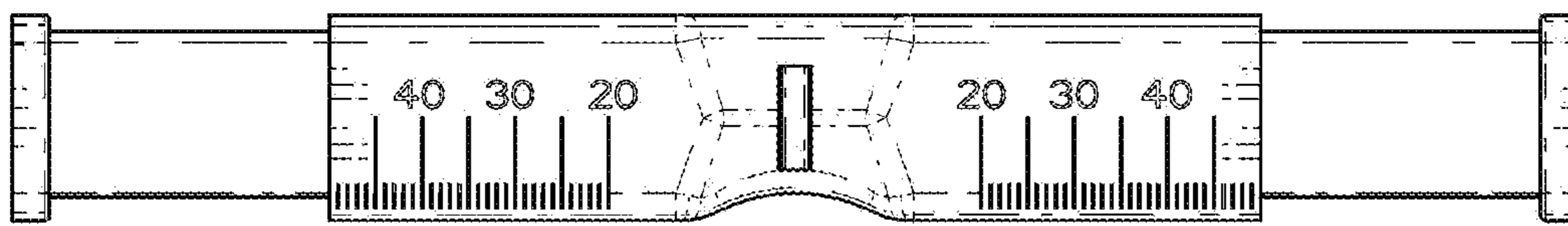


FIG. 1



FIG. 2

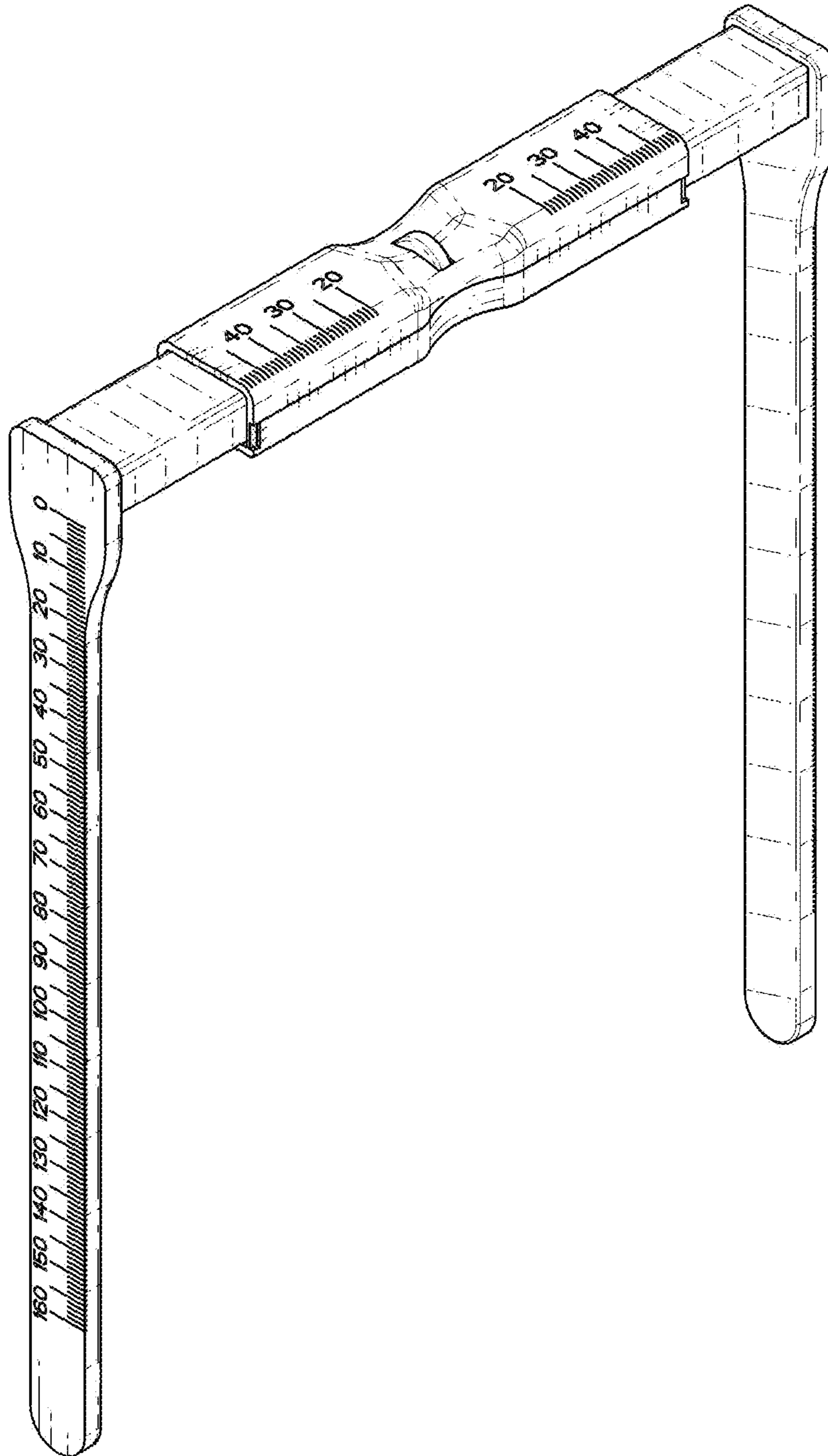


FIG. 3

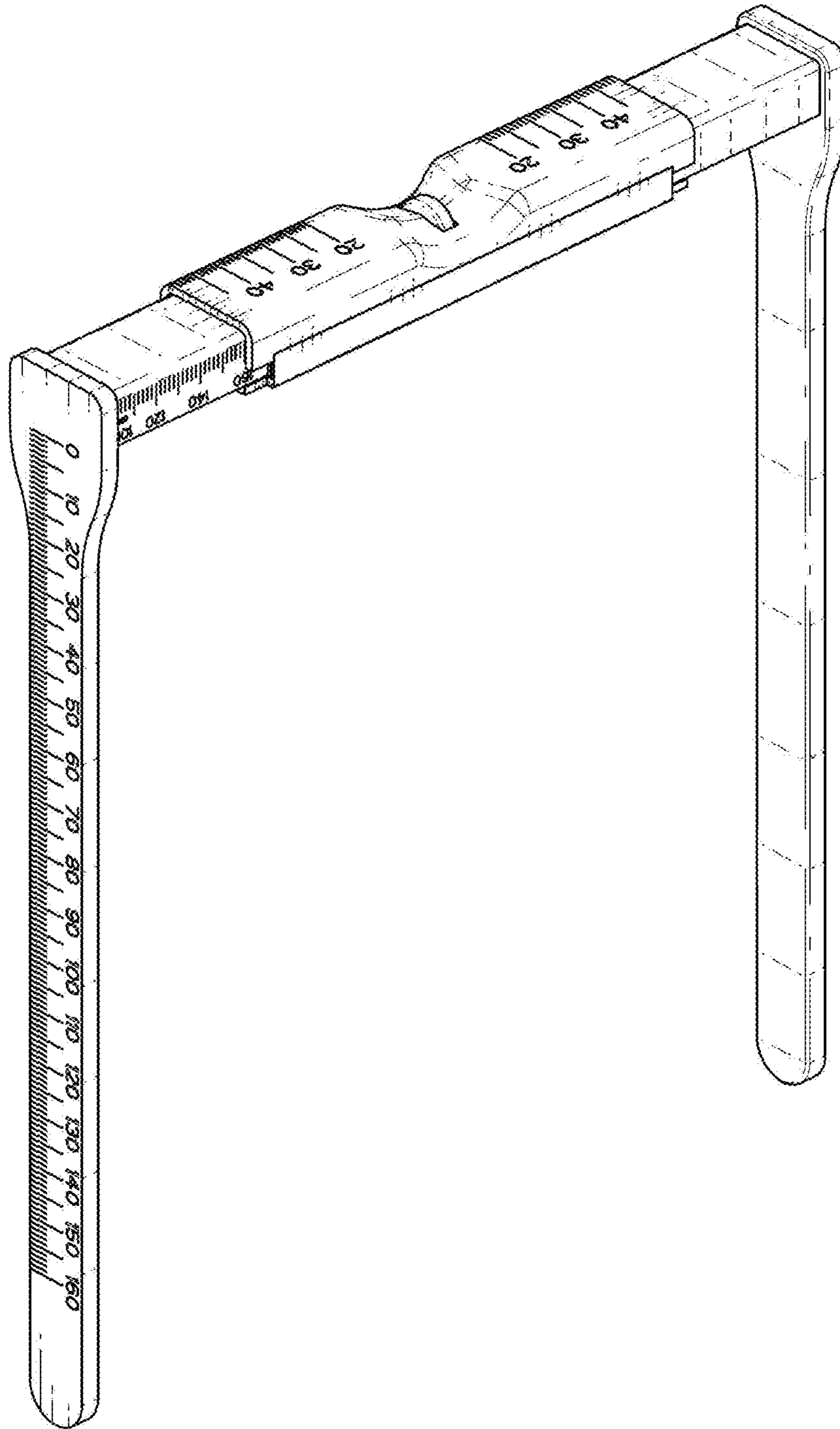


FIG. 4

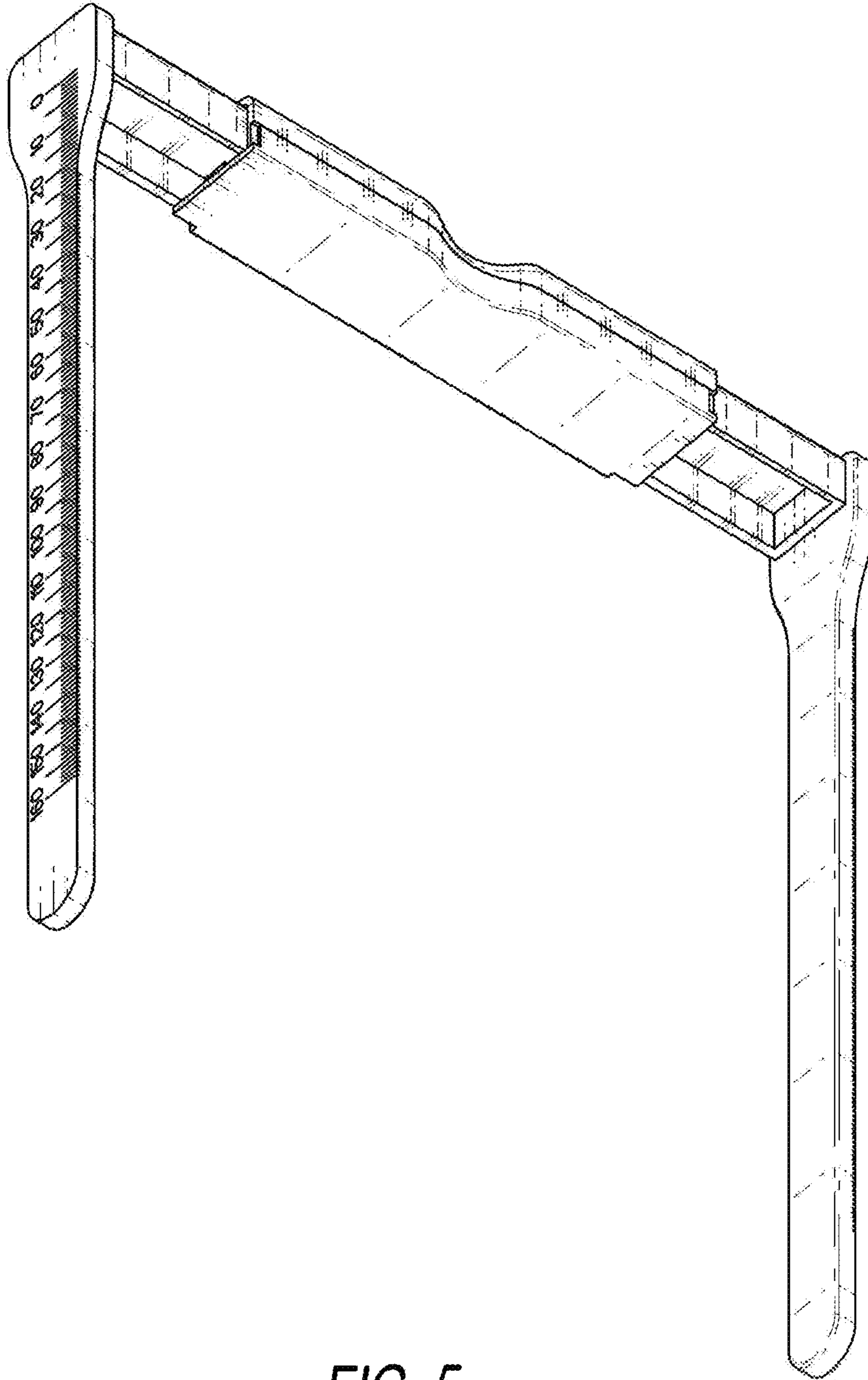


FIG. 5

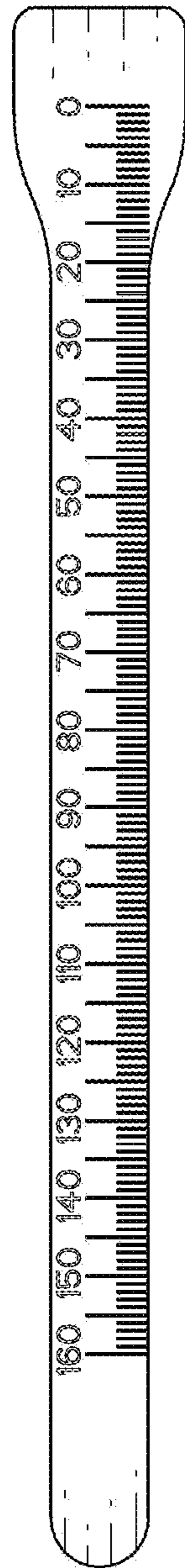


FIG. 6

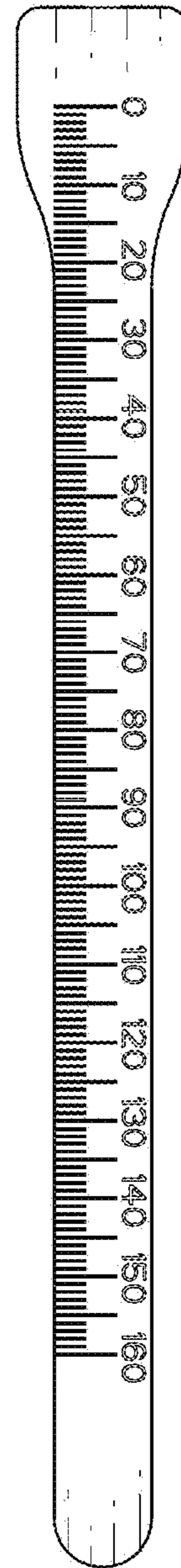


FIG. 7

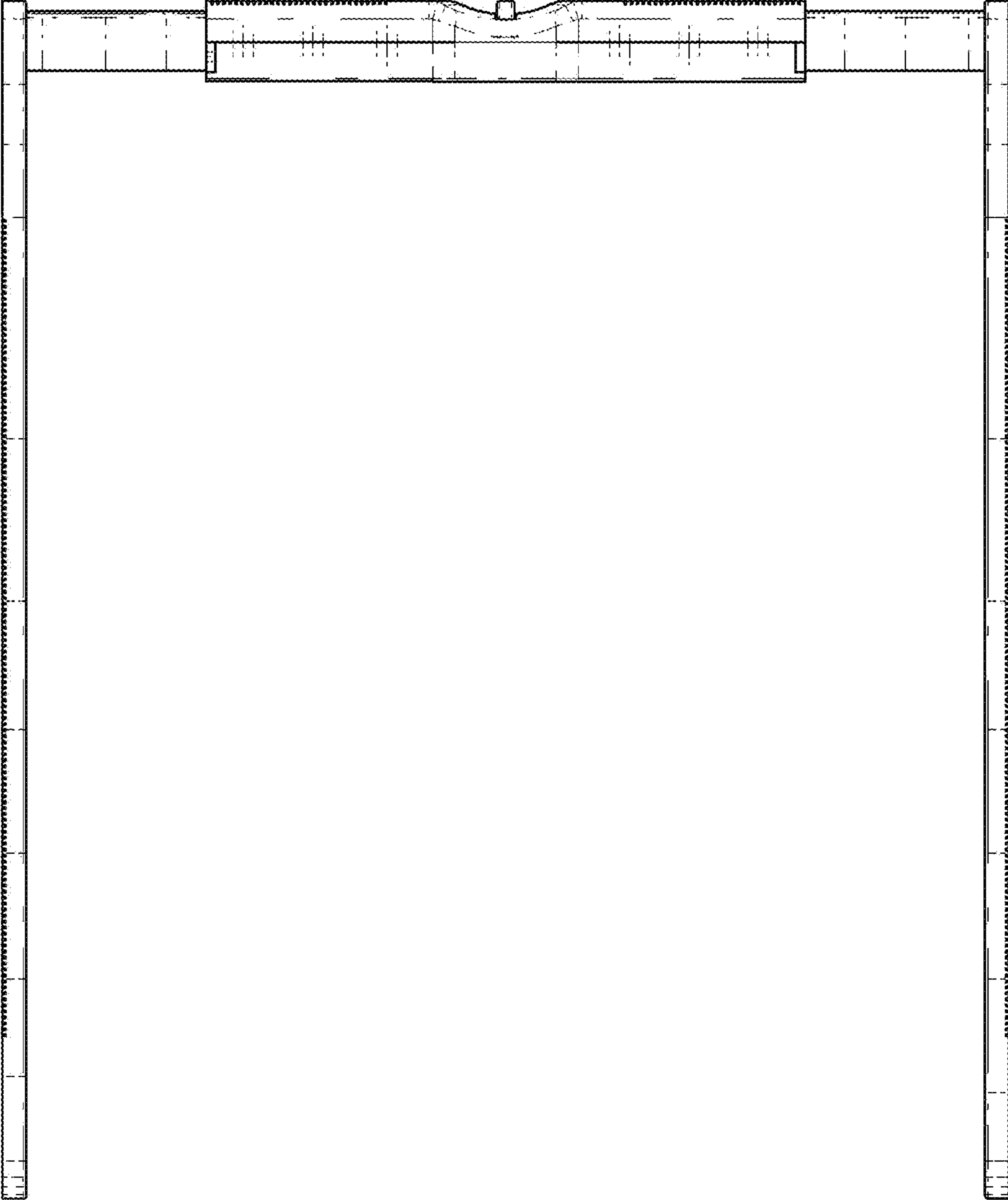


FIG. 8

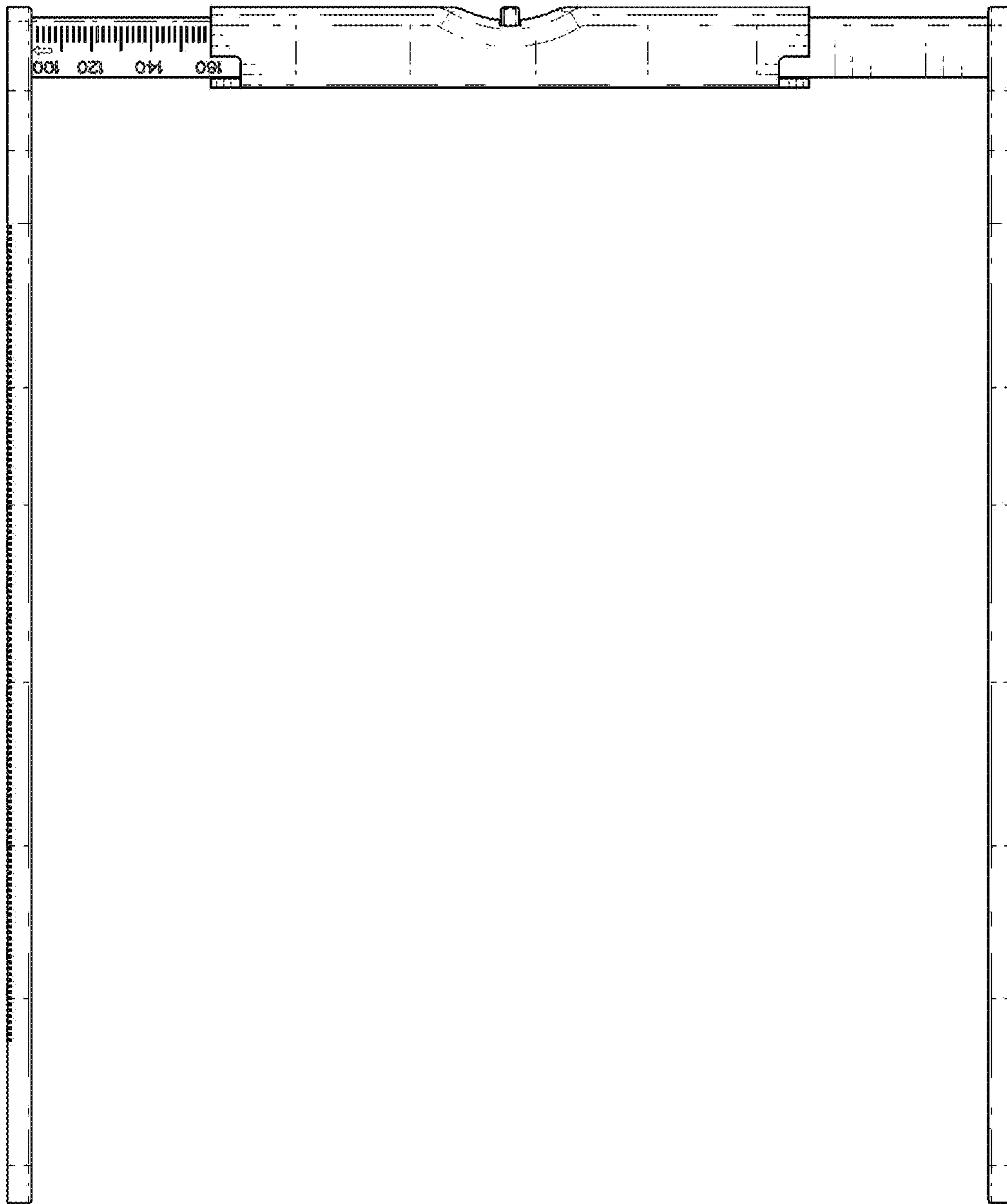


FIG. 9