



US00D943428S

(12) **United States Design Patent** (10) **Patent No.:** **US D943,428 S**
Kumar et al. (45) **Date of Patent:** **** Feb. 15, 2022**

- (54) **ORAL CARE IMPLEMENT PACKAGE**
- (71) Applicant: **Colgate-Palmolive Company**, New York, NY (US)
- (72) Inventors: **Maneesh Kumar**, Mumbai (IN); **Devesh Badola**, Mumbai (IN); **Swapnil Raut**, Mumbai (IN)
- (73) Assignee: **Colgate-Palmolive Company**, New York, NY (US)
- (**) Term: **15 Years**
- (21) Appl. No.: **29/659,616**
- (22) Filed: **Aug. 10, 2018**
- (51) **LOC (13) Cl.** **09-03**
- (52) **U.S. Cl.**
USPC **D9/756; D9/721**
- (58) **Field of Classification Search**
USPC D9/715, 721, 737, 756, 415, 418, 424; D4/105, 108
CPC B65D 75/367; B65D 75/527; B65D 75/36; B65D 2575/367; B65D 65/38; B65D 73/0021; B65D 75/323; A46B 2200/1066; A46B 15/0091; A46B 15/0093
See application file for complete search history.

- (56) **References Cited**
U.S. PATENT DOCUMENTS
3,288,280 A * 11/1966 Bostrom B65D 75/527 206/461
D262,095 S * 12/1981 Takahashi D9/415
RE31,571 E * 5/1984 Mann B65D 75/66 206/443
D317,867 S * 7/1991 Platte D9/415
D390,457 S * 2/1998 Hoska D9/707
D423,344 S * 4/2000 Kumakura D9/415
D480,301 S * 10/2003 Pratt D9/415
D499,018 S * 11/2004 Dato D9/722

D506,681 S *	6/2005	Raile	D9/737
D510,530 S *	10/2005	Raile	D9/737
D511,919 S *	11/2005	Descoteaux	D6/534
D536,261 S *	2/2007	Raile	D9/756
D734,146 S *	7/2015	Fischer	D9/424
9,155,601 B2 *	10/2015	Le	A61C 19/02
D781,140 S *	3/2017	Hubner	D9/415
D781,697 S *	3/2017	Hubner	D9/415
D782,296 S *	3/2017	Hubner	D9/415
D882,391 S *	4/2020	De Buhr	D9/415
D897,864 S *	10/2020	So	D9/737
D904,868 S *	12/2020	De Buhr	D9/415
D918,029 S *	5/2021	Reaux	D9/415
2003/0116459 A1 *	6/2003	Sarkar	B65D 75/367 206/362.1

(Continued)

FOREIGN PATENT DOCUMENTS

CN	3150480	6/2000
EP	3124398	2/2017

(Continued)

Primary Examiner — W. A. Teddy Falloway

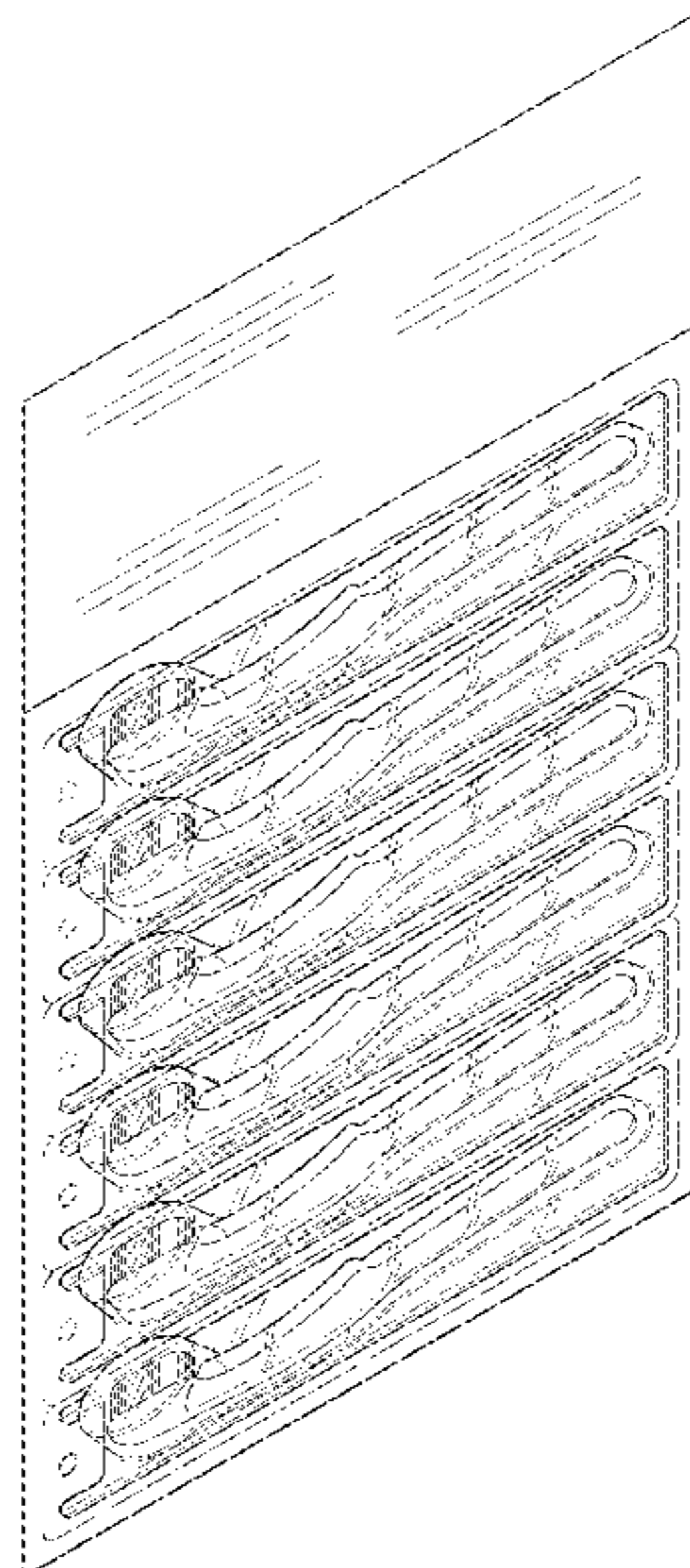
(57) **CLAIM**

The ornamental design for an oral care implement package, as shown and described.

DESCRIPTION

FIG. 1 is a front perspective view of an oral care implement package;
 FIG. 2 is a rear perspective view thereof;
 FIG. 3 is a front view thereof;
 FIG. 4 is a rear view thereof;
 FIG. 5 is a right side view thereof;
 FIG. 6 is a left side view thereof;
 FIG. 7 is a top view thereof; and,
 FIG. 8 is a bottom view thereof.
 The oblique lines in the drawings are used to depict transparent or translucent surfaces.

1 Claim, 6 Drawing Sheets



(56)

References Cited

U.S. PATENT DOCUMENTS

2004/0182733 A1* 9/2004 Dunlap A46B 15/0091
206/459.1
2006/0278561 A1* 12/2006 Schierlmann B65D 75/24
206/575
2017/0190490 A1* 7/2017 Mark B65D 73/0092
2017/0233156 A1* 8/2017 Shukla B65D 75/367
206/469
2021/0179331 A1* 6/2021 Kumar B65D 75/366

FOREIGN PATENT DOCUMENTS

KR 3003984560000 11/2005
KR 3003984570000 11/2005
KR 3009087250000 5/2017
TW M421922 U 2/2012

* cited by examiner

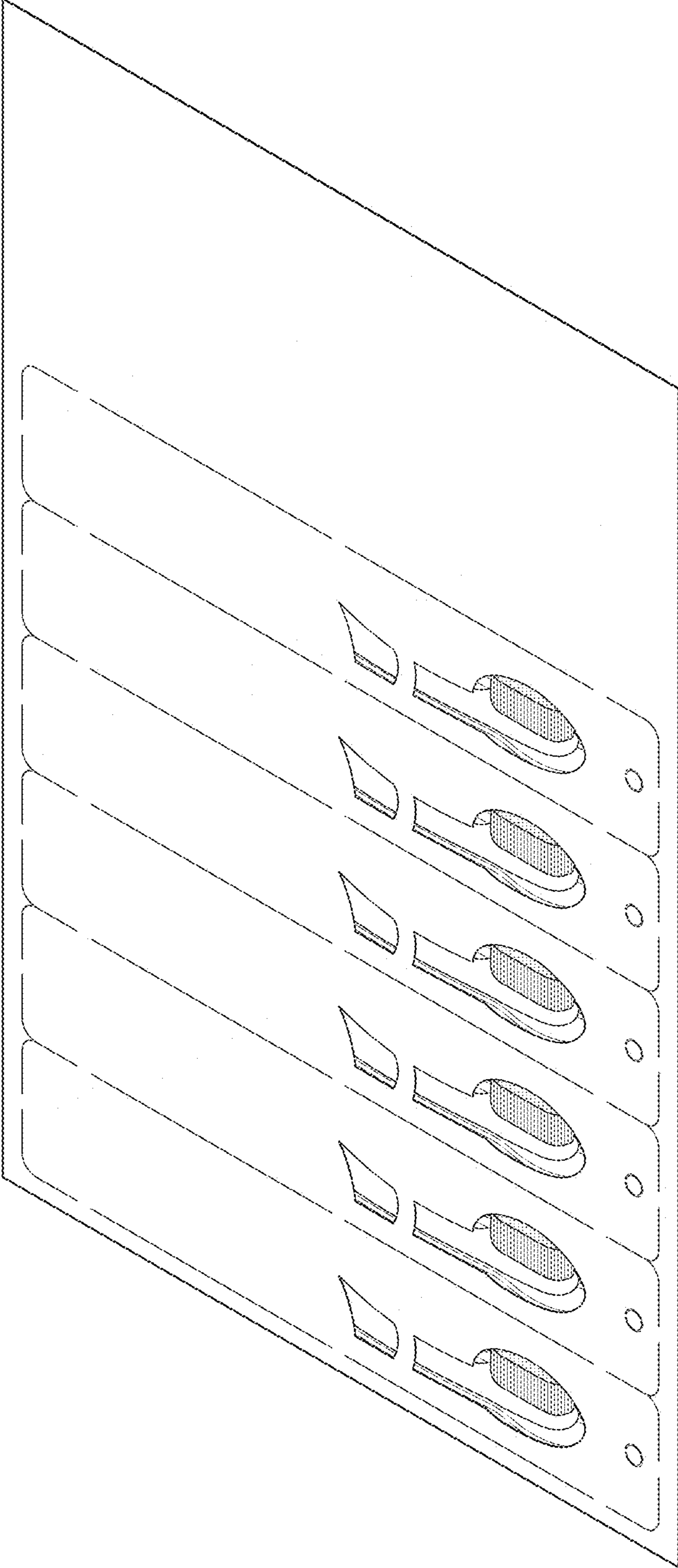


FIG. 1

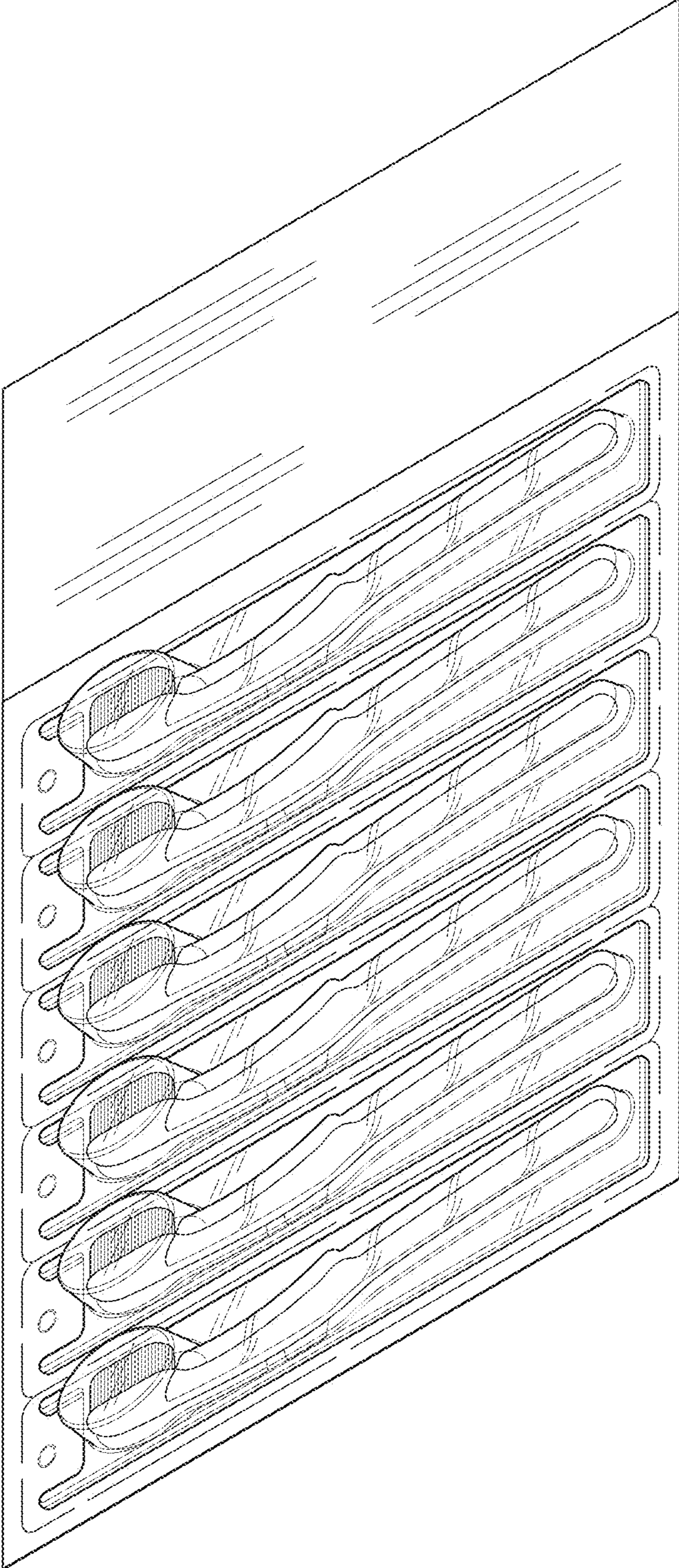


FIG. 2

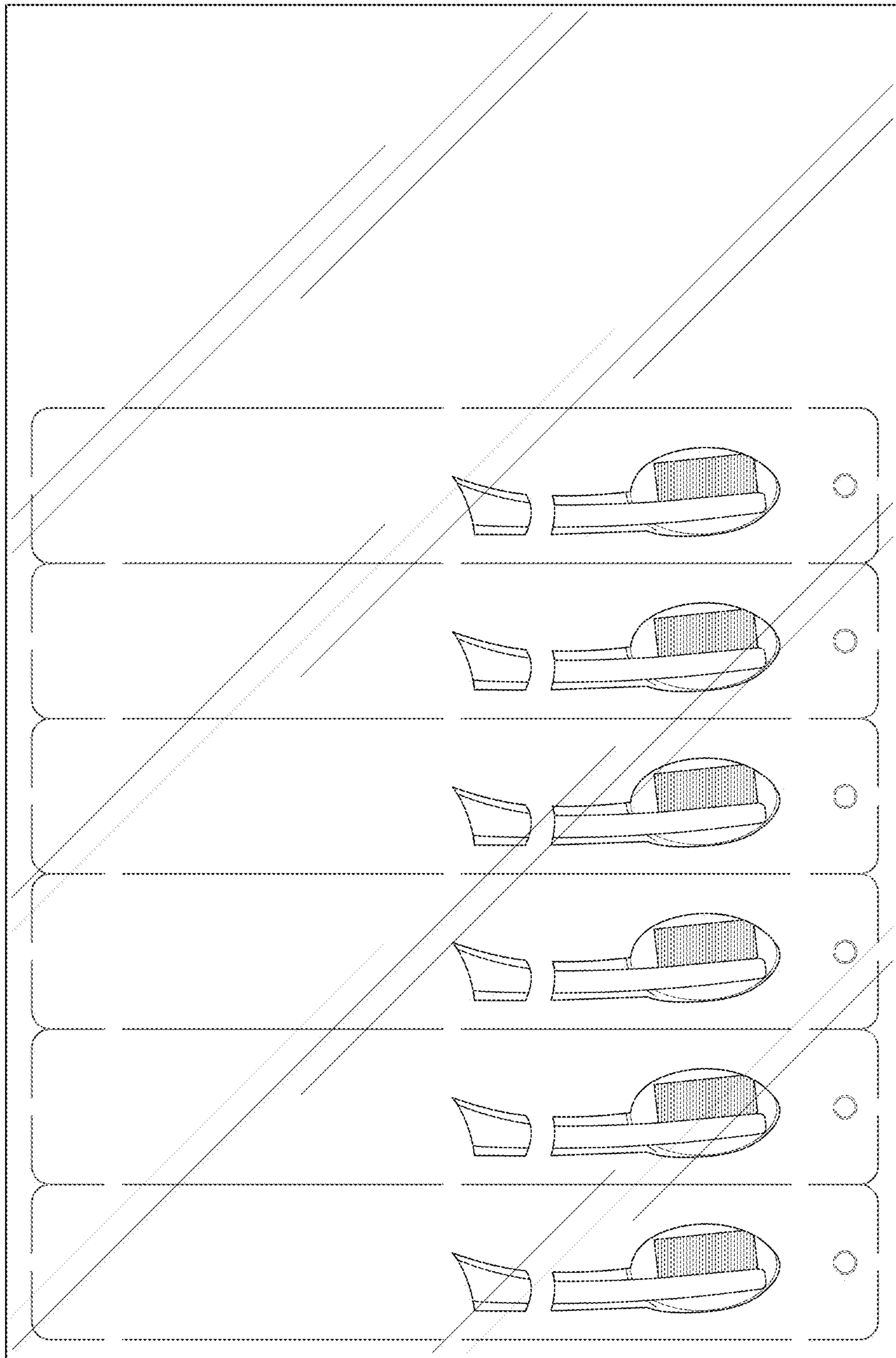


FIG. 3

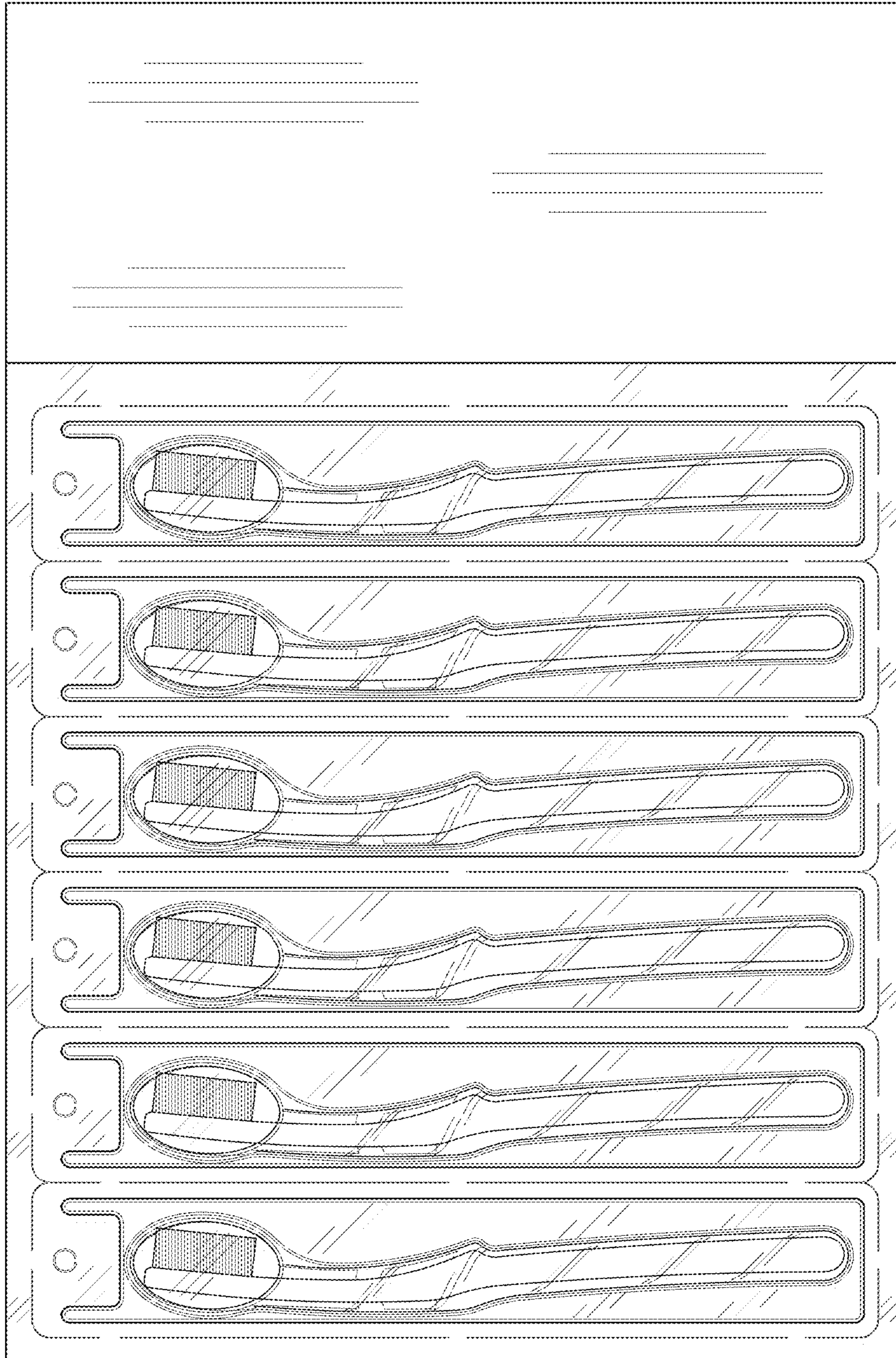


FIG. 4

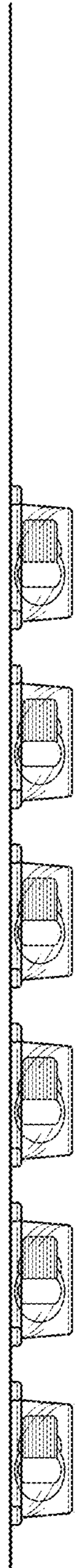


FIG. 5



FIG. 6

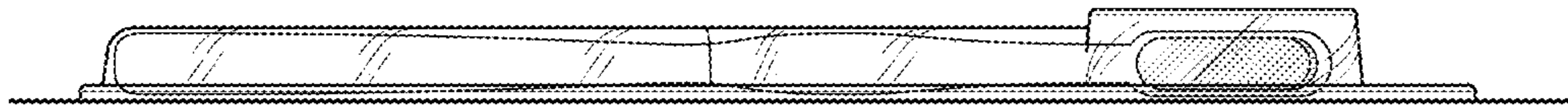


FIG. 7

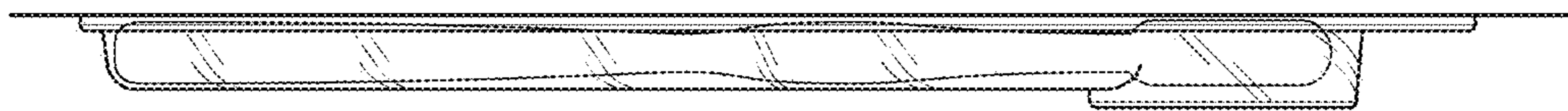


FIG. 8