



US00D943427S

(12) **United States Design Patent**
García Cendejas

(10) **Patent No.:** **US D943,427 S**

(45) **Date of Patent:** **** Feb. 15, 2022**

(54) **CAN HOLDER**

(71) Applicant: **E6PR S.A.P.I. DE C.V.**, Mexico City (MX)

(72) Inventor: **Juan Francisco García Cendejas**, Mexico City (MX)

(73) Assignee: **E6PR S.A.P.I. DE C.V.**, Mexico City (MX)

(**) Term: **15 Years**

(21) Appl. No.: **29/725,850**

(22) Filed: **Feb. 27, 2020**

(30) **Foreign Application Priority Data**

Aug. 27, 2019 (MX) MX/f/2019/002336

(51) **LOC (13) Cl.** **09-03**

(52) **U.S. Cl.**
USPC **D9/752**

(58) **Field of Classification Search**

USPC D9/737, 751-756, 455, 456, 517, 716, D9/719; D7/553.1, 553.4, 553.5, 553.8, D7/555, 701, 708; D3/310-315
CPC B65D 71/50; B65D 71/504; B65D 25/108; B65D 71/0003; B65D 71/42; B65D 71/70; B65D 2571/0066; B65D 71/44; B65D 15/00; B65D 1/36; B65D 71/40; B65D 71/406; B65D 71/48; B65D 2571/00444; B65D 65/463; B65D 71/00; A47G 23/0641; A47G 23/0266; B31B 2105/00; B31B 50/00; B31B 2100/00; B31B 2120/20; B65B 3/00; B65B 17/025; D21J 3/02

See application file for complete search history.

(56) **References Cited**

U.S. PATENT DOCUMENTS

2,936,070 A 5/1960 Poupitch
3,200,944 A * 8/1965 Rapata B65D 71/50
206/161

3,300,041 A 1/1967 Fuller
3,346,106 A * 10/1967 Gooding B65D 71/50
206/151
3,664,497 A 5/1972 Mascia
3,711,145 A * 1/1973 Rapata B65D 71/504
294/87.2

(Continued)

FOREIGN PATENT DOCUMENTS

BR 302017005050-6 A1 5/2018
CA 2101414 A1 1/1994

(Continued)

OTHER PUBLICATIONS

Edible Six Pack Ring (via E6PR.com), available Mar. 28, 2017, [online], [site visited Jan. 7, 2018]. Available from internet, <URL: <https://web.archive.org/web/20170328162325/https://www.e6pr.com/>>.

(Continued)

Primary Examiner — W. A. Teddy Falloway

(74) *Attorney, Agent, or Firm* — Mayer Brown LLP

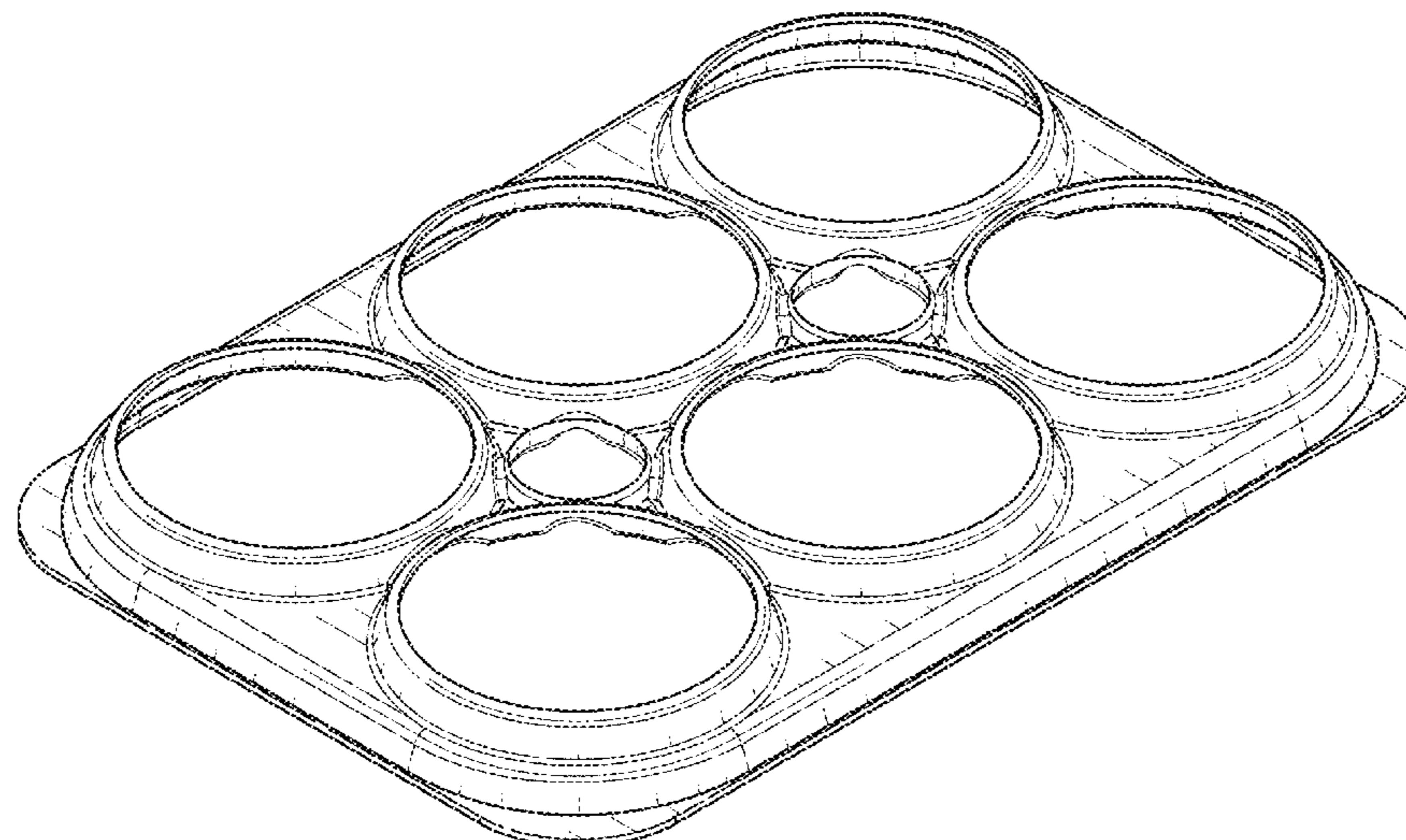
(57) **CLAIM**

The ornamental design for a can holder, as shown and described.

DESCRIPTION

FIG. 1 is a perspective view of a can holder according to my new design;
FIG. 2 is a front view thereof;
FIG. 3 is a rear view thereof;
FIG. 4 is a top view thereof;
FIG. 5 is a bottom view thereof;
FIG. 6 is a right-side view thereof; and,
FIG. 7 is a left-side view thereof.

1 Claim, 4 Drawing Sheets



(56)

References Cited

U.S. PATENT DOCUMENTS

3,884,354 A * 5/1975 Guenther B65D 71/50
206/427

4,005,644 A 2/1977 Tranquillitsky

4,120,396 A 10/1978 Mascia et al.

4,136,772 A 1/1979 Mascia et al.

4,139,094 A 2/1979 Berry et al.

4,332,325 A 6/1982 Manizza

D270,428 S 9/1983 Arfert

4,453,630 A 6/1984 Helms et al.

4,574,949 A 3/1986 Rhoads

4,606,454 A * 8/1986 Hambleton B65D 71/10
206/147

4,789,063 A * 12/1988 Hammett B65D 71/70
206/139

4,896,774 A * 1/1990 Hammett B65D 71/70
206/427

5,186,321 A 2/1993 Fadus

5,221,002 A 6/1993 Garganese

D342,023 S 12/1993 Bonkowski

5,285,892 A 2/1994 Adami et al.

D345,081 S * 3/1994 Adami D7/391

5,320,216 A 6/1994 Pangborn

5,356,518 A 10/1994 Kelley et al.

D354,227 S 1/1995 Adami et al.

5,415,278 A 5/1995 Sutherland

5,503,267 A 4/1996 Sutherland

5,551,566 A 9/1996 Sutherland

5,553,704 A 9/1996 Gordon et al.

5,562,205 A 10/1996 Diaz

D388,702 S * 1/1998 Mindel D9/434

D430,014 S 8/2000 Hackmeister

6,129,397 A 10/2000 Borg

6,361,746 B1 3/2002 Wlodarski

D653,560 S 2/2012 Smithers

D700,526 S 3/2014 Borg et al.

D705,666 S 5/2014 Borg et al.

D721,598 S 1/2015 Borg

D722,891 S 2/2015 Borg et al.

D786,702 S 5/2017 Borg et al.

9,986,860 B2 6/2018 Hawley et al.

D854,424 S * 7/2019 Lauria D21J 7/00
D9/752

D918,527 S * 5/2021 Garcia Cendejas D1/106

11,027,905 B2 * 6/2021 Ford B65B 17/025

2004/0003573 A1 1/2004 Moore

2005/0138887 A1 6/2005 Kanachowski

2005/0139500 A1 6/2005 Smithers

2010/0062248 A1 3/2010 Kimura et al.

2011/0028427 A1 2/2011 McManus

2012/0227361 A1 * 9/2012 Bates B65D 71/504
53/443

2012/0305010 A1 12/2012 Mishra et al.

2014/0166518 A1 * 6/2014 Chapel B65D 85/52
206/423

2014/0300026 A1 10/2014 Taccolini

2016/0251114 A1 9/2016 Lee et al.

2018/0016750 A1 1/2018 Lauria et al.

2018/0222650 A1 8/2018 Zacherle

2018/0362234 A1 12/2018 L'Heureux et al.

2019/0135512 A1 * 5/2019 Kooc B65D 71/42

2019/0329951 A1 * 10/2019 Borg B29C 45/0081

2020/0056335 A1 * 2/2020 Chung D21H 17/55

2021/0039856 A1 * 2/2021 Chung D21H 17/56

FOREIGN PATENT DOCUMENTS

CN 304640378 S 5/2018

EM 004499879-0001 5/2018

OTHER PUBLICATIONS

Saltwater Brewery "Edible Six Pack Rings" (via YouTube.com), available May 12, 2016, [online], [site visited Jan. 7, 2018]. Video available from internet, <URL: <https://www.youtube.com/watch?v=-YG9gUJMGyw>.

Fishbone Packaging Inc., available Feb. 10, 2016, [online], [site visited Jan. 7, 2018]. Video available from internet, <URL: <https://web.archive.org/web/20160210131122/http://www.fishbonepackaging.co/>.

Daikin America; Unidyne TG-8811 Technical Data Sheet; Revised Feb. 9, 2016; <https://Daikin-america.com/wp-content/uploads/2013/07/TDS-TG-018-TG-8811-Surface.pdf>; full page of Technical data Sheet.

International Search Report of Patent App. No. PCT/US17/40808 dated Sep. 28, 2017.

Niland, O., "Brewery replaces plastic six-pack rings with fish food," May 19, 2016; Mashable .com; <http://mashable.com/2016/05/20/edible-six-pack-rings-beer/#4e1Wy45dF Gq D>; pp. 2-4 of pdf file. Photographs published on Facebook on and before Jan. 4, 2018, accessed and downloaded on Dec. 3, 2020 from: <http://facebook.com/photo?fbid=1904539073190516>.

* cited by examiner

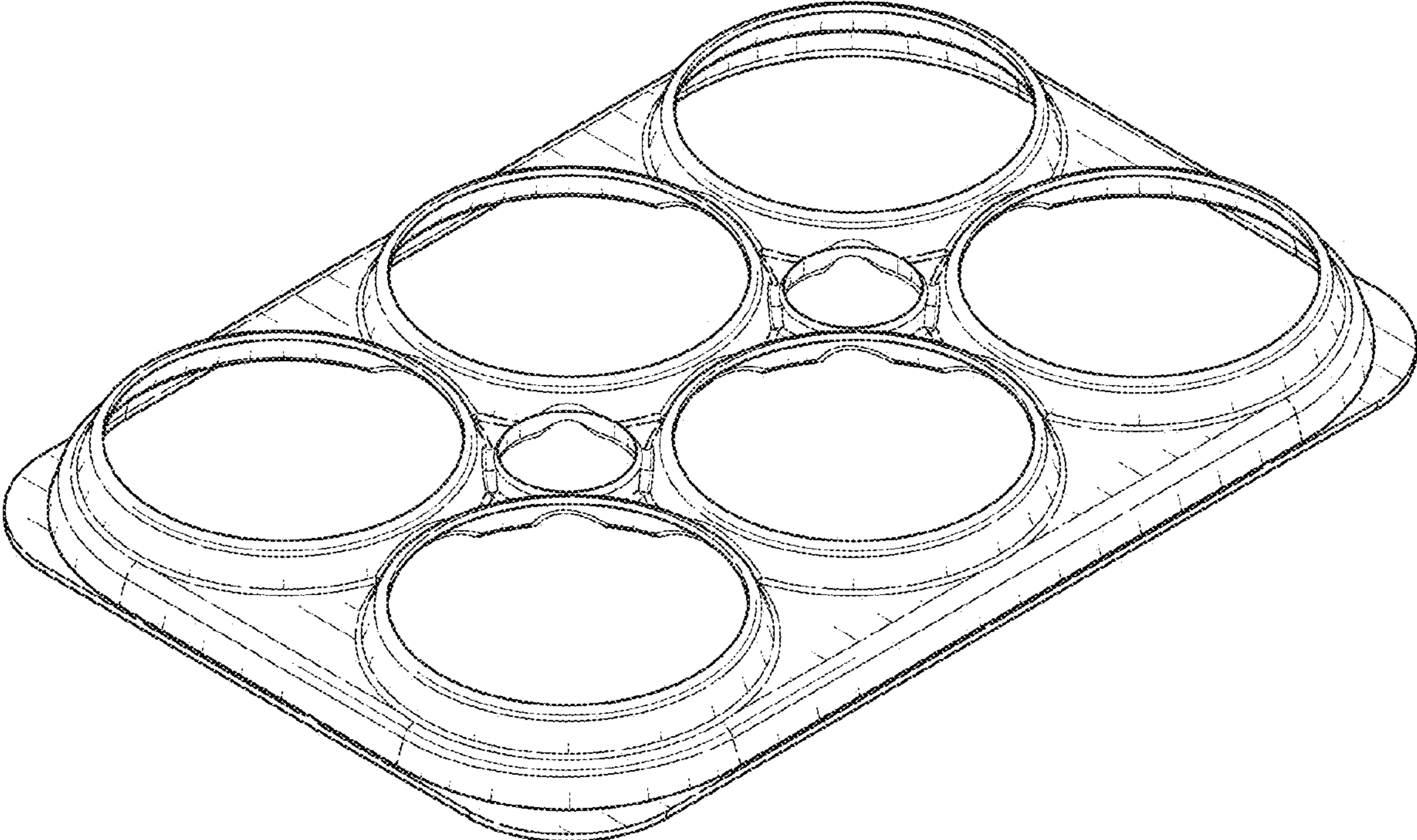


FIG. 1

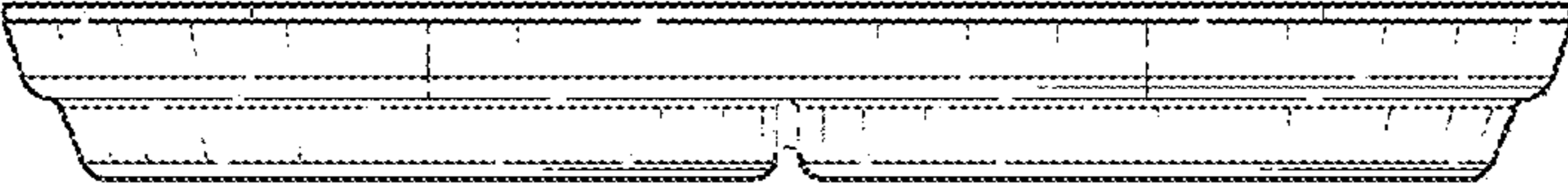


FIG. 2

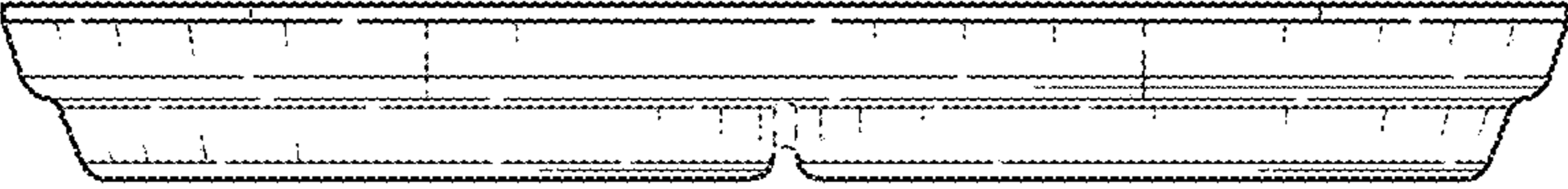


FIG. 3

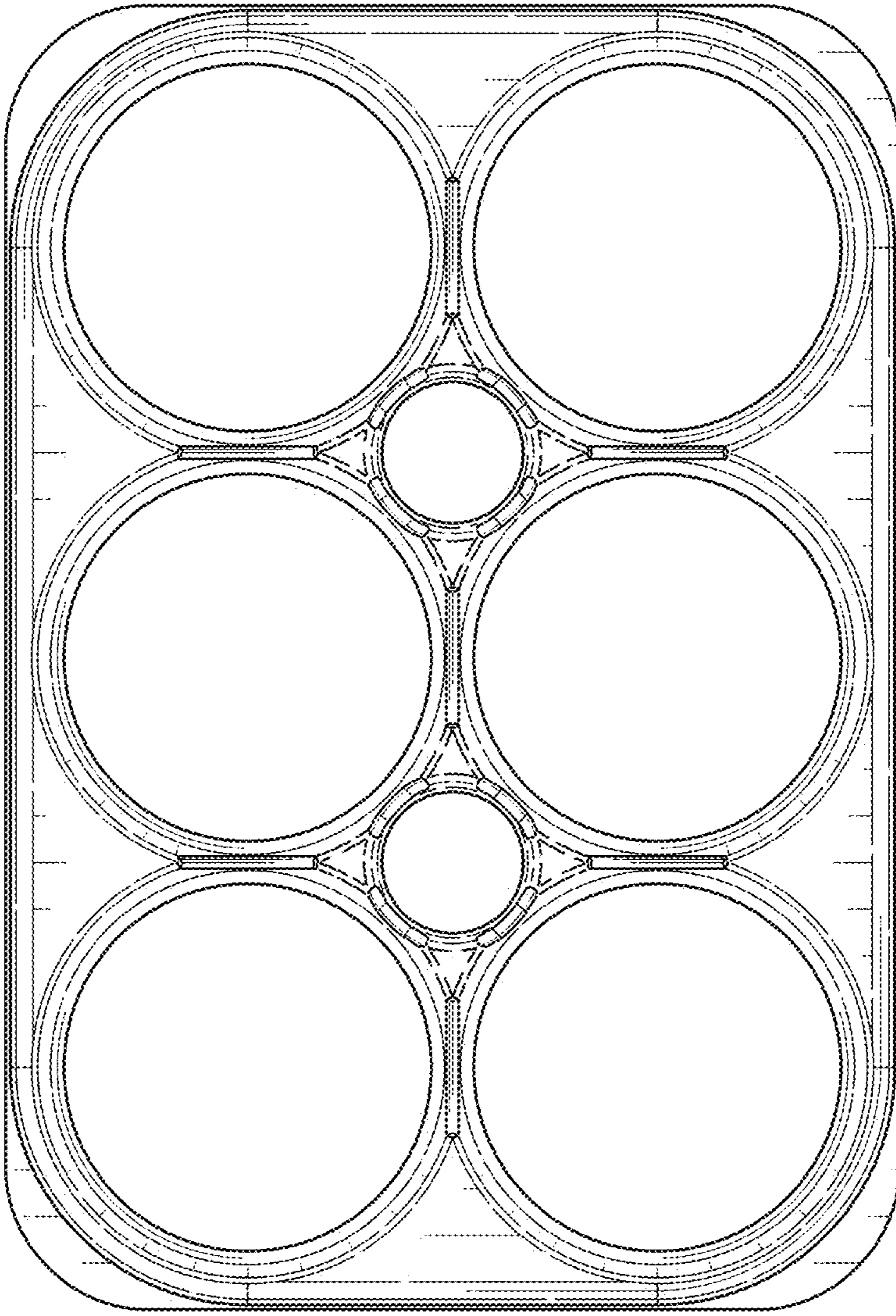


FIG. 4

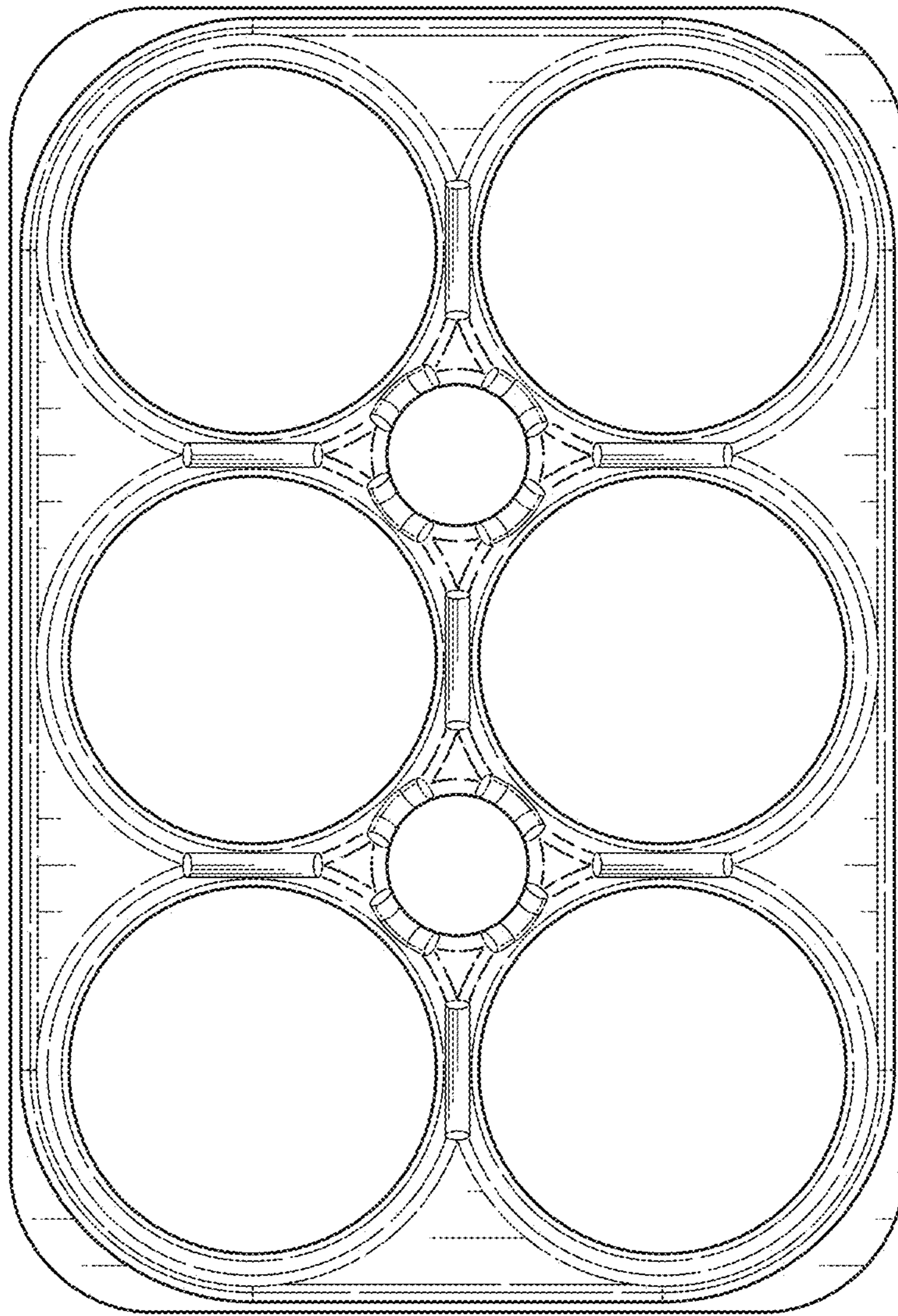


FIG. 5

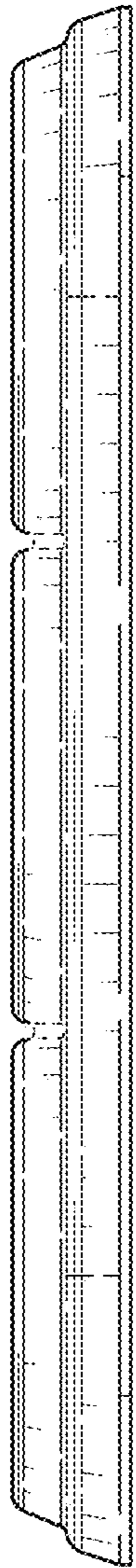


FIG. 6

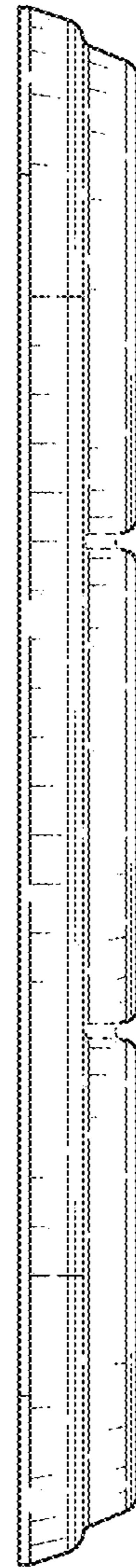


FIG. 7