



US00D943419S

(12) **United States Design Patent** (10) **Patent No.:** **US D943,419 S**
Zhang (45) **Date of Patent:** **** Feb. 15, 2022**

(54) **SPOUT LID WITH HANDLE**
(71) Applicant: **Yongkang Qiqing Industry and Trade Co., Ltd., Jinhua (CN)**

D817,085 S * 5/2018 Davis D7/392.1
D820,635 S * 6/2018 Hammer D7/392.1
D824,721 S * 8/2018 Hu D7/392.1
D843,778 S * 3/2019 Yao D7/392.1
D847,563 S * 5/2019 Jacobsen D7/396.2

(72) Inventor: **Bo Zhang, Gongxian (CN)**

(Continued)

(**) Term: **15 Years**

OTHER PUBLICATIONS

(21) Appl. No.: **29/749,153**

Chug Lid and Straw Cap: Announced Aug. 20, 2019 [online]. Site Visited [Mar. 24, 2021]. Available from Internet URL: <https://www.amazon.com/Release-Replacement-Vacuum-Insulated-Bottle/dp/B07WVVPBYW>.*

(22) Filed: **Sep. 3, 2020**

(Continued)

(51) **LOC (13) Cl.** **09-07**

(52) **U.S. Cl.**
USPC **D9/450; D9/435; D9/445; D9/447; D9/449**

Primary Examiner — Eric L Goodman
Assistant Examiner — Sarah L Smith
(74) *Attorney, Agent, or Firm* — Rumit Ranjit Kanakia

(58) **Field of Classification Search**
USPC D6/515, 542; D7/391, 392, 392.1, 396.1, D7/396.2, 397, 398; D9/434, 435, 436, D9/439, 440, 447, 448, 449, 450, 452, D9/454, 682, 685, 686, 688, 690, 723, D9/729, 503, 504, 505, 516, 529, 548, D9/549
CPC B65D 47/065; B65D 47/066; B65D 1/46; B65D 41/00; B65D 41/38; B65D 41/56; B65D 41/63; B65D 47/00; B65D 47/06; B65D 47/08; B65D 2251/00; B65D 85/804; B65D 25/082; A47G 19/2205; A47G 19/2222; A45F 3/16; A45F 3/20; B67D 7/06; B67D 7/0004; A61J 1/00; A61J 1/1412; A47J 31/407

(57) **CLAIM**
I claim the ornamental design for a spout lid with handle, as shown and described.

See application file for complete search history.

DESCRIPTION

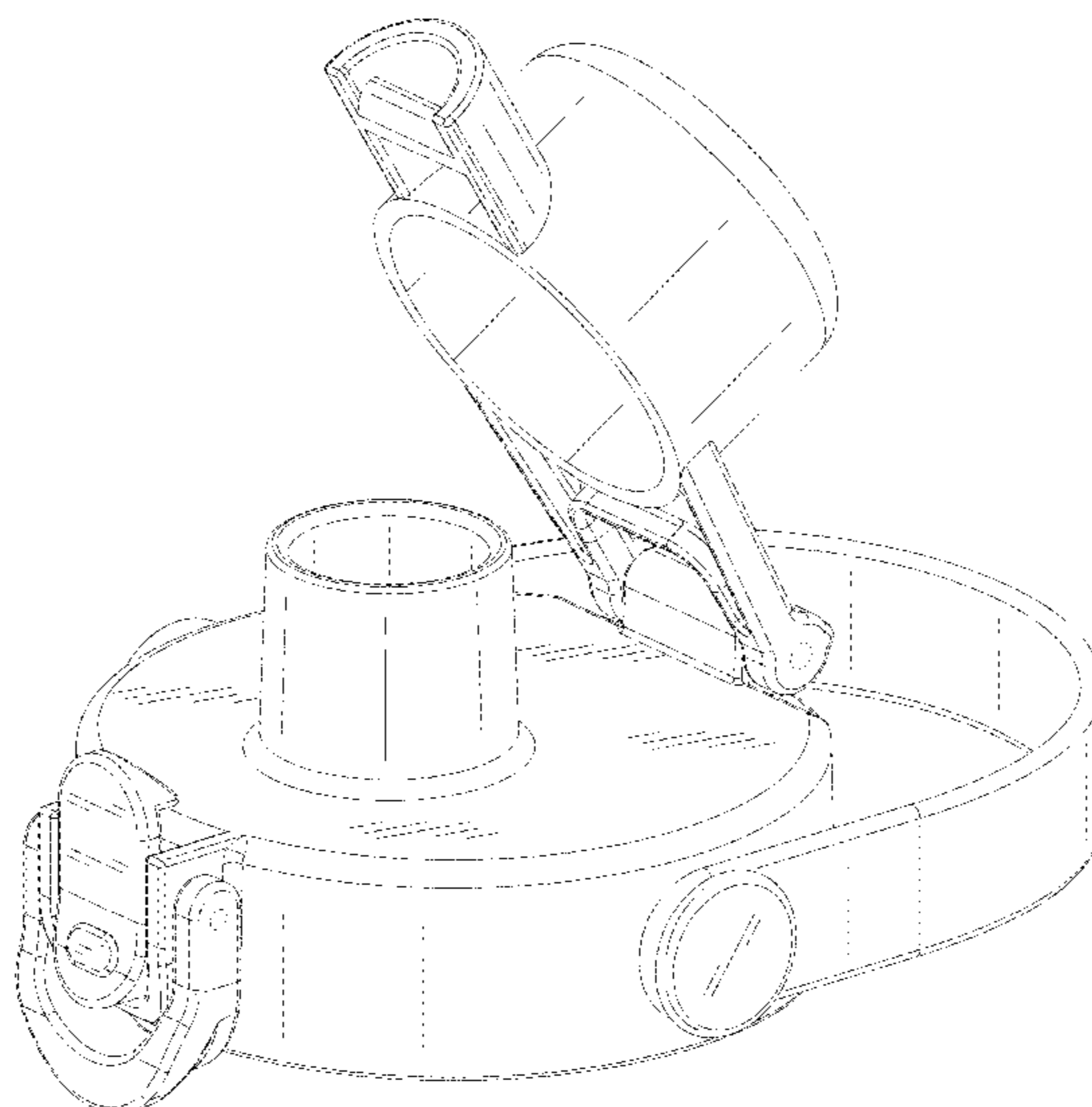
(56) **References Cited**

U.S. PATENT DOCUMENTS

D543,454 S * 5/2007 Leoncavallo D9/449
D644,060 S 8/2011 Komeiji
D734,151 S 7/2015 Herbst
D793,154 S 8/2017 Sorensen et al.
D801,111 S * 10/2017 Eyal D7/392.1
D807,110 S * 1/2018 Lown D7/391
D817,084 S * 5/2018 Hammer D7/392.1

FIG. 1 is a Perspective view of a spout lid with handle showing my new design, showing the handle feature in a horizontal position of use and showing the spout lid in an open position of use;
FIG. 2 is a Front view thereof;
FIG. 3 is a Back view thereof;
FIG. 4 is a Right-side view thereof;
FIG. 5 is a Top view thereof;
FIG. 6 is a Bottom view thereof;
FIG. 7 is another perspective view thereof; showing the handle feature in a vertical position of use and showing the spout lid in a closed position of use; and,
FIG. 8 is another perspective view of a spout lid with handle, showing the handle feature in a horizontal position of use. The broken lines are for the purpose of illustrating portions of the article that form no part of the claim.

1 Claim, 8 Drawing Sheets



(56)

References Cited

U.S. PATENT DOCUMENTS

D848,786 S * 5/2019 Bujalska D7/392.1
 D858,181 S * 9/2019 Lown D7/392.1
 D862,977 S * 10/2019 Bohman D7/392
 D867,811 S * 11/2019 Lane D7/392
 D870,509 S * 12/2019 Bo D7/392.1
 D882,335 S * 4/2020 Lane D7/396.2
 D884,418 S * 5/2020 Wang D7/396.2
 D886,518 S * 6/2020 Li D7/392.1
 D889,199 S * 7/2020 Shepard D7/396.2
 D894,669 S * 9/2020 Lane D7/392
 D896,024 S * 9/2020 Wang D7/392.1
 D899,188 S * 10/2020 Wang D7/510
 D900,536 S * 11/2020 Yao D7/392.1
 D902,648 S * 11/2020 Wang D7/392.1
 D902,655 S * 11/2020 Wang D7/510
 D904,109 S * 12/2020 Yao D7/392.1
 D905,498 S * 12/2020 Zhang D7/392.1
 D913,036 S * 3/2021 Steenari D7/392.1

2015/0329255 A1* 11/2015 Rzepecki B65D 47/0885
 222/189.06
 2017/0196384 A1* 7/2017 Shen B65D 51/242
 2018/0362225 A1* 12/2018 Davies A45F 3/16

OTHER PUBLICATIONS

New Aquatix Sports Bottle: Announced Mar. 1, 2016 (online). Site Visited [Mar. 23, 2021]. Available from Internet URL: https://www.amazon.com/Aquatix-Stainless-Insulated-Bottle-Convenient/dp/B079KKNZC4/ref=sr_1_135?dchild=1&keywords=Sports+Bottle+Caps&qid=1%E2%80%A6.*

Opard 30 Oz Sports Water Bottle: Announced Jul. 14, 2020 (online). Site Visited [Mar. 23, 2021]. Available from Internet URL : https://www.amazon.com/Opard-Reusable-Plastic-Outdoor-Gradient/dp/B089QGRT8F/ref=sr_1_38?dchild=1&keywords=Sports+Bottle+Caps&qid=1%E2%80%A6.*

* cited by examiner

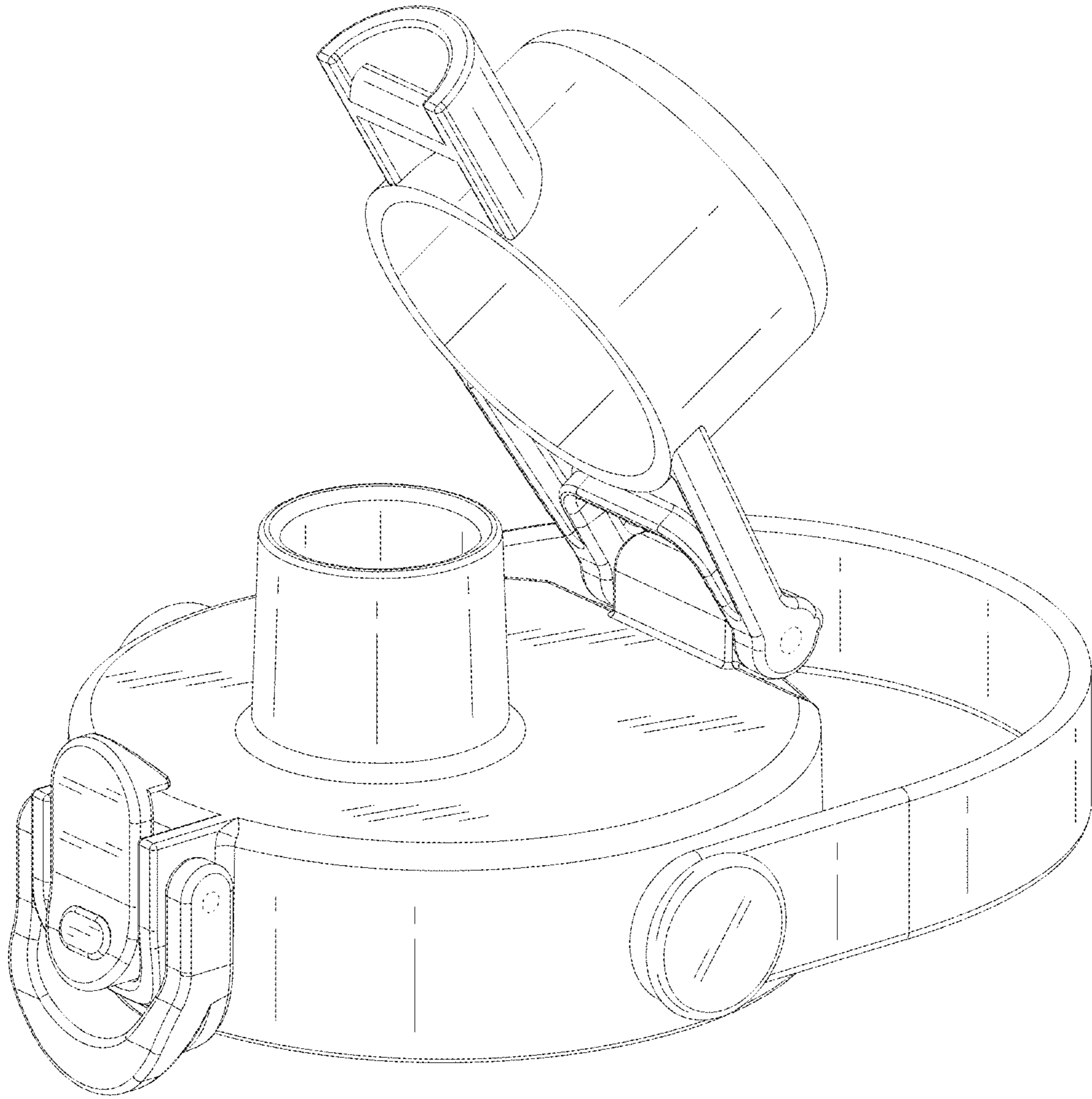


FIG. 1

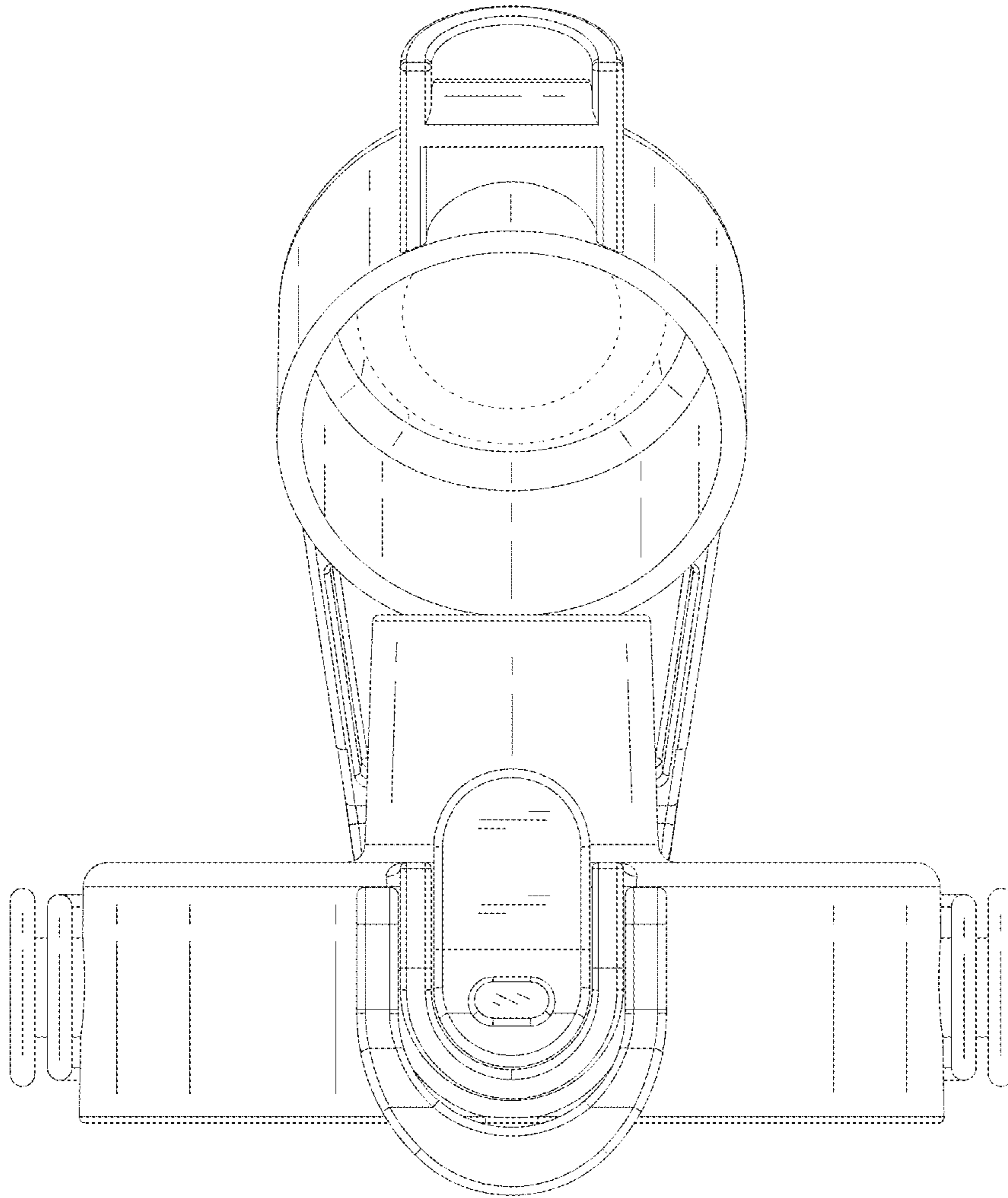


FIG. 2

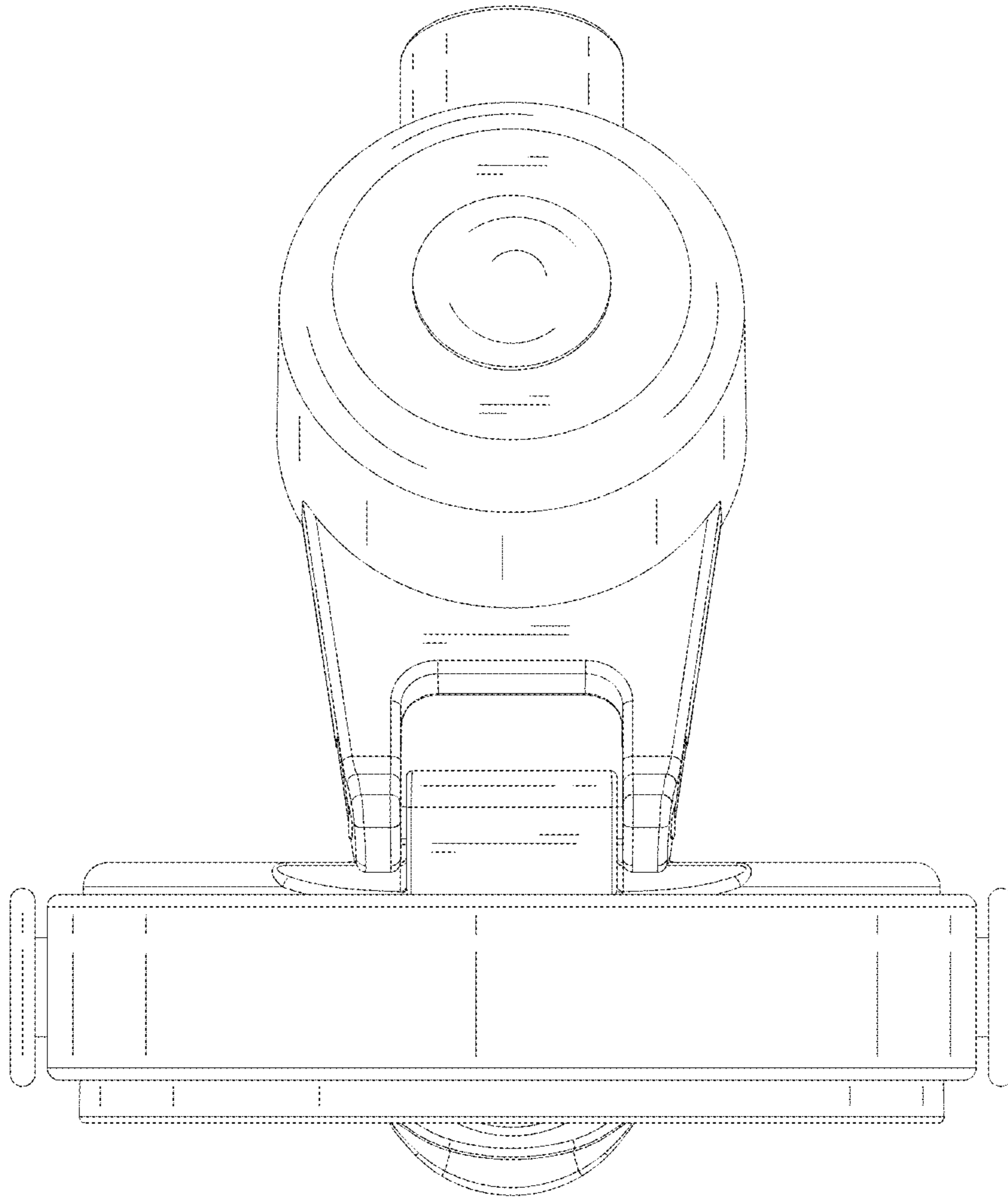


FIG. 3

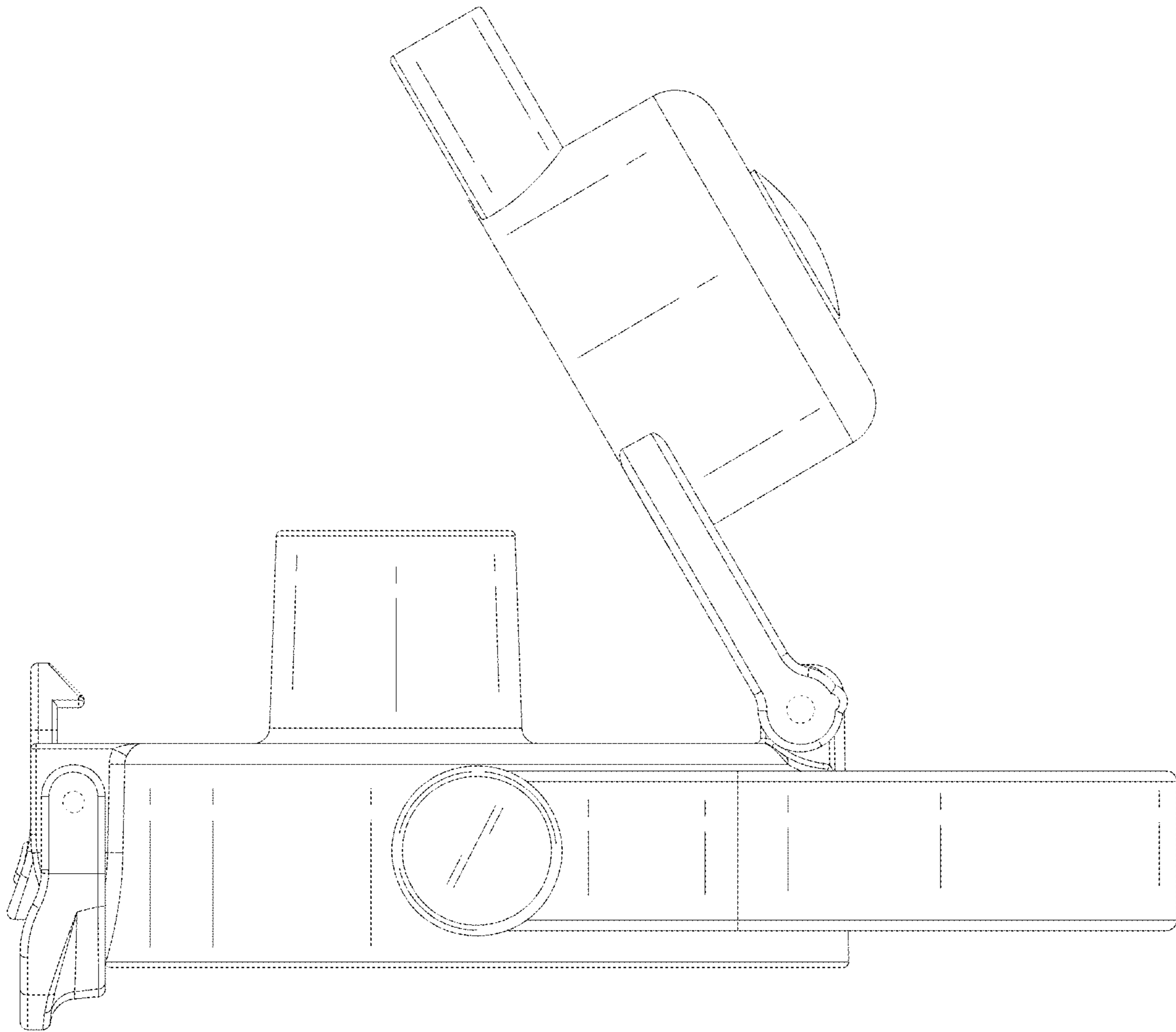


FIG. 4

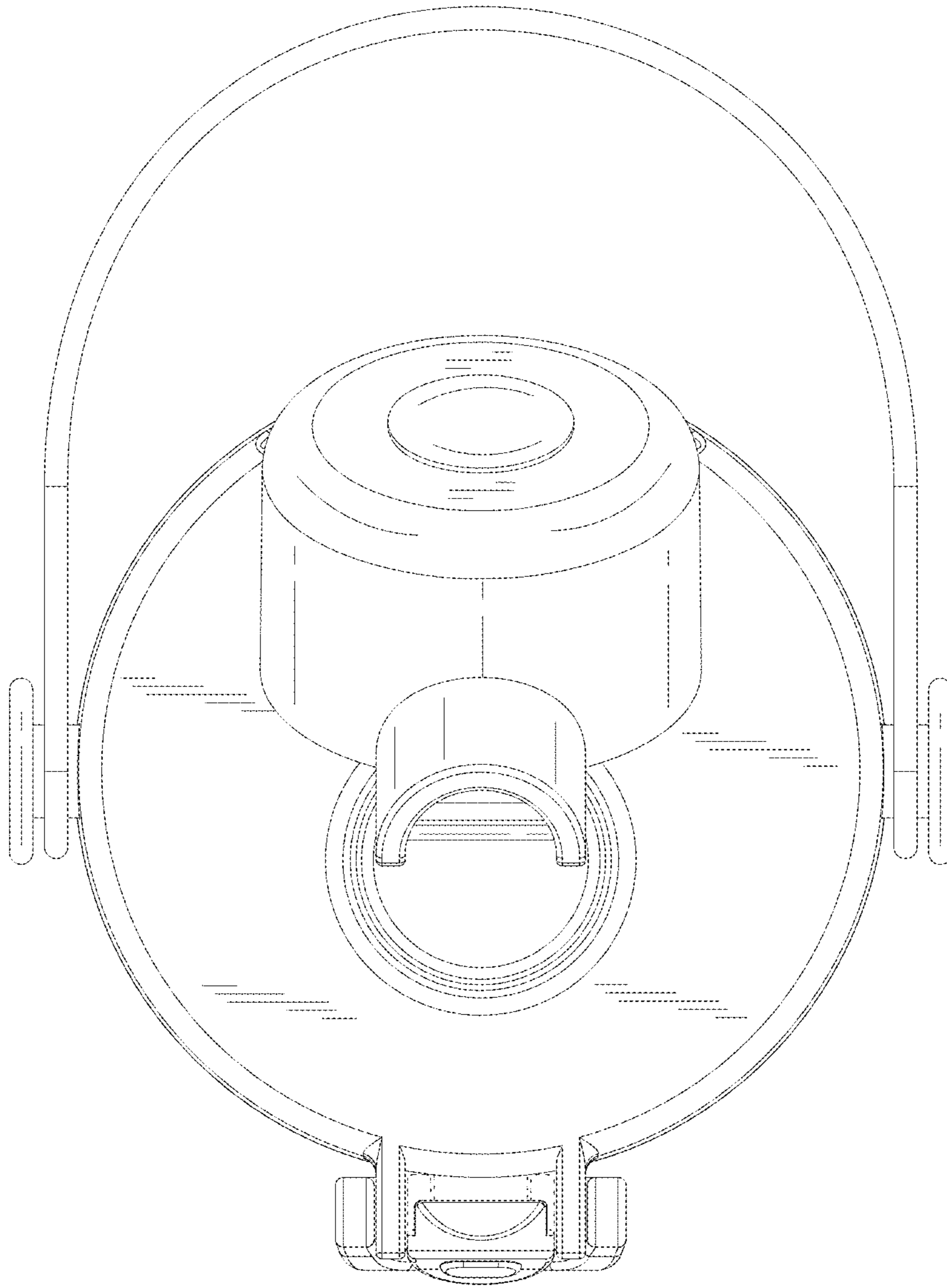


FIG. 5

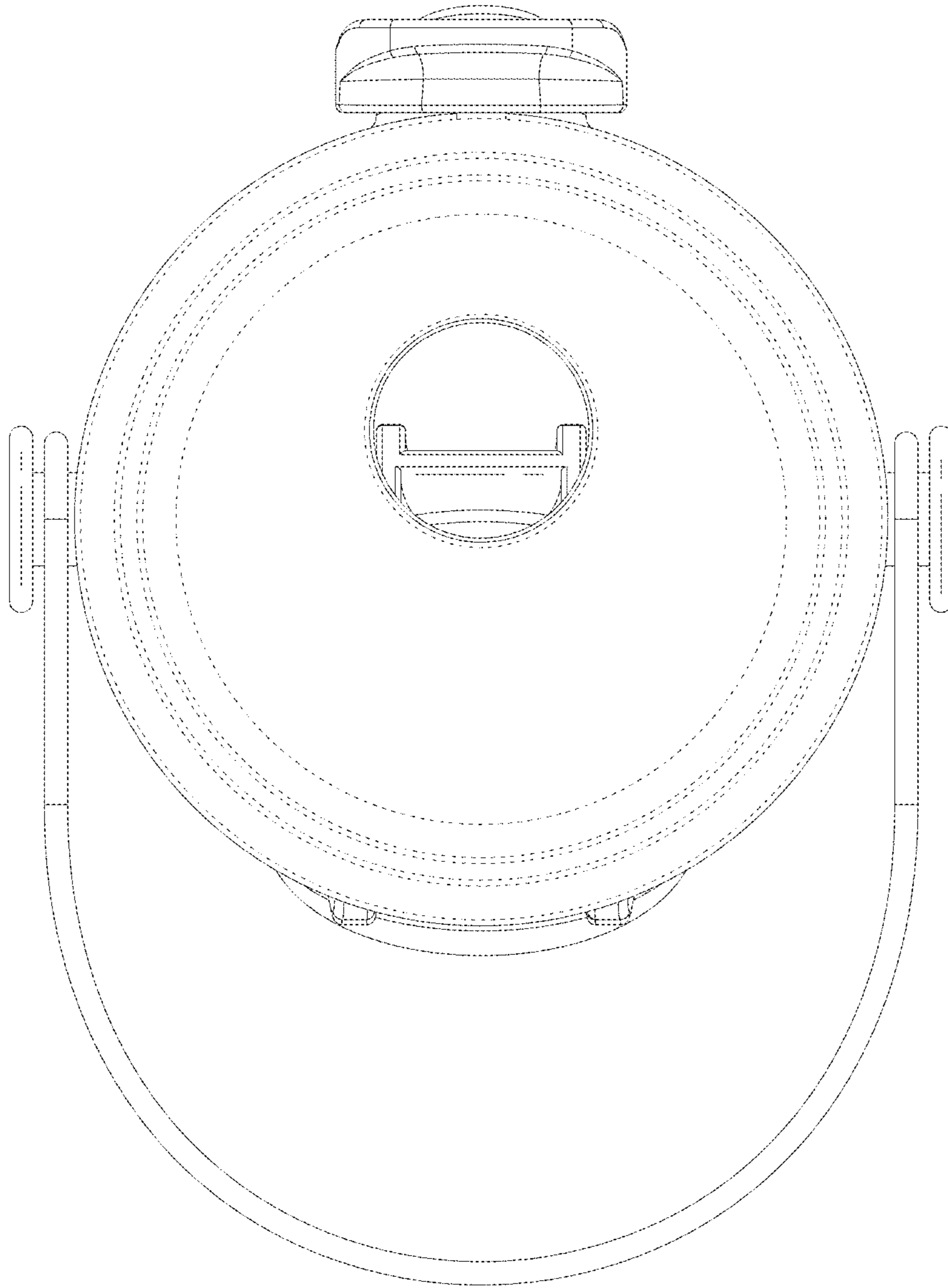


FIG. 6

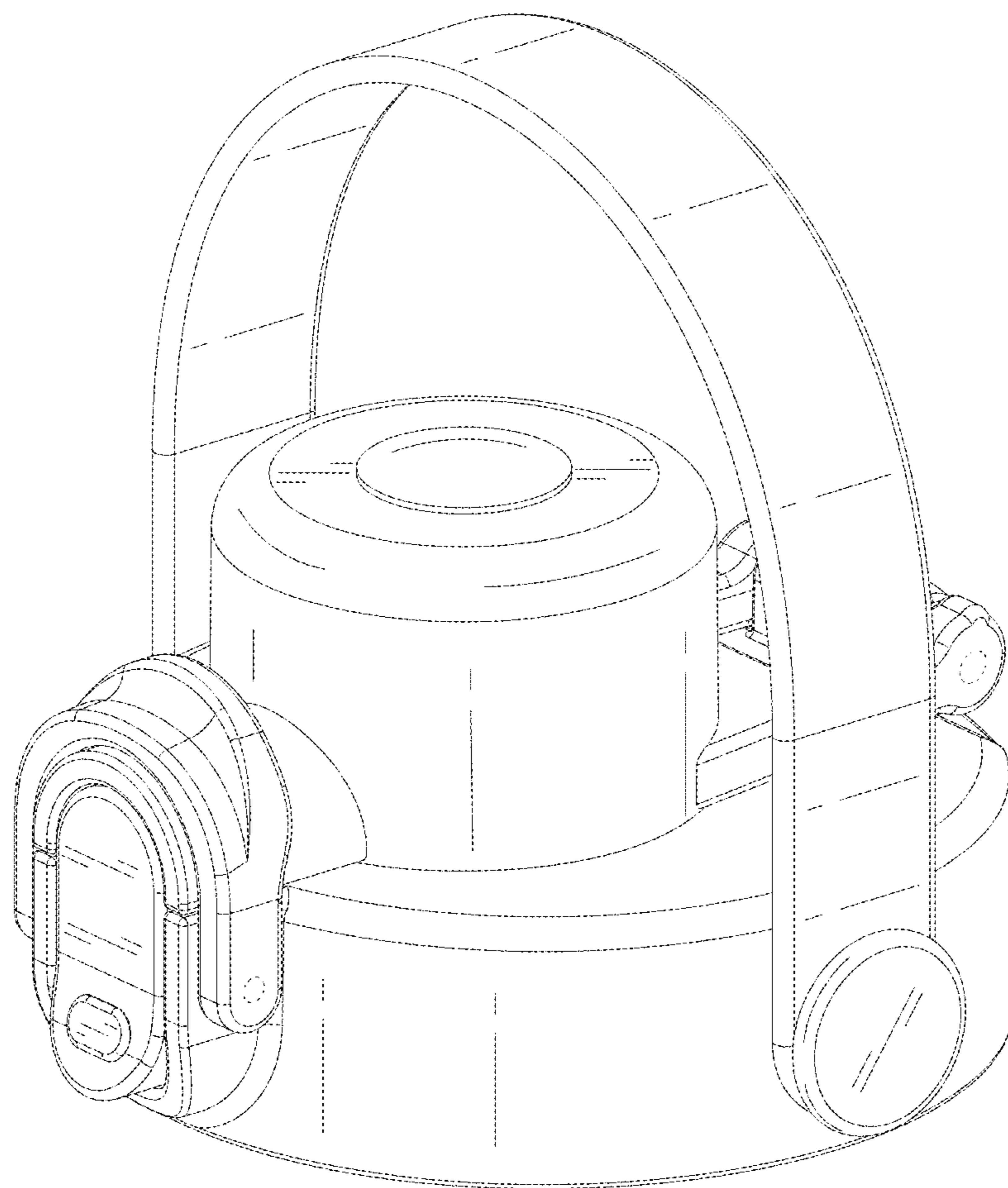


FIG. 7

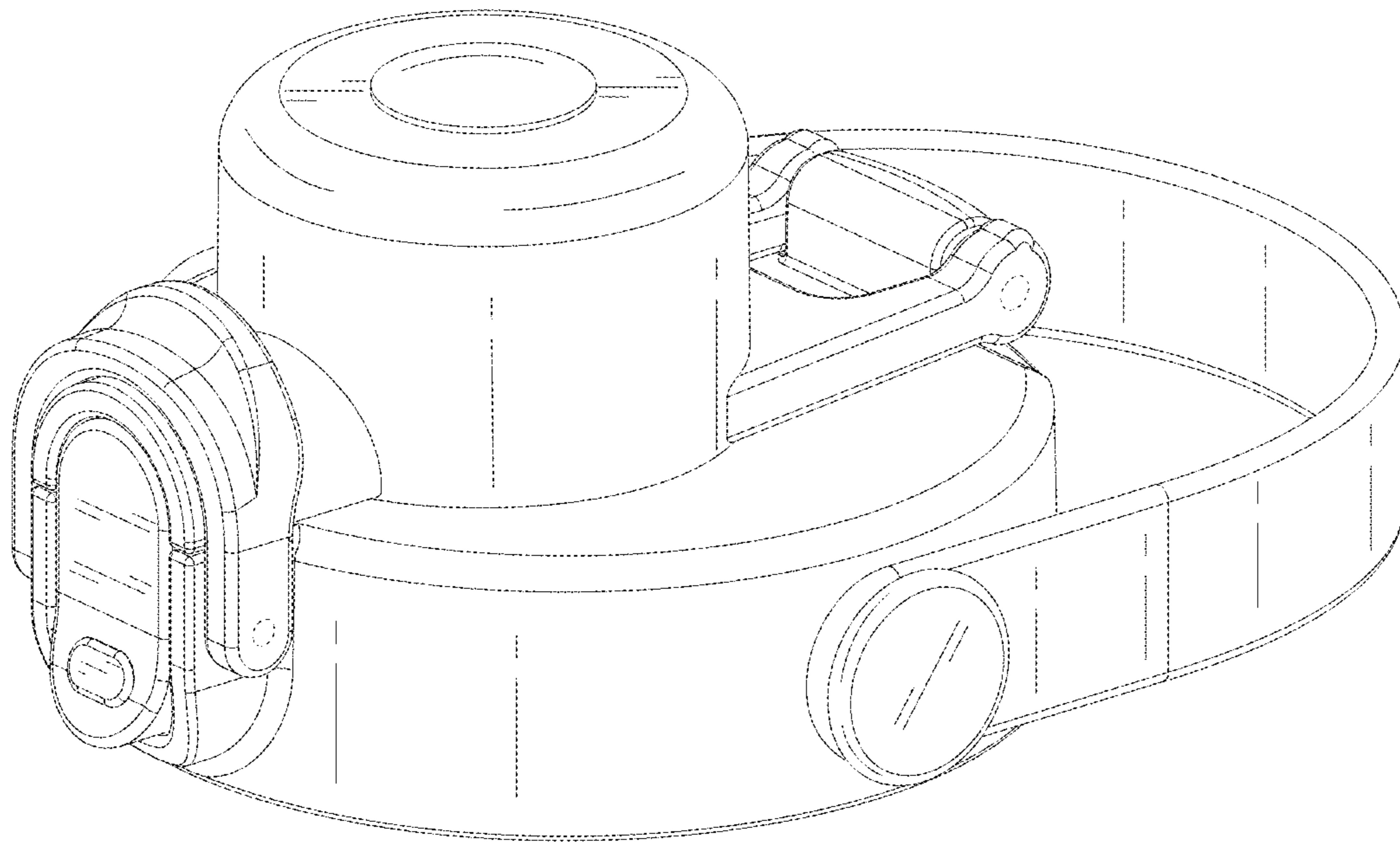


FIG. 8