



US00D943418S

(12) **United States Design Patent**
Moretti

(10) **Patent No.:** **US D943,418 S**

(45) **Date of Patent:** **** Feb. 15, 2022**

(54) **CAP**
(71) Applicant: **LUMSON S.p.A.**, Capergnanica (IT)
(72) Inventor: **Matteo Moretti**, Crema (IT)
(73) Assignee: **LUMSON S.p.A.**, Capergnanica (IT)

D688,138 S * 8/2013 Kim D9/690
D727,168 S * 4/2015 Raghupati D9/688
D766,097 S * 9/2016 Lee D9/690
D794,450 S * 8/2017 Moreaux D9/448
D814,311 S * 4/2018 Raghupati D9/688
D854,939 S * 7/2019 Probst D9/688
D924,487 S * 7/2021 Lim D9/442
2015/0071801 A1* 3/2015 De Regt F04B 45/02
417/472

(**) Term: **15 Years**

(21) Appl. No.: **29/748,080**

(22) Filed: **Aug. 27, 2020**

(51) **LOC (13) Cl.** **09-01**

(52) **U.S. Cl.**
USPC **D9/448**; D9/688

(58) **Field of Classification Search**
USPC D9/439, 440, 442–449, 682, 685, 686,
D9/435, 450, 454, 683, 684, 687–694,
D9/723; D6/515; D7/507, 509–511, 523,
D7/391, 392, 392.1, 396.2
CPC B65D 83/205; B65D 83/206; B65D 83/40;
B65D 2543/00046; A47G 19/2272
See application file for complete search history.

FOREIGN PATENT DOCUMENTS

JP D1540816 * 12/2015

OTHER PUBLICATIONS

The Packaging Company, Aug. 3, 2017, Facebook Post URL:
<https://www.facebook.com/ThePkgCo/photos/a.1140991392669706/1140991442669701/?type=3&theater> (Year: 2017).*

* cited by examiner

Primary Examiner — Brett Miller

Assistant Examiner — Rani J Abdallah

(74) *Attorney, Agent, or Firm* — Dickinson Wright PLLC;
Andrew D. Dorisio

(56) **References Cited**

U.S. PATENT DOCUMENTS

D455,960 S * 4/2002 Dobbs D9/448
D463,973 S * 10/2002 Gobe D9/689
D511,095 S * 11/2005 Auer D9/448
D515,421 S * 2/2006 Rossignol D9/448
D623,516 S * 9/2010 Sayers D9/448
D628,086 S * 11/2010 Tanner D9/688
D646,583 S * 10/2011 Mongeon D9/689
D655,618 S * 3/2012 Oates D9/690
D656,040 S * 3/2012 McCoy D9/723
D658,071 S * 4/2012 Lanz D9/688
D658,076 S * 4/2012 McCoy D9/723
D658,504 S * 5/2012 McCoy D9/697
D658,507 S * 5/2012 McCoy D9/723
D661,202 S * 6/2012 McCoy D9/723

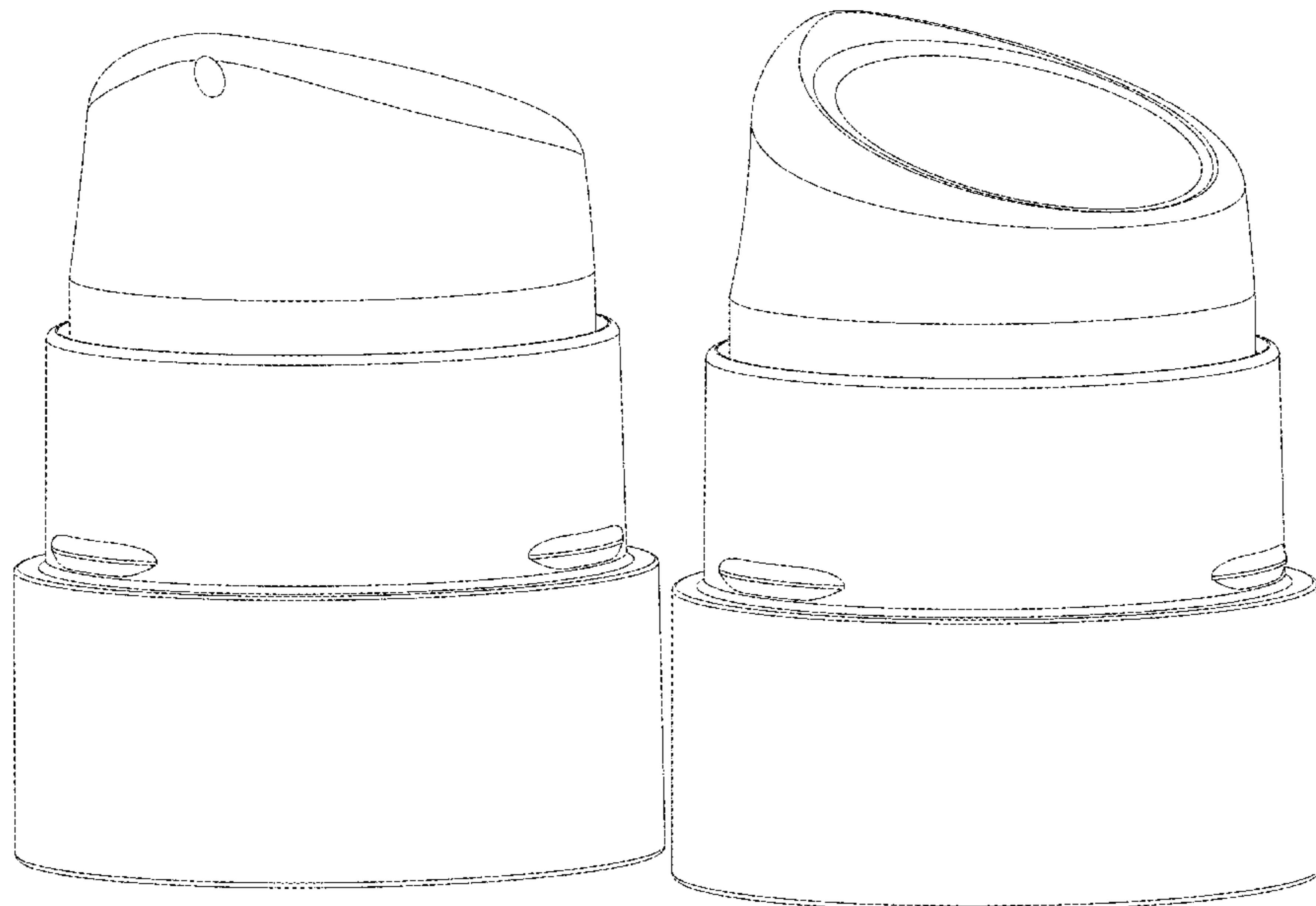
(57) **CLAIM**

The ornamental design for a cap, as shown and described.

DESCRIPTION

FIG. 1 is a left side view of a cap according to my new design;
FIG. 2 is a front view of the cap of FIG. 1;
FIG. 3 is a right side view of the cap of FIG. 1;
FIG. 4 is a rear view of the cap of FIG. 1;
FIG. 5 is a top view of the cap of FIG. 1;
FIG. 6 is a front perspective view of the cap of FIG. 1; and,
FIG. 7 is a rear perspective view of the cap of FIG. 1.

1 Claim, 7 Drawing Sheets



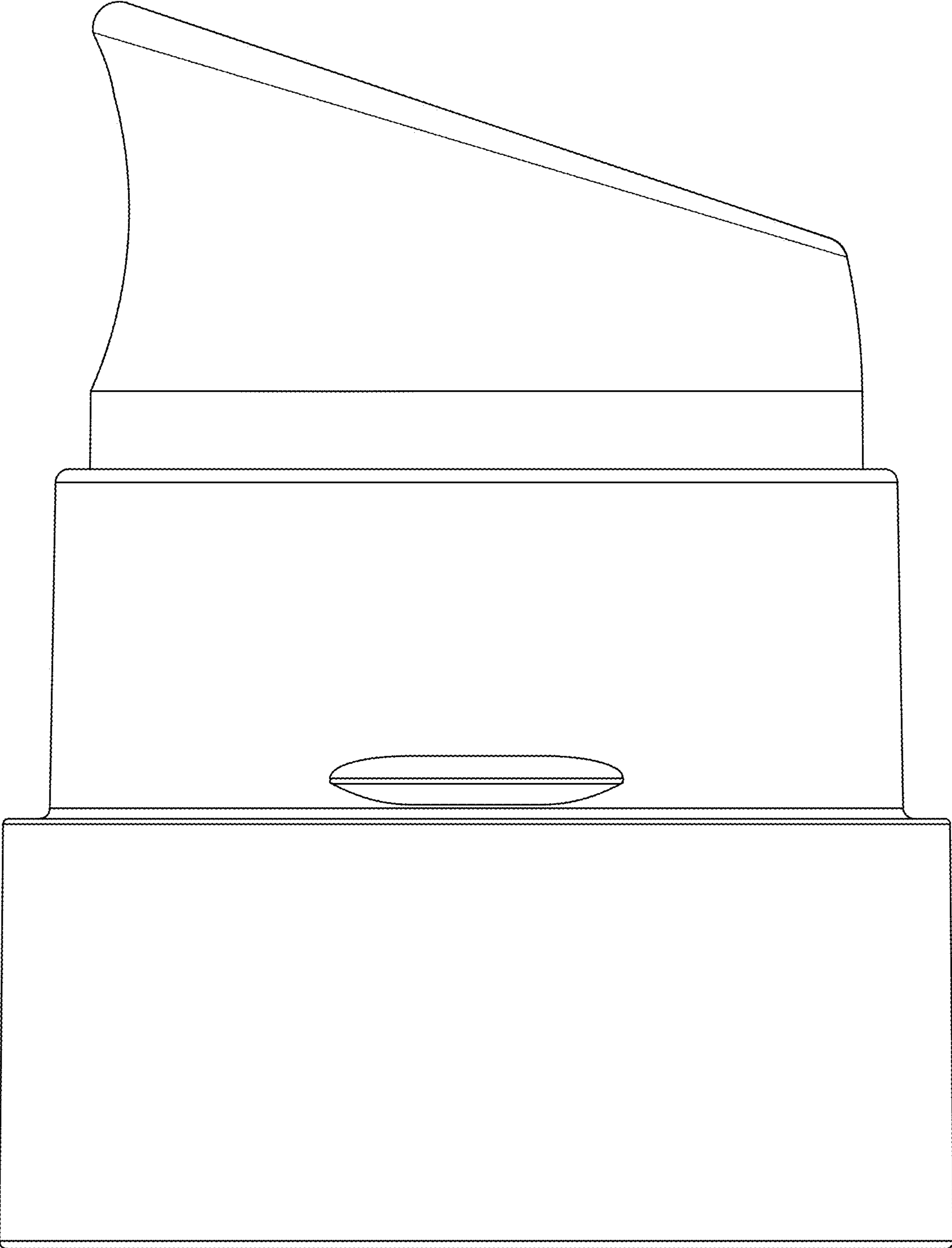


FIG. 1

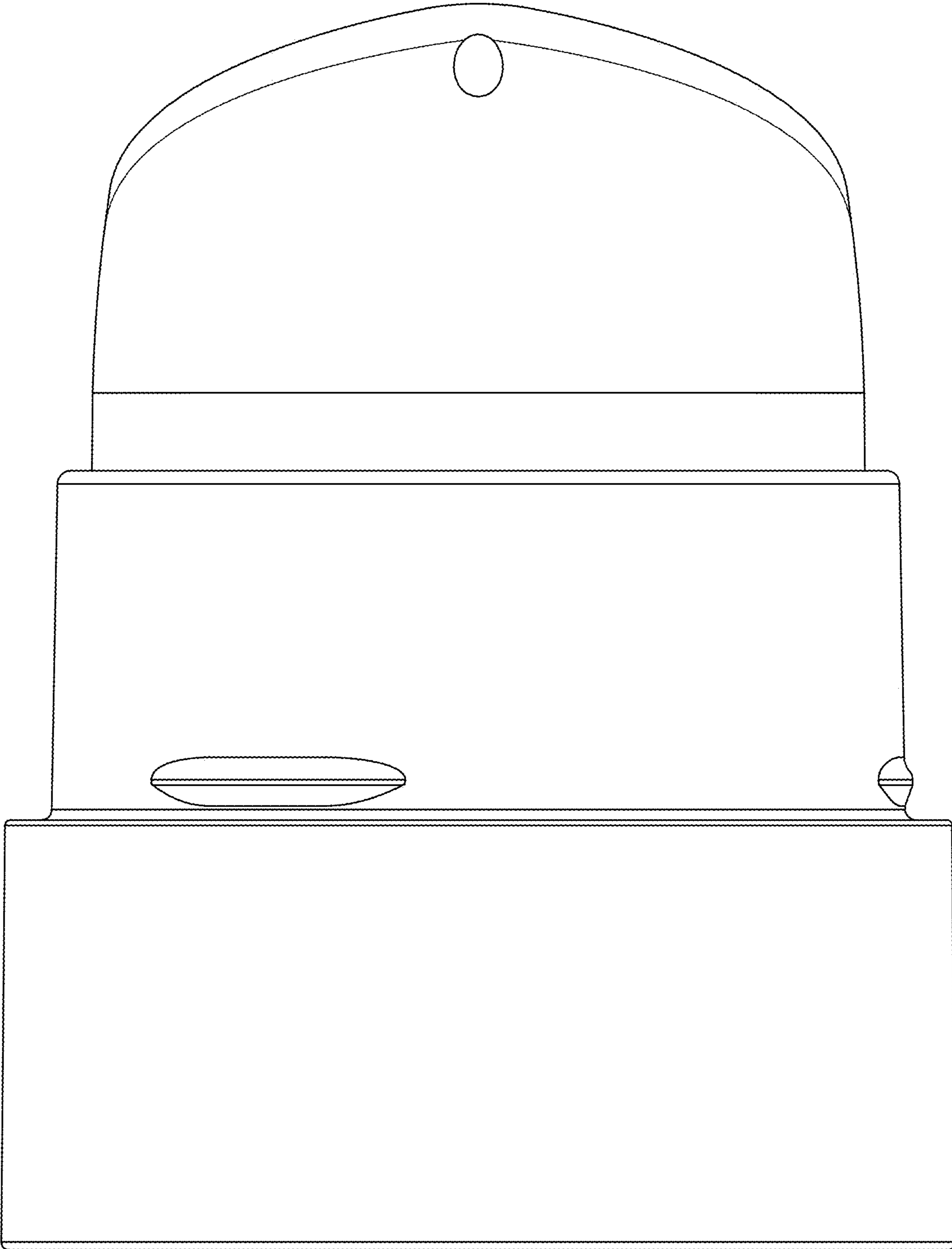


FIG. 2

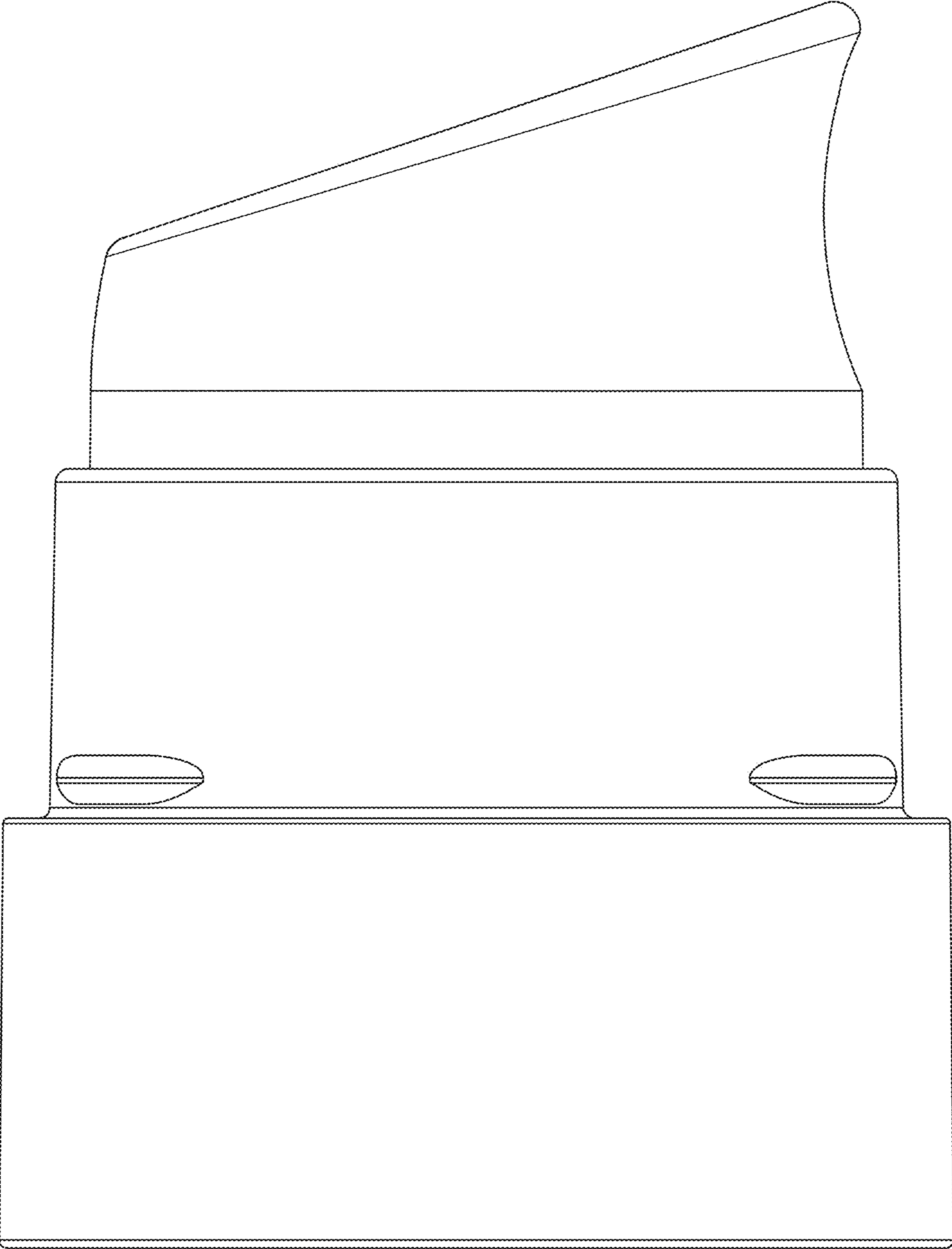


FIG. 3

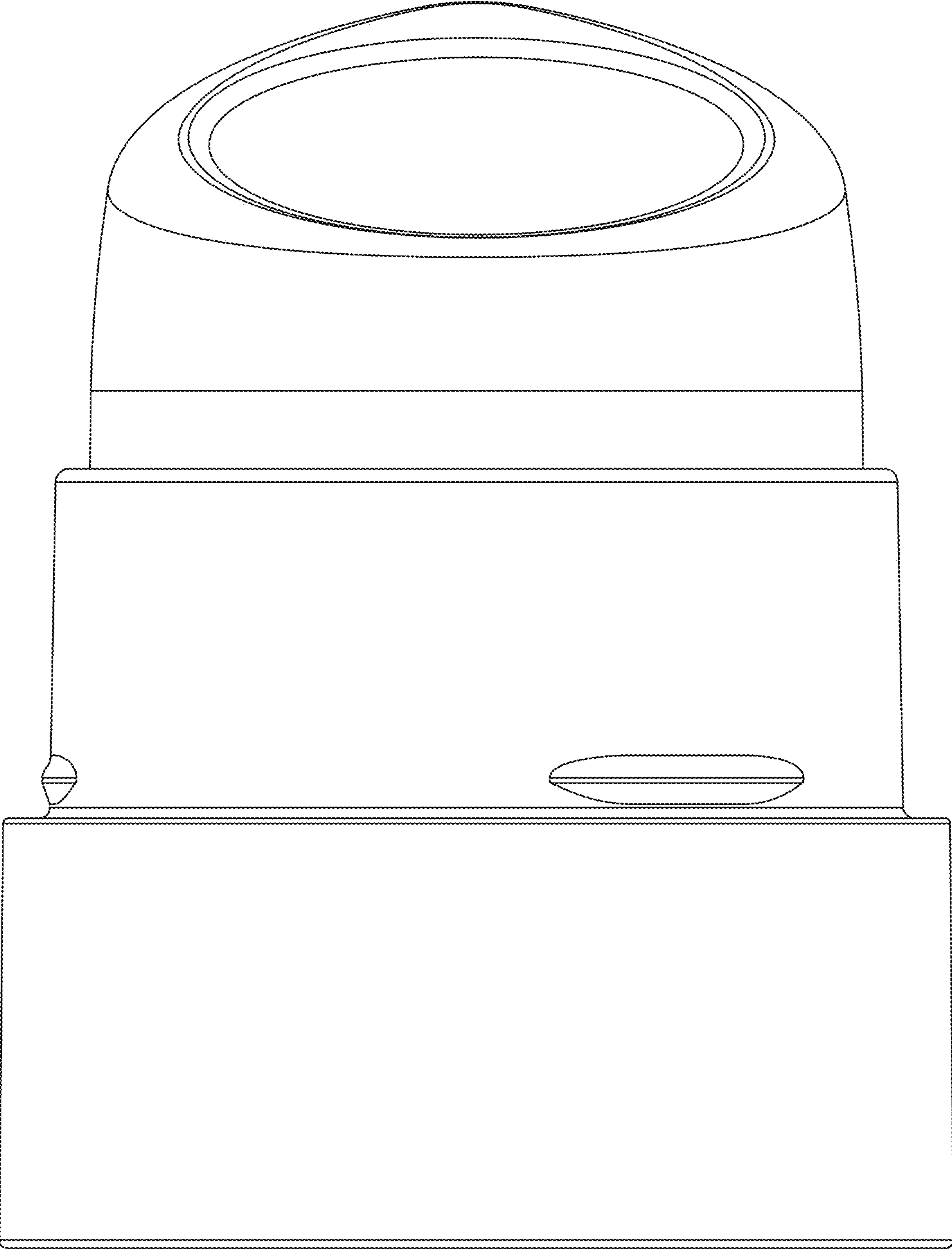


FIG. 4

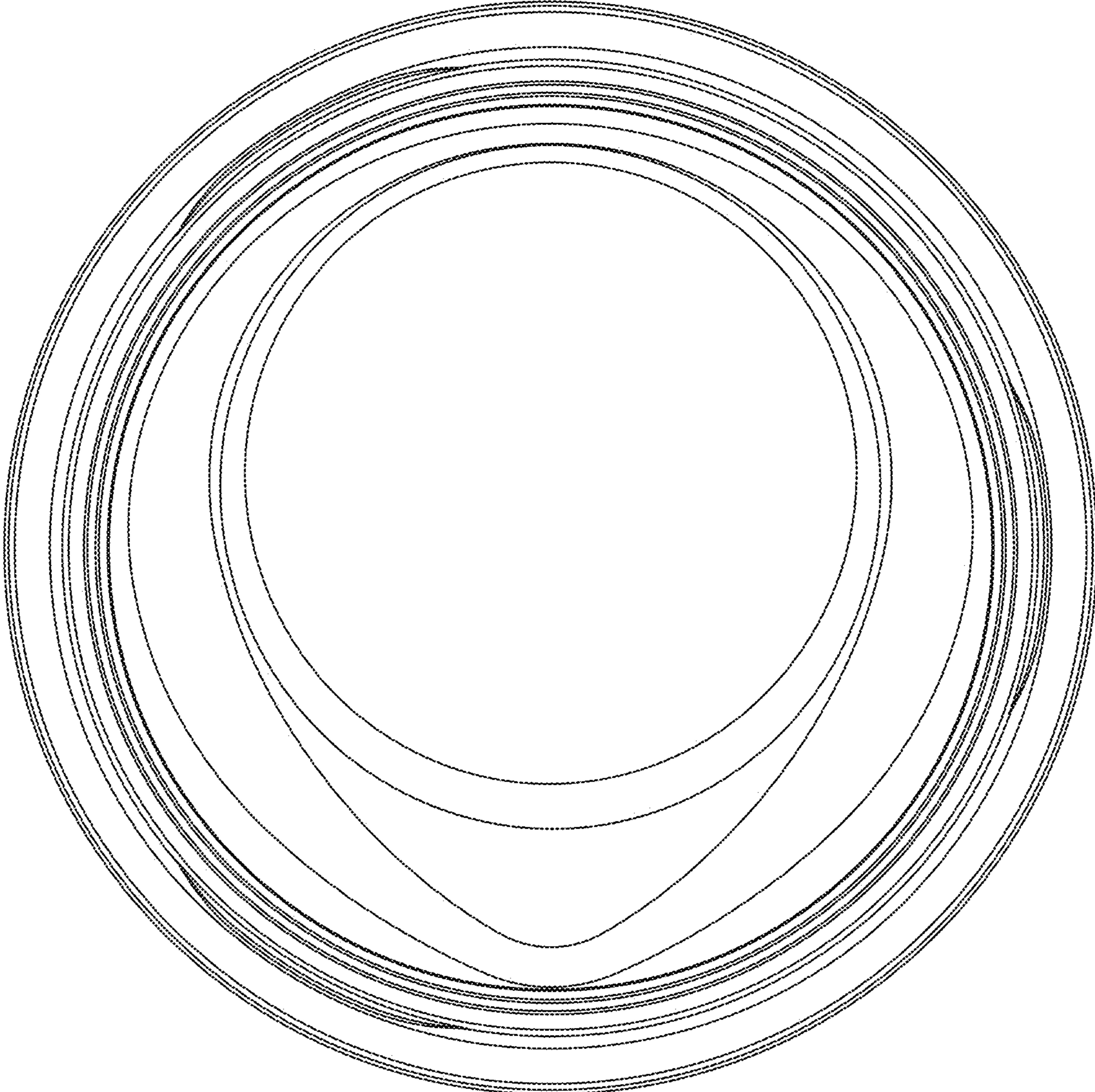


FIG. 5

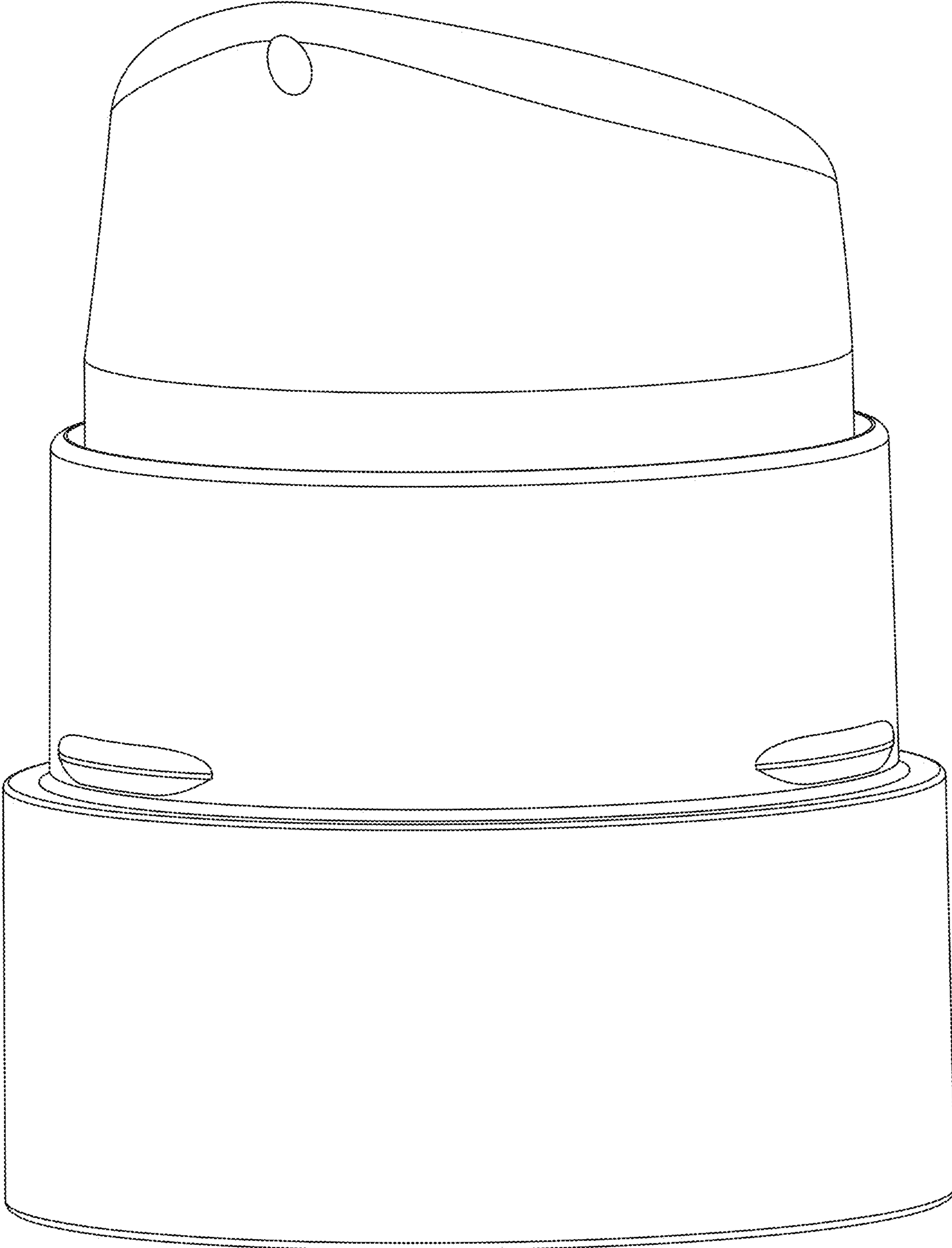


FIG. 6

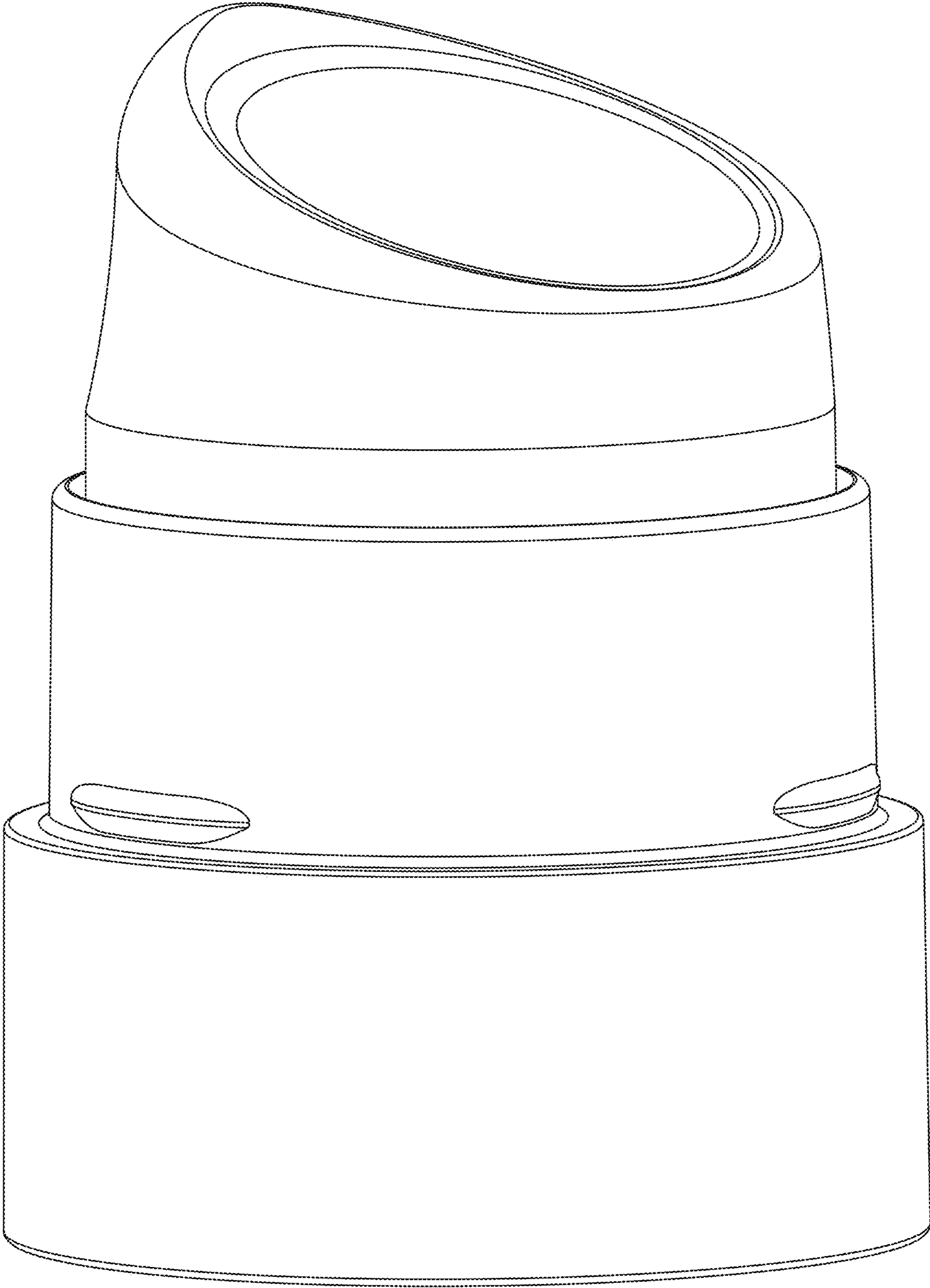


FIG. 7