



US00D943416S

(12) **United States Design Patent**
Kim

(10) **Patent No.:** **US D943,416 S**

(45) **Date of Patent:** **** Feb. 15, 2022**

(54) **PISTON FOR A BOTTLE**

(71) Applicant: **Tom Kim**, Los Angeles, CA (US)

(72) Inventor: **Tom Kim**, Los Angeles, CA (US)

(**) Term: **15 Years**

(21) Appl. No.: **29/708,539**

(22) Filed: **Oct. 7, 2019**

(51) **LOC (13) Cl.** **09-07**

(52) **U.S. Cl.**
USPC **D9/447**

(58) **Field of Classification Search**
USPC D3/207, 211; D7/213, 387, 393, 396.1,
D7/396.2, 397, 398, 511; D9/434, 435,
D9/438, 439, 440, 447; D21/717, 718;
D22/125, 130, 145, 146; D24/105, 106,
D24/141, 194, 196; D30/160
CPC A01K 71/00; A01K 73/10; A01K 75/04;
A01K 75/06; A01K 93/00; A01K 99/00;
B65B 39/00
See application file for complete search history.

(56) **References Cited**

U.S. PATENT DOCUMENTS

D120,464 S *	5/1940	Martin	D9/434
2,549,404 A *	4/1951	Williams	B65D 39/0064
				215/364
D216,386 S *	12/1969	Suggs	D9/434
D248,545 S *	7/1978	Summers	D9/439
D298,506 S *	11/1988	Lee	D7/393
D328,252 S *	7/1992	Miyake	D24/224
D331,348 S *	12/1992	Park	D7/300.2
D339,524 S *	9/1993	Morris, Sr.	D9/435
D355,119 S *	2/1995	Zimmermann	D9/440
D359,683 S *	6/1995	Beach	D9/434
D359,808 S *	6/1995	Raghava	D24/196
D429,111 S *	8/2000	Busick	D7/397
D447,410 S *	9/2001	Malmborg	D9/434

D453,472 S *	2/2002	Kwong	D9/447
D519,835 S *	5/2006	Dubs	D9/438
D521,863 S *	5/2006	Davis	D9/447
D527,632 S *	9/2006	Romer	D9/453
D580,756 S *	11/2008	Seebold	D9/439
D595,570 S *	7/2009	Moretti	D9/434
D617,427 S *	6/2010	McNamara	D23/261
D630,469 S *	1/2011	Cagani	D7/393
D636,668 S *	4/2011	Maddy	D9/434
D708,945 S *	7/2014	Jetmar	D9/439
D717,648 S *	11/2014	Firestone	D9/439
D720,217 S *	12/2014	Oates	D9/435
D750,734 S *	3/2016	Brackett, Sr.	D22/146
D753,489 S *	4/2016	Shaw	D9/454
D754,537 S *	4/2016	Prozumenshchikov	D9/439
D763,078 S *	8/2016	Roy	D9/447
D835,506 S *	12/2018	Evans	D9/439
D844,236 S *	3/2019	Tidnam	D27/169
D845,126 S *	4/2019	Prozumenshchikov	D9/439
D847,632 S *	5/2019	Villbrandt	D9/447

(Continued)

Primary Examiner — Catherine S Posthauer

(74) *Attorney, Agent, or Firm* — Payam Moradian

(57) **CLAIM**

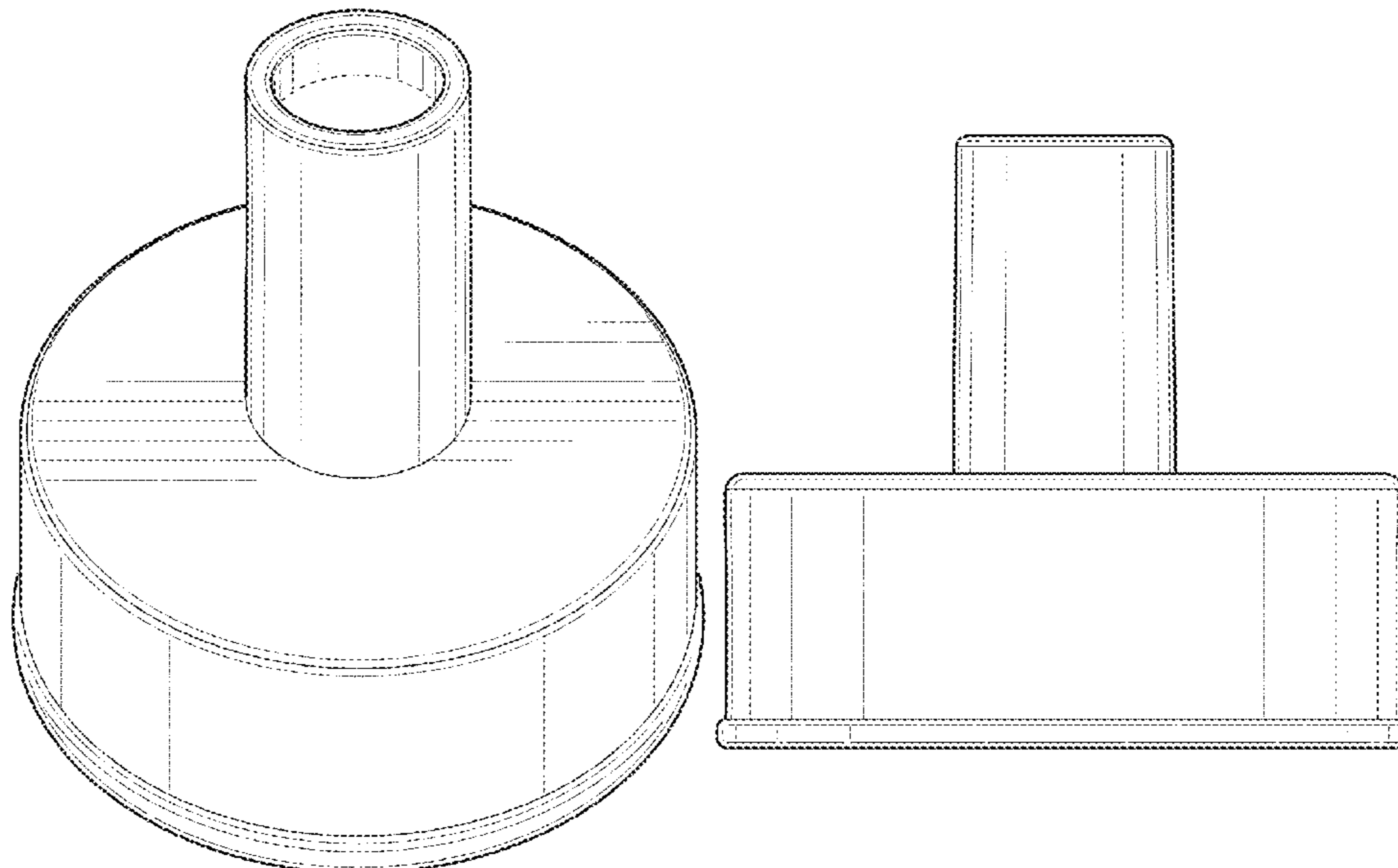
I claim the ornamental design for a piston for a bottle, as shown and described.

DESCRIPTION

FIG. 1 is a top perspective view of the piston for a bottle, showing my new design;
FIG. 2 is a left side view thereof;
FIG. 3 is a right side view thereof;
FIG. 4 is a front side view thereof;
FIG. 5 is a rear side view thereof;
FIG. 6 is a top side thereof; and,
FIG. 7 is a bottom side view thereof.

The broken lines are shown for the purpose of illustrating parts of the article as well as the boundaries of the claim. None of the broken lines form part of the claimed design.

1 Claim, 4 Drawing Sheets



(56)

References Cited

U.S. PATENT DOCUMENTS

D867,880	S	*	11/2019	Sacchetti	D9/440
D875,523	S	*	2/2020	Dix	D9/439
D875,524	S	*	2/2020	Holmes	D9/439
D876,229	S	*	2/2020	Sacchetti	D9/440
D898,568	S	*	10/2020	Apasov	D9/435
D906,805	S	*	1/2021	Guduru	D9/439
2007/0045217	A1	*	3/2007	Cho	B65D 51/285 215/236

* cited by examiner

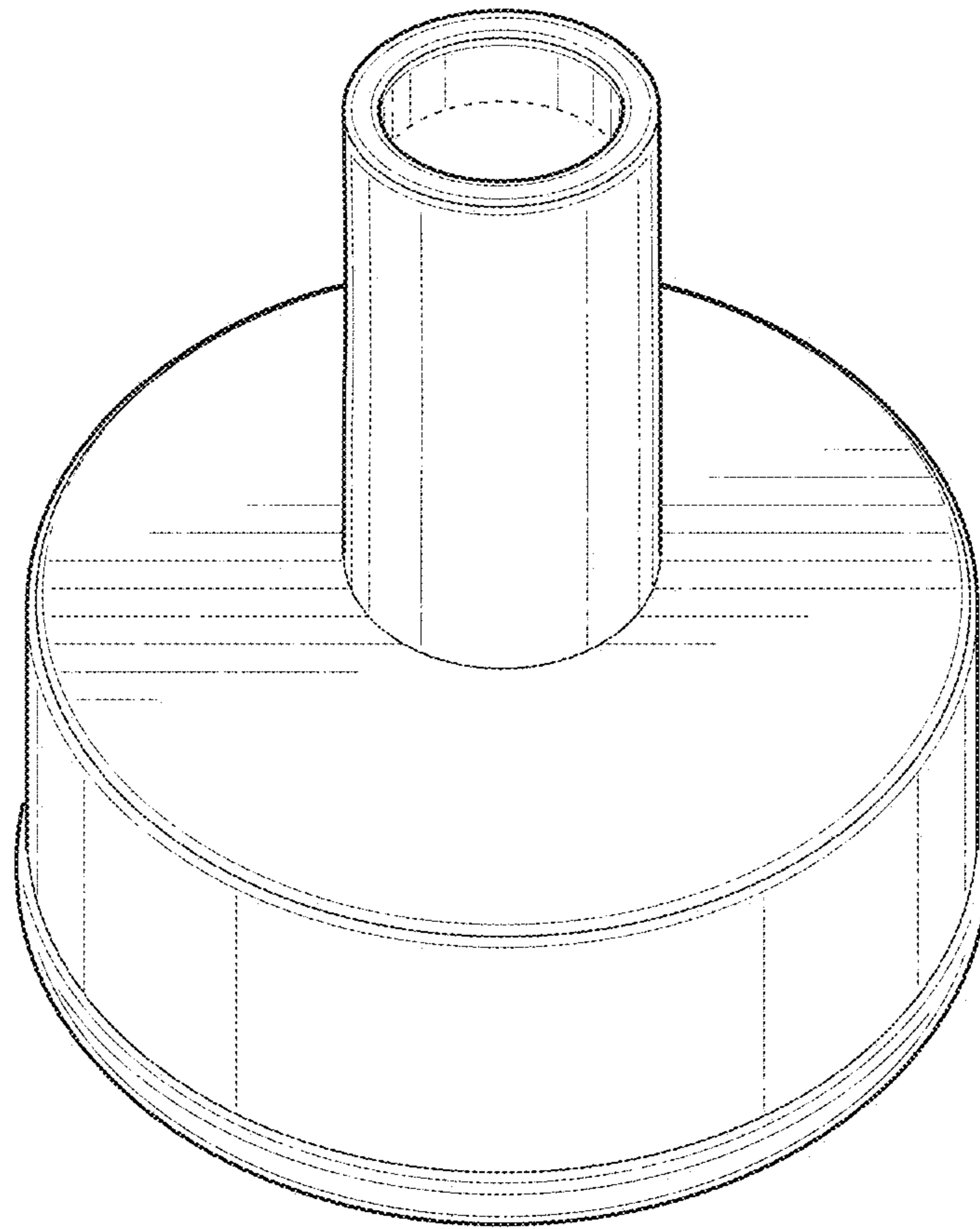


FIG. 1

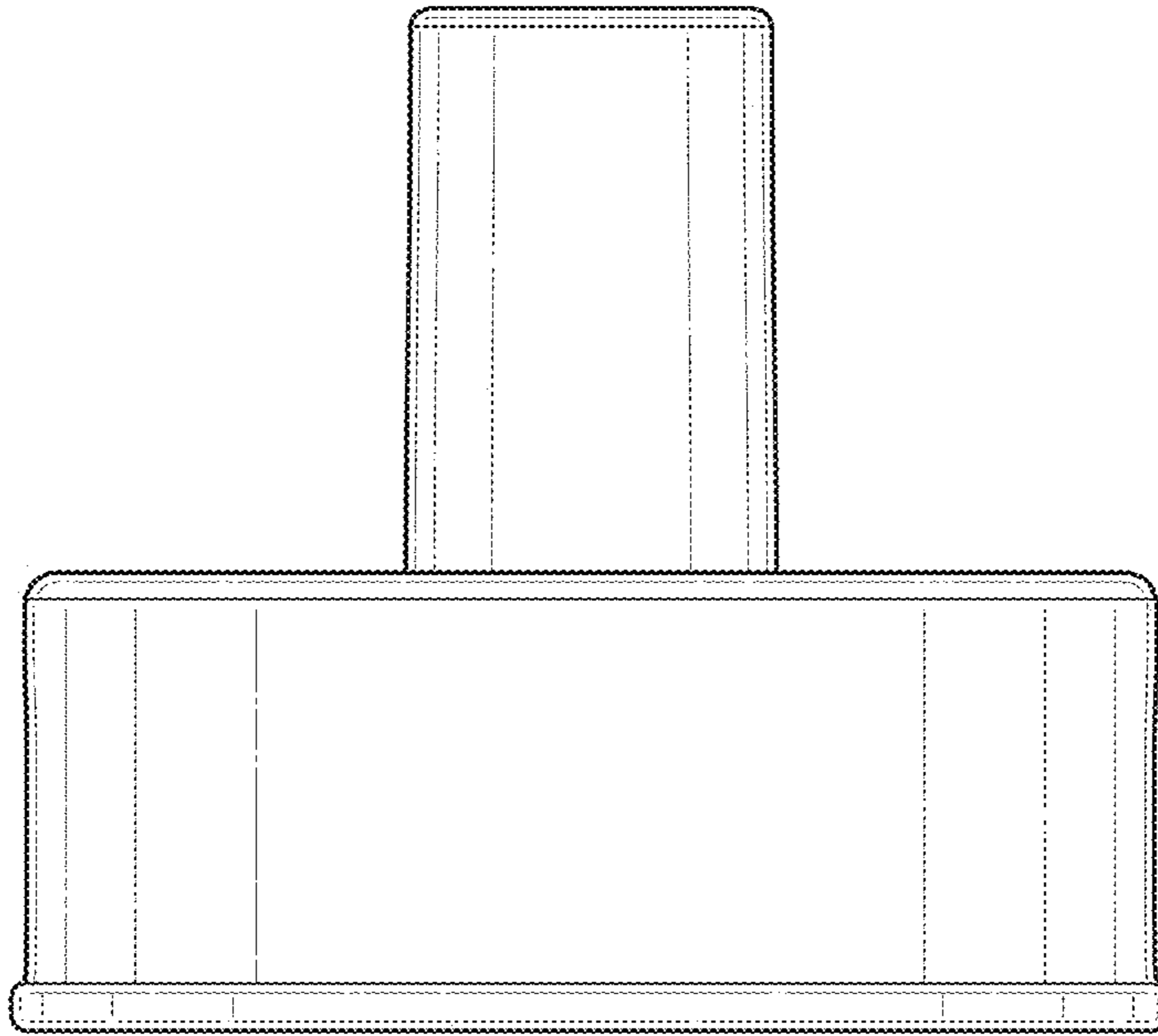


FIG. 2

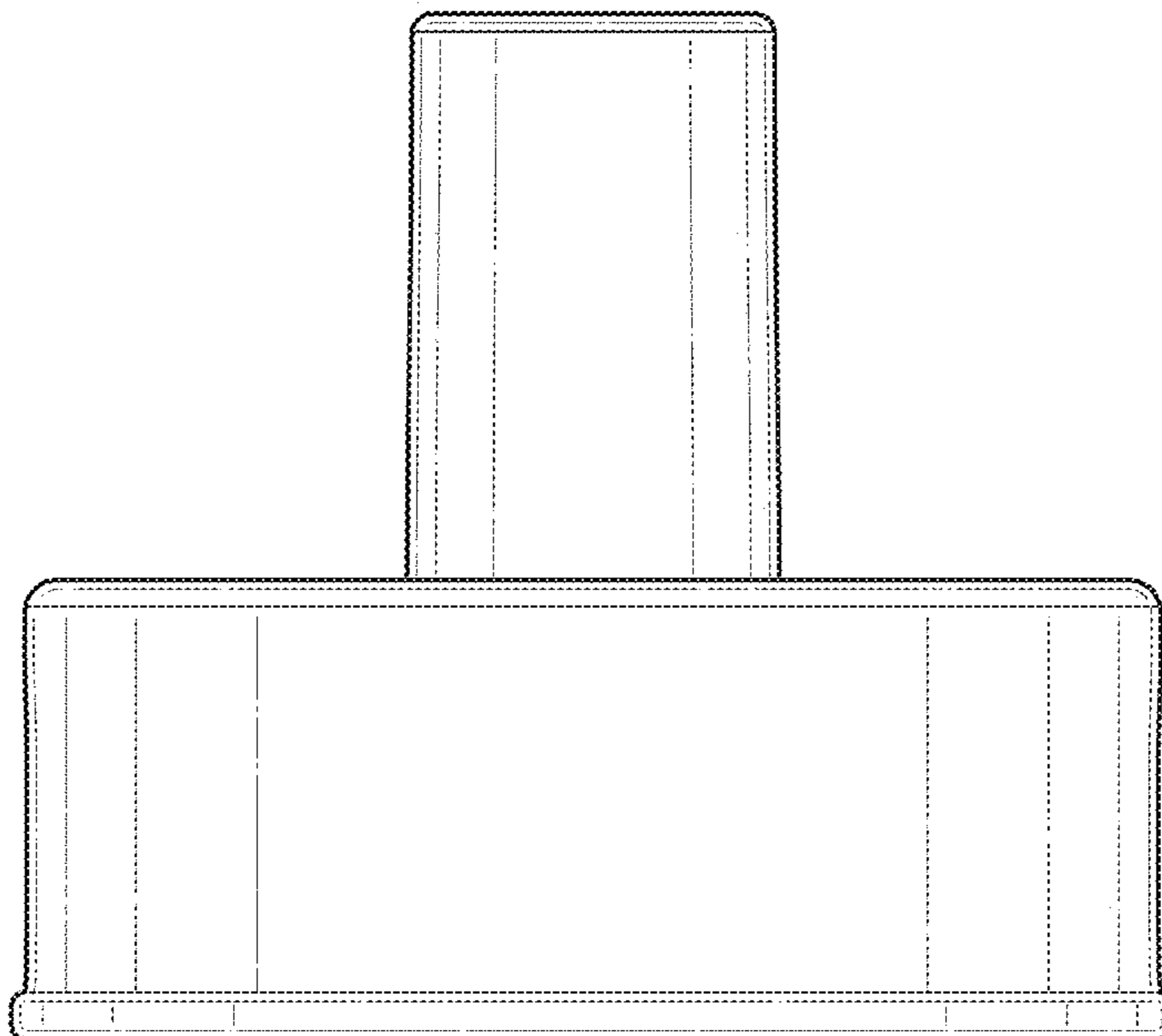


FIG. 3

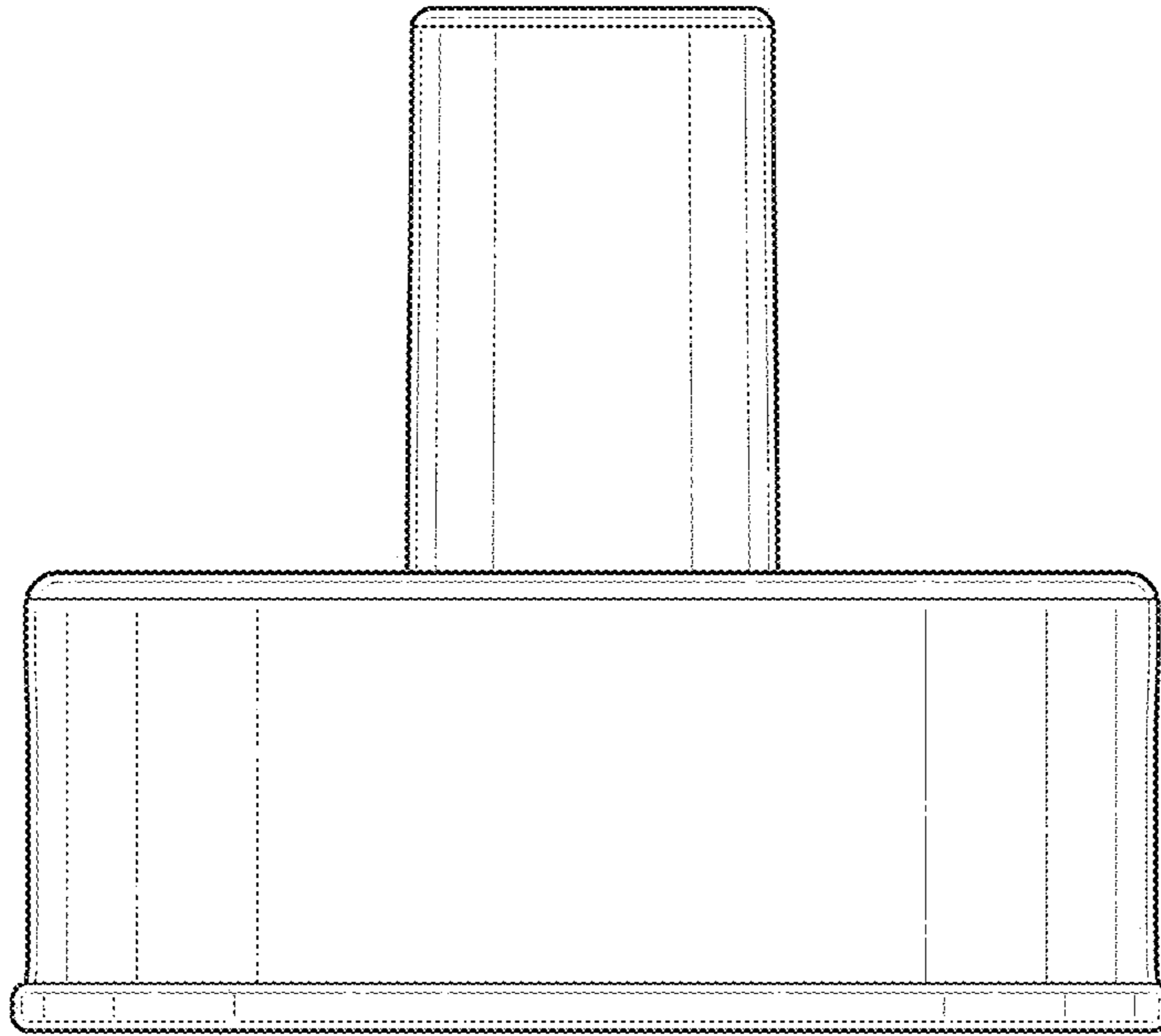


FIG. 4

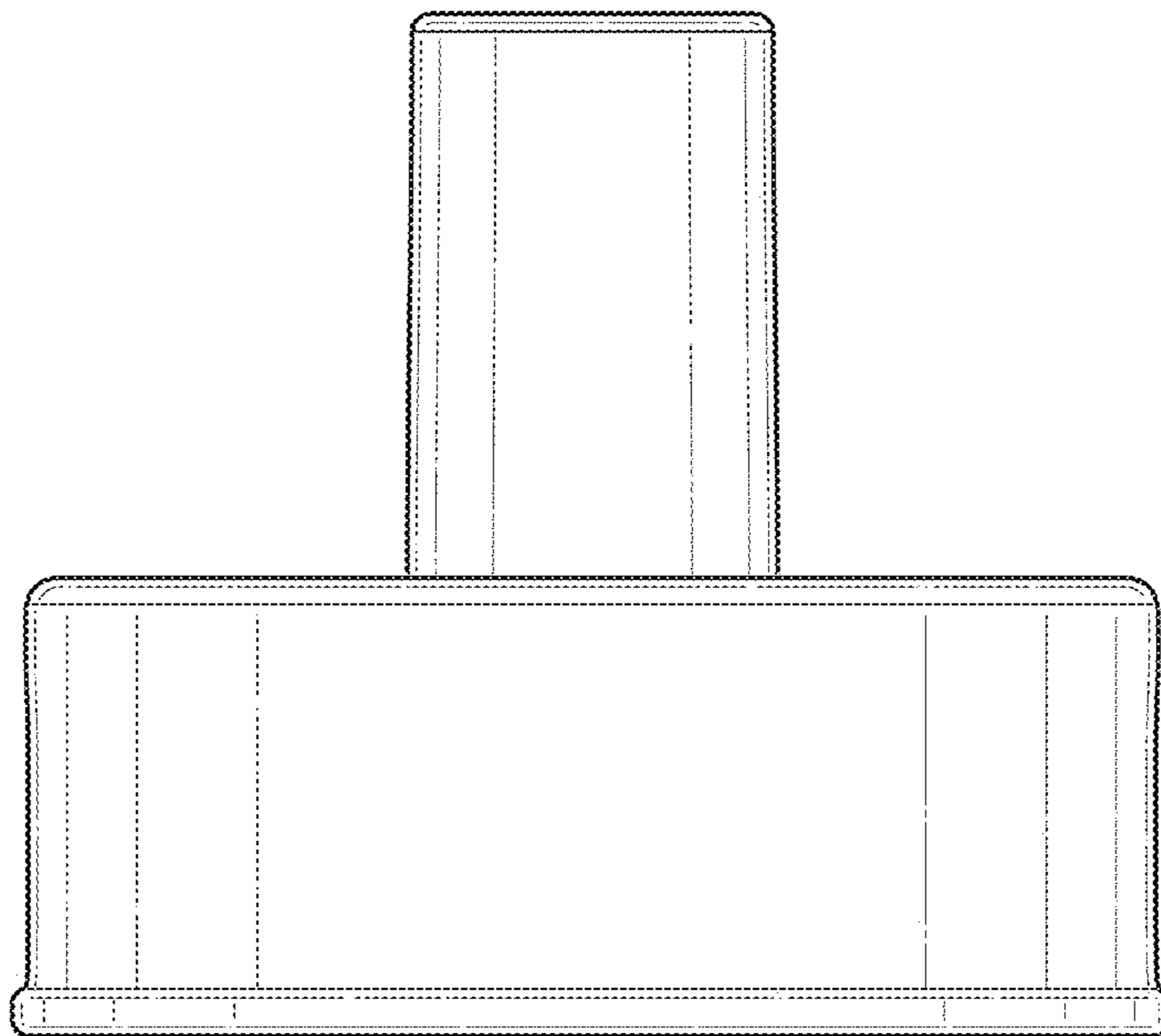


FIG. 5

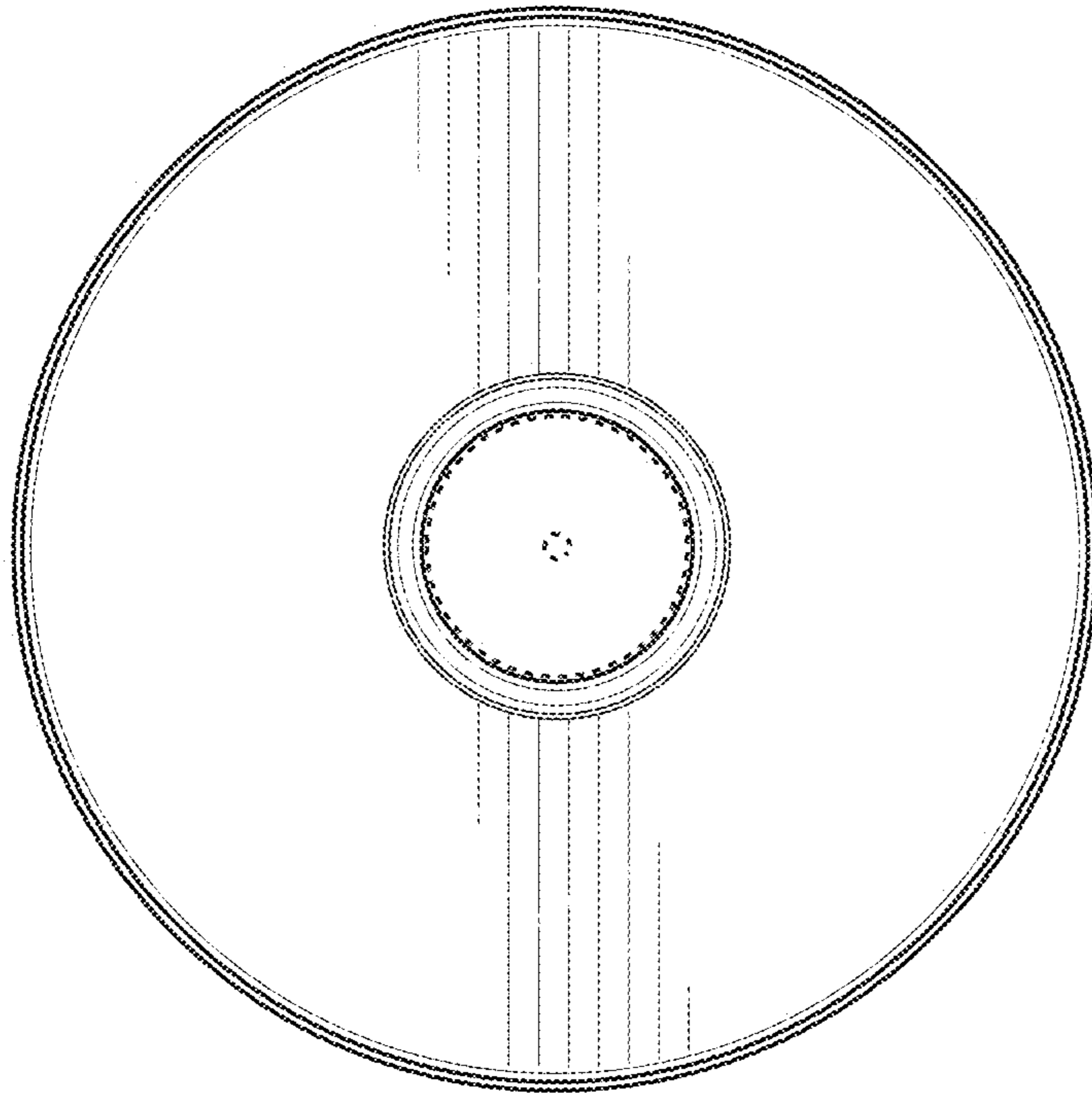


FIG. 6

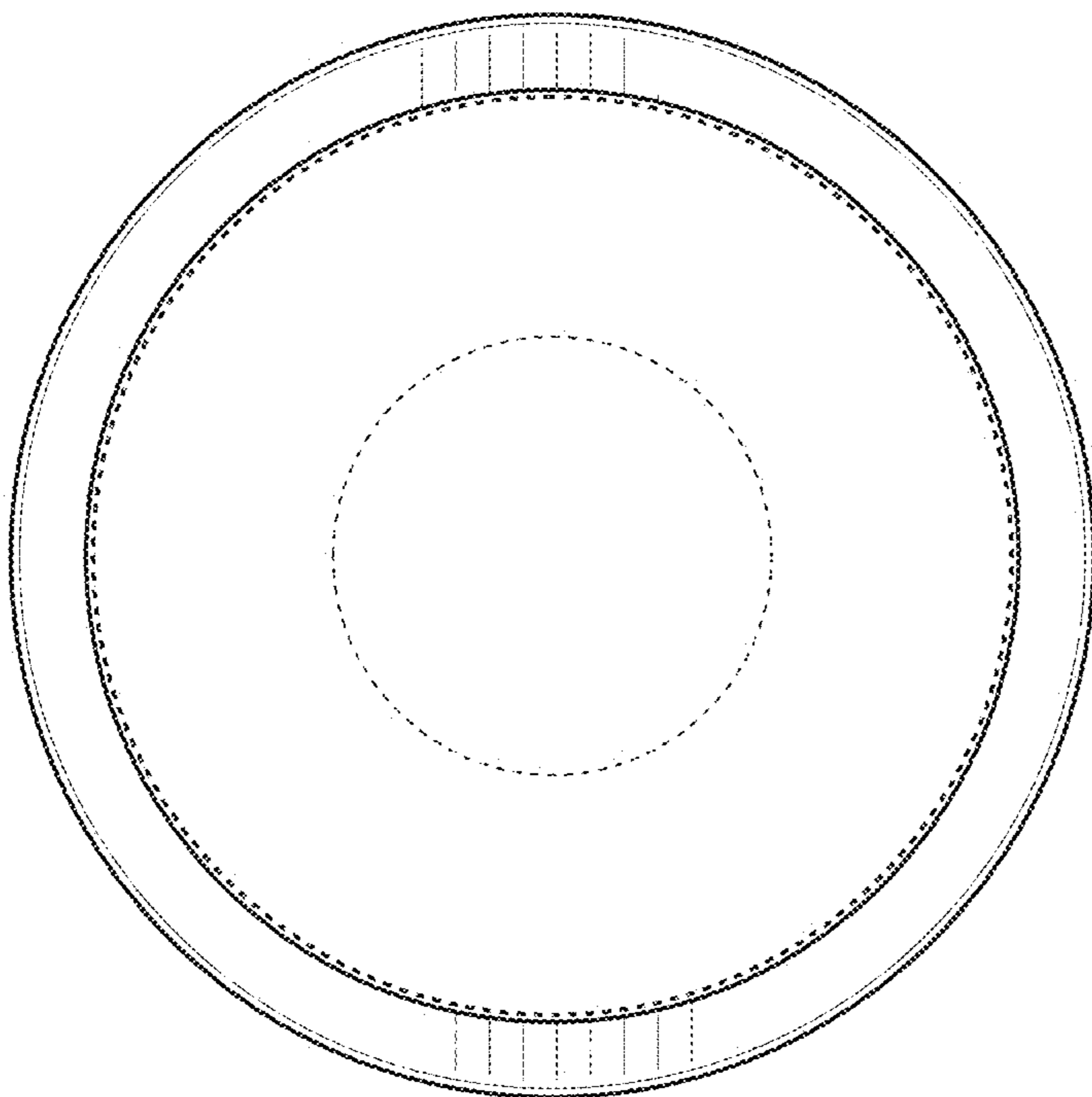


FIG. 7