



US00D943414S

(12) **United States Design Patent**  
**Niles et al.**

(10) **Patent No.:** **US D943,414 S**  
(45) **Date of Patent:** **\*\* Feb. 15, 2022**

(54) **BOTTLE STOPPER**

(71) Applicants: **Ruth Niles**, Newville, PA (US); **Paul Holmes**, Moscow Mills, MO (US)

(72) Inventors: **Ruth Niles**, Newville, PA (US); **Paul Holmes**, Moscow Mills, MO (US)

(\*\*) Term: **15 Years**

(21) Appl. No.: **29/763,425**

(22) Filed: **Dec. 22, 2020**

(51) **LOC (13) Cl.** ..... **09-07**

(52) **U.S. Cl.**

USPC ..... **D9/439**

(58) **Field of Classification Search**

USPC ..... D3/12, 16, 17; D7/393, 394, 396, 397, D7/398, 387, 391, 392.1, 396.1, 396.2, D7/401.1, 402, 507, 511, 538, 388; D9/434, 435, 436, 438, 439, 440, 445, D9/446, 447, 454; D23/209, 233, 238, D23/259, 260, 261; D26/22, 23; D34/7, D34/10, 11

CPC ... B01L 3/50825; B01L 9/00; B65D 81/2038; B65D 81/20; A61J 1/1418; A61J 1/14; A61J 1/1406; A61J 1/1412; A61M 1/0001; A61M 1/0003; A61M 1/0011; B65B 31/00; B65B 55/10; B67C 11/02

See application file for complete search history.

(56) **References Cited**

**U.S. PATENT DOCUMENTS**

D56,108 S *	8/1920	Rustant	.....	D9/439
D122,942 S *	10/1940	Grunberg	.....	D9/439
D128,167 S *	7/1941	Lorenzen	.....	D9/439
D216,386 S *	12/1969	Suggs	.....	D9/434

(Continued)

**OTHER PUBLICATIONS**

Niles Bottle Stoppers: Announced Jun. 22, 2019 [online]. Site Visited [Nov. 2, 2021]. Availavle from Internet URL: <https://nilesbottlestoppers.com/product/cosmopolitan-wine/>.\*

*Primary Examiner* — Catherine S Posthauer

(74) *Attorney, Agent, or Firm* — Steve O'Donnell

(57) **CLAIM**

We claim the ornamental design for a bottle stopper, as shown and described.

**DESCRIPTION**

FIG. 1 is a top plan view of a bottle stopper showing our design;

FIG. 2 is a first side elevational view thereof, the second side, third side, and fourth side all being identical;

FIG. 3 is a bottom plan view thereof;

FIG. 4 is a perspective view thereof;

FIG. 5 is another perspective view thereof;

FIG. 6 is an exploded perspective view thereof shown with the O-rings removed and relocated below the stopper for the purpose of clarity;

FIG. 7 is a top plan view of a second embodiment of a bottle stopper showing our design;

FIG. 8 is a first side elevational view thereof, the second side, third side, and fourth side all being identical;

FIG. 9 is a bottom plan view thereof;

FIG. 10 is a perspective view thereof;

FIG. 11 is another perspective view thereof;

FIG. 12 is an exploded perspective view thereof shown with the O-rings removed and relocated below the stopper for the purpose of clarity;

FIG. 13 is a top plan view of a third embodiment of the bottle stopper showing our design;

FIG. 14 is a first side elevational view thereof, the second side, third side, and fourth side all being identical;

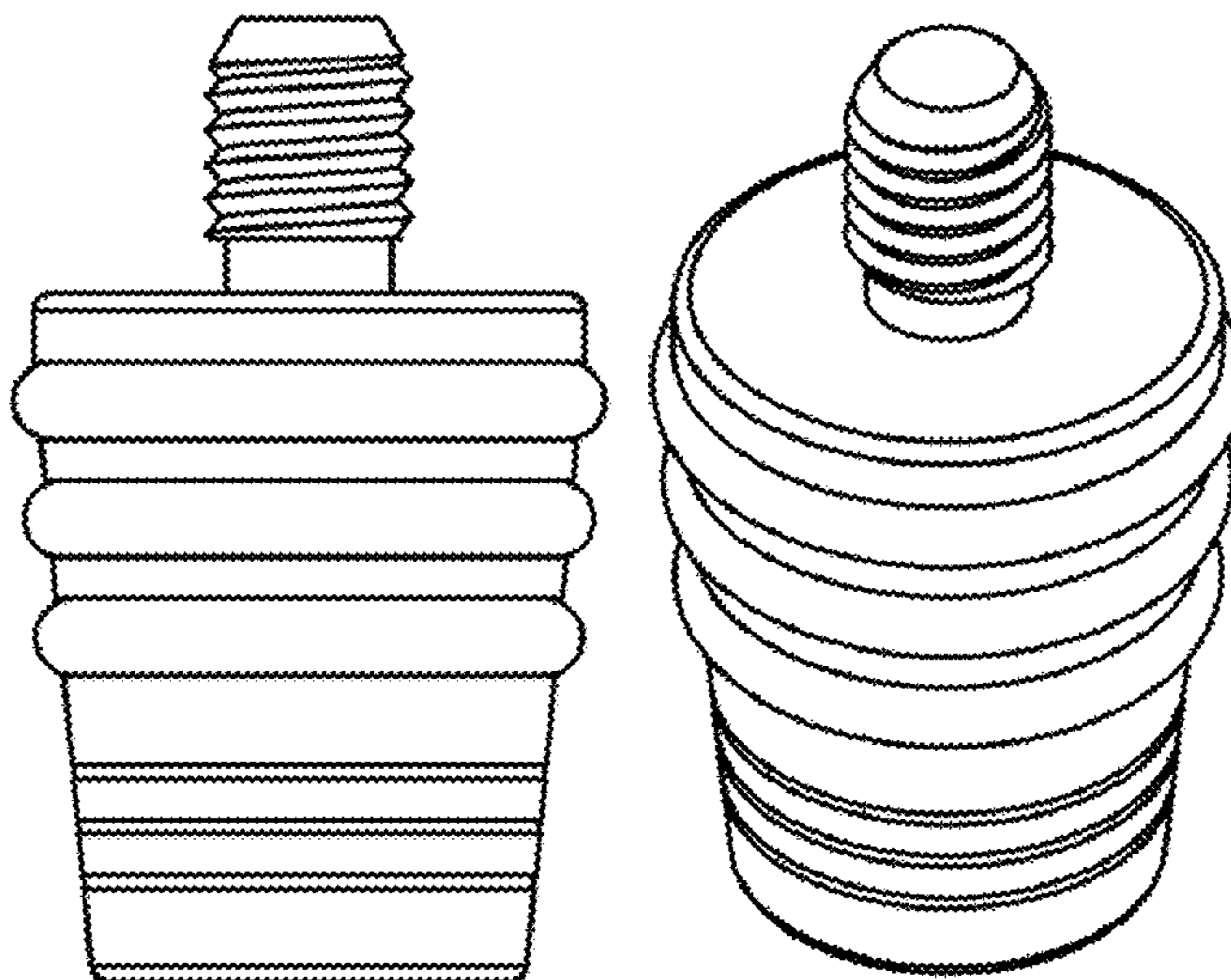
FIG. 15 is a bottom plan view thereof;

FIG. 16 is a perspective view thereof;

FIG. 17 is another perspective view thereof; and,

FIG. 18 is an exploded perspective view thereof shown with the O-rings removed and relocated below the stopper for the purpose of clarity.

**1 Claim, 6 Drawing Sheets**



(56)

**References Cited**

## U.S. PATENT DOCUMENTS

D331,348	S	*	12/1992	Park	.....	D7/300.2
D451,337	S	*	12/2001	Sum	.....	D7/387
D459,227	S	*	6/2002	Liebmann, Jr.	.....	D9/439
D575,639	S	*	8/2008	Seeuwen	.....	D9/439
D580,756	S	*	11/2008	Seebold	.....	D9/439
D633,753	S	*	3/2011	White	.....	D7/398
D639,657	S	*	6/2011	Hoyt	.....	D9/439
D644,064	S	*	8/2011	DuBois	.....	D7/507
D658,987	S	*	5/2012	Pauser	.....	D9/454
8,783,486	B1	*	7/2014	Hoyt	.....	B65D 81/2038 215/364
D758,853	S	*	6/2016	Seeuwen	.....	D9/439
D776,976	S	*	1/2017	Shin	.....	D7/398
D780,574	S	*	3/2017	Seeuwen	.....	D9/439
D807,114	S	*	1/2018	Niles	.....	D7/392.1
D815,524	S	*	4/2018	Seeuwen	.....	D9/439
D826,046	S	*	8/2018	Niles	.....	D9/439
D844,117	S	*	3/2019	Kennison	.....	D23/260
D859,948	S	*	9/2019	Niles	.....	D8/33
D867,132	S	*	11/2019	Callaars	.....	D9/439
D875,524	S	*	2/2020	Holmes	.....	D9/439
D887,206	S	*	6/2020	Giardullo	.....	D7/398
D904,113	S	*	12/2020	Batie	.....	D7/396.2
D907,977	S	*	1/2021	Niles	.....	D8/40
D926,571	S	*	8/2021	Ma	.....	D9/439
2002/0140824	A1	*	10/2002	Christoff	.....	H04N 5/217 348/216.1
2010/0043917	A1	*	2/2010	Kitchener	.....	F25D 23/12 141/65
2011/0220606	A1	*	9/2011	Alipour	.....	B65D 39/0064 215/230

\* cited by examiner

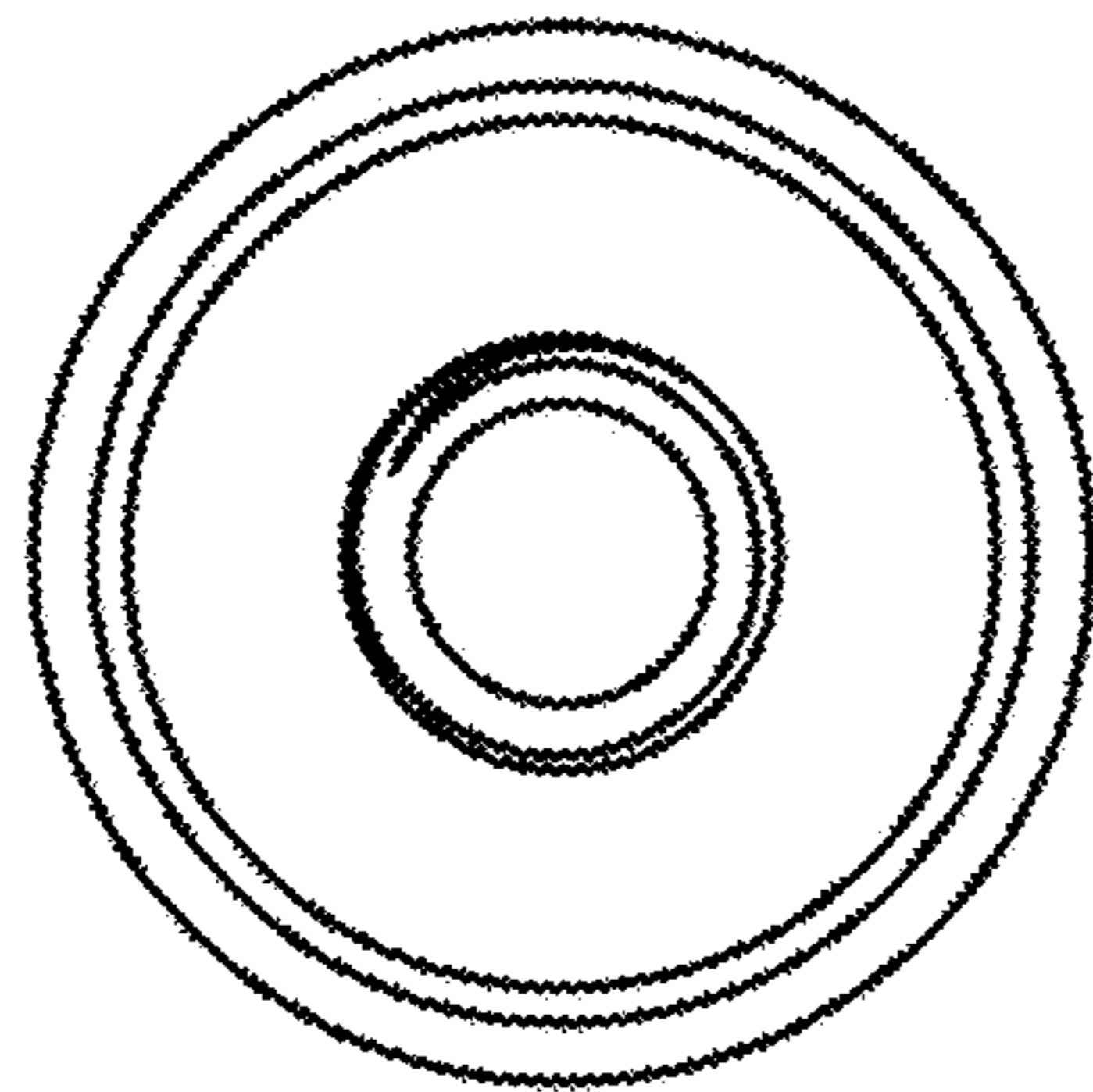


Figure 1

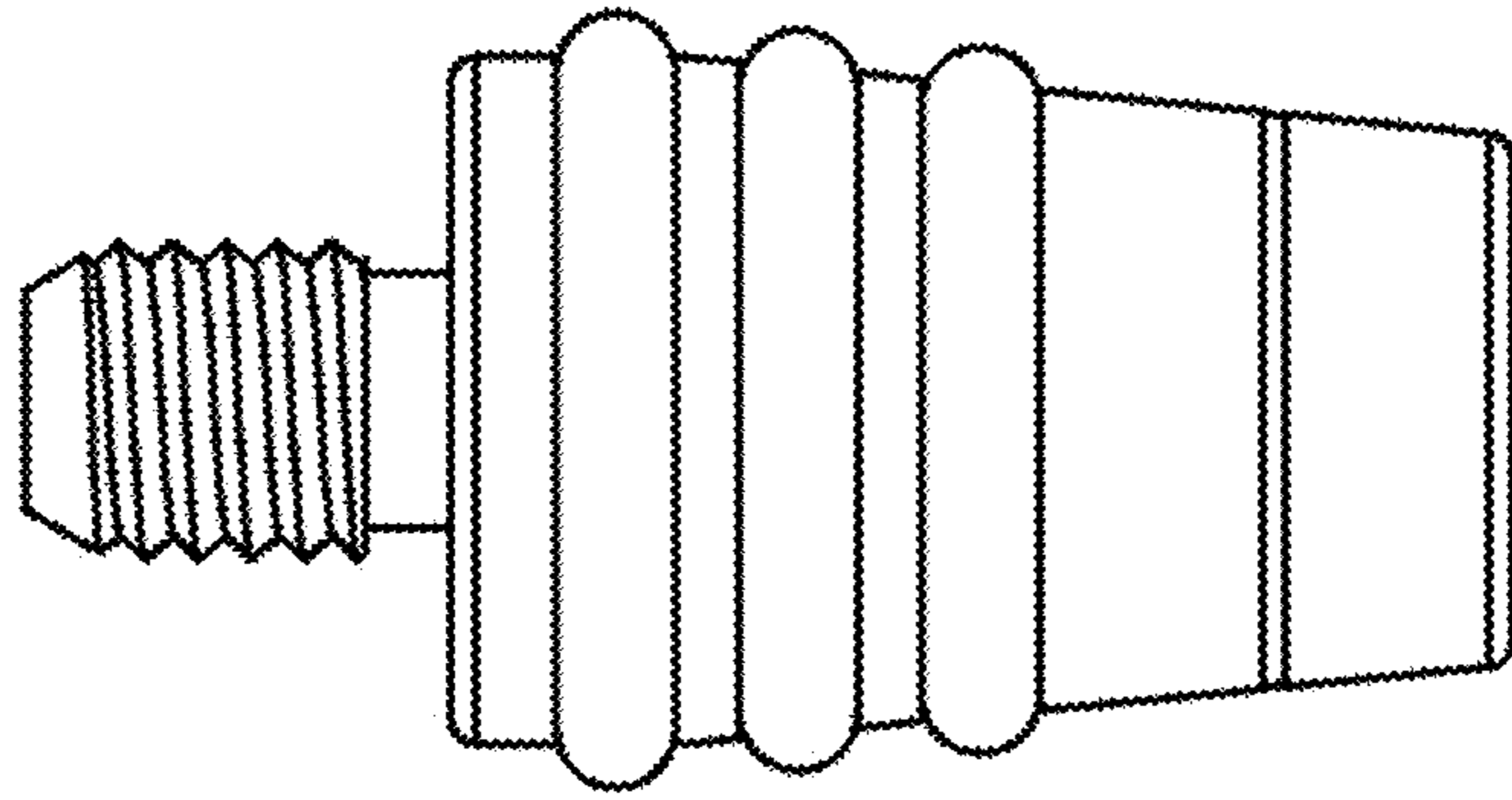


Figure 2

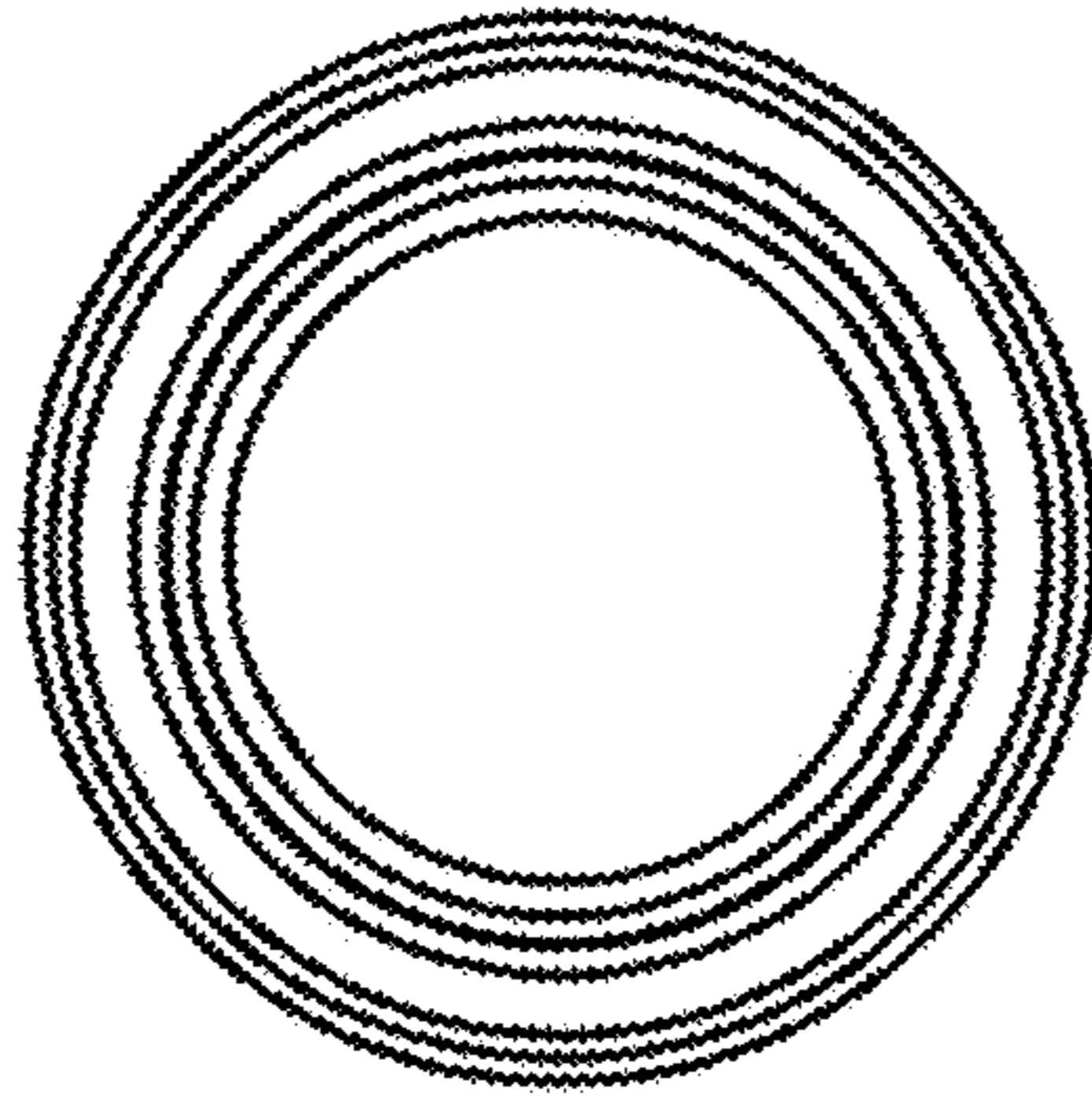


Figure 3

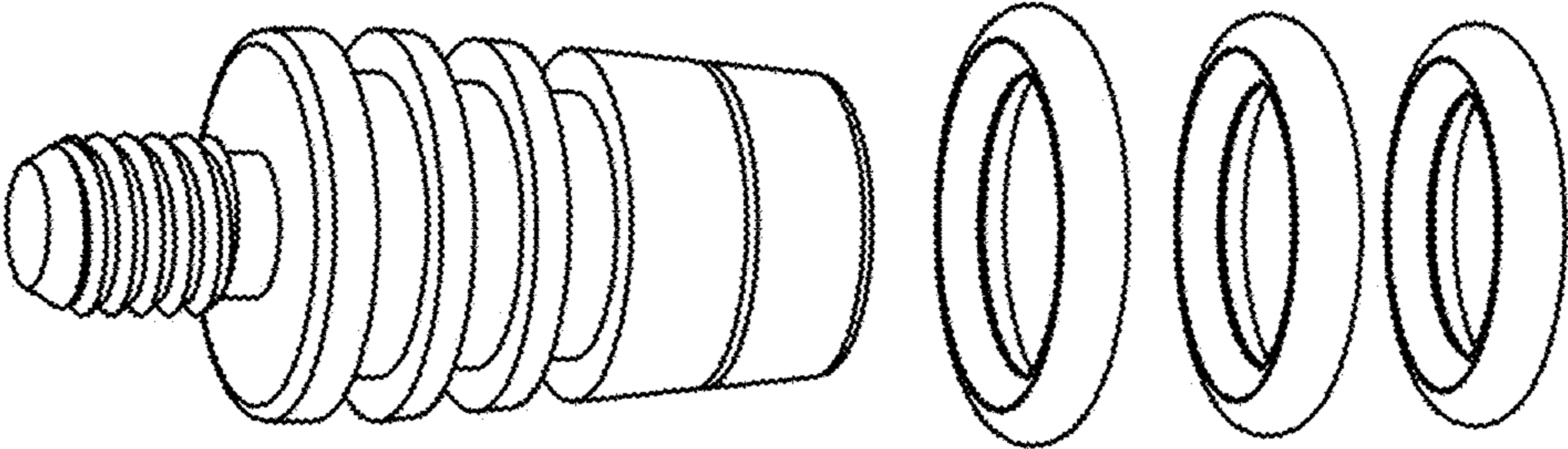


Figure 6

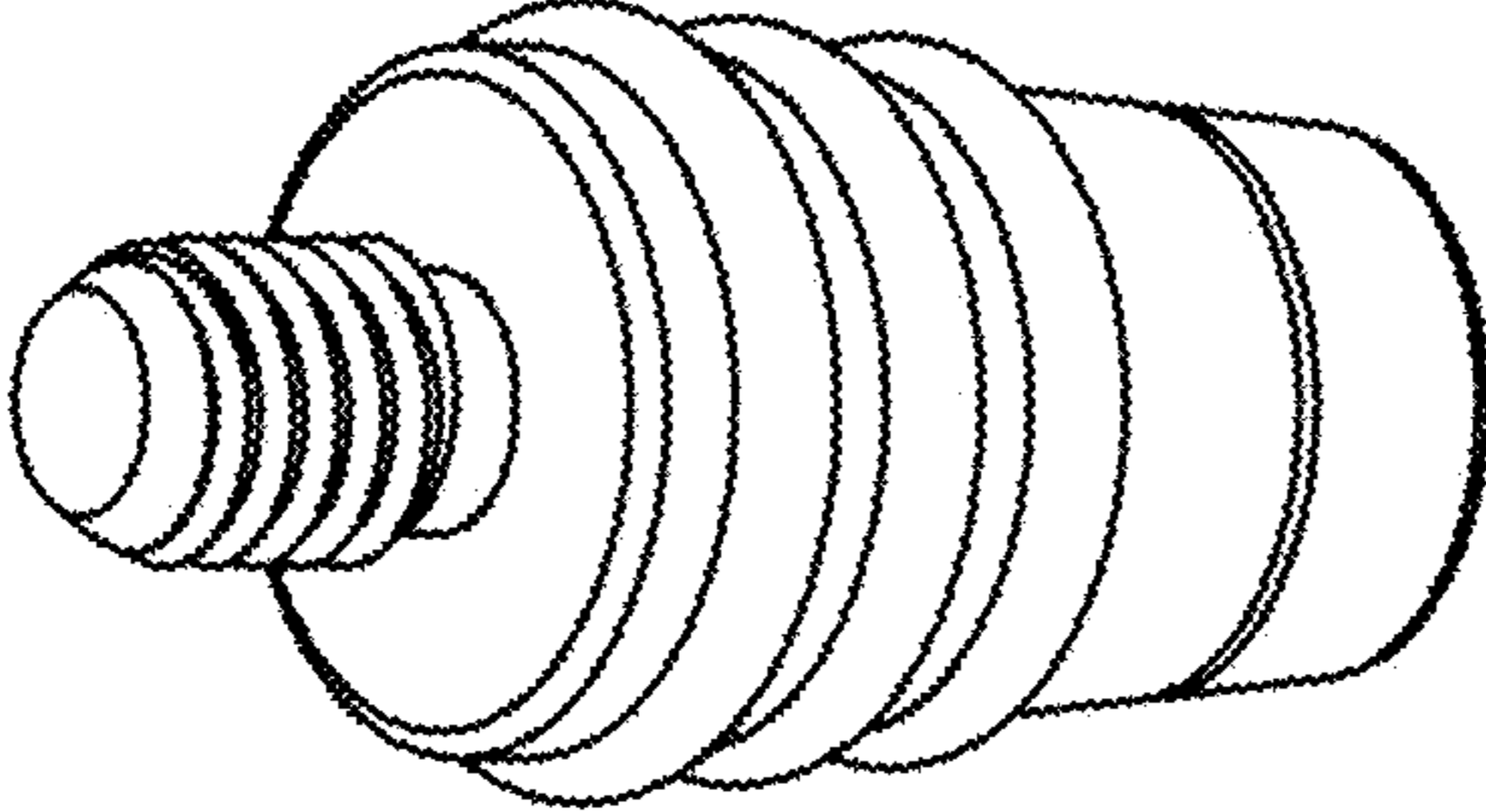


Figure 5

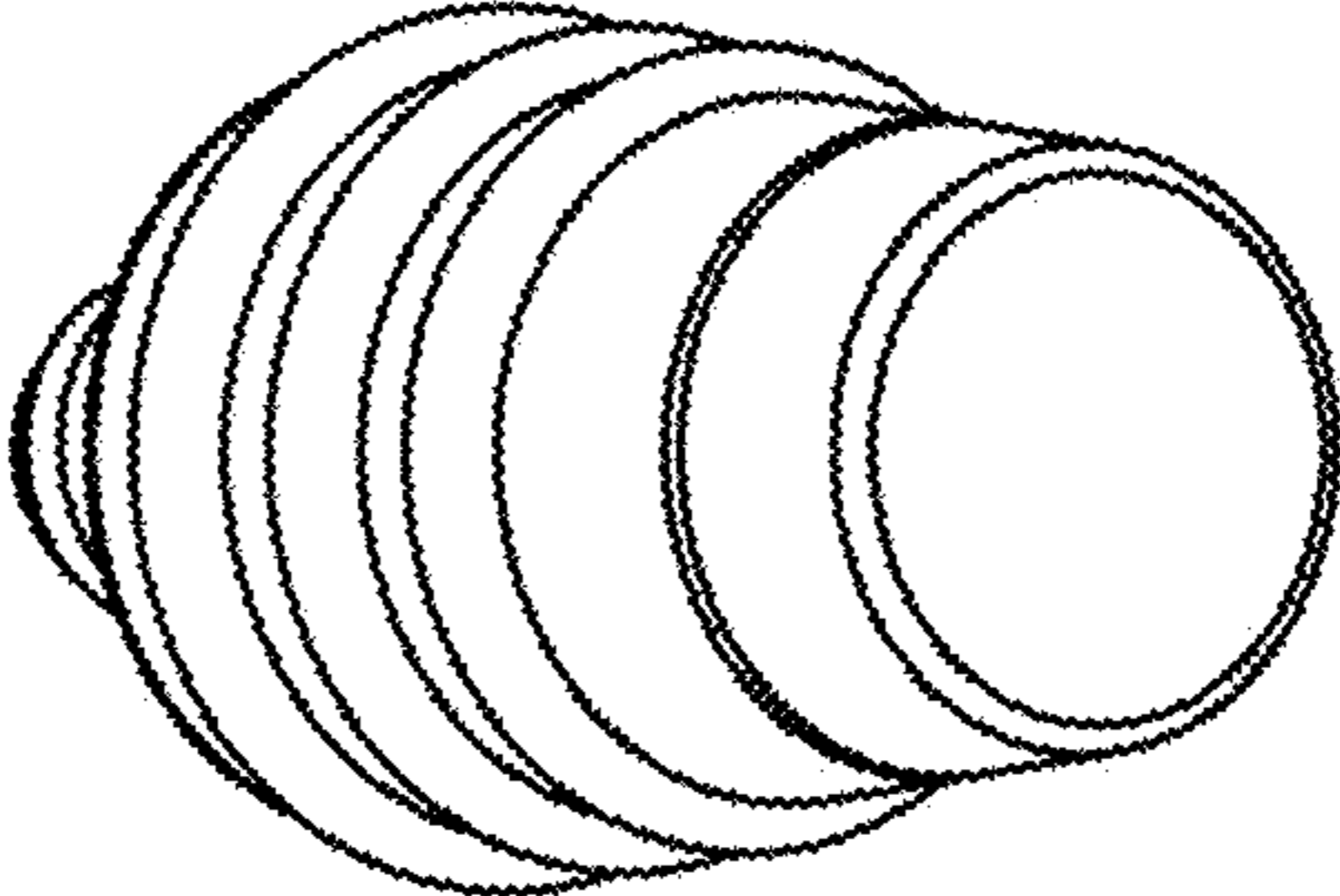


Figure 4

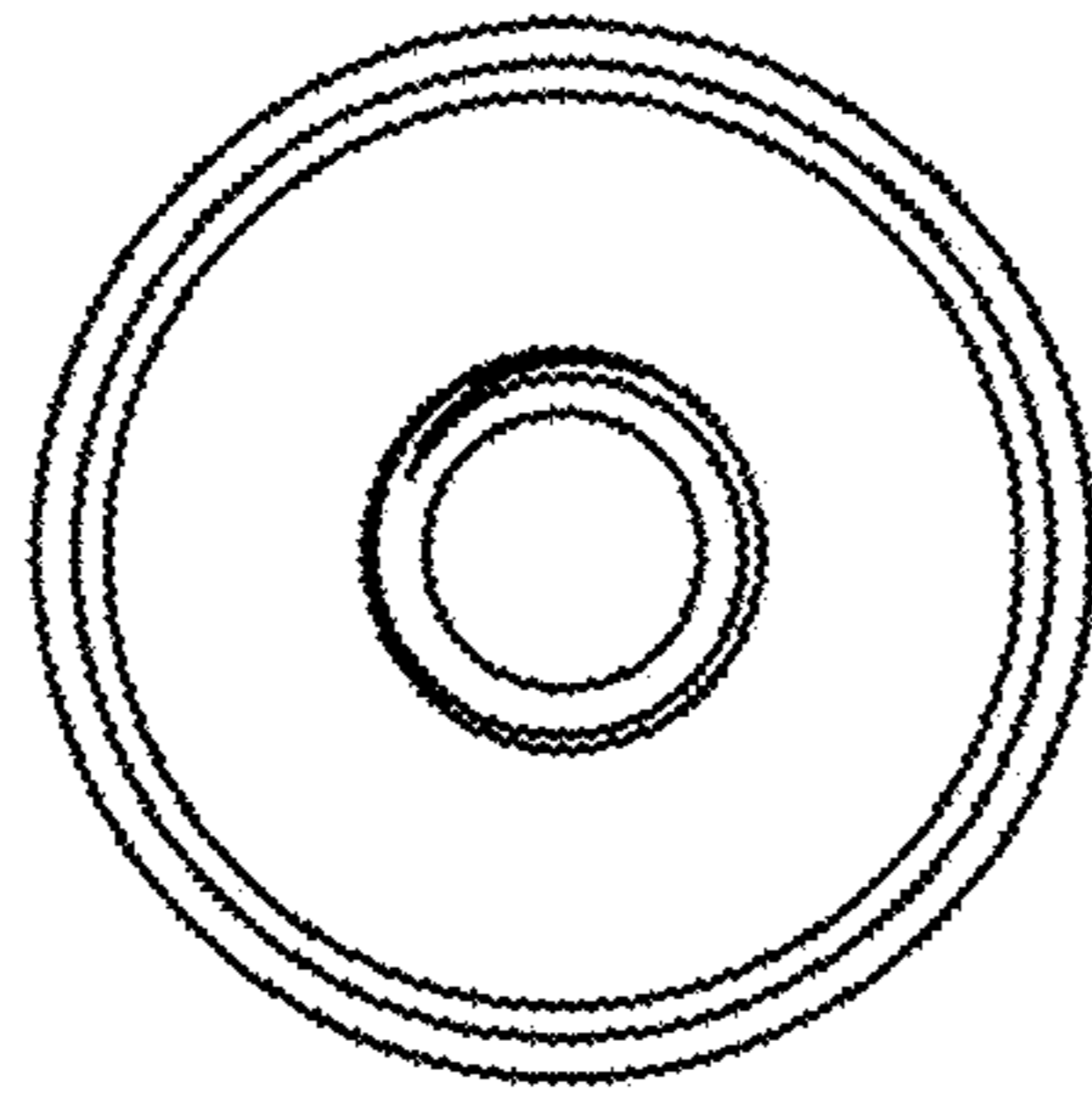


Figure 7

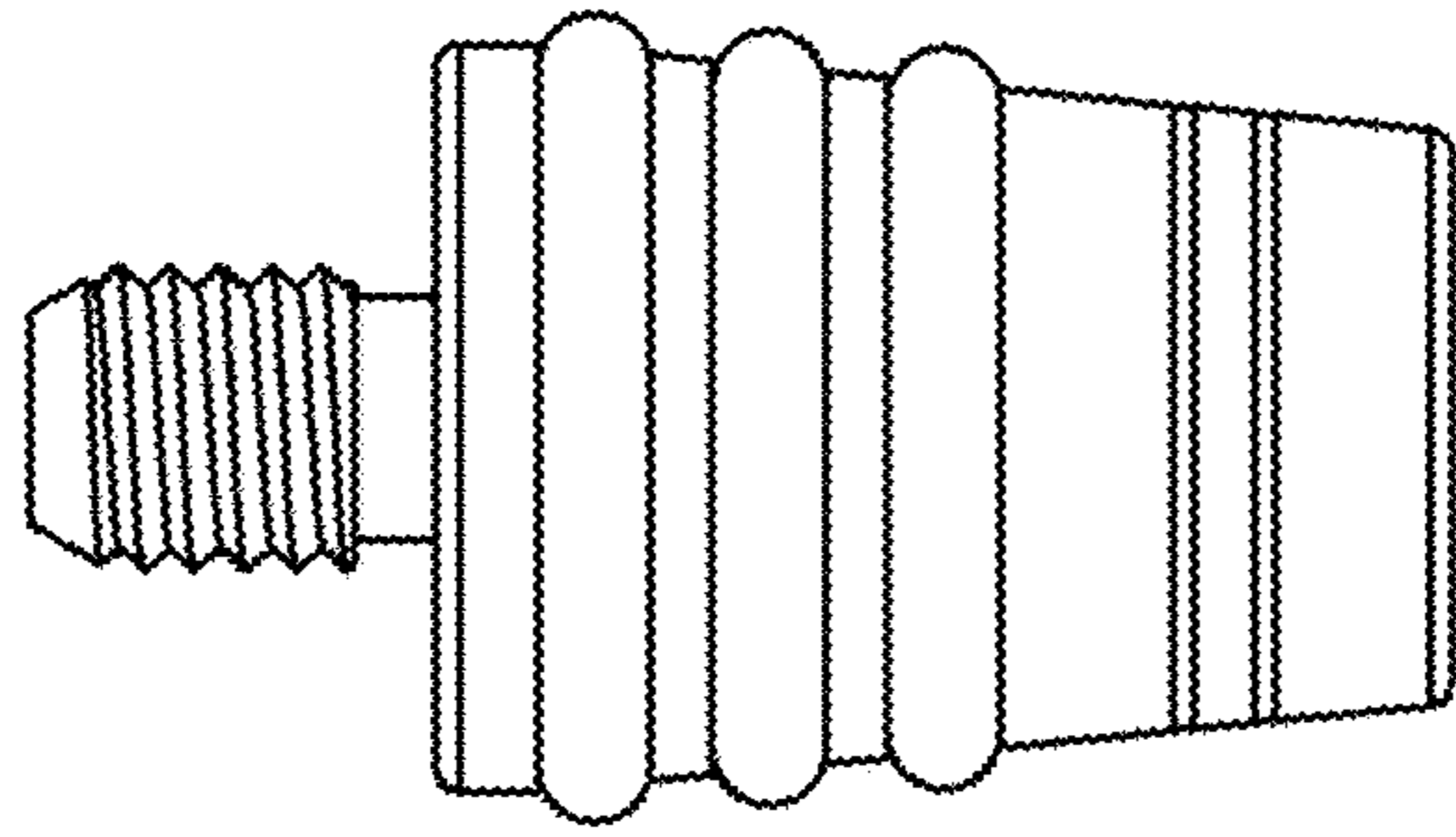


Figure 8

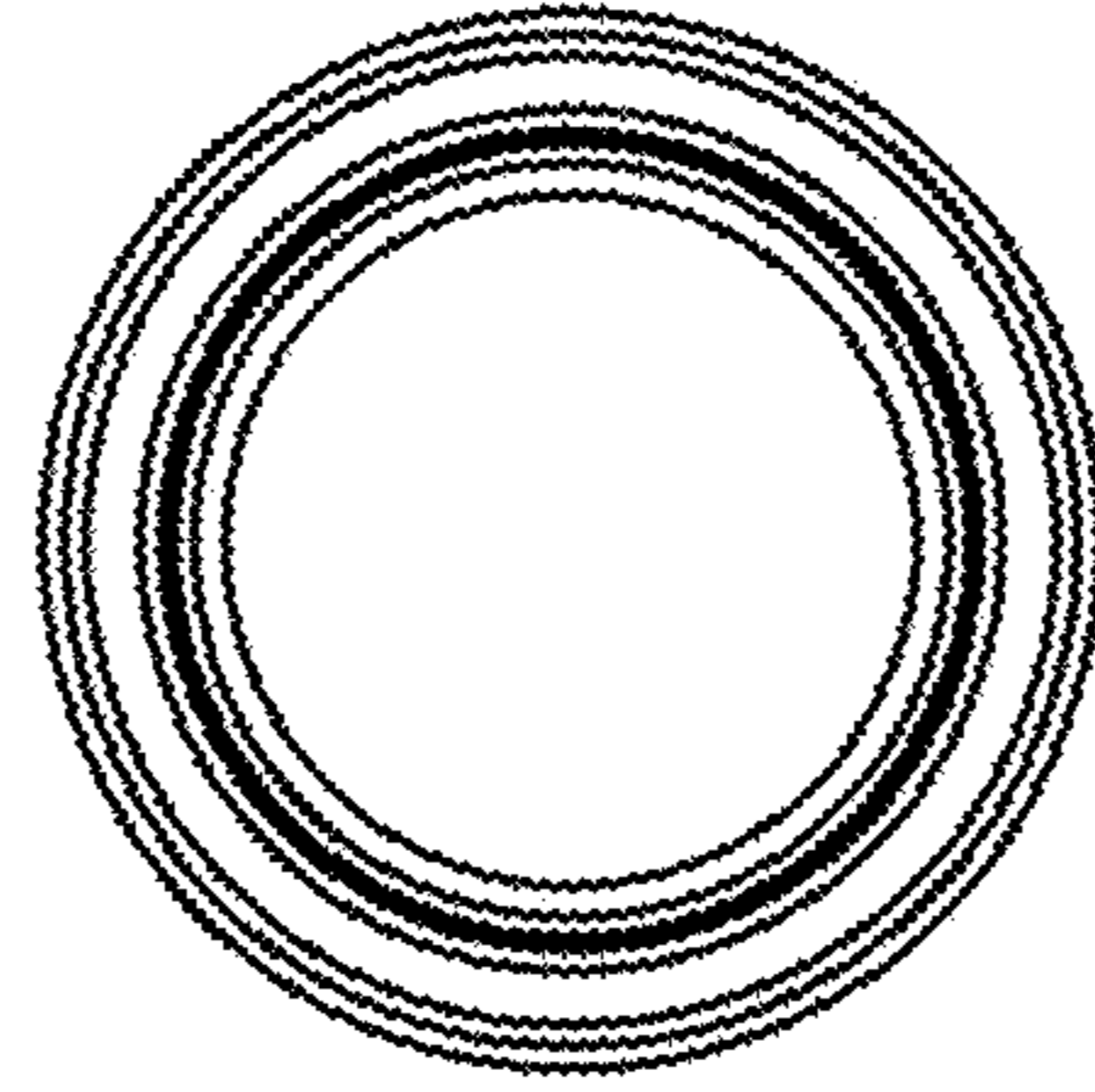


Figure 9

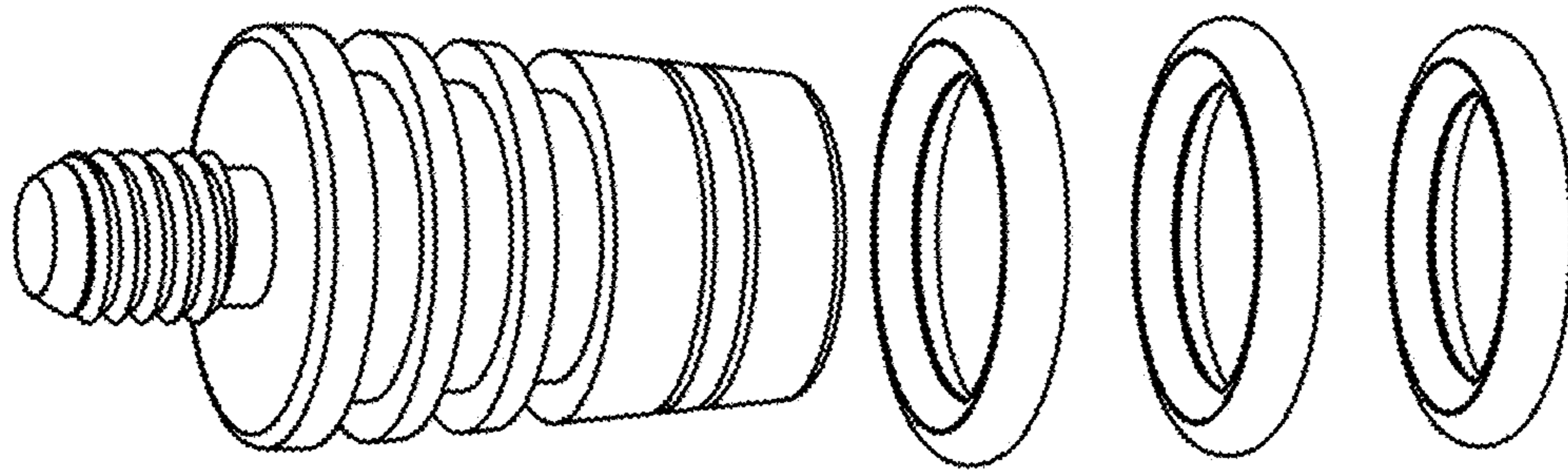


Figure 12

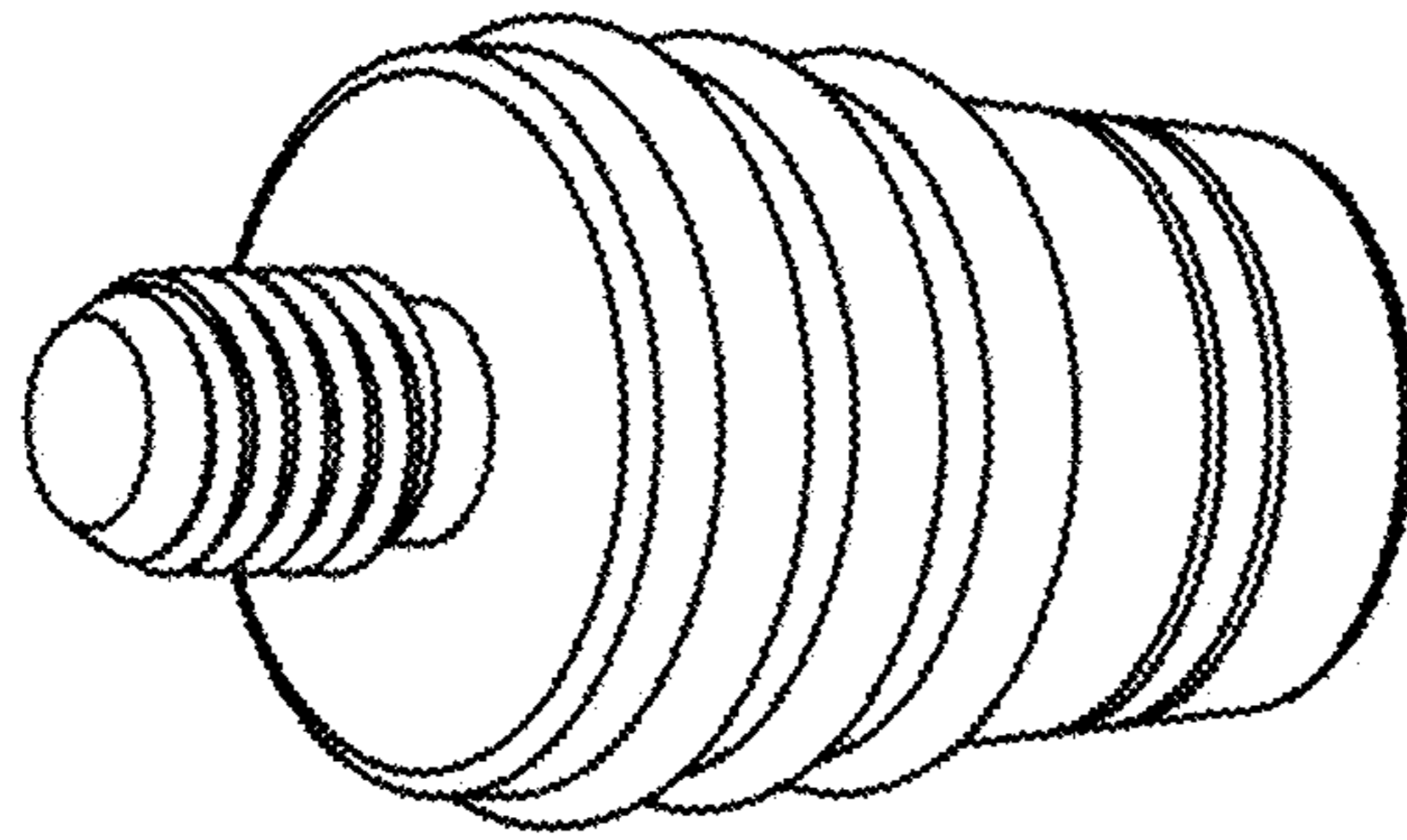


Figure 11

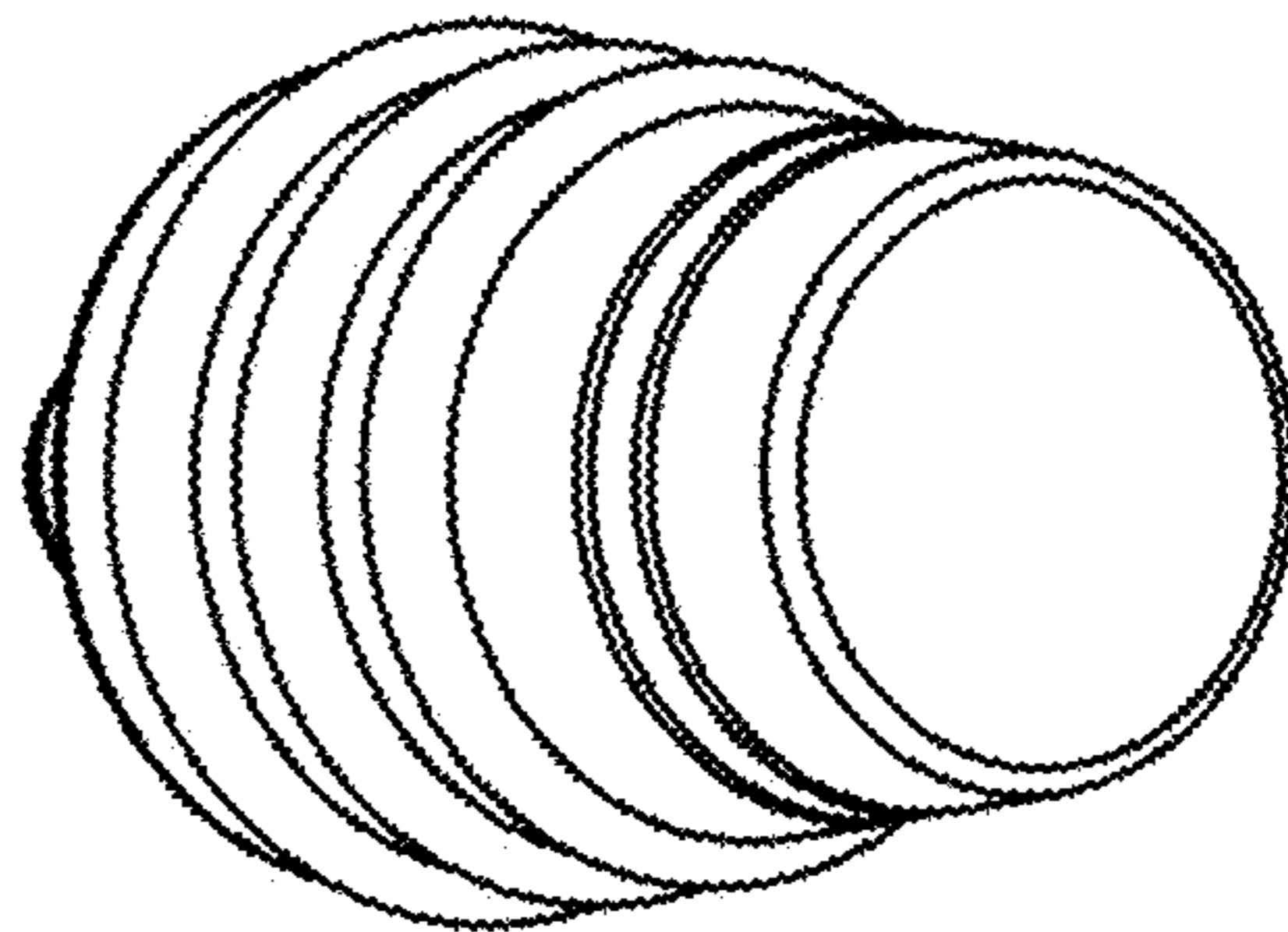


Figure 10

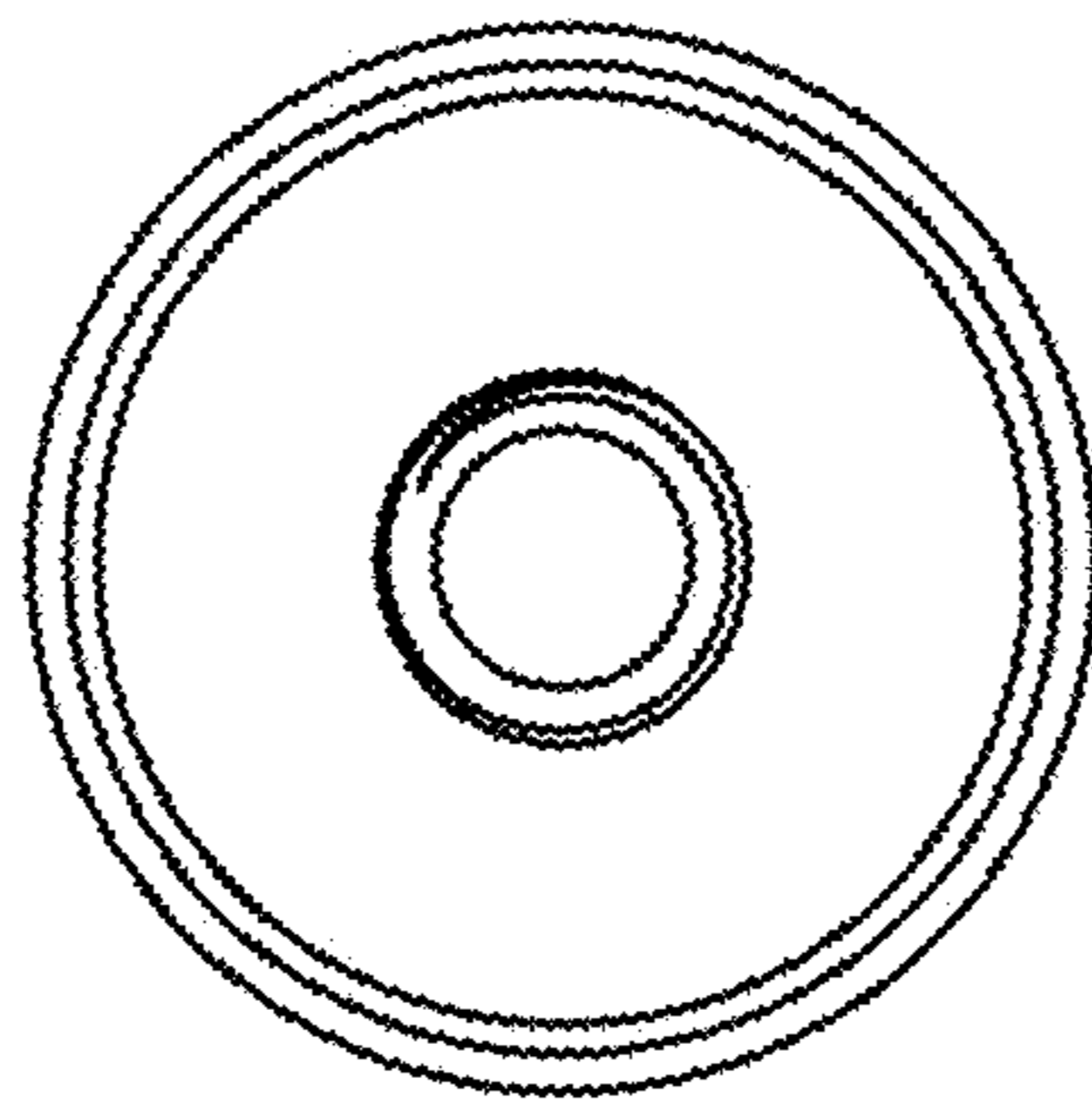


Figure 13

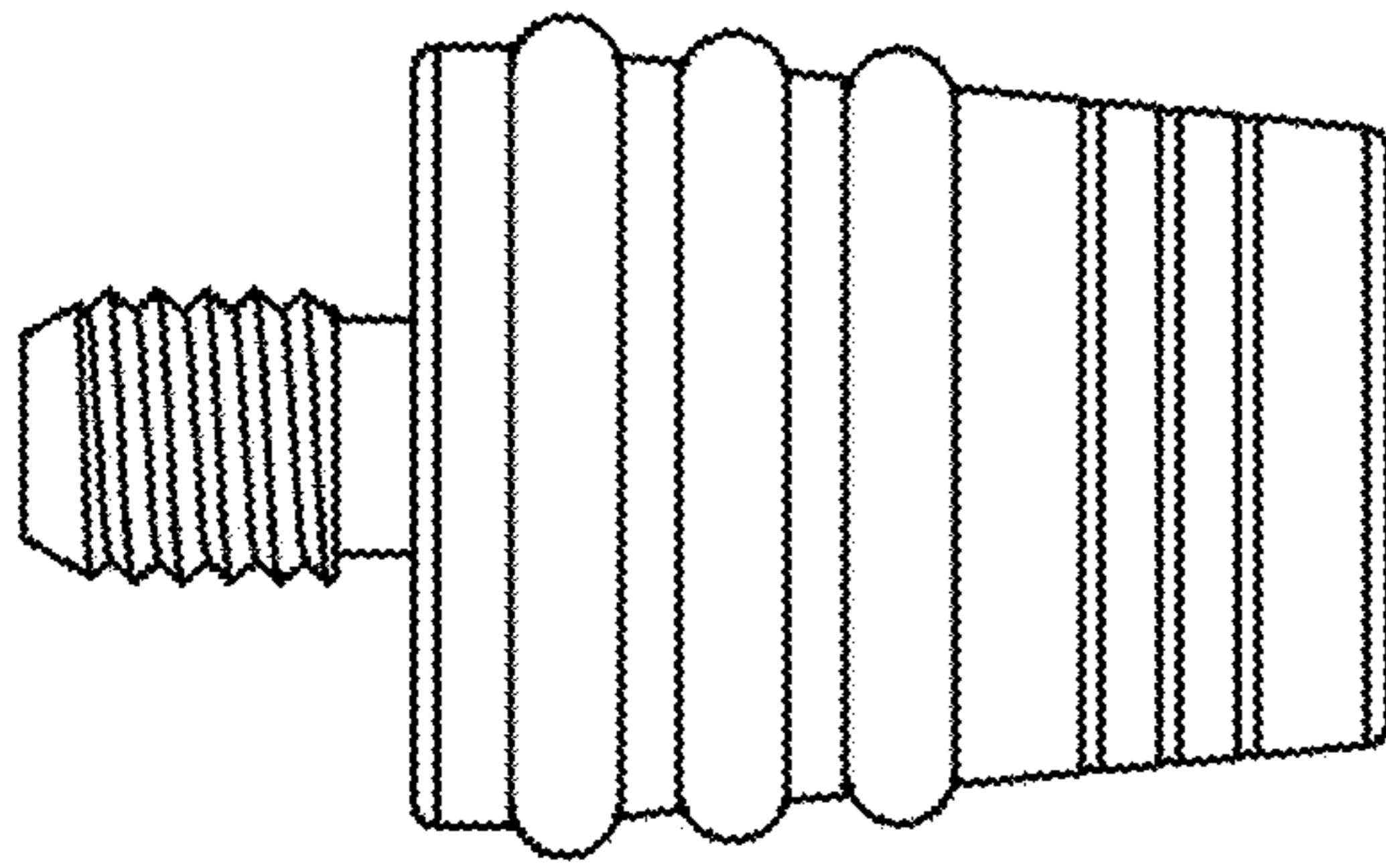


Figure 14

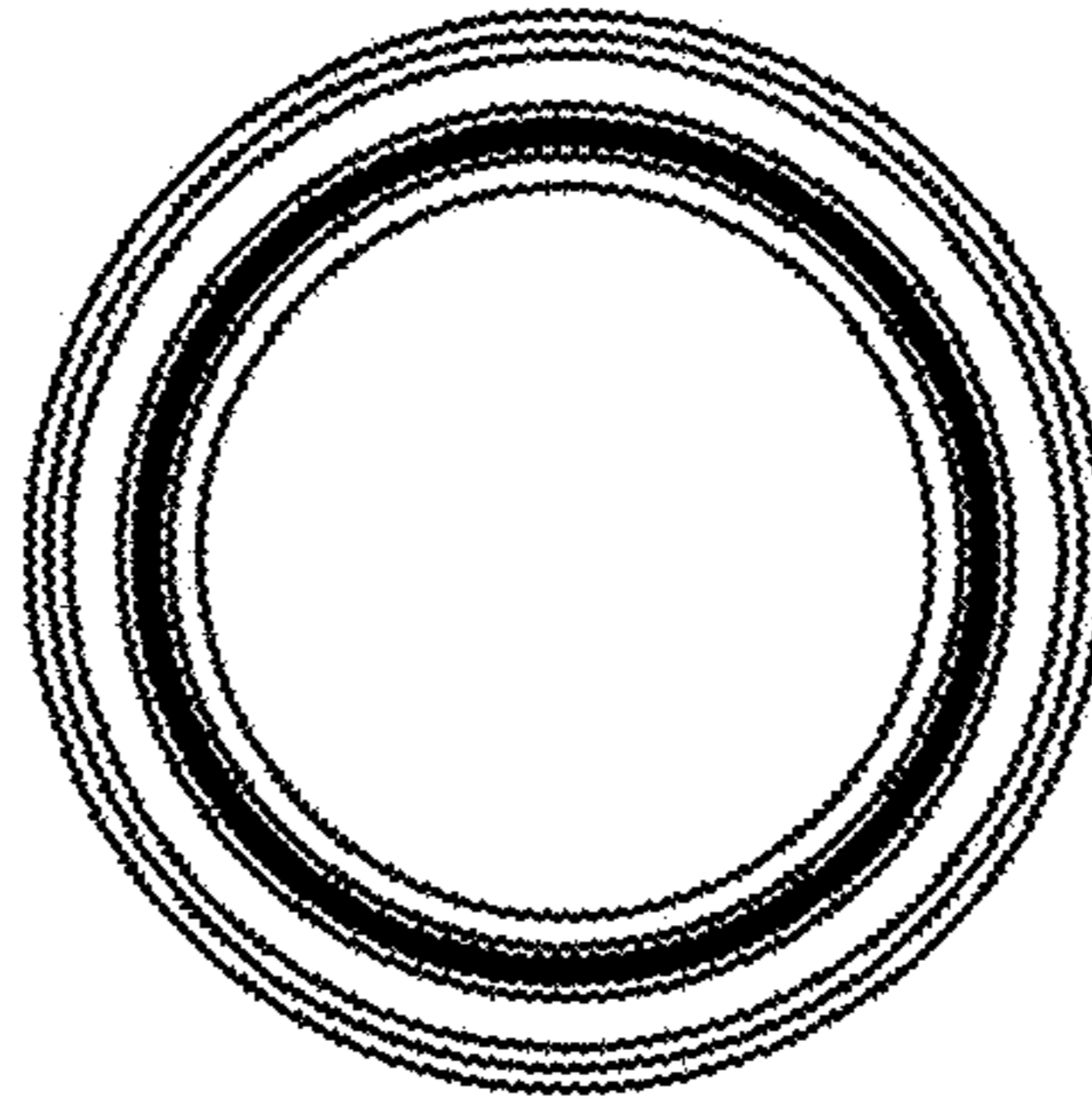


Figure 15

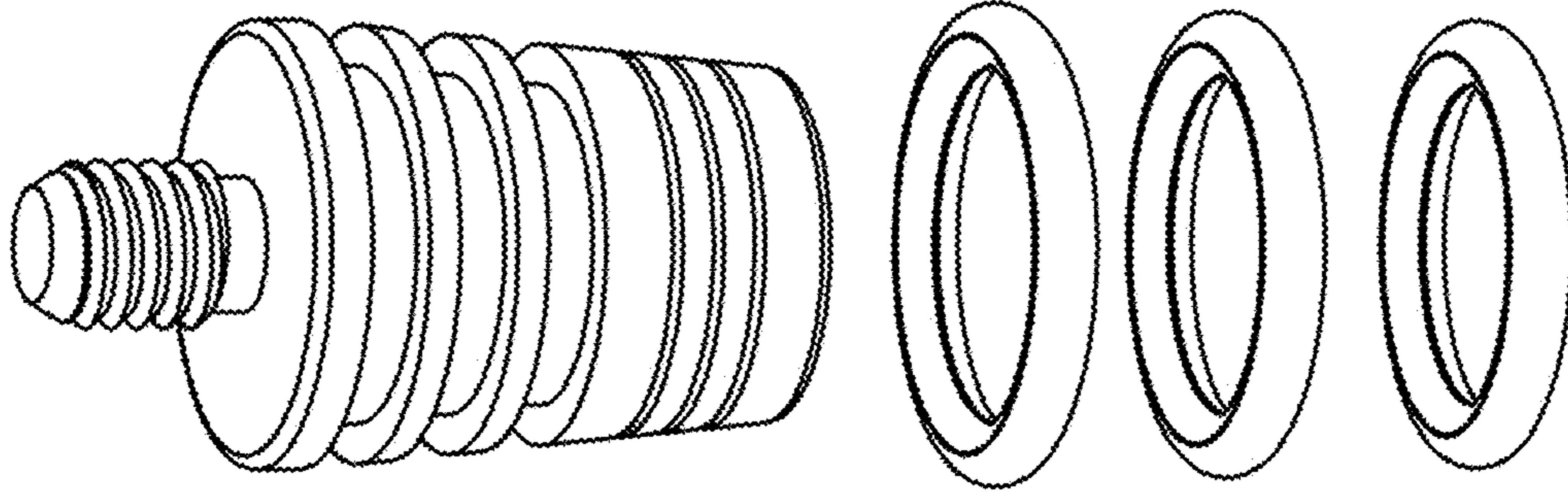


Figure 18

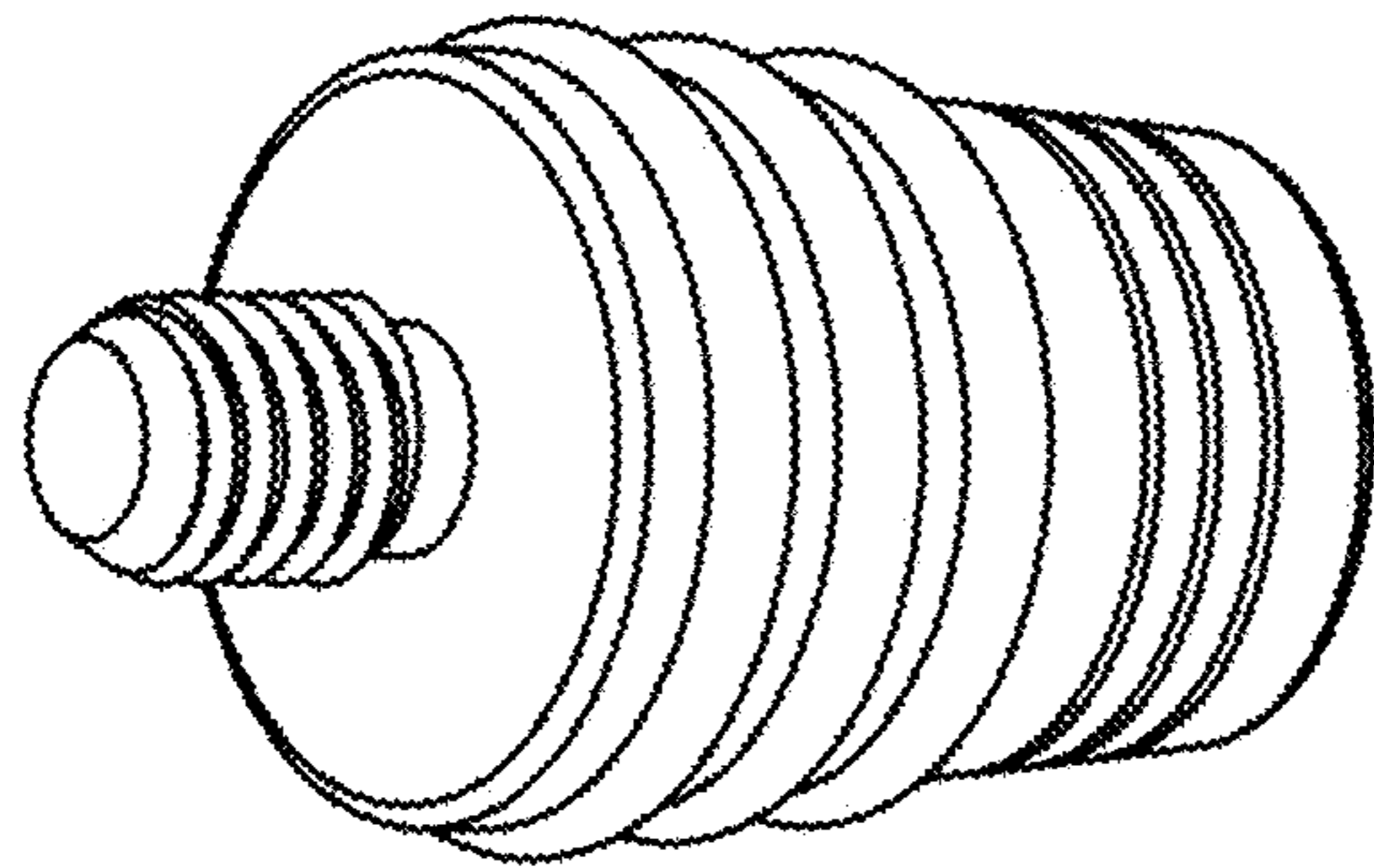


Figure 17

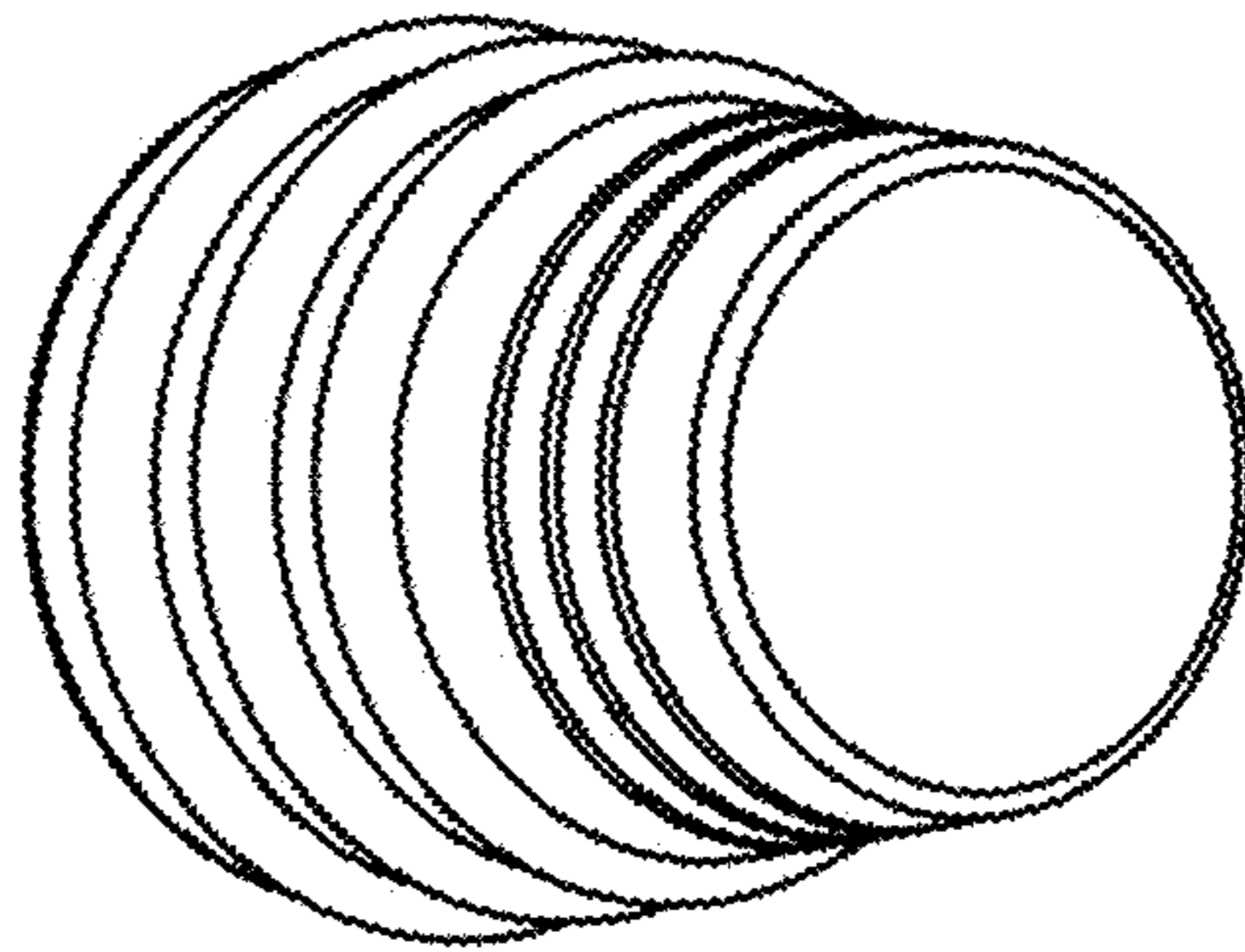


Figure 16