



US00D943412S

(12) **United States Design Patent**  
**Mayer**

(10) **Patent No.:** **US D943,412 S**

(45) **Date of Patent:** **\*\* Feb. 15, 2022**

(54) **TAMPER EVIDENT CARTON**

(71) Applicant: **Inno-Pak, LLC**, Delaware, OH (US)

(72) Inventor: **Steven A. Mayer**, Indianapolis, IN (US)

(73) Assignee: **Inno-Pak, LLC**, Delaware, OH (US)

(\*\*) Term: **15 Years**

(21) Appl. No.: **29/733,282**

(22) Filed: **Apr. 30, 2020**

(51) **LOC (13) Cl.** ..... **09-03**

(52) **U.S. Cl.**  
USPC ..... **D9/433**; D9/416; D9/431

(58) **Field of Classification Search**  
USPC ..... D9/414-418, 420, 423, 430-434, 499,  
D9/422, 426, 455, 456; D3/232, 243,  
(Continued)

(56) **References Cited**

**U.S. PATENT DOCUMENTS**

D73,127 S 7/1927 Greve  
1,987,545 A \* 1/1935 Alexander ..... B65D 5/16  
229/123.1

(Continued)

**FOREIGN PATENT DOCUMENTS**

CN 2347943 Y 11/1999  
DE 29500157 U1 2/1995

(Continued)

**OTHER PUBLICATIONS**

Made-in-China. Small Custom Design Kraft Food Gift Origami Paper Packaging Box with Lid. Publication date unavailable. Visited Nov. 23, 2021. <https://engytech.en.made-in-china.com/product/>

zyqnlLdSQXVo/China-Factory-Price-Small-Custom-Design-Kraft-Food-Gift-Origami-Paper-Packaging-Box-with-Lid.html (Year: 0).\*

(Continued)

*Primary Examiner* — Darcey E Gottschalk

*Assistant Examiner* — Vanessa Michelle Pursley

(74) *Attorney, Agent, or Firm* — Ward and Smith, P.A.;  
Ryan K. Simmons

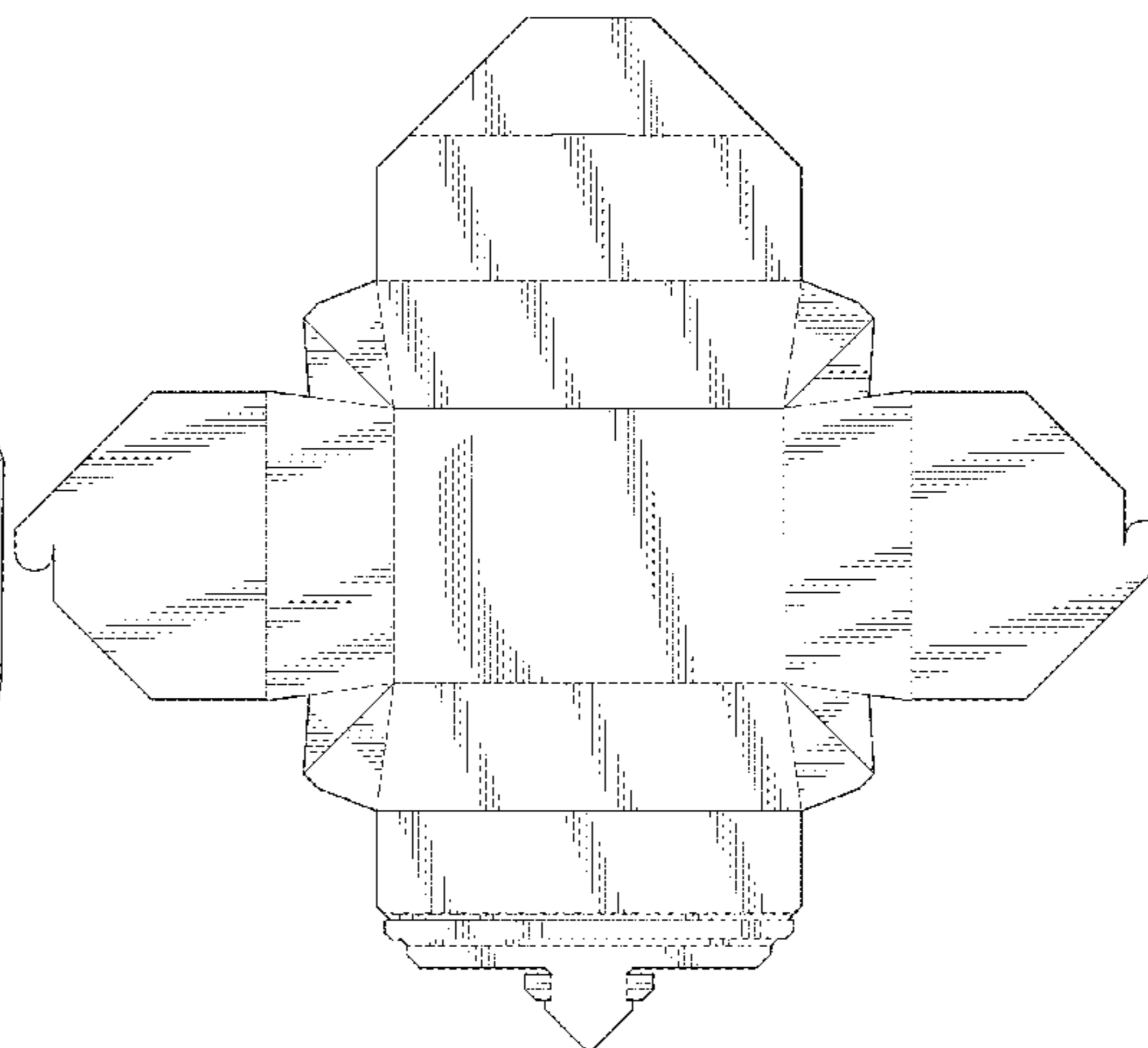
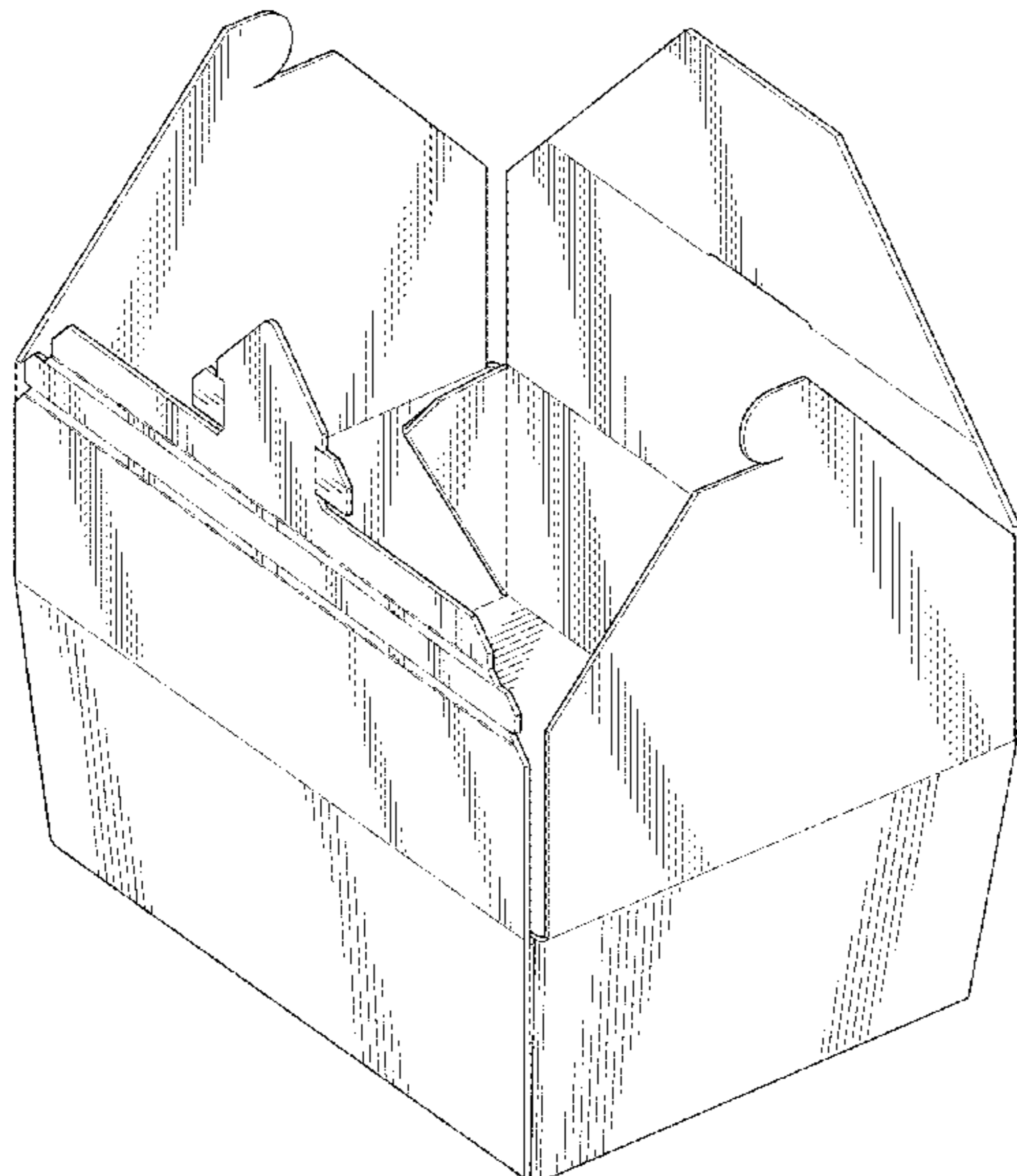
(57) **CLAIM**

The ornamental design for a tamper evident carton, as shown and described.

**DESCRIPTION**

FIG. 1 is a perspective view of a tamper evident carton showing a new design;  
FIG. 2 is a front elevation view thereof;  
FIG. 3 is a rear elevation view thereof;  
FIG. 4 is a left side elevation view thereof;  
FIG. 5 is a right side elevation view thereof;  
FIG. 6 is a top plane view thereof;  
FIG. 7 is a bottom plane view thereof;  
FIG. 8 is another perspective view of the tamper evident carton of FIG. 1 shown in a closed configuration;  
FIG. 9 is a front elevation view thereof;  
FIG. 10 is a rear elevation view thereof;  
FIG. 11 is a left side elevation view thereof;  
FIG. 12 is a right side elevation view thereof;  
FIG. 13 is a top plane view thereof;  
FIG. 14 is a bottom plane view thereof;  
FIG. 15 is another perspective view of the tamper evident carton of FIG. 8 shown with a tamper evident strip partially removed; and,  
FIG. 16 is a top plane view of the tamper evident carton of FIGS. 1 and 8 shown in a flat unfolded configuration.  
In the drawings the dash-dash broken lines in FIG. 15 depicting a hand are for the purpose of illustrating environment only and form no part of the claimed design.

**1 Claim, 13 Drawing Sheets**





(56)

References Cited

U.S. PATENT DOCUMENTS

D568,765 S	5/2008	Miles	D698,644 S	2/2014	Teopas	
D573,408 S	7/2008	Lovett	D699,101 S *	2/2014	Strom .....	D9/416
D573,409 S	7/2008	Lovett	D706,128 S *	6/2014	Strom .....	D9/416
D576,482 S	9/2008	Debusk	D706,132 S	6/2014	Sill	
D578,387 S	10/2008	Lovett	D707,042 S	6/2014	Ruzzenente	
D582,268 S	12/2008	Zanaletti	D707,123 S	6/2014	Marchetti et al.	
D582,791 S	12/2008	Elmerhaus	D710,691 S	8/2014	Genender	
D584,108 S	1/2009	Olsson	D712,153 S	9/2014	Lee	
D590,596 S	4/2009	Dretzka	D713,725 S	9/2014	Cedeno	
D595,155 S	6/2009	Larson	D714,638 S	10/2014	Mohn et al.	
D596,027 S	7/2009	Kalberer	D718,641 S	12/2014	Ryan et al.	
D596,448 S	7/2009	Nolan	8,939,350 B2	1/2015	Valencia	
D596,449 S	7/2009	Nolan	D726,533 S	4/2015	Northrup	
D596,903 S	7/2009	Willis et al.	D727,724 S	4/2015	Pipes et al.	
7,565,997 B1	7/2009	Lim	D727,732 S	4/2015	Petty	
D599,611 S	9/2009	Hoekstra	D728,359 S	5/2015	Iwegbu	
D605,896 S	12/2009	Zalewski et al.	D728,364 S	5/2015	Baker et al.	
D608,153 S	1/2010	Furlong	D730,178 S	5/2015	Fullan	
D615,822 S	5/2010	Klein	D731,325 S	6/2015	Loessin	
D617,636 S *	6/2010	Vanhoutte .....	D735,576 S	8/2015	Aldridge	
D622,139 S	8/2010	Marcott et al.	D737,820 S	9/2015	Yu et al.	
D627,612 S	11/2010	Falk et al.	D742,759 S	11/2015	Ryan et al.	
D630,508 S	1/2011	Hubbard et al.	9,211,970 B2	12/2015	Hubbard et al.	
D630,885 S	1/2011	Stein	9,212,842 B2	12/2015	Vasbinder et al.	
D631,352 S	1/2011	Gilfert	9,216,837 B2	12/2015	Hubbard et al.	
D631,741 S	2/2011	Hubbard et al.	D746,643 S	1/2016	Kraemer	
D631,742 S	2/2011	Hubbard et al.	D746,671 S	1/2016	Fohner et al.	
D631,743 S	2/2011	Hubbard et al.	D752,429 S	3/2016	Mayer	
D633,341 S	3/2011	Smyers	9,309,023 B2	4/2016	Hubbard et al.	
D635,469 S	4/2011	Buitrago	D758,184 S	6/2016	Tu et al.	
D637,035 S	5/2011	Zorovich et al.	D760,036 S	6/2016	Hucuptan	
D641,256 S	7/2011	Fisher	D763,706 S	8/2016	Shum et al.	
7,984,806 B2	7/2011	Matheou	D764,276 S	8/2016	Das et al.	
D642,934 S	8/2011	Ly	D764,281 S	8/2016	Mayer	
D643,311 S	8/2011	Meyers	D766,664 S	9/2016	Wilson et al.	
D645,708 S	9/2011	Stamper et al.	D767,409 S	9/2016	Nickell	
8,061,585 B2	11/2011	Nikolai et al.	D769,114 S *	10/2016	Montemayor .....	D9/431
D649,838 S	12/2011	Stamper et al.	D769,732 S	10/2016	Shoshan	
D652,316 S	1/2012	Ren et al.	D770,270 S	11/2016	Mcgarry et al.	
D653,496 S	2/2012	Henry	D771,486 S	11/2016	Mayer	
D657,261 S	4/2012	De	D772,053 S	11/2016	Mayer	
D665,271 S	8/2012	Halty et al.	D775,946 S	1/2017	Ghini et al.	
D665,628 S	8/2012	Mayer	D776,548 S	1/2017	Bell	
D669,352 S	10/2012	Paslowski	D777,029 S	1/2017	Stratton	
D674,690 S	1/2013	Sill	D778,115 S	2/2017	Strachan	
D675,092 S	1/2013	Sill	D778,155 S	2/2017	Strachan	
D675,520 S	2/2013	Sill	D778,722 S	2/2017	Strachan	
D675,920 S	2/2013	Sill	D779,271 S	2/2017	Simon	
D676,742 S	2/2013	Walter et al.	D784,769 S	4/2017	Beckman et al.	
D678,760 S	3/2013	Cooper	9,630,748 B2	4/2017	Keller	
D678,761 S	3/2013	Cooper	D786,621 S	5/2017	Davis	
D678,762 S	3/2013	Cooper	D792,160 S	7/2017	Ng	
D678,779 S	3/2013	Lee	D792,161 S	7/2017	Ng	
D679,950 S	4/2013	Cooper	D792,211 S	7/2017	Foster et al.	
D682,085 S	5/2013	Hannant et al.	D792,222 S	7/2017	Sill et al.	
D682,684 S	5/2013	Walter et al.	D792,761 S	7/2017	Duval et al.	
D684,465 S	6/2013	Vernon et al.	D793,222 S *	8/2017	Boyea .....	D9/414
D684,858 S	6/2013	Sill	D793,868 S	8/2017	Kim et al.	
D688,552 S	8/2013	Vernon et al.	D798,707 S	10/2017	Mayer	
D688,572 S	8/2013	Marin	D798,736 S	10/2017	Shoshan	
D688,921 S	9/2013	Miros et al.	D809,849 S	2/2018	Lee	
D691,035 S	10/2013	Sill	D809,930 S	2/2018	Kagawa	
D693,180 S	11/2013	Peterson et al.	D809,931 S	2/2018	Kagawa	
D693,215 S	11/2013	Sill	D814,929 S	4/2018	Bergeron et al.	
D693,216 S	11/2013	Sill	D815,941 S	4/2018	Haddad	
D693,217 S	11/2013	Sill	D815,955 S	4/2018	Park et al.	
D693,218 S	11/2013	Sill	D818,316 S	5/2018	Disraeli	
D693,646 S	11/2013	Katterheinrich et al.	D823,486 S	7/2018	Hassan	
D693,679 S	11/2013	Sill	10,017,290 B2	7/2018	Faulkner et al.	
D695,101 S	12/2013	Keberlein et al.	D828,099 S	9/2018	Zhang	
D695,104 S	12/2013	Sill	D828,157 S	9/2018	Paradis	
D695,107 S	12/2013	Clements	D828,766 S	9/2018	Latour et al.	
D695,575 S	12/2013	Katz	D829,563 S	10/2018	Park et al.	
D695,605 S	12/2013	Johnson	D830,193 S	10/2018	Park et al.	
D697,789 S	1/2014	Gerdes et al.	D830,852 S	10/2018	Sill et al.	
			D836,449 S	12/2018	Park et al.	
			10,167,134 B2	1/2019	Zeitlin et al.	
			D840,232 S	2/2019	Sill et al.	
			D849,553 S	5/2019	Song et al.	

(56)

References Cited

U.S. PATENT DOCUMENTS

D850,932	S	6/2019	Troudt et al.	
D850,933	S	6/2019	Troudt et al.	
D854,942	S	7/2019	Requena et al.	
D854,943	S	7/2019	Requena et al.	
D858,270	S	9/2019	Requena et al.	
D860,790	S	9/2019	Sedgwick	
10,398,243	B2	9/2019	Sedgwick	
D869,289	S	12/2019	Sill et al.	
D875,530	S	2/2020	Sill et al.	
D876,951	S	3/2020	Sill et al.	
2002/0063194	A1	5/2002	O'malley	
2002/0108955	A1	8/2002	Erb	
2003/0217946	A1	11/2003	Hsu	
2004/0182916	A1	9/2004	Roseth	
2005/0023234	A1	2/2005	Head	
2005/0051461	A1	3/2005	Bryant	
2005/0103674	A1	5/2005	Matheou	
2005/0124521	A1	6/2005	Sadlowski et al.	
2005/0150788	A1	7/2005	Feusner	
2007/0074993	A1	4/2007	Philips	
2007/0163449	A1	7/2007	Hart	
2007/0178194	A1	8/2007	Everard	
2007/0292053	A1	12/2007	Lin et al.	
2008/0269034	A1	10/2008	Stier	
2008/0286431	A1	11/2008	Brown	
2009/0186132	A1	7/2009	Mangino et al.	
2010/0065620	A1	3/2010	Smith	
2010/0112292	A1	5/2010	Gilfert	
2011/0094918	A1	4/2011	Hernandez	
2011/0120993	A1	5/2011	Birchmeier et al.	
2011/0240653	A1	10/2011	Castner et al.	
2012/0234904	A1	9/2012	Costanzo, Jr.	
2013/0134067	A1	5/2013	Ramirez et al.	
2014/0203070	A1	7/2014	Lee	
2014/0263353	A1	9/2014	Bell	
2014/0263600	A1	9/2014	Valencia	
2016/0107830	A1	4/2016	Baryshyan	
2017/0295974	A1	10/2017	Lai	
2018/0339807	A1	11/2018	Mobarhan	
2019/0053652	A1	2/2019	Sedgwick	
2019/0112116	A1	4/2019	Su et al.	
2019/0322409	A1	10/2019	Sill et al.	
2019/0367207	A1*	12/2019	Gathercole .....	B65D 5/103
2021/0292041	A1*	9/2021	Inwood .....	B65D 5/54

FOREIGN PATENT DOCUMENTS

DE	10-2009-007985	A1	2/2010
EP	0 515 086	A1	11/1992
GB	2088269		11/1999
JP	2017-061324	A	3/2017

OTHER PUBLICATIONS

Bowl Sleeve, The Custom Packaging Boxes, Available from internet, <https://thecustumpackagingboxes.com/boxes-by-style/bowl-sleeve/>, 2018, 04 pages.

Food packaging sleeves, Ostle & Maillard, 2019, 04 pages.

Alibaba, "Black Disposable Divided Food Trays", Available from Internet, <URL:<https://thai.alibaba.com/product-detail/Airline-disposable-plastic-four-compartment-CPET-1238104653.html>>, accessed on Apr. 3, 2017, Oct. 1, 2013, 9 pages.

Alibaba, "Disposable Plastic Two Compartment Food Container", [https://www.alibaba.com/product-detail/Disposable-plastic-two-compartment-food-container\\_60599614850.html](https://www.alibaba.com/product-detail/Disposable-plastic-two-compartment-food-container_60599614850.html), 2018, 8 pages.

Amazon, "DART 205HT2, 9x6x3-Inch Performer White Two Compartment Foam Container with a Removable Hinged Lid, Carryout Food Disposable Containers", Available on amazon.com/DART-205HT2-9x6x3-Inch-Compartment-Disposable/dp/B01LWTYPEW/ref=sr\_1\_2?keywords=Dart+205HT2&qid=1572602603&sr=8-2, Sep. 12, 2016, 6 pages.

Amazon, "Food Containers 3 Compartment Premium", Available from <URL [https://www.amazon.com/dp/B0741BQMY7/ref=sspa\\_dk\\_detail\\_2?psc=1%20&pd\\_rd\\_i=B0741BQMY7&pd\\_rd\\_wg=gDStp%20&pd\\_rd\\_r=ACEV1YJAC97ZZPCCXWCW&pd\\_rd\\_w=XZKtg](https://www.amazon.com/dp/B0741BQMY7/ref=sspa_dk_detail_2?psc=1%20&pd_rd_i=B0741BQMY7&pd_rd_wg=gDStp%20&pd_rd_r=ACEV1YJAC97ZZPCCXWCW&pd_rd_w=XZKtg)>, Accessed on Mar. 8, 2018, Jul. 18, 2017, 9 pages.

Amazon, "Freshware Meal Prep Containers [30 Pack] 3 Compartment with Lids, Food Storage Containers, Bento Box | BPA Free | Stackable | Microwave/Dishwasher/Freezer Safe (32 oz)", Feb. 13, 2019, 9 pages.

Amazon, "Pactiv RCL750200, 3-Compartment Aluminum Foil Pans Combo with Flat Foil Lids, Take Out Disposable Foil Containers with Matching Covers", Available at [https://www.amazon.com/Pactiv-RCL750200-3-Compartment-Disposable-Containers/dp/B01LXOJ7BP/ref=sr\\_1\\_1?keywords=Pactiv+RCL750200&qid=1572606252&sr=8-1](https://www.amazon.com/Pactiv-RCL750200-3-Compartment-Disposable-Containers/dp/B01LXOJ7BP/ref=sr_1_1?keywords=Pactiv+RCL750200&qid=1572606252&sr=8-1), Sep. 28, 2016, 5 pages.

Amazon, "Southern Champion Tray 0731 #1 ChampPak Classic Take-Out Container, Kraft Paperboard Coated Inside", Southern Champion Tray, Jan. 17, 2013, 1 page.

Amazon, "Southern Champion Tray 23133K Kraft Paperboard Lock Corner Window Bakery Box", Available from internet [https://www.amazon.com/gp/product/B008WCWJ9S/ref=s9\\_zwish\\_hd\\_bw\\_g328\\_i1?pf\\_rd\\_m=ATVPDKIKXODER&pf\\_rd\\_s=merchandised-search-5&pf\\_rd\\_r=OF299N2PNPMAY8WZM12D&pf\\_rd\\_t=101&pf\\_rd\\_p=2223275202&pf\\_rd\\_i=5016466011](https://www.amazon.com/gp/product/B008WCWJ9S/ref=s9_zwish_hd_bw_g328_i1?pf_rd_m=ATVPDKIKXODER&pf_rd_s=merchandised-search-5&pf_rd_r=OF299N2PNPMAY8WZM12D&pf_rd_t=101&pf_rd_p=2223275202&pf_rd_i=5016466011), Mar. 15, 2013, 1 page.

amazon.com, "50 Paper Food to Go Containers—51 oz—New Design with Waist Seal Band—Eco Friendly Disposable Kraft Paper Take Out Food Container—Sturdy Leak & Grease Proof Microwavable Take Away Boxes", retrieved from web on Nov. 5, 2019, available on <https://www.amazon.com/Paper-Food-Containers-Disposable-Microwavable/dp/B07M74VWXW>, 6 pages.

Blair Candy, "Empty Candy Boxes", Available at <https://www.blaircandy.com/emcabo.html>, accessed on Oct. 30, 2015, 2013, 1 page.

Dean Supply, "Disposable Takeout Containers", Jul. 18, 2017, 9 pages.

Flex Active Sports, "Buy 3-Compartment Food Prep Containers", Available from Internet, <URL:<http://flexactivesports.com/buy-3-compartment-food-prep-containers/>>, accessed on Apr. 17, 2017, Jan. 5, 2016, 14 pages.

Glynn Robin, "Origami Treasure Chest", Available at <https://www.youtube.com/watch?v=WpgGqeBQvj4>, accessed on Oct. 30, 2015, Nov. 29, 2010, 1 page.

Importitall, "Southern Champion Tray 0761 #1", ChampPak Retro Take-Out, Jul. 13, 2017, 1 page.

Importitall, "Southern Champion Tray 0764 #4", ChampPak Retro Take-Out, Jul. 13, 2017, 1 page.

Inno-Pak, "Innobox Edge Insert", Oct. 25, 2016, 3 pages.

Jcpak, "Cardboard Sleeves for Food Tray", Cartons and Boxes, Available from Internet, [http://www.jchengpackage.com/Cartons\\_and\\_Boxes/28.html](http://www.jchengpackage.com/Cartons_and_Boxes/28.html), 2018, 02 pages.

Kalifornia Love, "Extra Fruit Sensations Sweet Watermelon", Available at <http://www.kalifornialove.com/2010/07/extra-fruit-sensations-sweet-watermelon.html>, accessed on Nov. 4, 2016, Jul. 28, 2010, 20 pages.

Nearof, "Review: Stride Spark Vitamin Chewing Gum", Available at <http://www.nearof.com/review-stride-spark-vitamin-chewing-gum/>, accessed on Nov. 4, 2016, Sep. 7, 2011, 4 pages.

Placon, "Fresh n Clear Go Cubes Black Insert Tray", <https://www.placon.com/products/stock-food-package/fresh-n-clear-gocubes-black-insert-tray/>, 2016, 2 pages.

Robives, "Curved Lid Box", Nov. 2, 2013, 1 page.

Sabert, "Pulp Divided Taco Tray Insert", Available at <https://www.sabert.com/products/pulp-divided-taco-tray-insert>, Accessed on Mar. 27, 2019, Mar. 27, 2019, 7 pages.

Shutterstock, "Empty Food Tray Sleeve Packaging with Handles and Blueprint Template", Available from Internet, <https://www.shutterstock.com/image-illustration/empty-food-tray-sleeve-packaging-handles-288654425?rid=928534>, 08 pages.

Splash Packaging, "Natural Kraft Windowed Boxes", Available from internet, <https://www.splashpackaging.com/window-bakery-boxes-kraft.html>, Oct. 4, 2014, 1 page.

(56)

**References Cited**

## OTHER PUBLICATIONS

The Delaware Gazette, "Inno-Pak is Staying Put", Available at <https://www.delgazette.com/news/295/inno-pak-is-staying-put>, accessed on Dec. 11, 2015, Jun. 13, 2015, 1 page.

The Dumbbelle, "Fitness Meal Prep Containers for Healthy Living", Available at <https://thedumbbelle.com/fitness-meal-prep-containers/>, accessed on May 3, 2019, 9 pages.

Webstaurant Store, "Cambro 9113CW414 Camwear Teal 9"x11" 3 Compartment Meal Delivery Tray", Available from <URL: <https://www.webstaurantstore.com/cambro-9113cw414-camwear-teal-9-x-11-3-compartment-meal-delivery-tray-case/2149113CWTE.html>>, accessed on Apr. 17, 2017, Mar. 14, 2010, 4 pages.

webstaurantstore.com, "Choice 7 3/4"x5 1/2"x2" Kraft Microwavable Folded Paper #2 Take-Out Container—200/Case", retrieve from web on Nov. 5, 2019, available on <https://www.webstaurantstore.com/choice-8-1-2-x-6-x-2-kraft-microwavable-folded-paper-2-take-out-container-case/795PTOKFT2.html>, 6 pages.

Westrock, "FOLD-PAK—Bio-Plus Earth", retrieved from web on Nov. 5, 2019, available on <http://www.fold-pak.com/products/Bio-PlusEarth.htm>, 2 pages.

Youtube, "Inno-Pak Rigid Microwavable Take Out Containers", Available from <URL: [https://www.youtube.com/watch?v=WolGFg\\_sHsk](https://www.youtube.com/watch?v=WolGFg_sHsk)>, accessed on Feb. 2, 2017, Sep. 17, 2014, 1 page.

International Search Report and Witten Opinion from International Application No. PCT/US2019/030891, dated Jul. 26, 2019, 13 pages.

\* cited by examiner

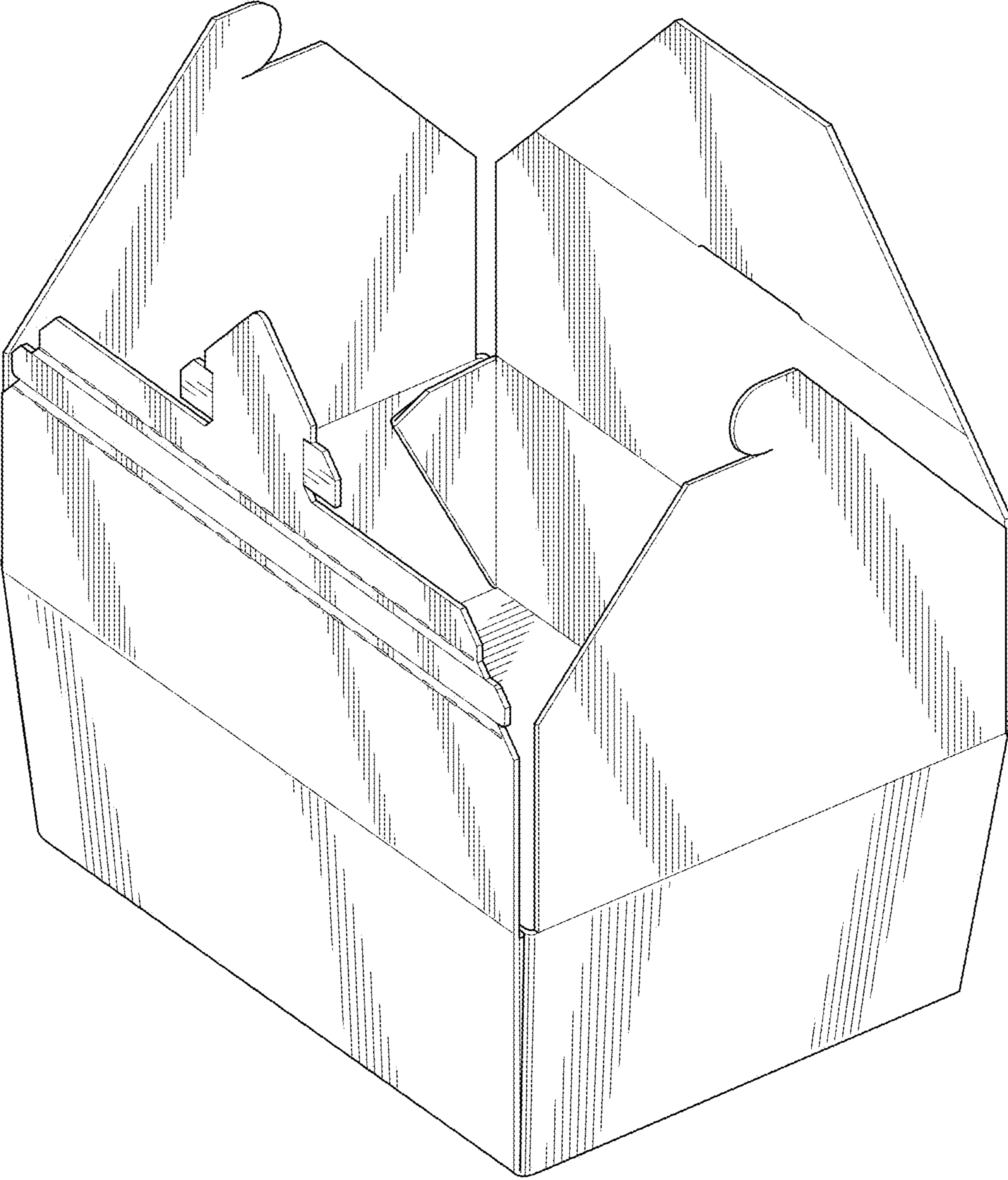


FIG. 1

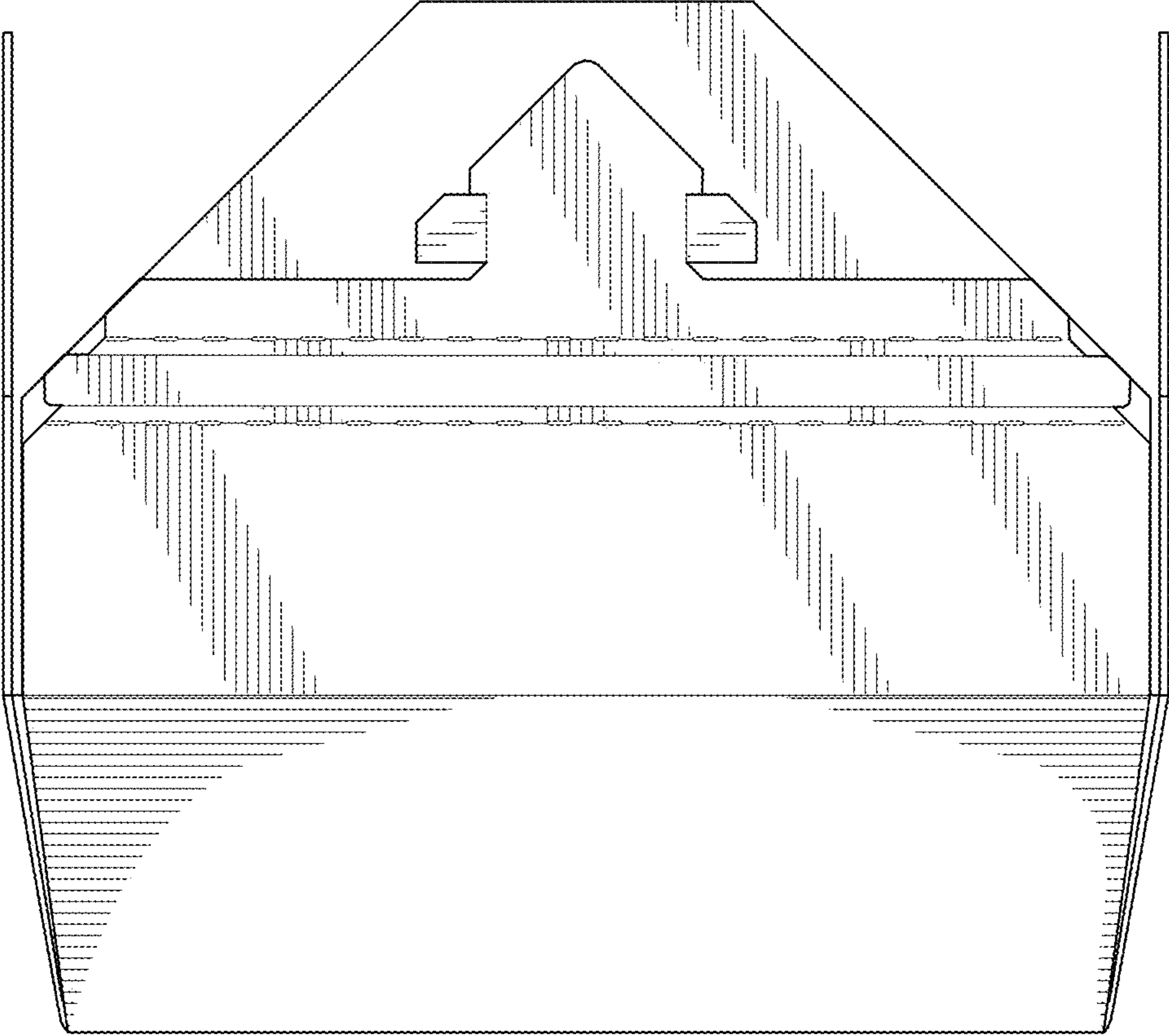


FIG. 2

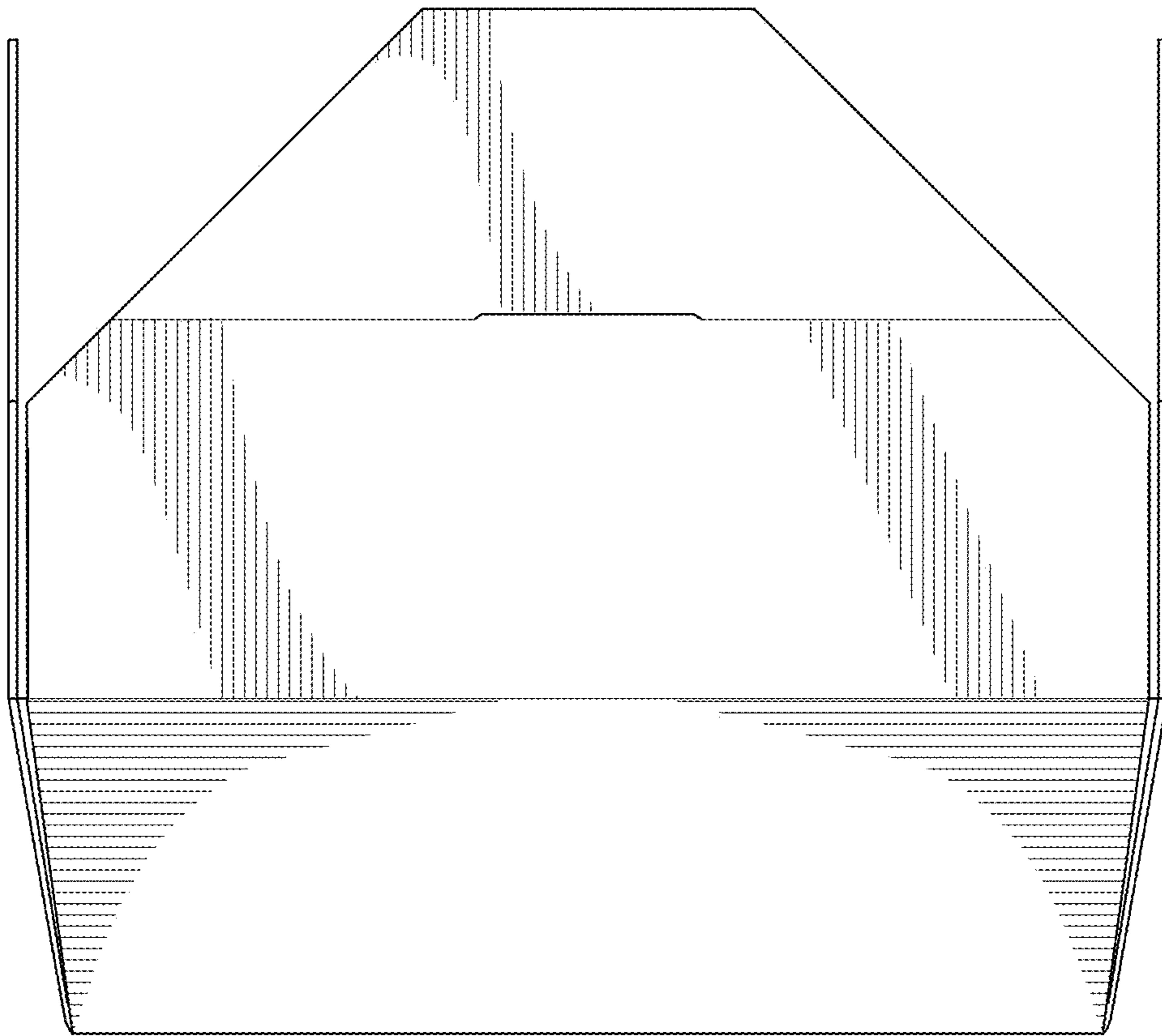


FIG. 3



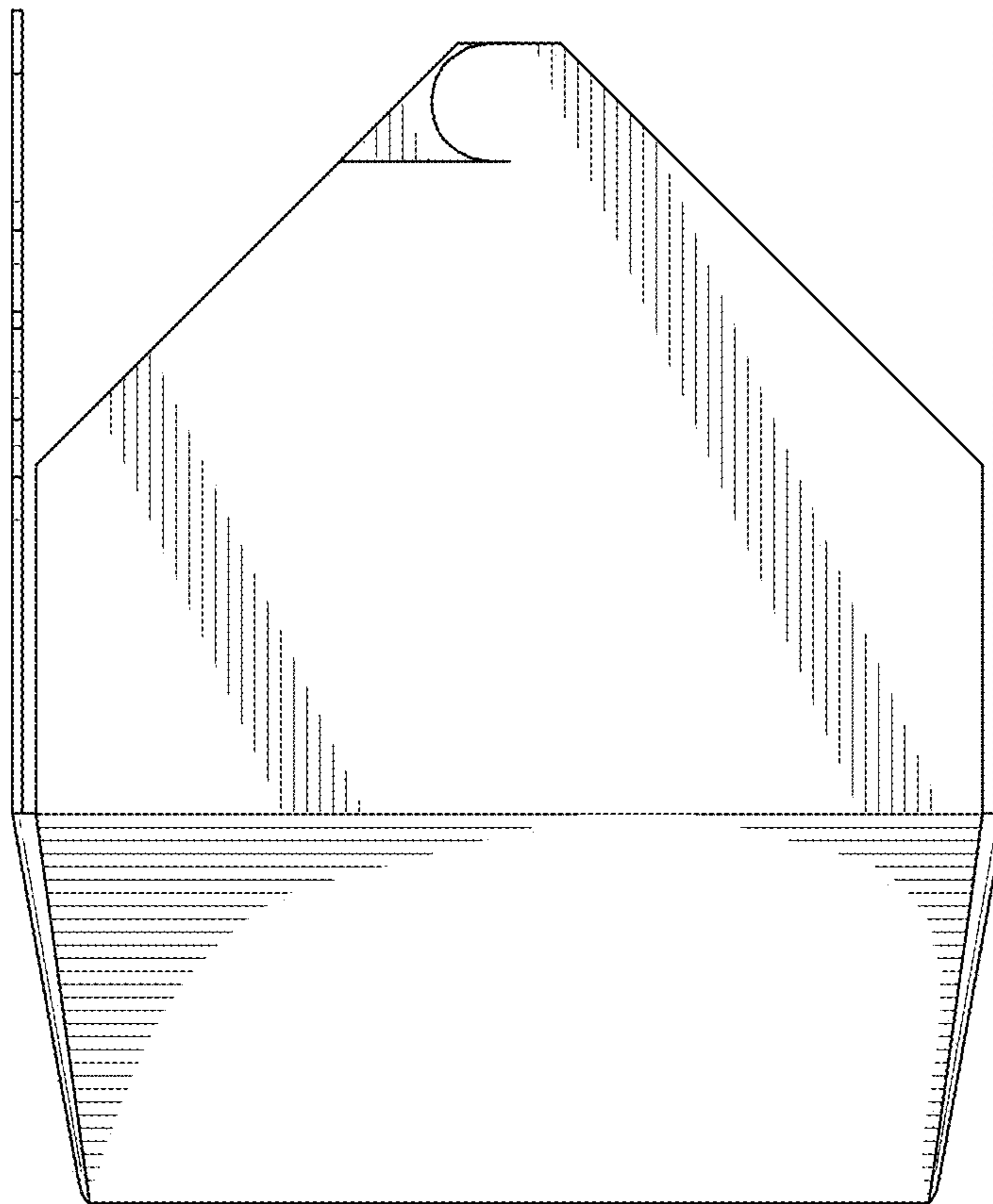


FIG. 4

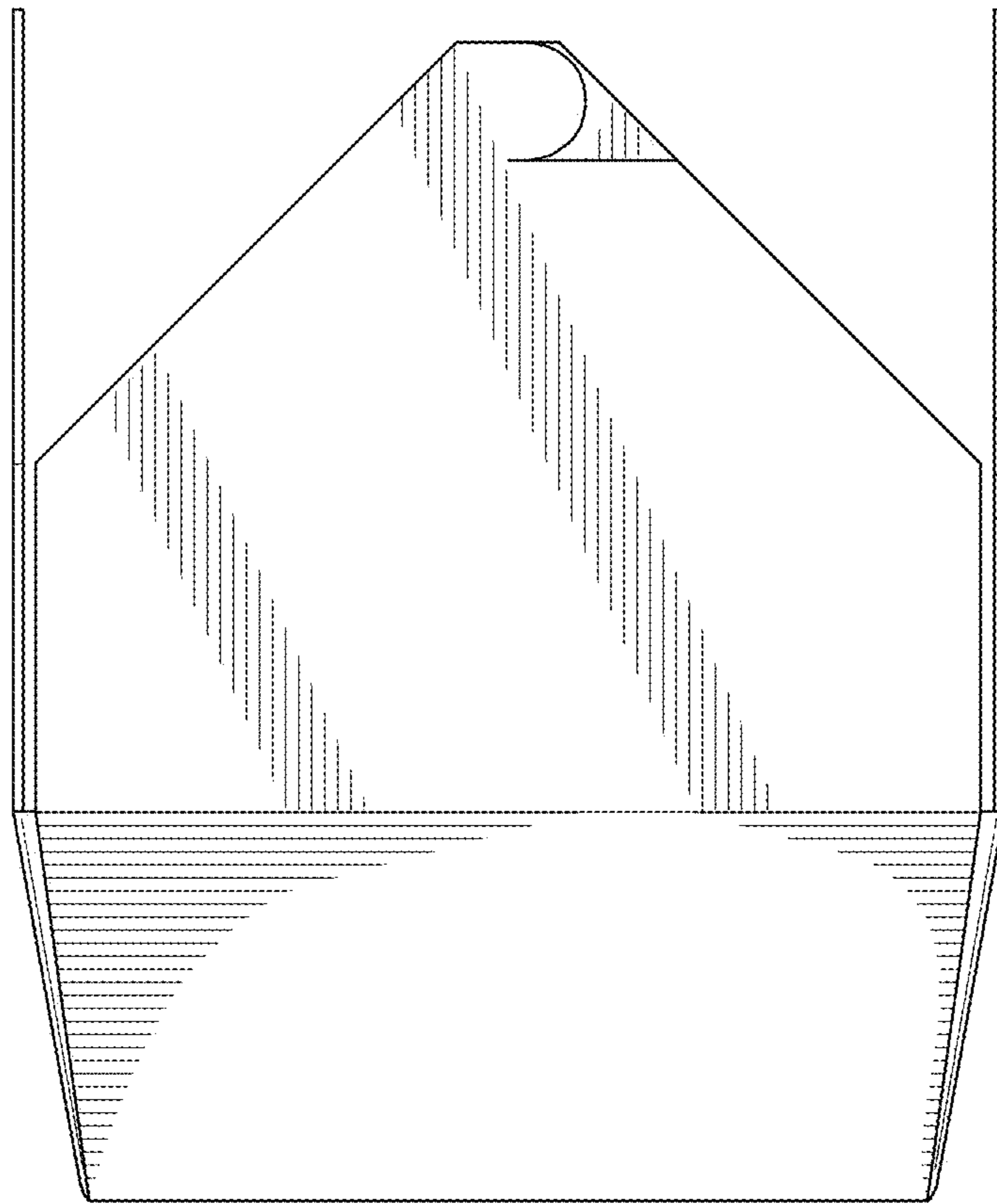


FIG. 5

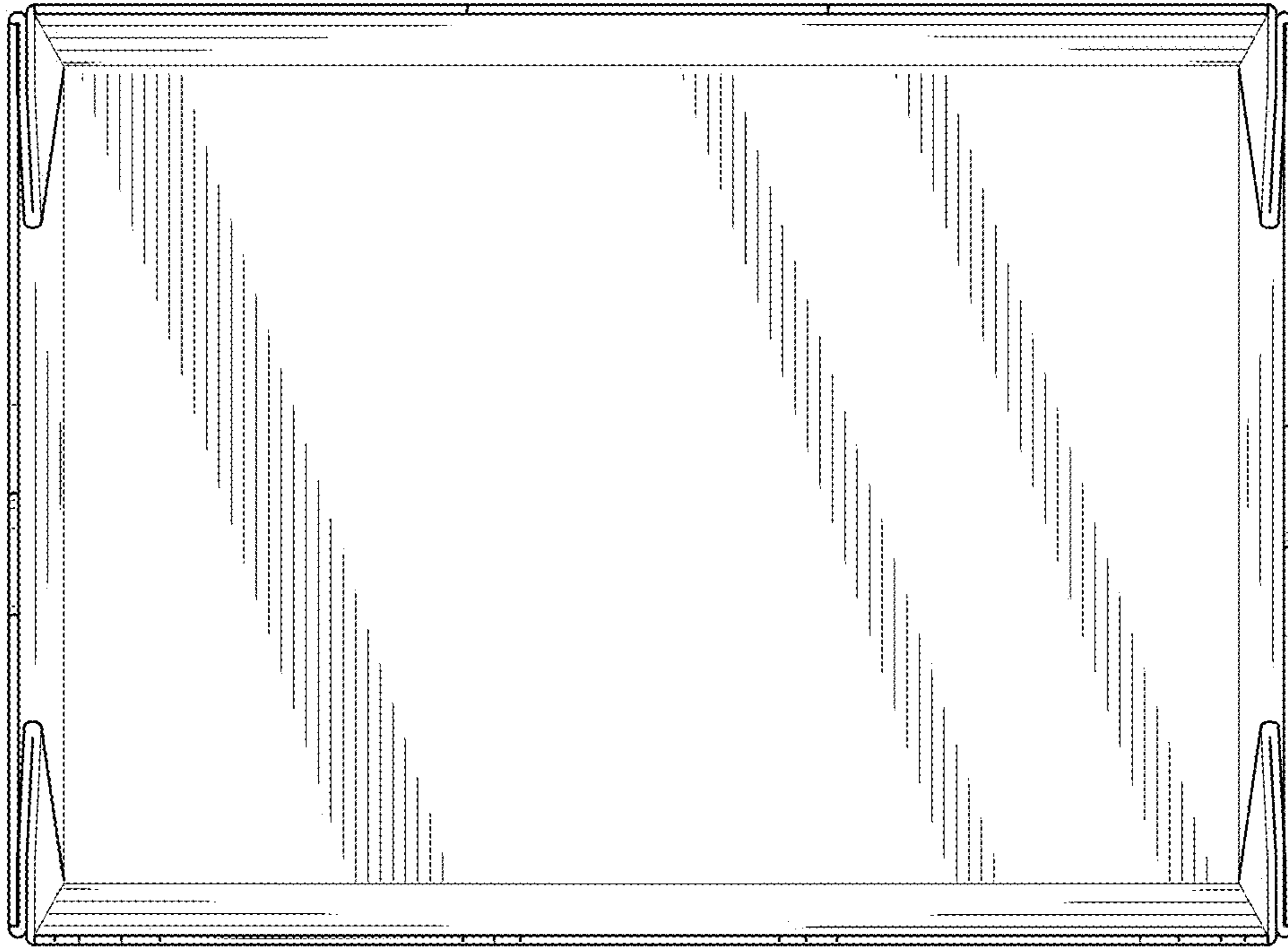


FIG. 6

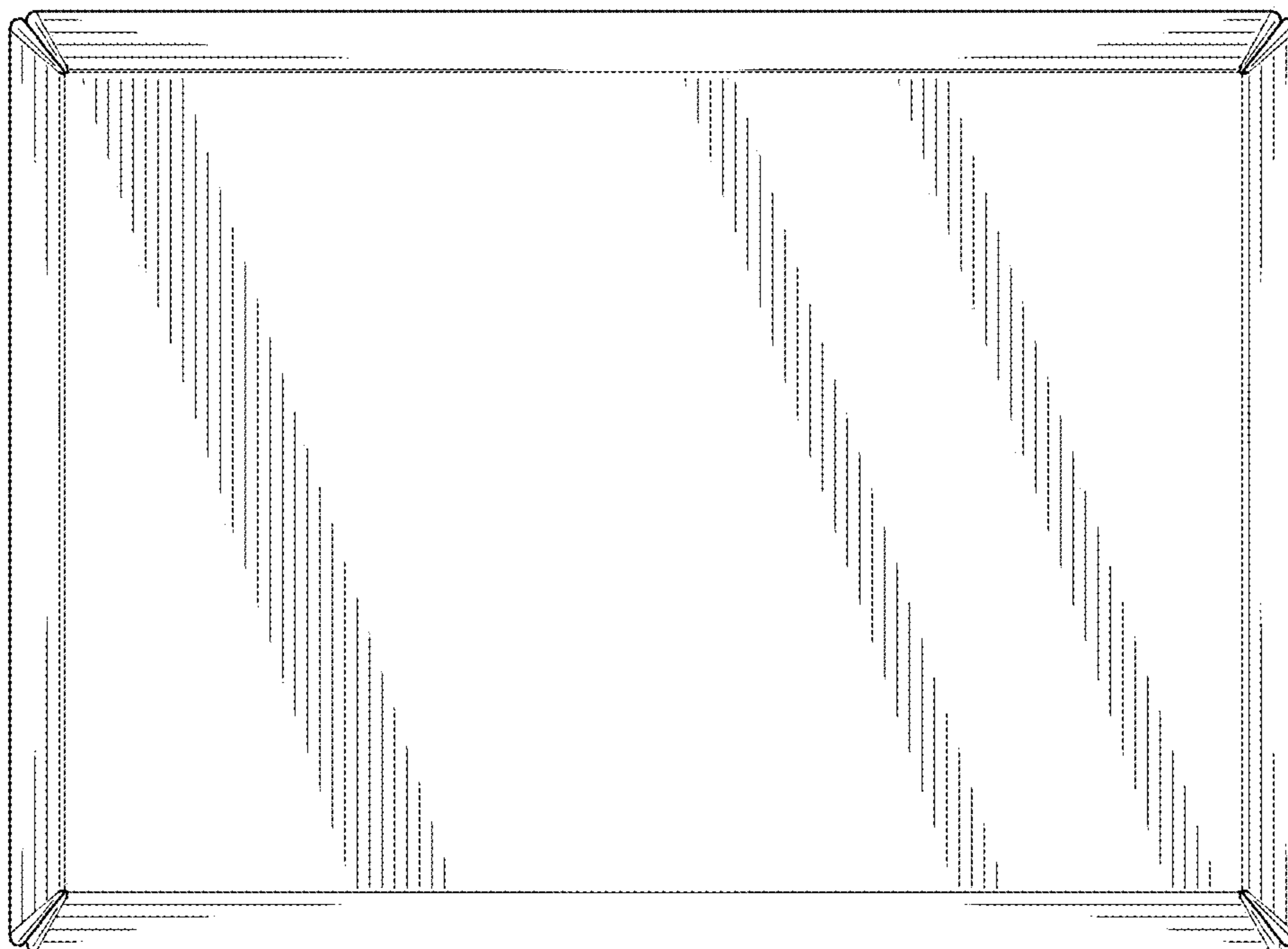


FIG. 7

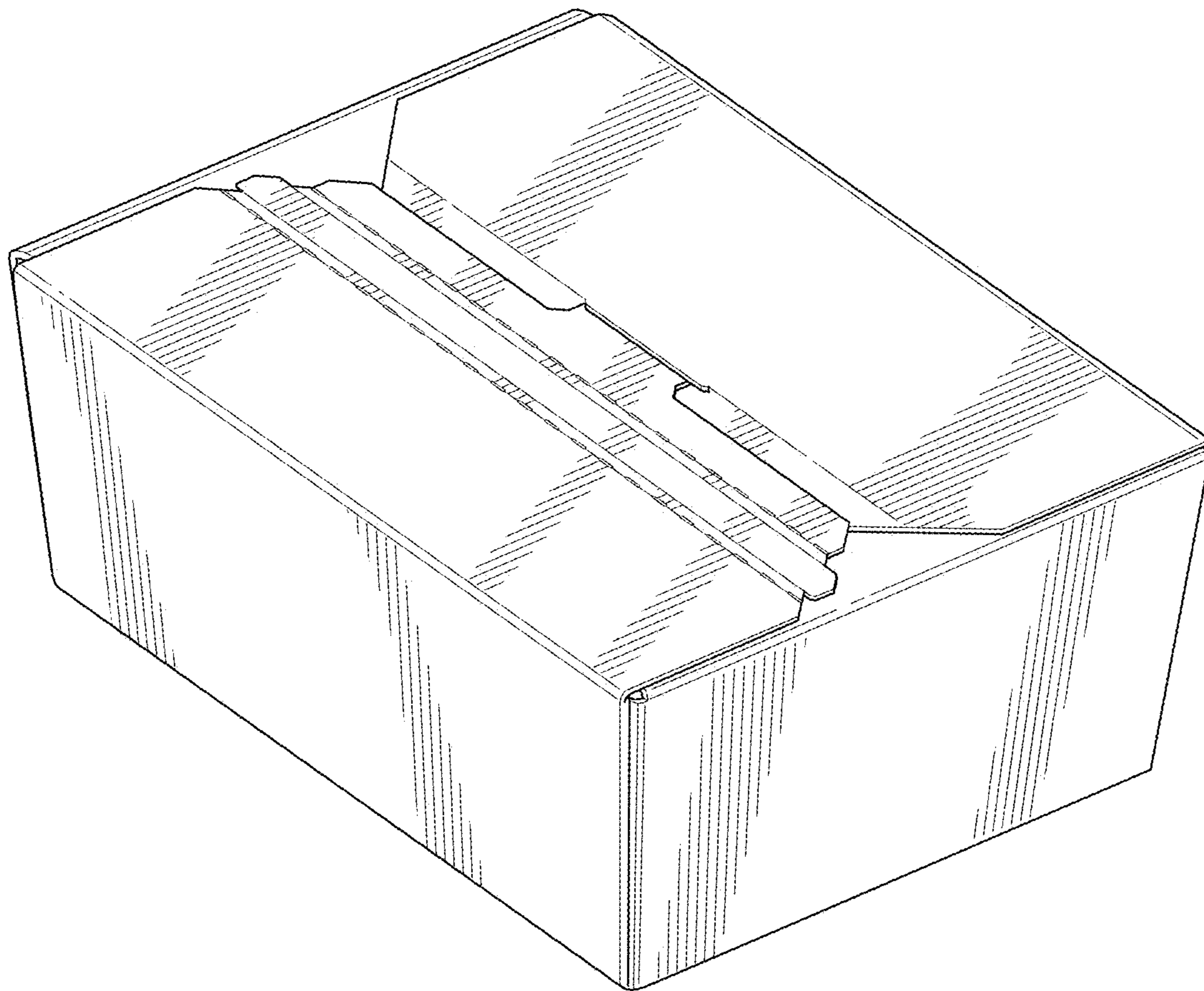


FIG. 8

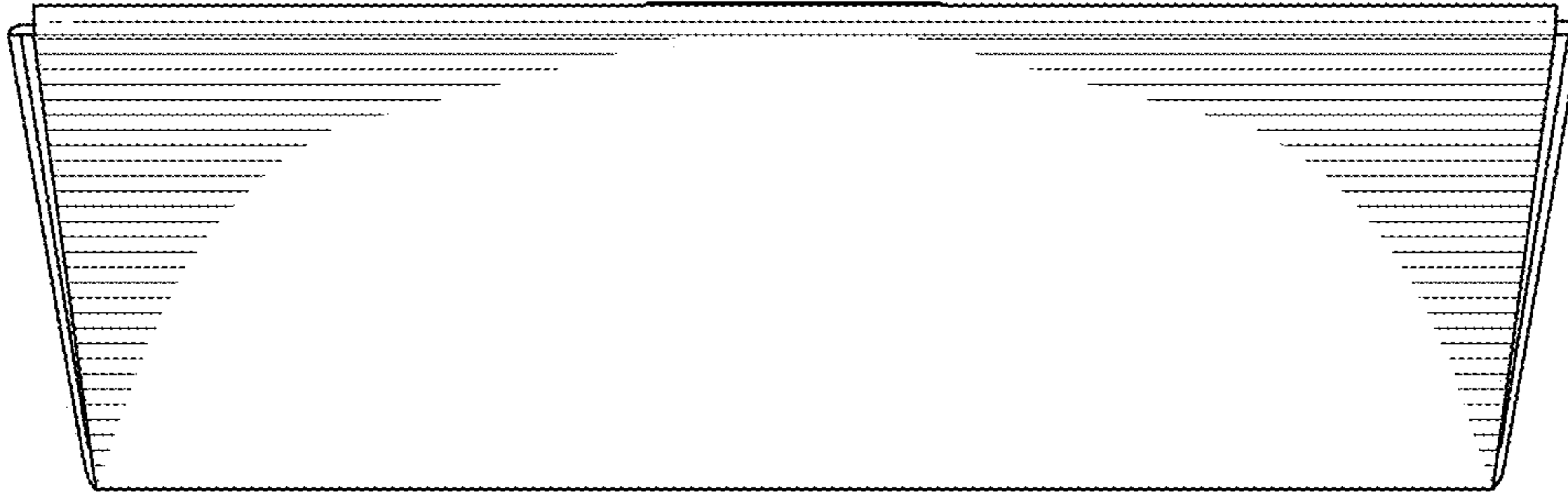


FIG. 9

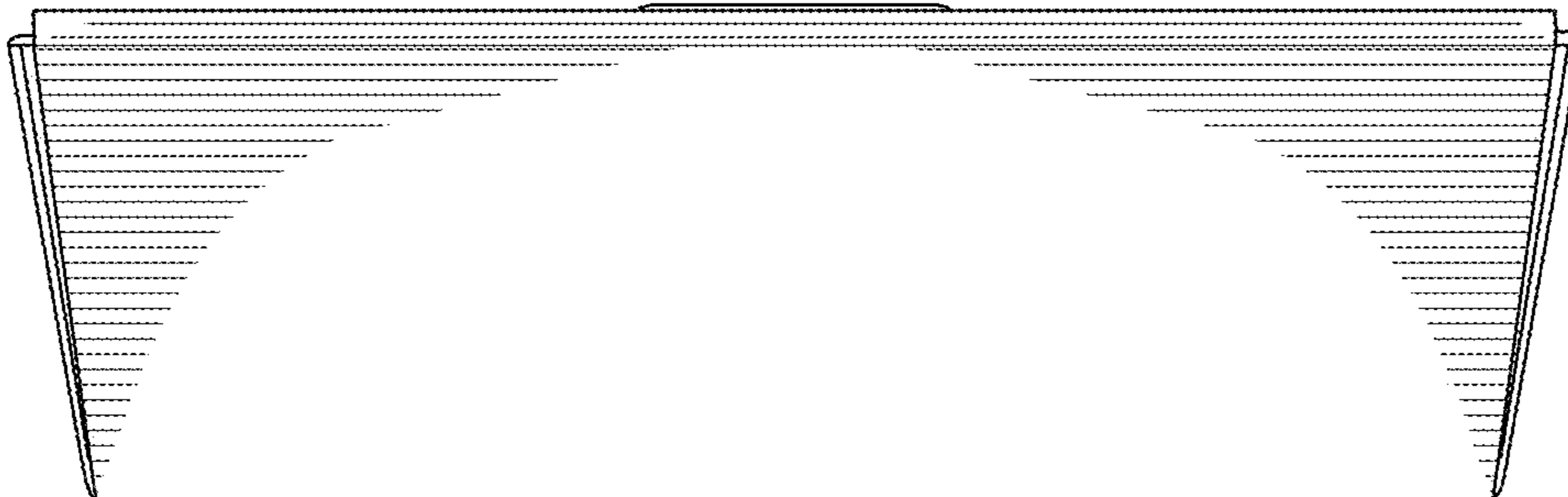


FIG. 10

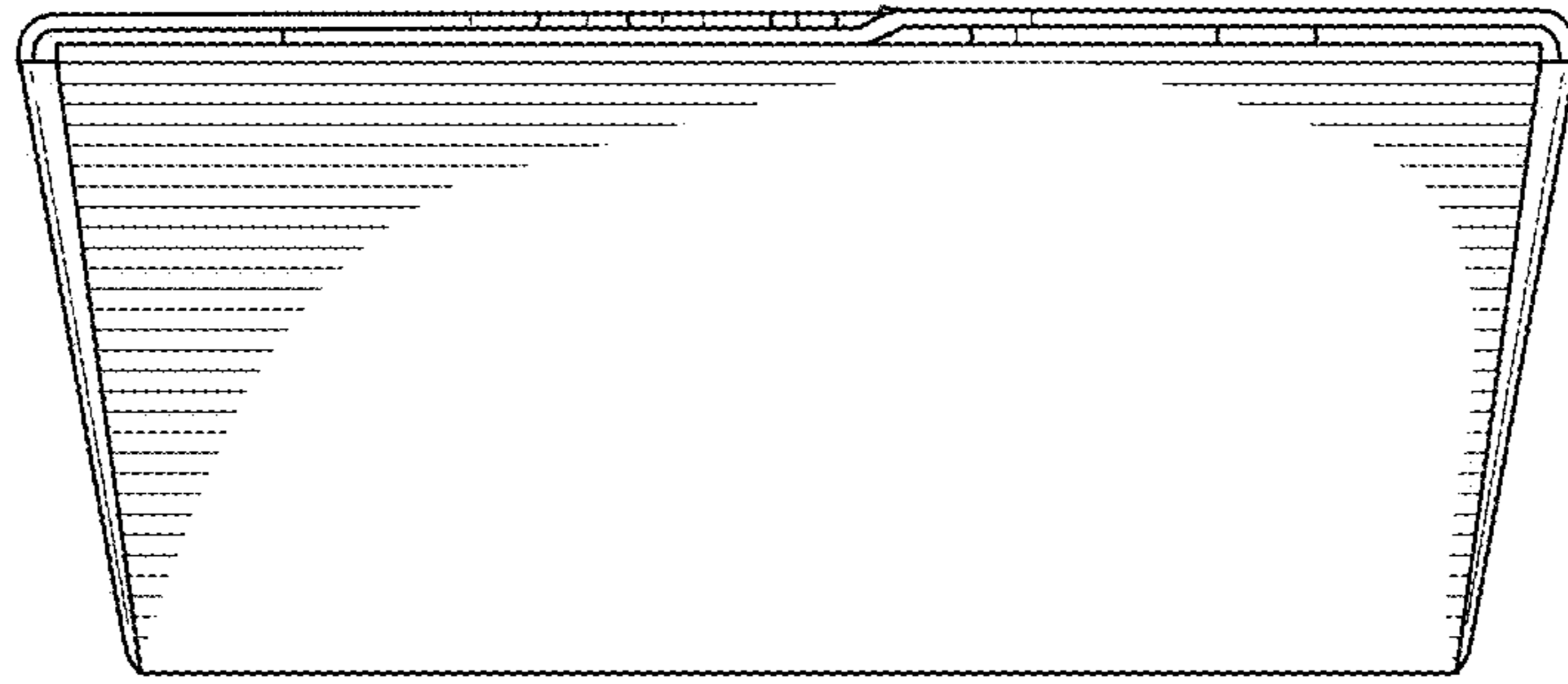


FIG. 11

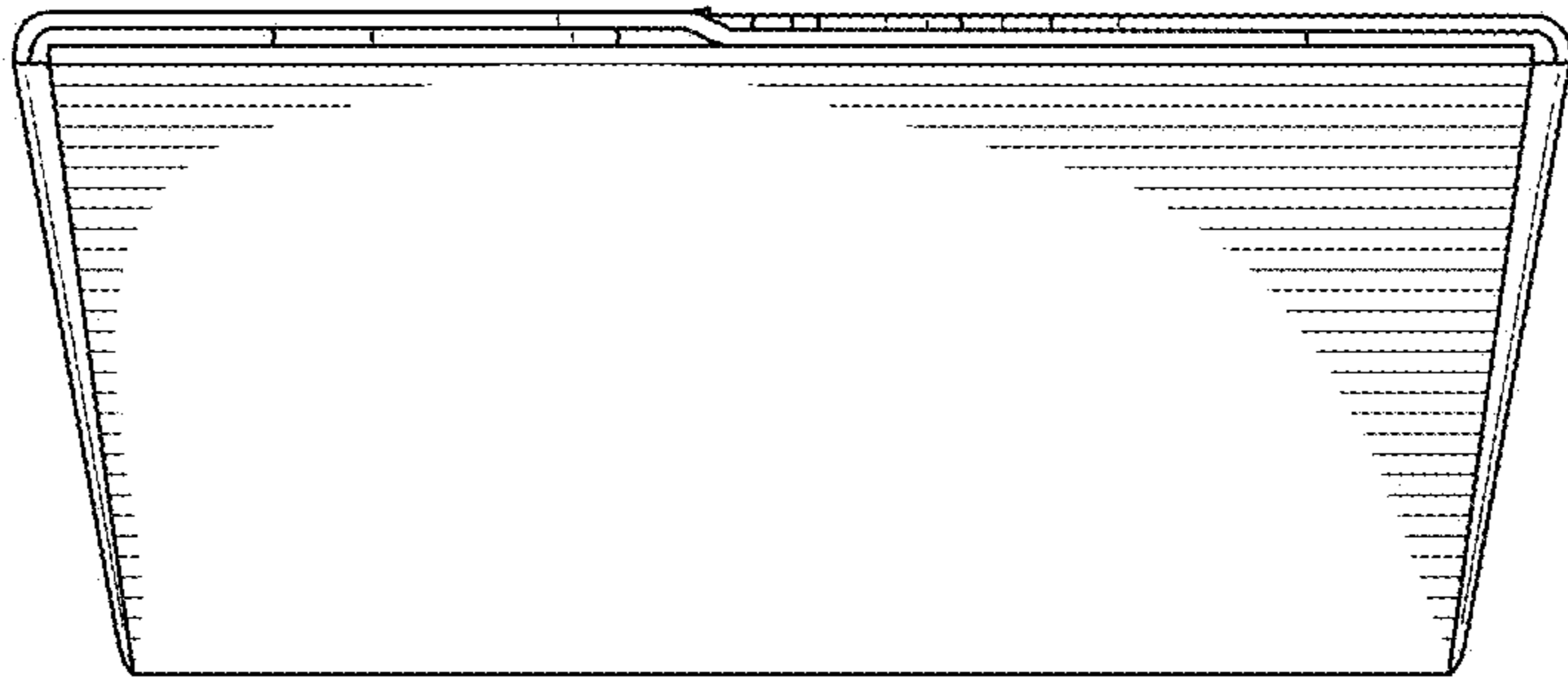


FIG. 12

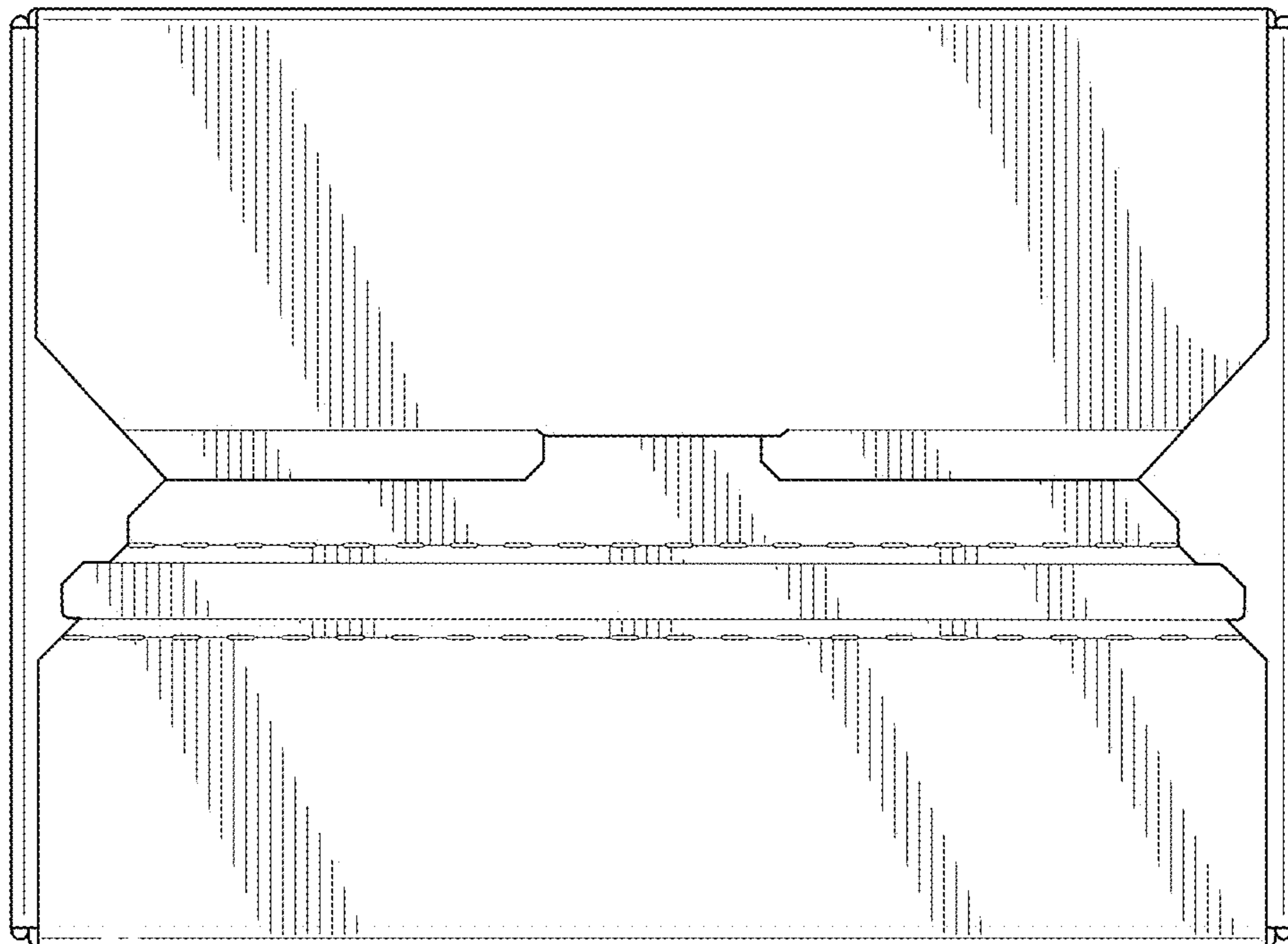


FIG. 13

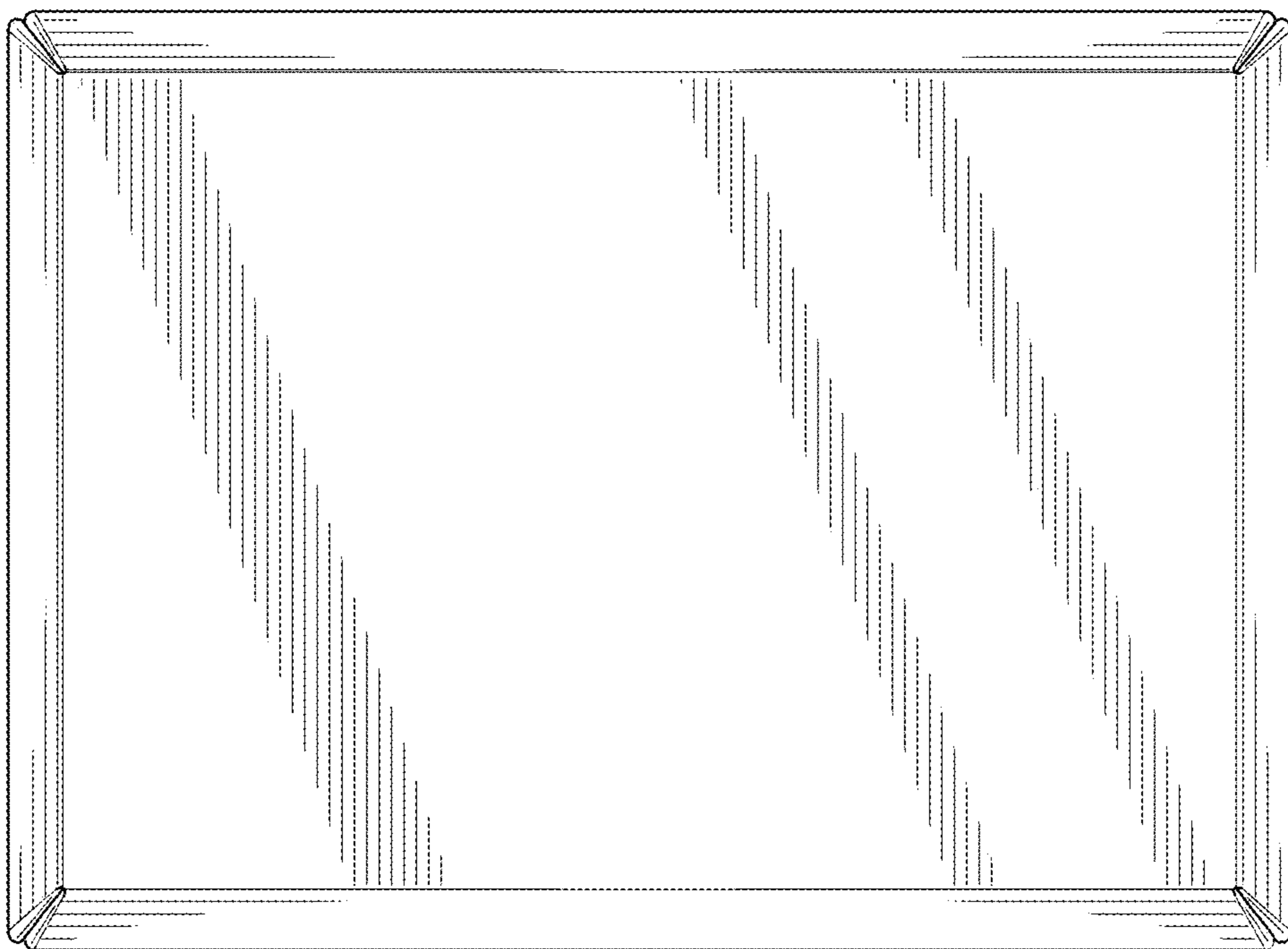


FIG. 14



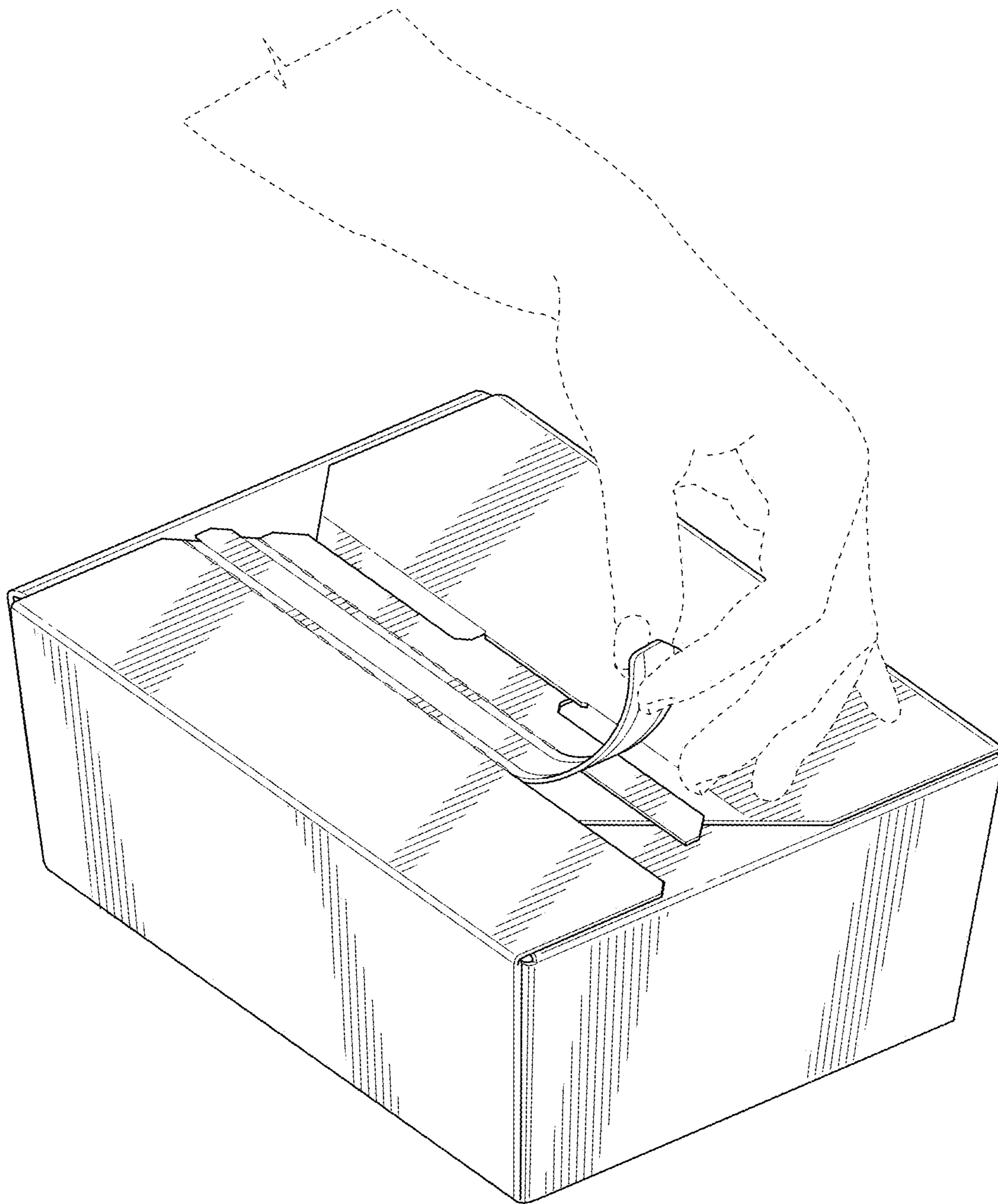


FIG. 15

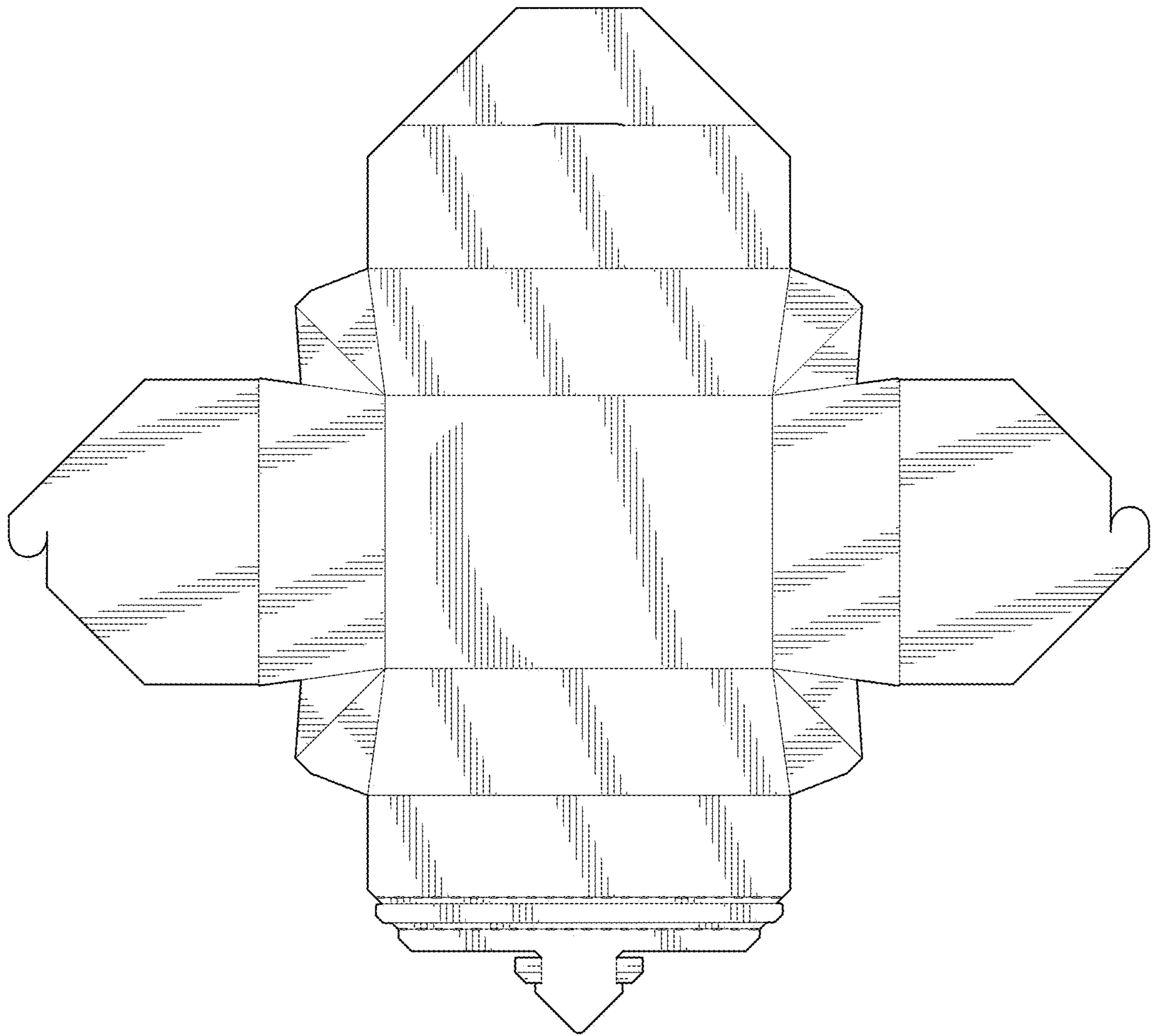


FIG. 16